



US00D467384S

(12) **United States Design Patent**
Cohen Harel

(10) **Patent No.:** **US D467,384 S**

(45) **Date of Patent:** **** Dec. 17, 2002**

(54) **LIGHTER**

D363,808 S * 10/1995 Compte D27/158

(76) **Inventor:** **Yigal Cohen Harel**, Ploennies Street
11, 40885 Ratingen (DE)

* cited by examiner

(**) **Term:** **14 Years**

Primary Examiner—Jennifer Rivard

(21) **Appl. No.:** **29/157,992**

(74) *Attorney, Agent, or Firm*—Cowan, Liebowitz &
Latman, P.C.; R. Lewis Gable

(22) **Filed:** **Mar. 27, 2002**

(57) **CLAIM**

(30) **Foreign Application Priority Data**

The ornamental design for the lighter, as shown and
described.

Sep. 28, 2001 (XH) DM/058 254

DESCRIPTION

(51) **LOC (7) Cl.** **27-05**

FIG. 1 is a top, front and right side perspective view of the
lighter;

(52) **U.S. Cl.** **D27/159**

FIG. 2 is a top plan view of the embodiment of FIG. 1;

(58) **Field of Search** D27/141, 142,
D27/143, 152–155, 157, 159, 160; 431/254–257,
129, 132, 134, 135, 142, 143, 153

FIG. 3 is a bottom plan view of the embodiment of FIG. 1;

FIG. 4 is a right side view of the embodiment of FIG. 1;

FIG. 5 is a front elevation view of the embodiment of FIG.
1;

(56) **References Cited**

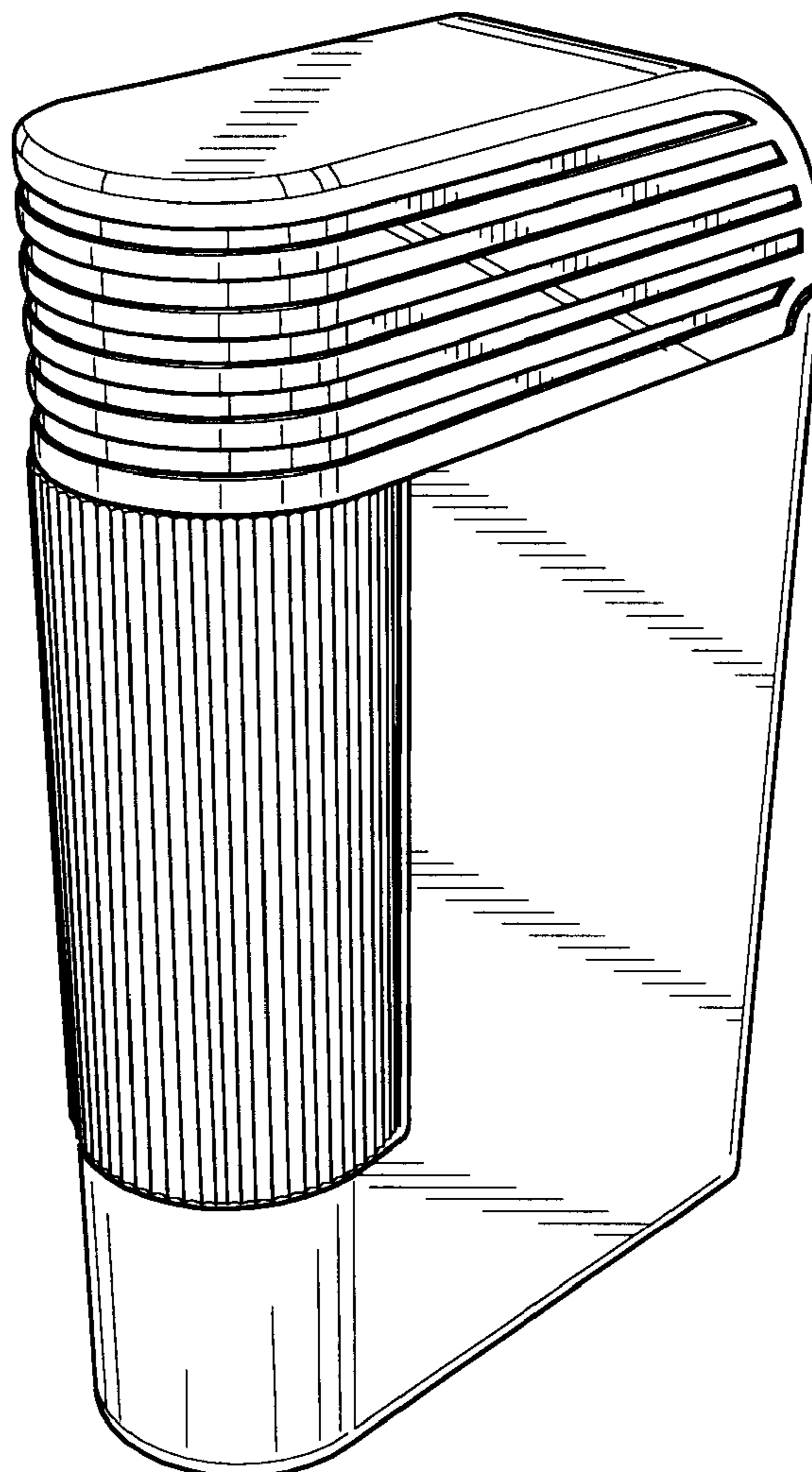
FIG. 6 is a left side view of the embodiment of FIG. 1; and,

FIG. 7 is a back elevation view of the embodiment of FIG.
1.

U.S. PATENT DOCUMENTS

D337,853 S * 7/1993 Bruzzi D27/159

1 Claim, 1 Drawing Sheet



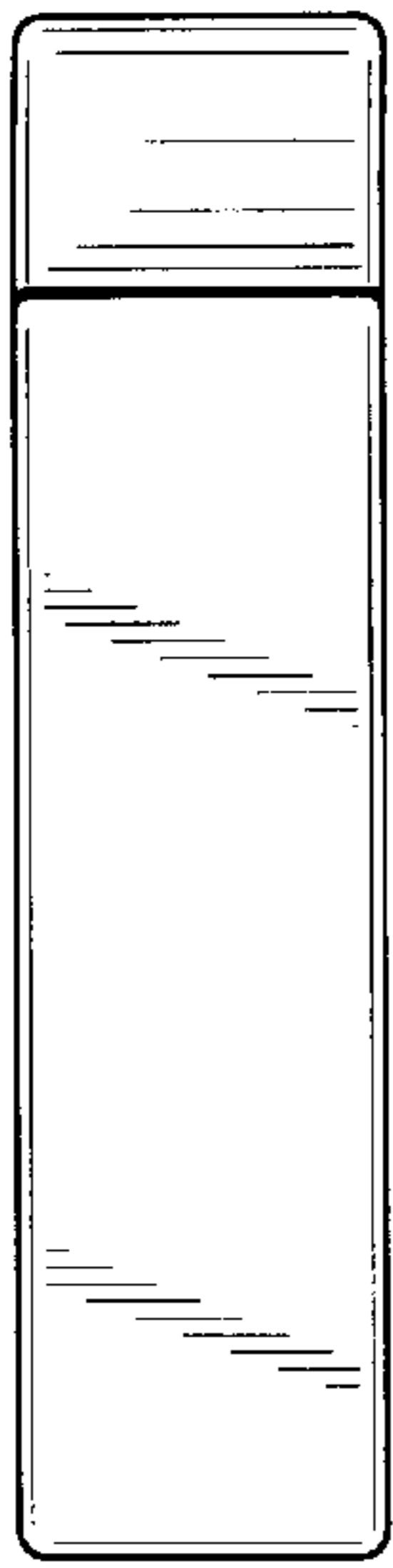


FIG. 7

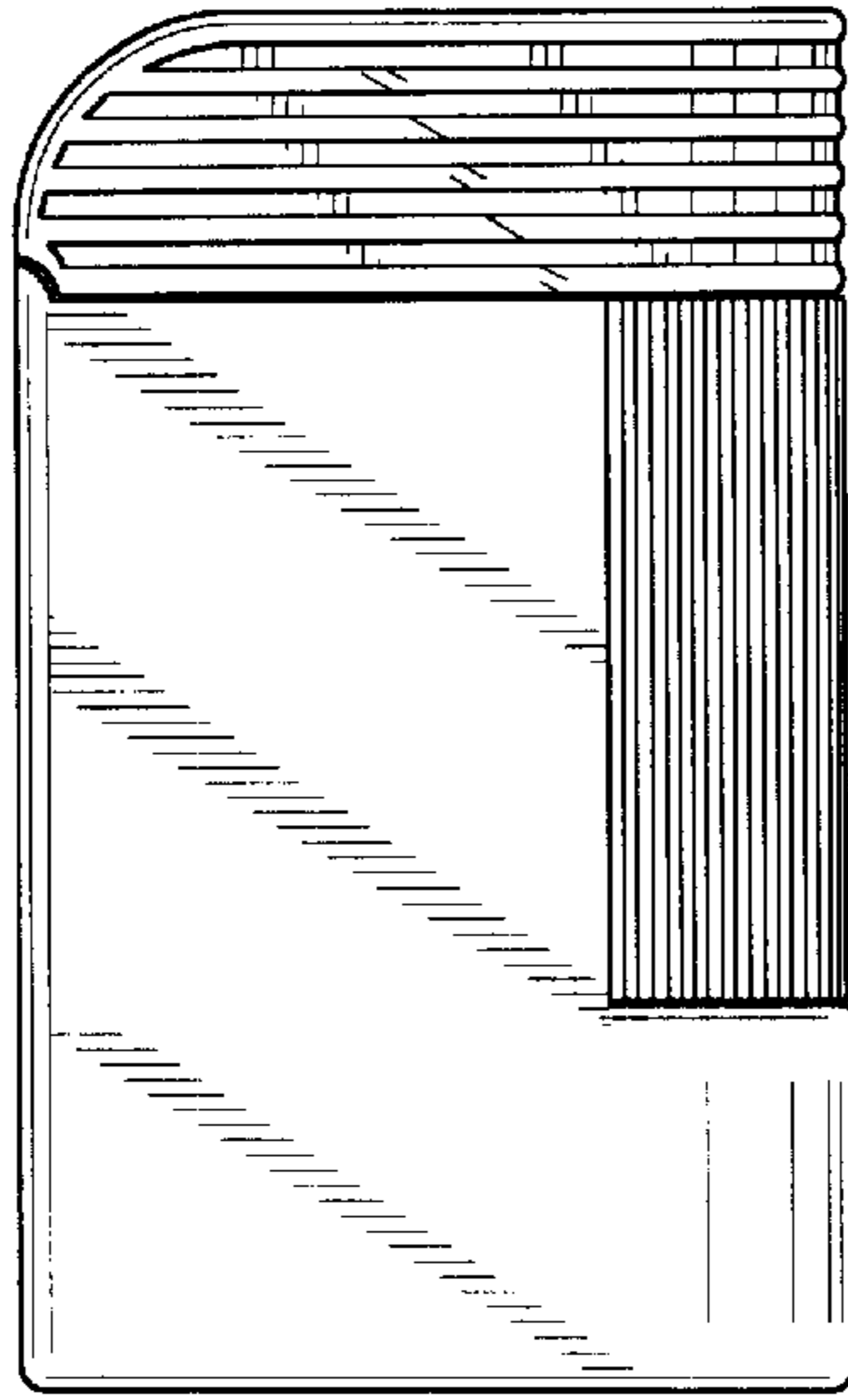


FIG. 6

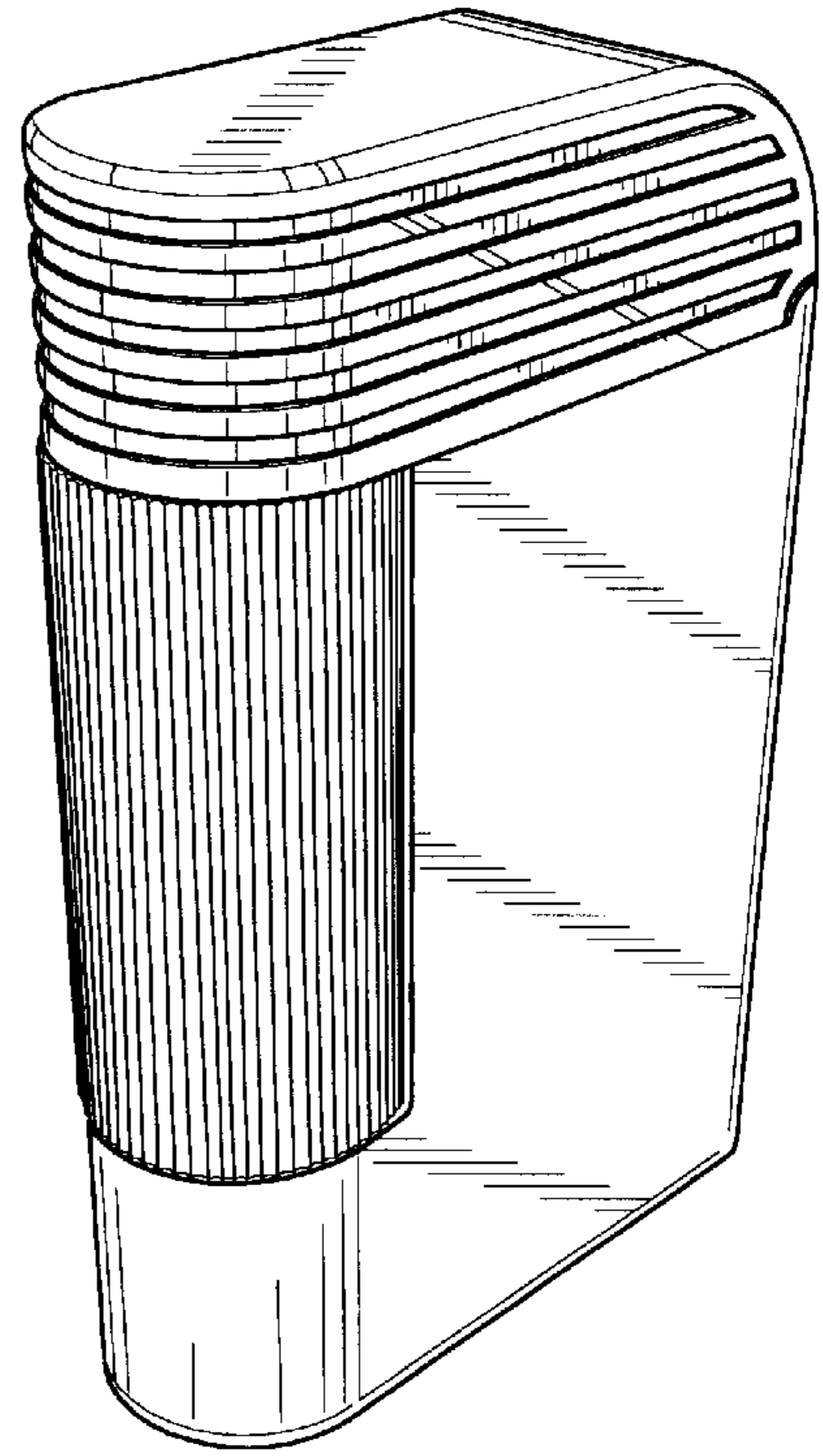


FIG. 1

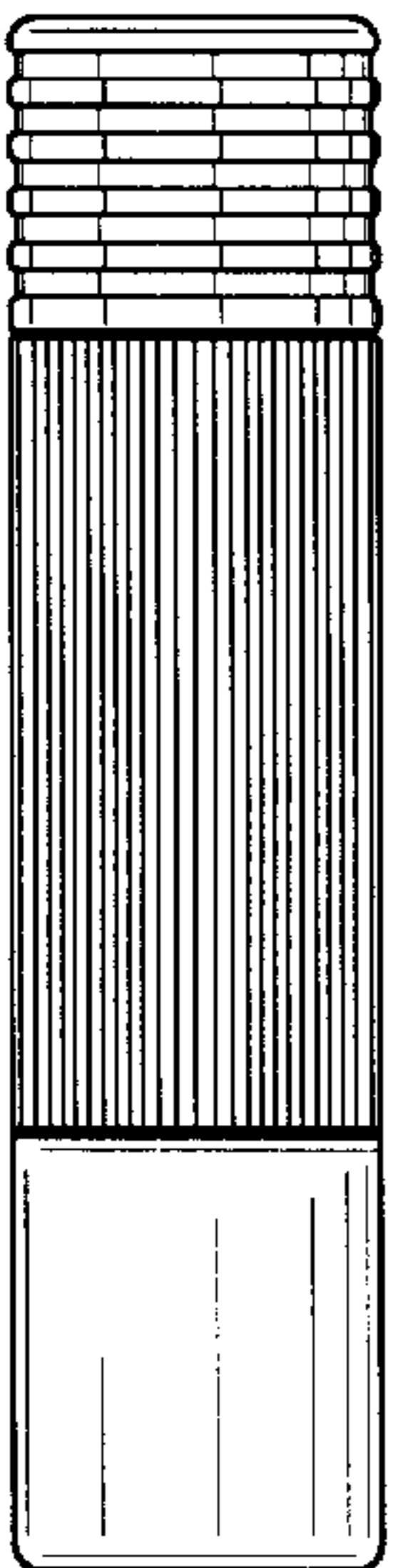


FIG. 5

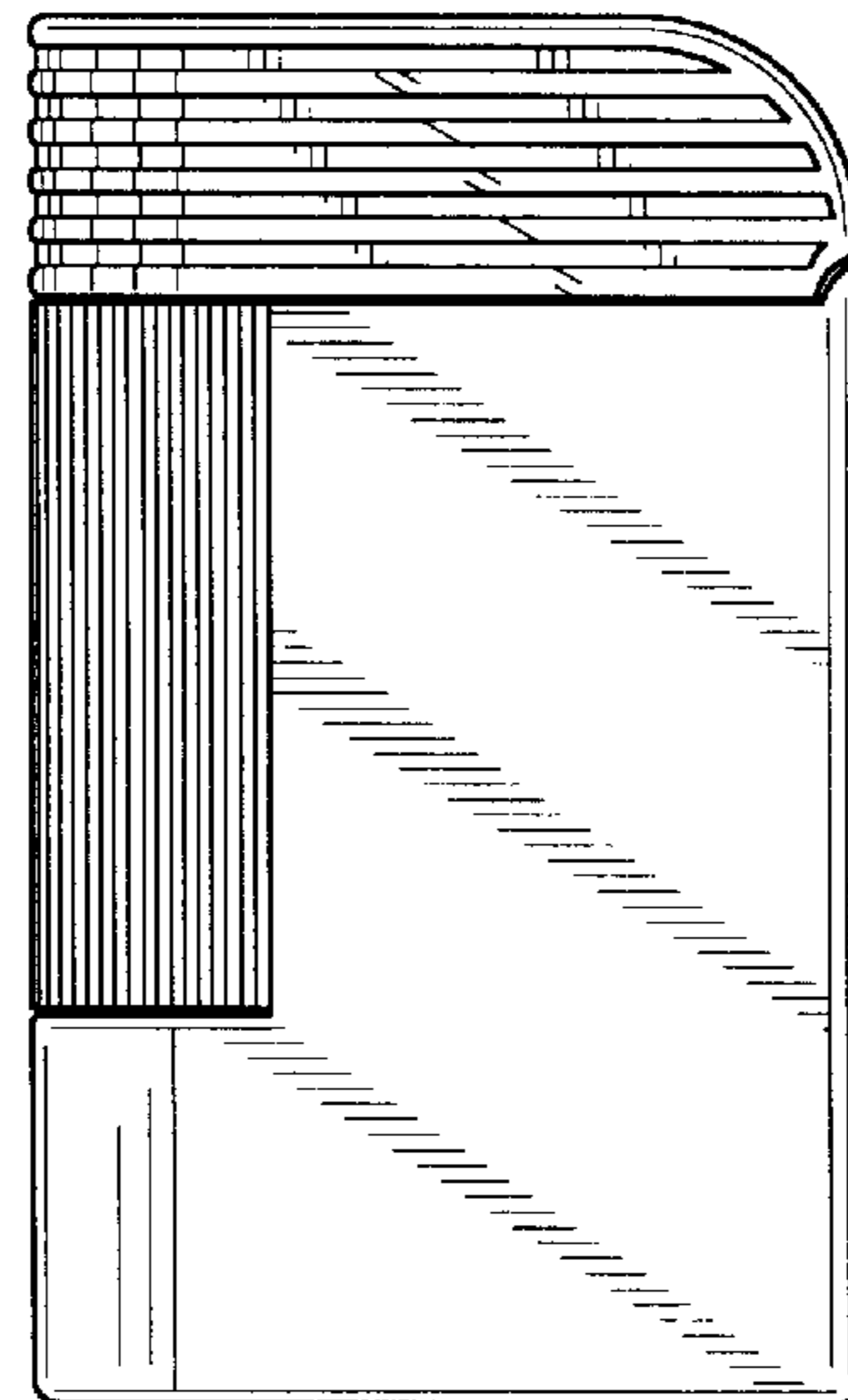


FIG. 4

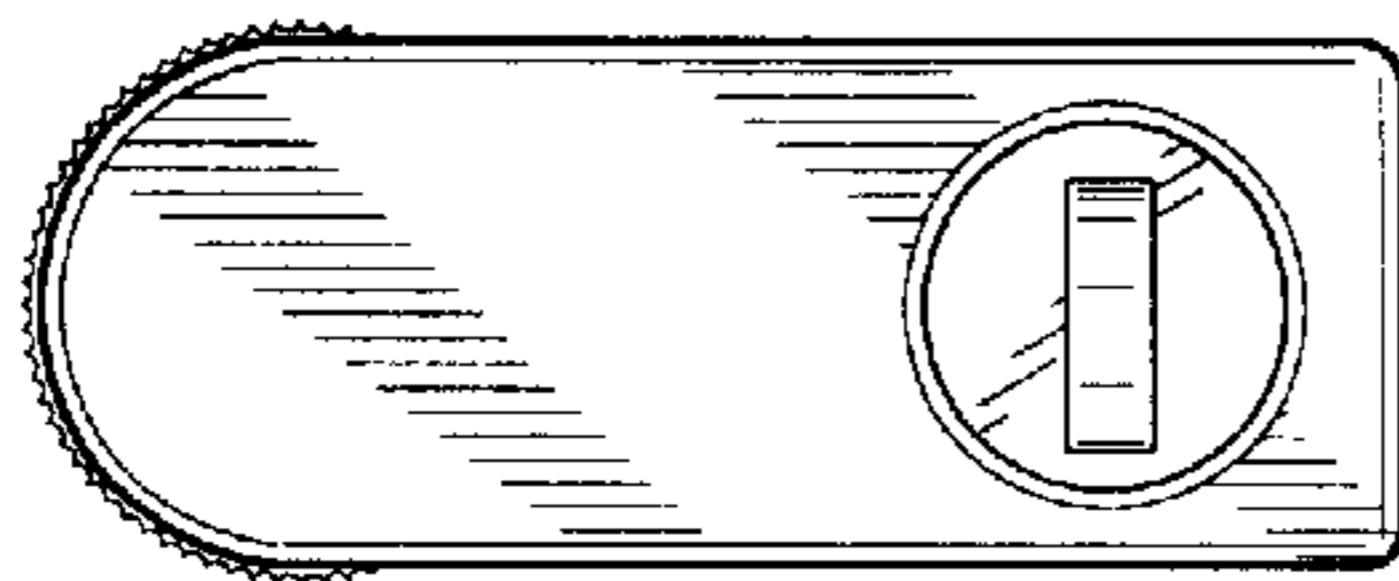


FIG. 3

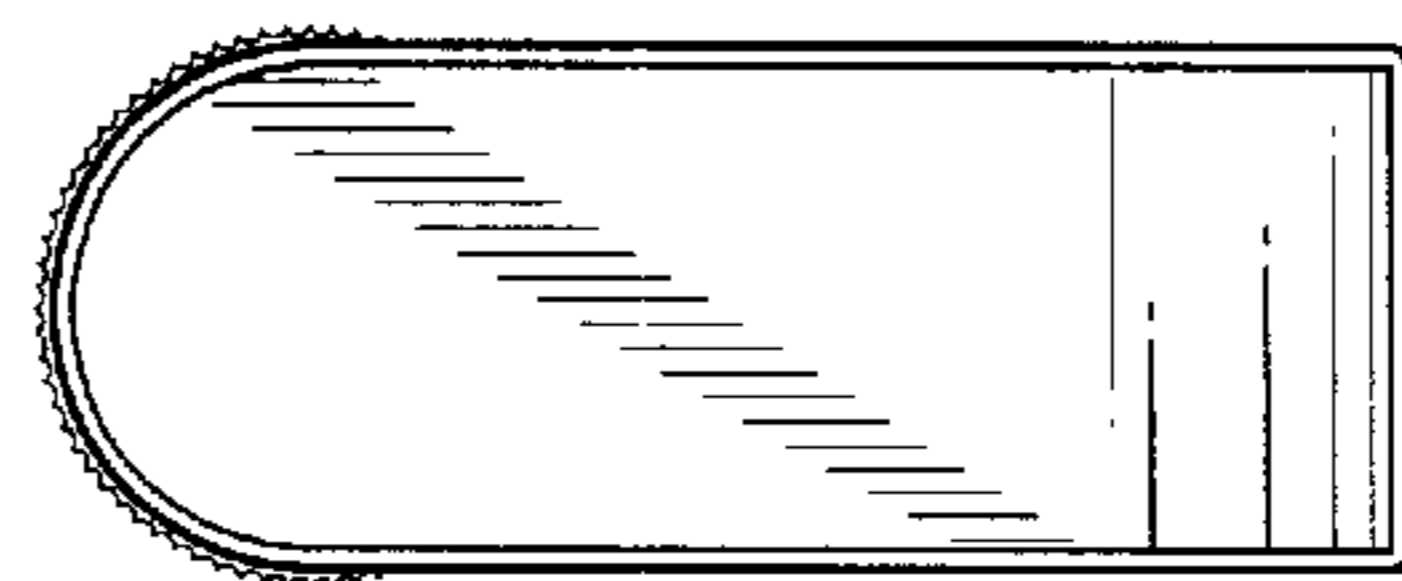


FIG. 2