



US00D467379S

(12) **United States Design Patent**
Hsu

(10) **Patent No.:** **US D467,379 S**

(45) **Date of Patent:** **** Dec. 17, 2002**

(54) **LAMP SHADE**

D347,905 S * 6/1994 Barbour D26/67
D447,591 S * 9/2001 Hsu D26/84

(76) Inventor: **Sam Hsu**, Fl. 11, No. 195, Ning Hsia Road, Taichung (TW)

* cited by examiner

(**) Term: **14 Years**

Primary Examiner—Alan P. Douglas

Assistant Examiner—Clare E. Heflin

(21) Appl. No.: **29/150,990**

(74) *Attorney, Agent, or Firm*—Rosenberg, Klein & Lee

(22) Filed: **Dec. 4, 2001**

(57) **CLAIM**

(51) **LOC (7) Cl.** **26-03**

The ornamental design for a lamp shade, as shown and described.

(52) **U.S. Cl.** **D26/72; D26/85**

DESCRIPTION

(58) **Field of Search** D26/72, 80, 83-92,
D26/67-71; 362/404-408, 147, 310, 326,
341, 346-353, 362, 363

FIG. 1 is a perspective view of lamp shade showing my new design;

FIG. 2 is a front elevation view, the rear elevation view thereof being identical in appearance;

FIG. 3 is a left side elevation view, the right side elevation view thereof being identical in appearance;

FIG. 4 is a top plan view thereof; and,

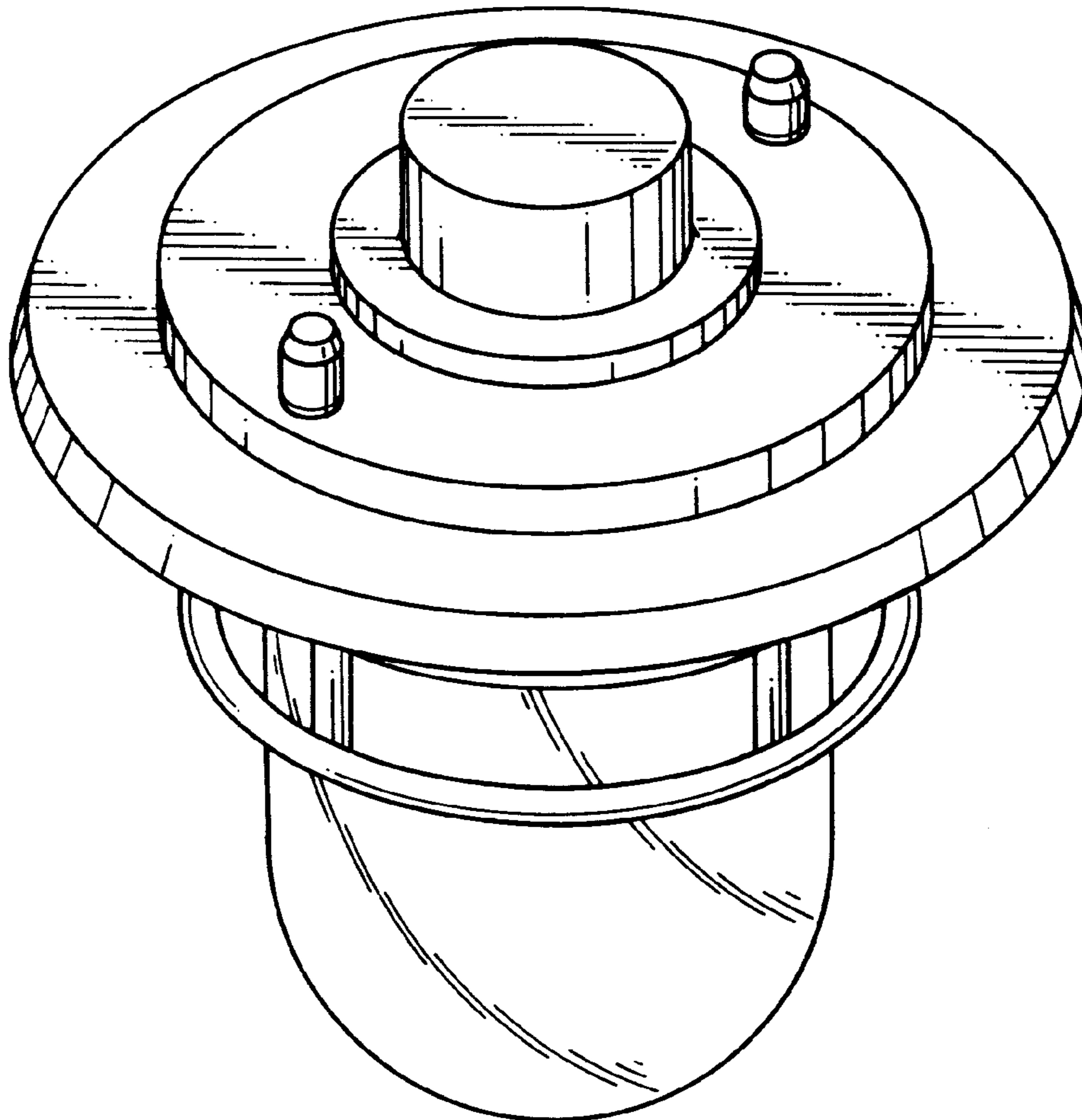
FIG. 5 is a bottom plan view thereof.

(56) **References Cited**

U.S. PATENT DOCUMENTS

D113,501 S * 2/1939 Alm et al. D26/86
D248,503 S * 7/1978 Grindle D26/67
D300,372 S * 3/1989 O'Dohanue et al. D26/67
D300,373 S * 3/1989 Galipeau et al. D26/67

1 Claim, 3 Drawing Sheets



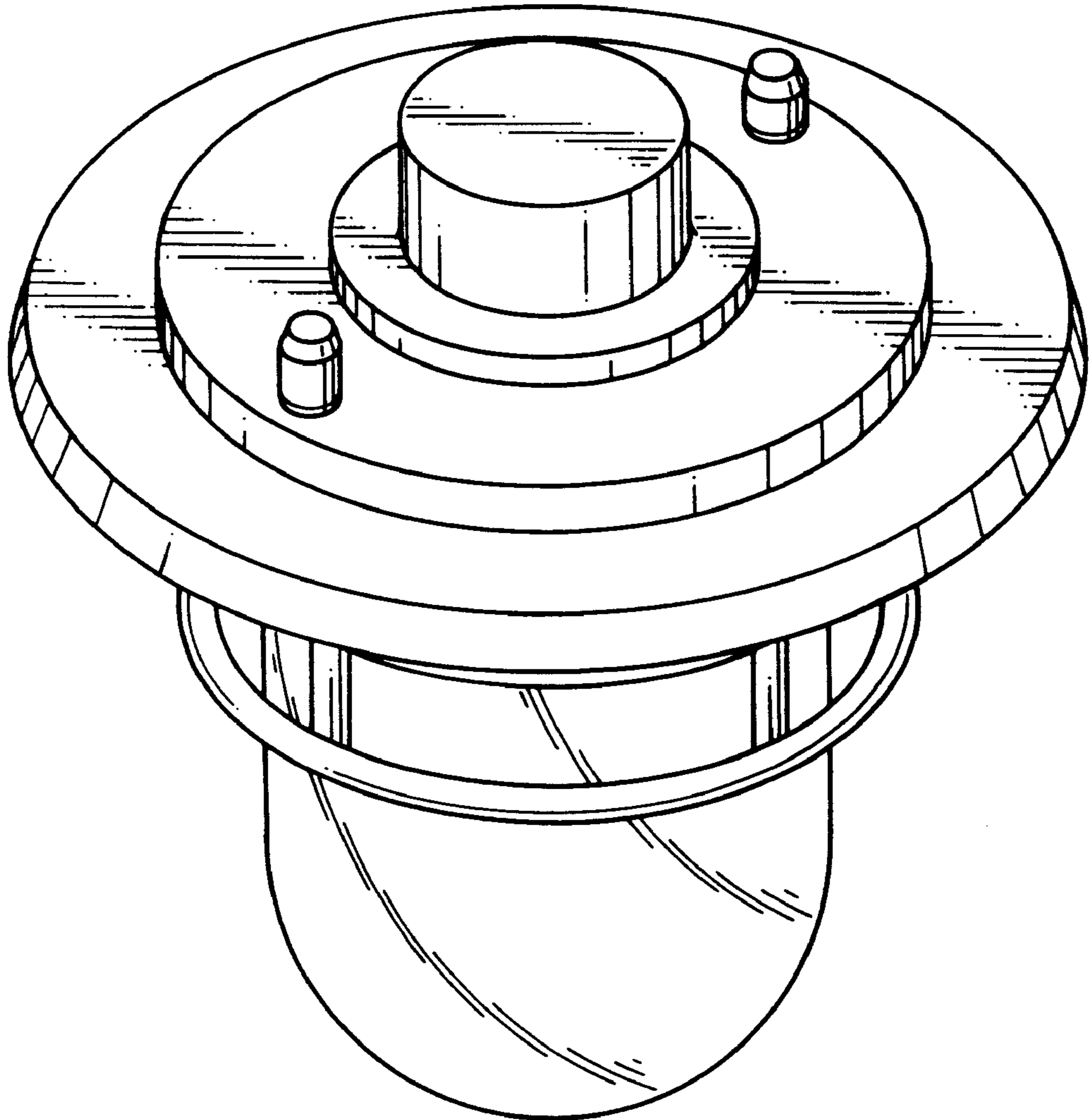


FIG. 1

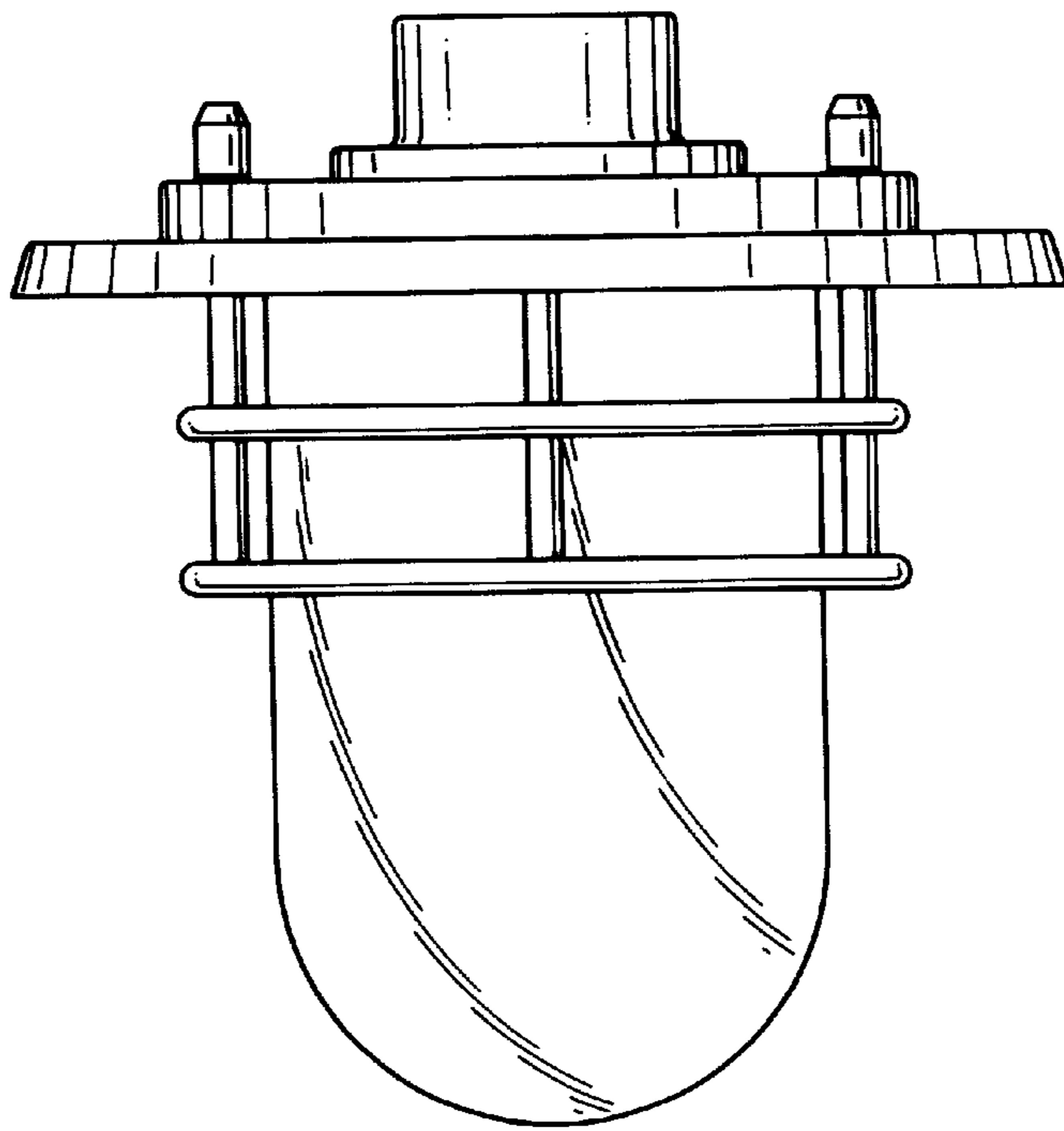


FIG. 2

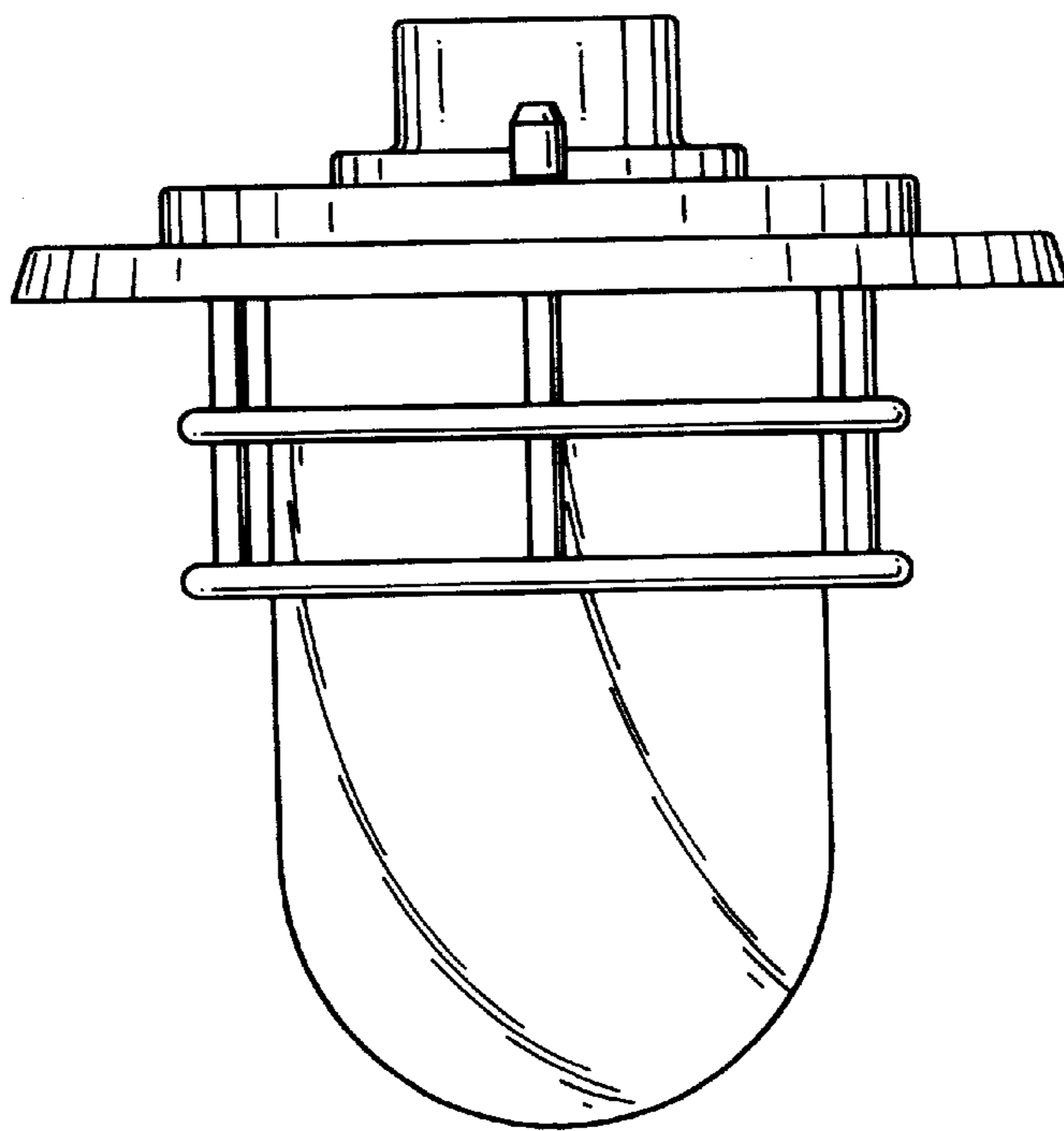


FIG. 3

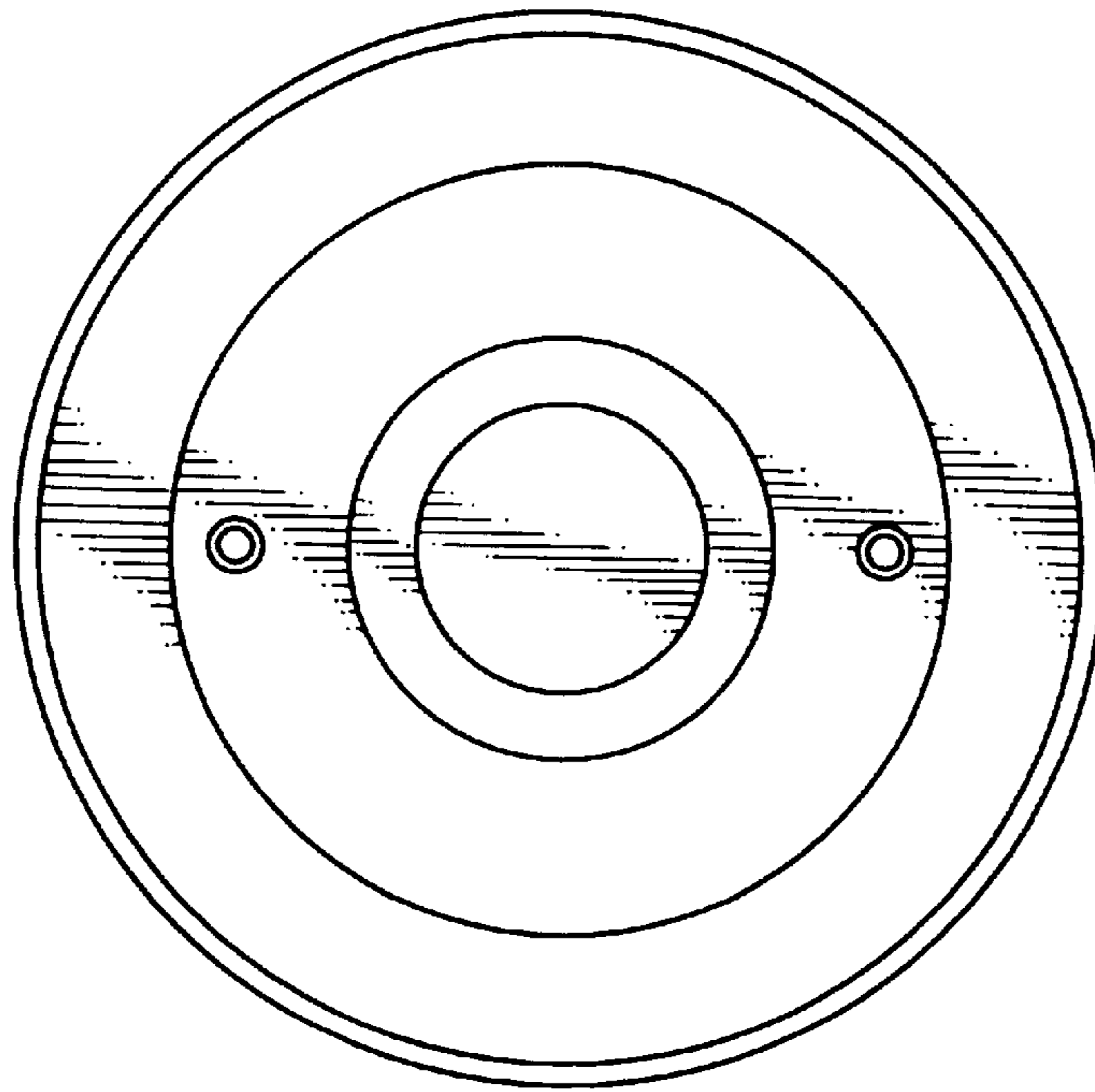


FIG. 4

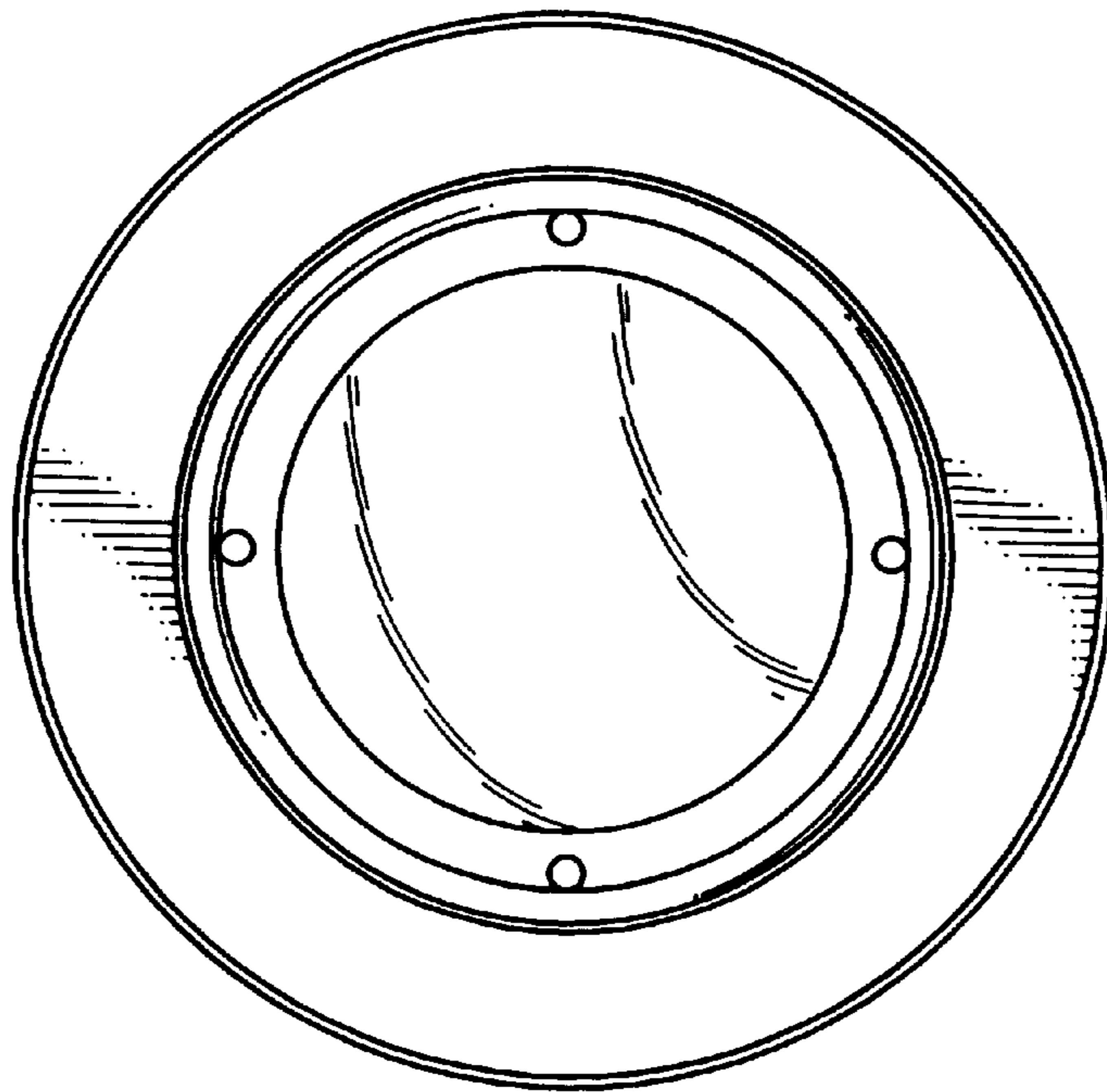


FIG. 5