



US00D467378S

(12) **United States Design Patent**  
**Wang**

(10) **Patent No.:** **US D467,378 S**

(45) **Date of Patent:** **\*\* Dec. 17, 2002**

(54) **DESK LAMP**

(76) **Inventor:** **Ying-Hsia Wang**, P.O. Box 82-144,  
Taipei (TW)

(\*\*) **Term:** **14 Years**

(21) **Appl. No.:** **29/150,203**

(22) **Filed:** **Nov. 13, 2001**

(51) **LOC (7) Cl.** ..... **26-05**

(52) **U.S. Cl.** ..... **D26/65**

(58) **Field of Search** ..... D26/61-66, 93-112;  
362/269, 277-289, 401, 402, 413, 418,  
419

(56) **References Cited**

**U.S. PATENT DOCUMENTS**

- D330,776 S \* 11/1992 Cvek ..... D26/65
- D333,360 S \* 2/1993 Huang ..... D26/65
- 5,339,233 A \* 8/1994 Yang ..... 362/402

\* cited by examiner

*Primary Examiner*—Alan P. Douglas

*Assistant Examiner*—Linda Brooks

(74) *Attorney, Agent, or Firm*—Leong C. Lei

(57) **CLAIM**

The ornamental design for a desk lamp, as shown and described.

**DESCRIPTION**

FIG. 1 is a perspective view of a desk lamp showing my new design;

FIG. 2 is a left side elevation view thereof;

FIG. 3 is a right side elevation view thereof;

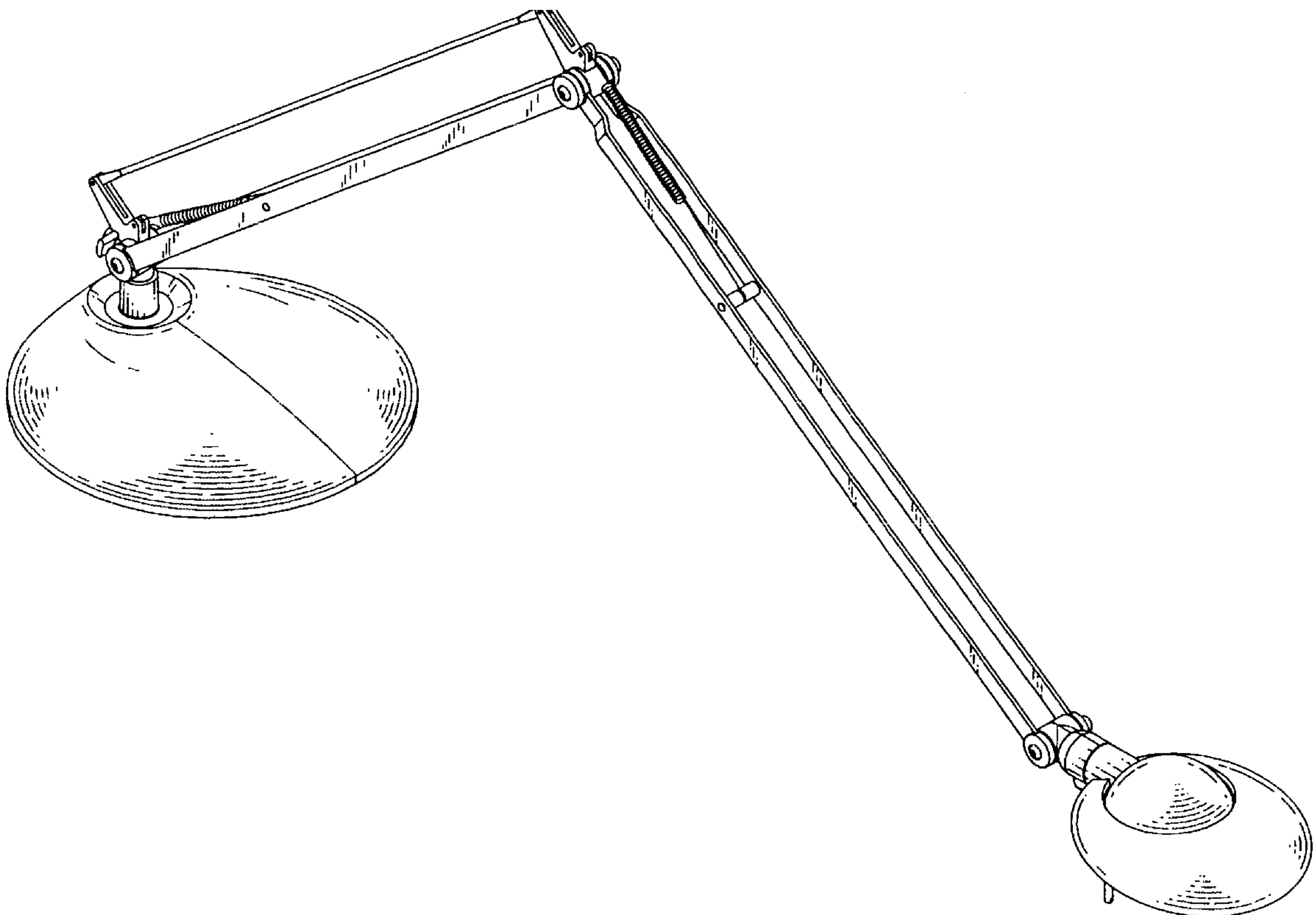
FIG. 4 is a front side elevation view thereof;

FIG. 5 is a rear side elevation view thereof;

FIG. 6 is a top plan view thereof; and,

FIG. 7 is a bottom plan view thereof.

**1 Claim, 6 Drawing Sheets**



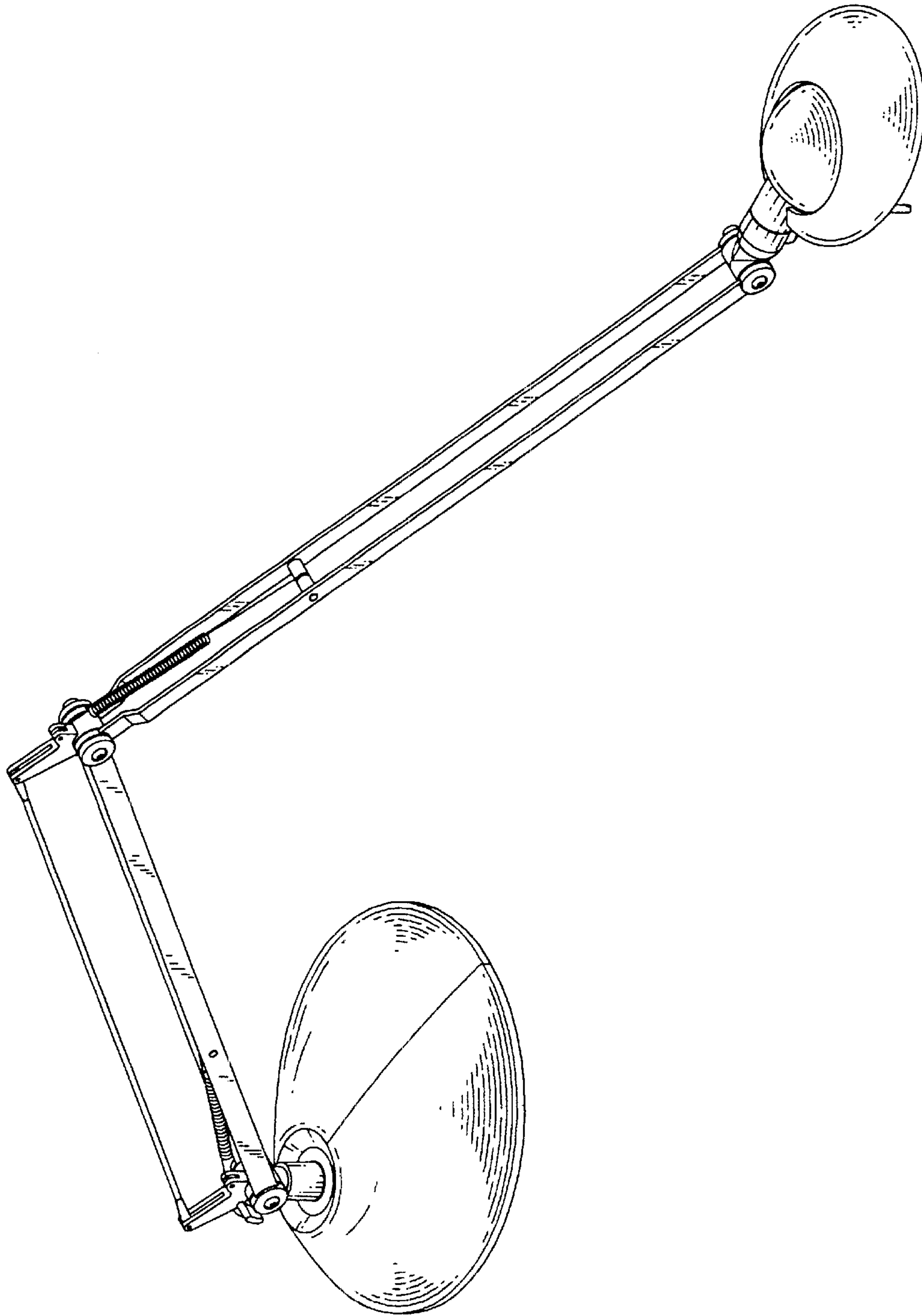


FIG. 1

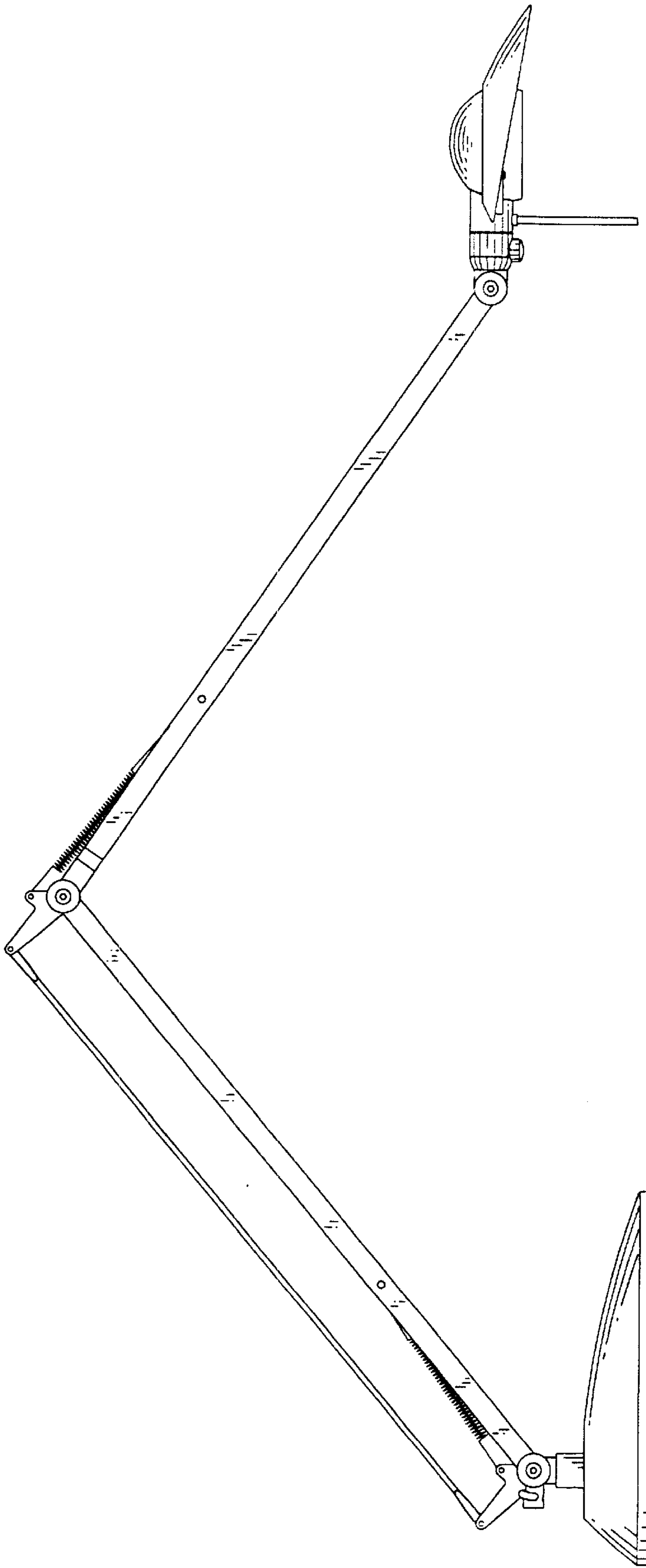


FIG. 2

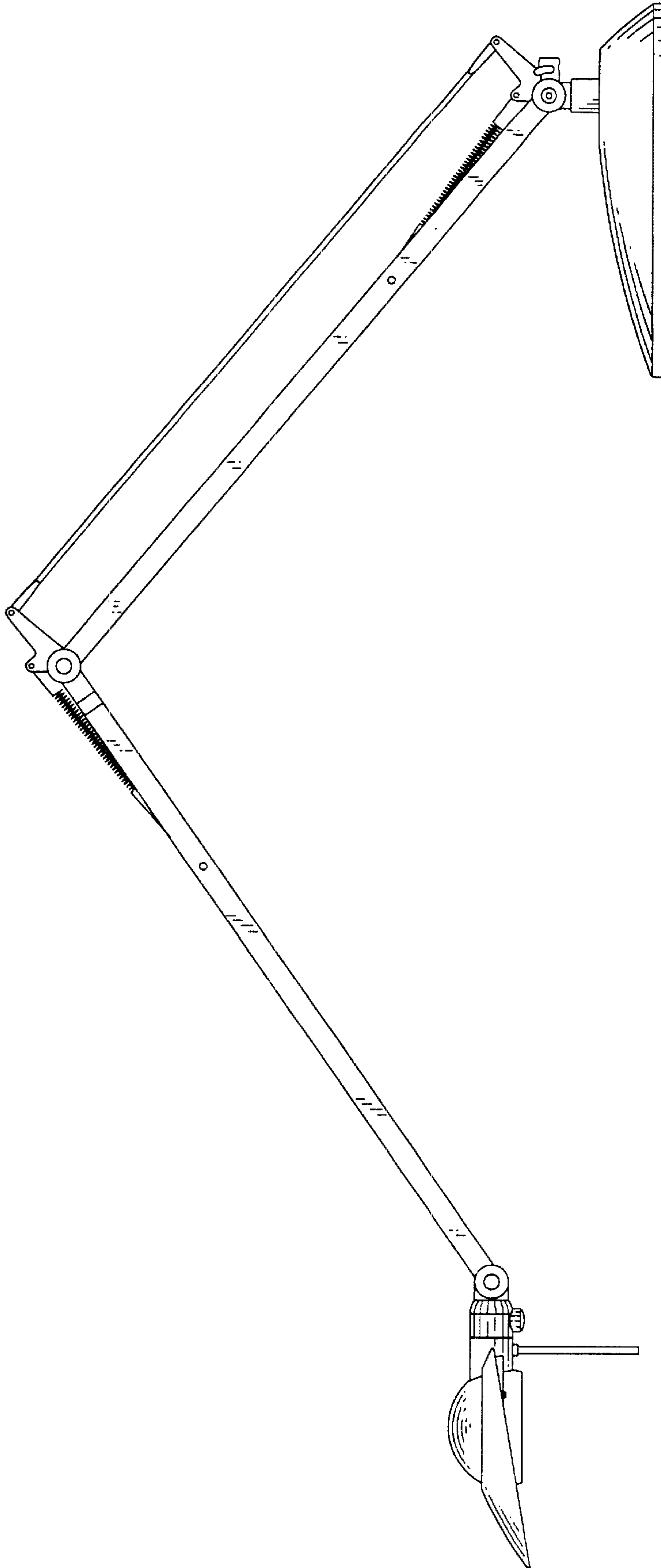


FIG. 3

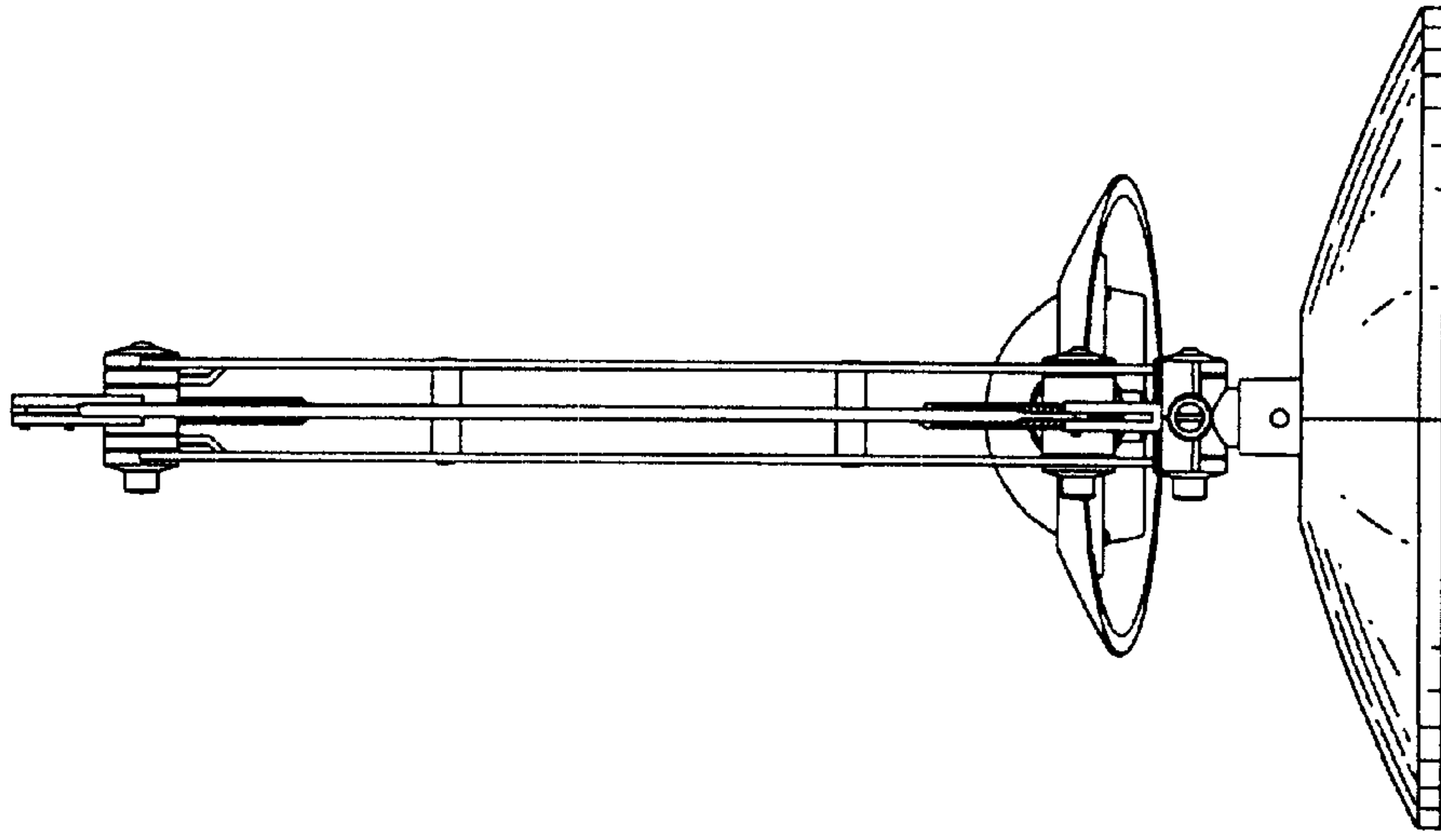


FIG. 5

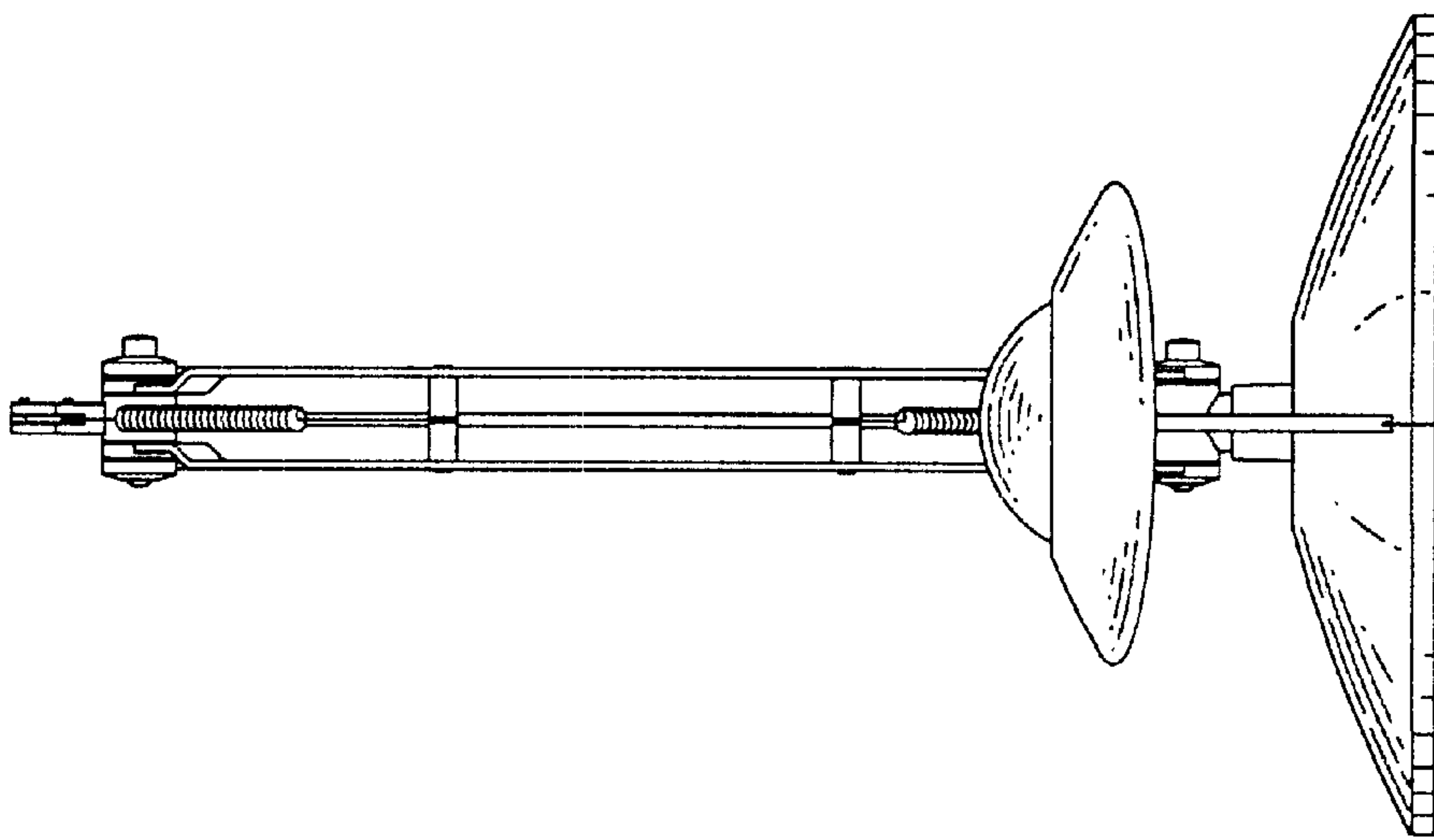


FIG. 4

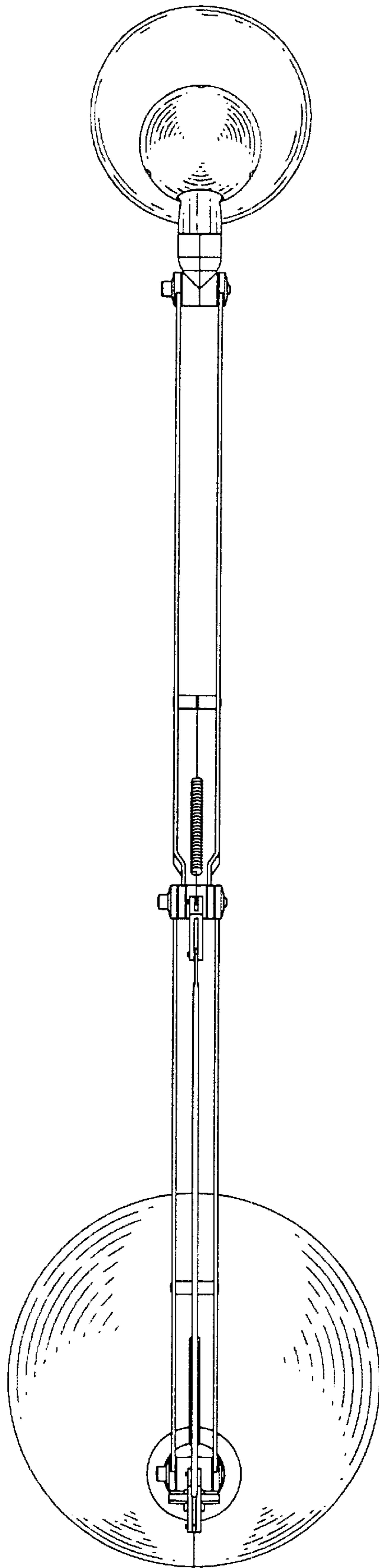


FIG. 6

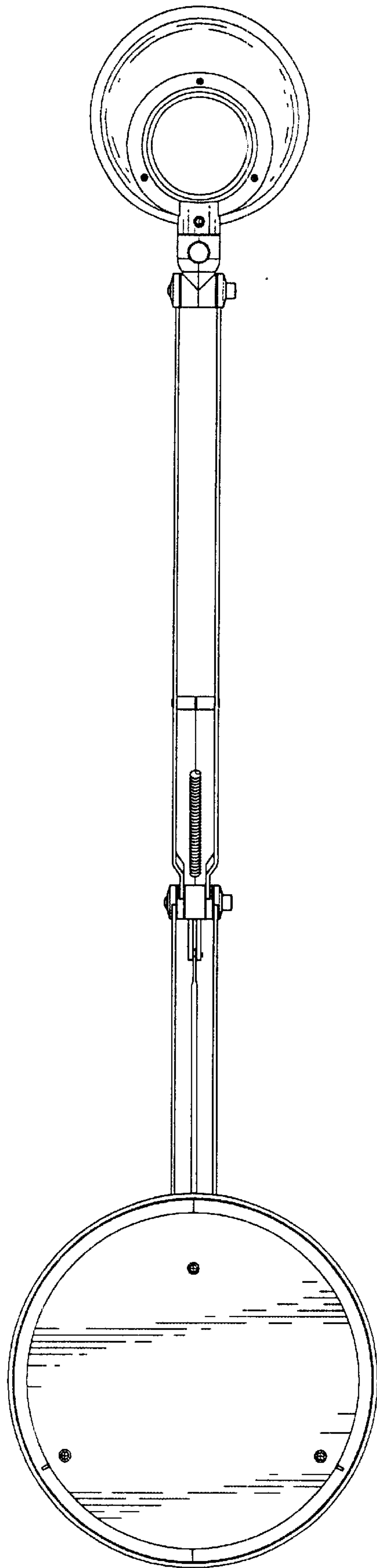


FIG. 7