



US00D467377S

(12) **United States Design Patent** (10) **Patent No.:** **US D467,377 S**
Hang (45) **Date of Patent:** **** Dec. 17, 2002**

(54) **LIGHTING UNIT**

(75) Inventor: **Lee Wing Hang**, Shatin (HK)
(73) Assignee: **Radica China Limited** (VG)
(**) Term: **14 Years**

(21) Appl. No.: **29/155,187**
(22) Filed: **Feb. 7, 2002**

(51) **LOC (7) Cl.** **26-05**
(52) **U.S. Cl.** **D26/60; D21/333**
(58) **Field of Search** **D26/60-66, 103, 226/52, 51; D21/333, 385; 362/23-33, 84, 85, 98, 99, 109, 125, 234, 413, 137, 155; 273/148 B**

(56) **References Cited**

U.S. PATENT DOCUMENTS

3,023,305	A	2/1962	Shapiro
4,290,093	A	9/1981	Thompson et al.
4,312,507	A	1/1982	Smith et al.
4,432,042	A	2/1984	Zeller
4,581,684	A	4/1986	Mazzucco
4,598,340	A	7/1986	Dwosh et al.
4,772,986	A	9/1988	McNemor
4,893,222	A	1/1990	Mintzer
4,949,230	A	8/1990	Burmeister
5,055,977	A	10/1991	Acquanetta
5,065,297	A	11/1991	Santambrogio
5,091,832	A	2/1992	Tortola et al.
5,130,907	A	7/1992	Tortola et al.
5,169,226	A	12/1992	Friedman
5,222,806	A	6/1993	Roberts, III
D341,855	S	11/1993	Tortola et al.
5,325,278	A	6/1994	Tortola et al.
5,325,280	A	6/1994	Tortola et al.
D351,919	S	10/1994	Rorke
5,379,201	A	1/1995	Friedman

(List continued on next page.)

OTHER PUBLICATIONS

LS8497 GBC Light Magnifier; RC8487 GBC Folding Light Magnifier, prior to Feb. 2002.
RC8598 GBC Spot Lights, prior to Feb. 2002.
Advance Power brochure page, GA683 & GA682 Light Magnifiers; prior to Feb. 2002.
UFO Light, Imagine No Limits, NYKO Technologies, nc. brochure; 2 pages; prior to Feb. 2002.
The Colors of PELICAN, Top Sellers, Game Boy Advance Accessories, PELICAN Accessories brochure; 3 pages; prior to Feb. 2002.
CCL Video Game Accessories brochure page, prior to Feb. 2002.
Get Into The Game, Light & Magnifier package label and instructions for use, MAD CATZ; prior to Feb. 2002.

Primary Examiner—Joel Sincavage
Assistant Examiner—Clare E. Heflin
(74) *Attorney, Agent, or Firm*—Roylance, Abrams, Berdo & Goodman, L.L.P.

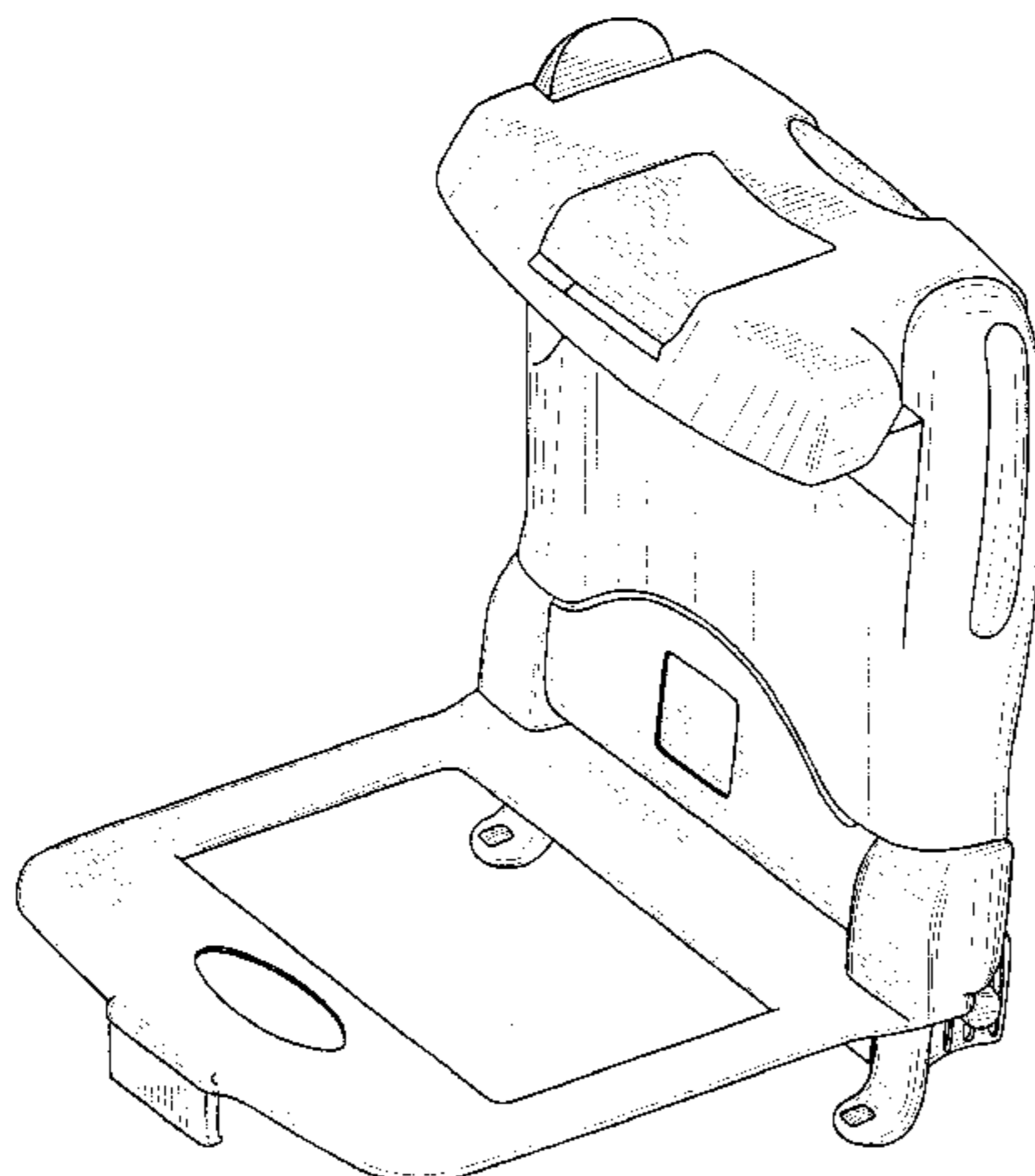
(57) **CLAIM**

The ornamental design for a lighting unit, as shown and described.

DESCRIPTION

FIG. 1 is a front perspective view of the lighting unit in accordance with the new design, showing the lighting unit in a first position;
FIG. 2 is a front elevational view of the lighting unit illustrated in FIG. 1;
FIG. 3 is a rear elevational view of the lighting unit illustrated in FIGS. 1 and 2;
FIG. 4 is a top plan view of the lighting unit illustrated in FIGS. 1-3;
FIG. 5 is a bottom plan view of the lighting unit illustrated in FIGS. 1-4;
FIG. 6 is a left side elevational view of the lighting unit illustrated in FIGS. 1-5; and,
FIG. 7 is a right side elevational view of the lighting unit illustrated in FIGS. 1-6.

1 Claim, 4 Drawing Sheets



US D467,377 S

Page 2

U.S. PATENT DOCUMENTS

5,422,802	A	6/1995	Lin		6,260,983	B1	7/2001	Chiu
D382,577	S	* 8/1997	Waldmann D26/65	6,260,984	B1	7/2001	Naghi et al.
5,695,271	A	12/1997	Zeller		6,273,581	B1	8/2001	Neiser
D397,478	S	* 8/1998	Booty, Jr. D26/65	6,328,460	B1	12/2001	Grossman et al.
6,022,119	A	2/2000	Booty, Jr.		6,354,713	B1	3/2002	Leifer et al.
D423,136	S	4/2000	Hsich		6,361,182	B1	3/2002	Leifer et al.
D435,679	S	12/2000	Naghi et al.		6,361,184	B1	3/2002	Hallgrimsson et al.
6,186,636	B1	2/2001	Naghi et al.		6,367,946	B1	4/2002	Leifer et al.

* cited by examiner

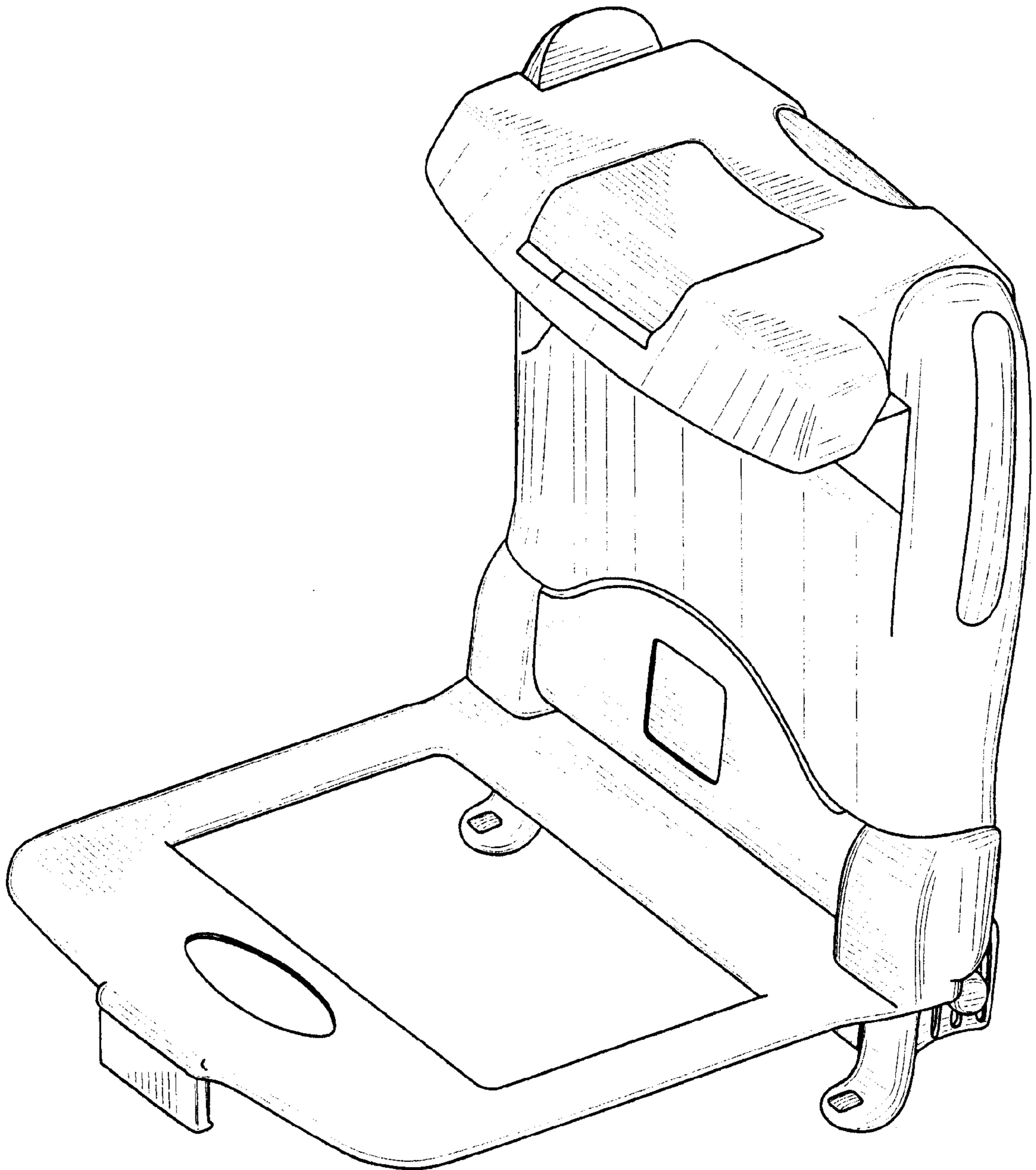


FIG. 1

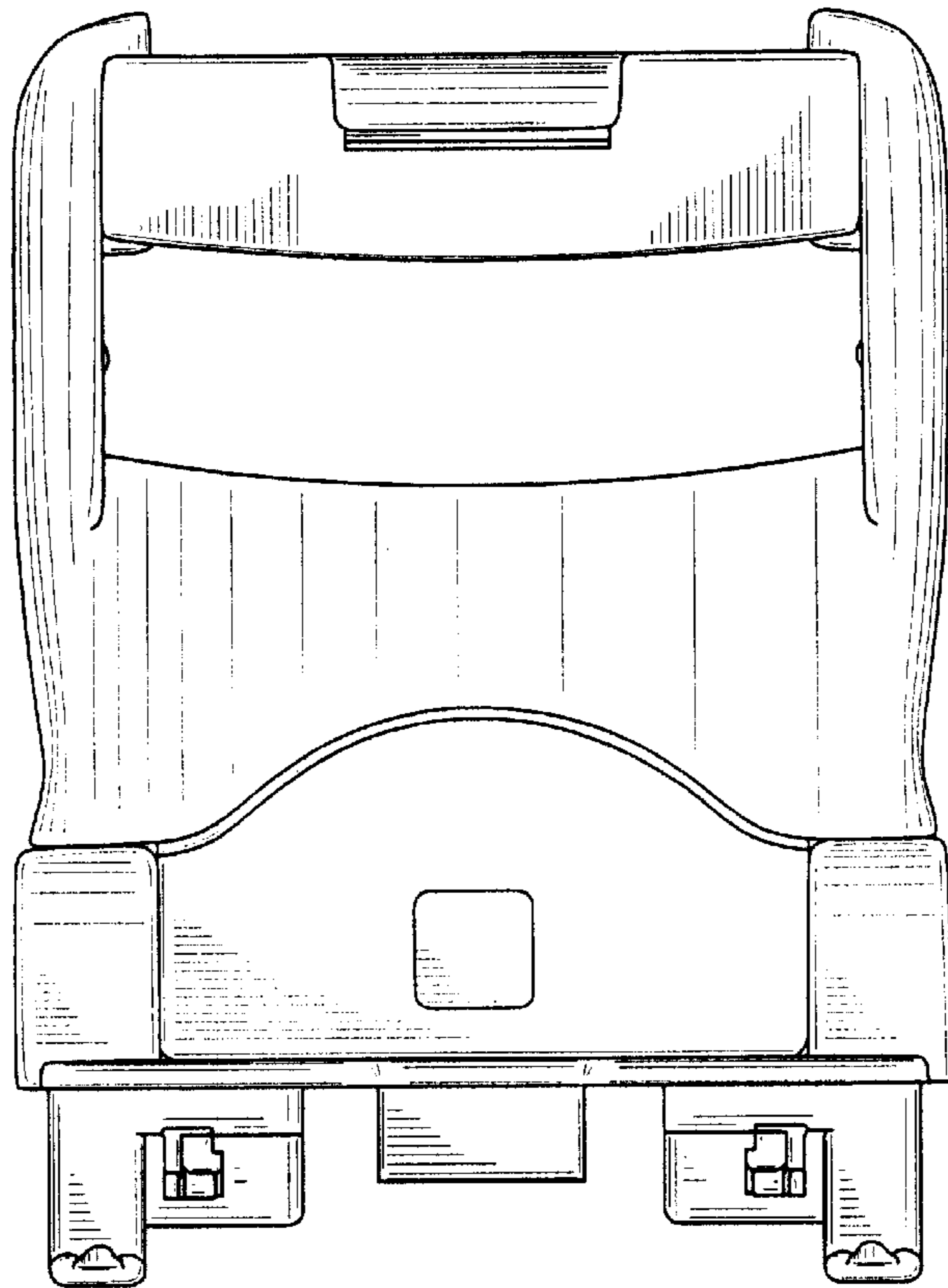


FIG. 2

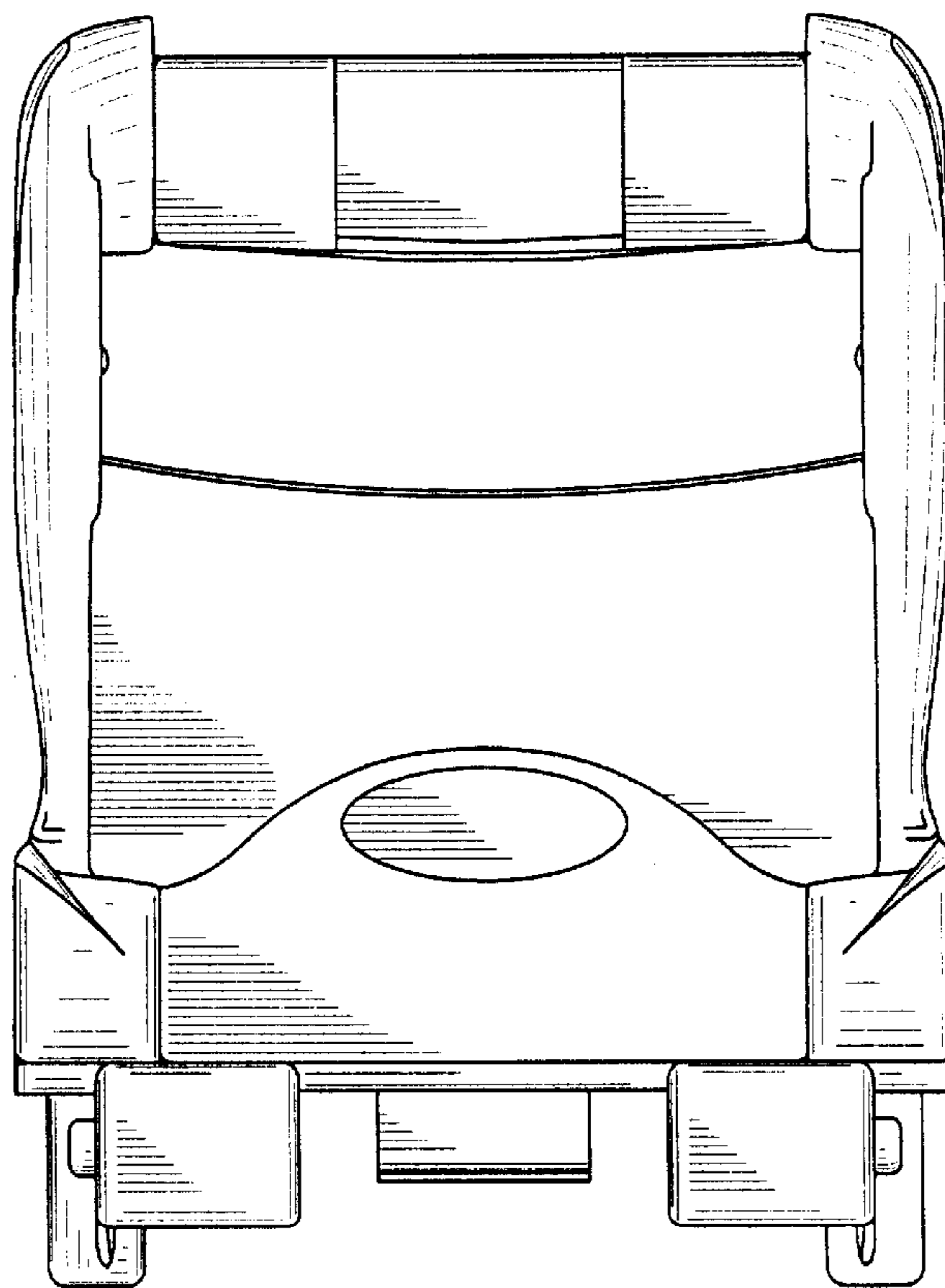


FIG. 3

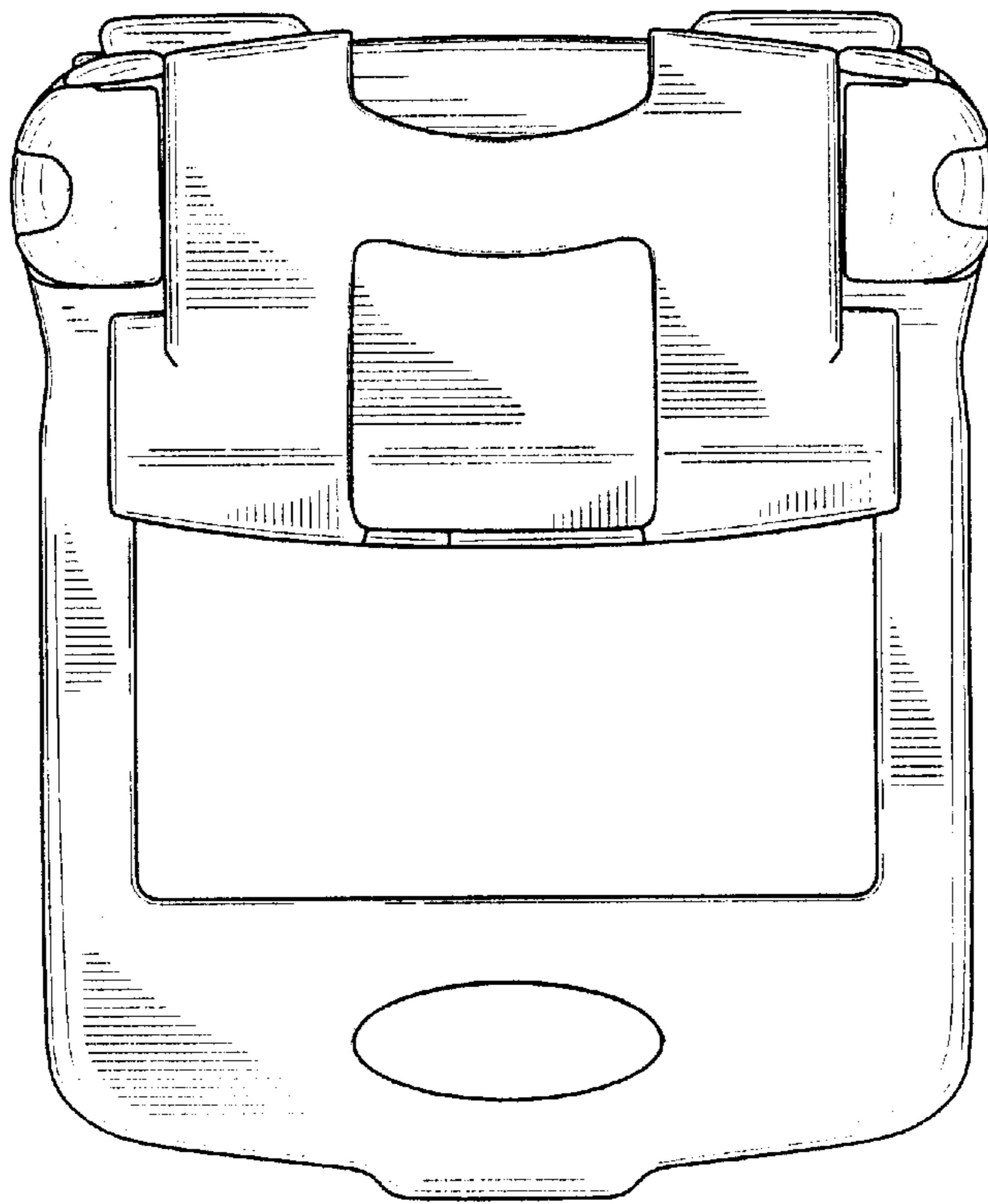


FIG. 4

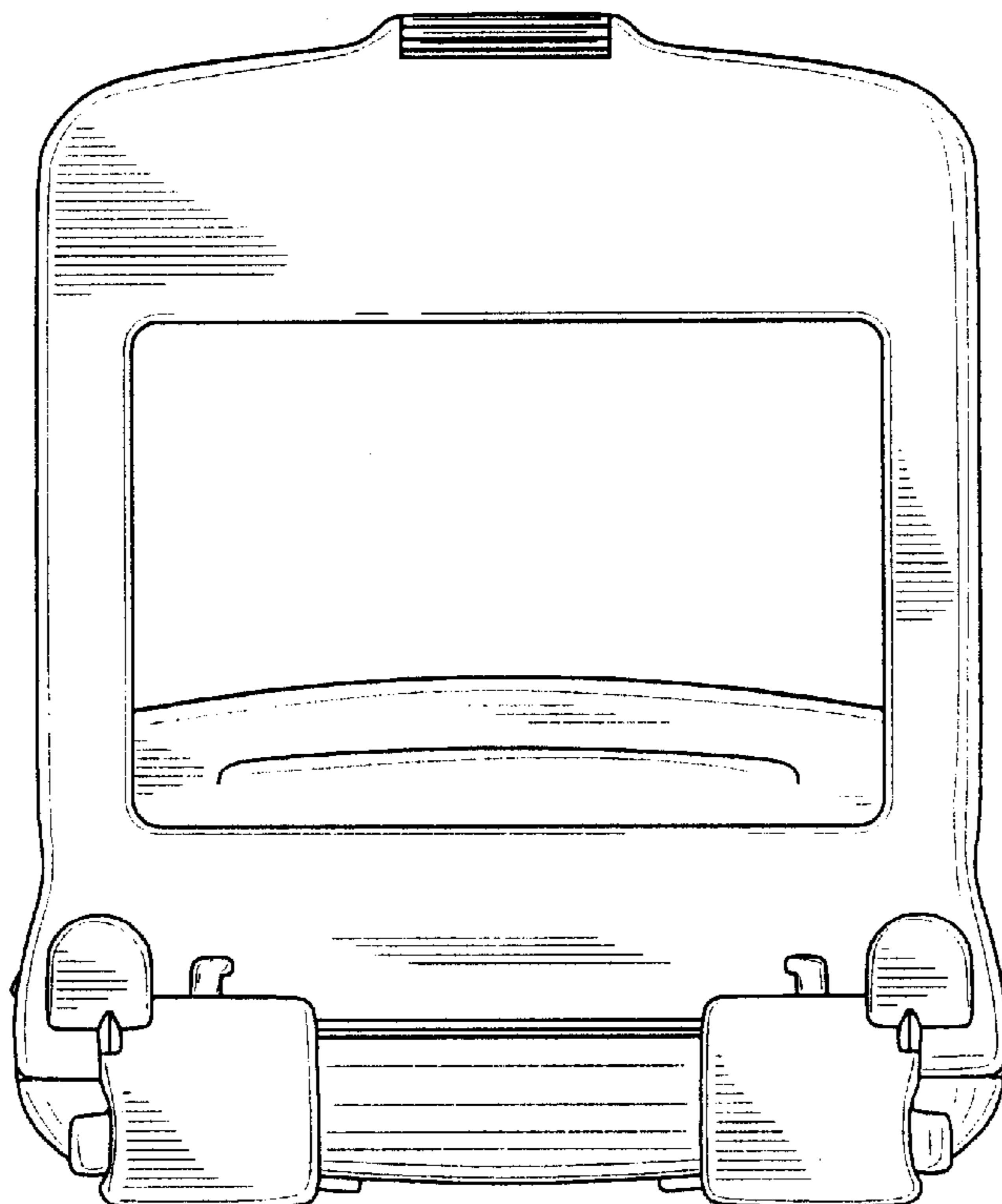


FIG. 5

FIG. 6

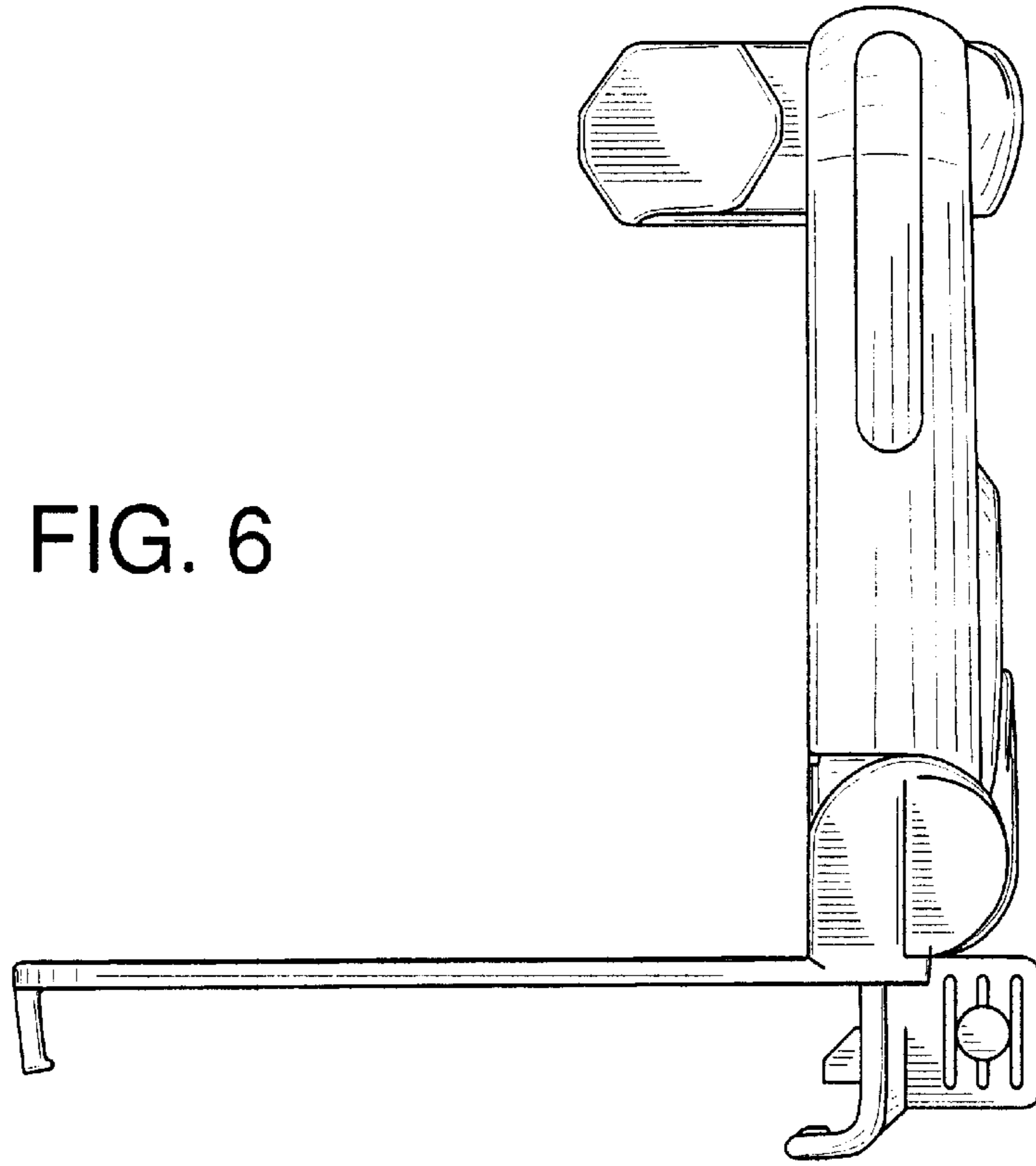


FIG. 7

