



US00D467374S

(12) **United States Design Patent**
Kuelbs et al.

(10) **Patent No.:** **US D467,374 S**

(45) **Date of Patent:** **** Dec. 17, 2002**

(54) **OIL LANTERN**

(75) Inventors: **Gregory G. Kuelbs**, Westlake, TX (US); **Kenneth M. Ward**, Azle, TX (US)

(73) Assignee: **World Factory, Inc.**, Southlake, TX (US)

(**) Term: **14 Years**

(21) Appl. No.: **29/160,303**

(22) Filed: **May 8, 2002**

(51) **LOC (7) Cl.** **26-02**

(52) **U.S. Cl.** **D26/40**

(58) **Field of Search** D26/37-50; 362/157, 362/158, 171, 172, 173, 183-208

(56) **References Cited**

U.S. PATENT DOCUMENTS

| | | | | | |
|------------|---|--------|------------------|-------|--------|
| D257,889 S | * | 1/1981 | Chan | | D26/40 |
| D426,662 S | * | 6/2000 | Taniguchi et al. | | D26/40 |
| D429,832 S | * | 8/2000 | Poon | | D26/40 |
| D443,088 S | * | 5/2001 | Skidmore et al. | | D26/40 |

* cited by examiner

Primary Examiner—Marcus A. Jackson

(74) *Attorney, Agent, or Firm*—James E. Walton; Hill & Hunn, LLP

(57) **CLAIM**

The ornamental design for an oil lantern, as shown and described.

DESCRIPTION

FIG. 1 is a perspective view of the oil lantern according to the present invention, with the broken line showing for illustrative purposes only and forming no part of the claimed design;

FIG. 2 is a top view of the oil lantern according to the present invention.

FIG. 3 is a right side view of the oil lantern according to the present invention.

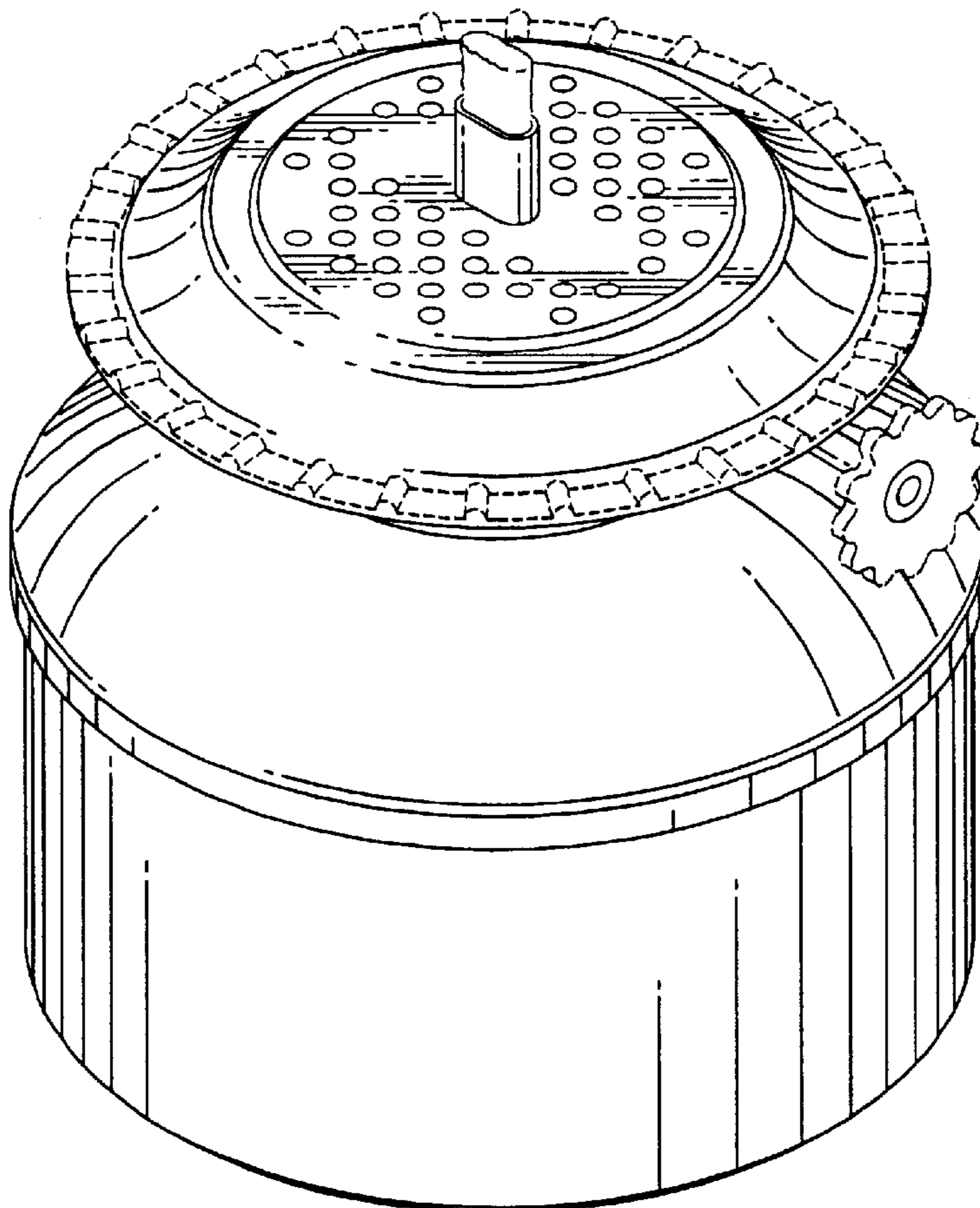
FIG. 4 is a front view of the oil lantern according to the present invention.

FIG. 5 is a rear view of the oil lantern according to the present invention.

FIG. 6 is a left side view of the oil lantern according to the present invention; and,

FIG. 7 is a bottom view of the oil lantern according to the present invention.

1 Claim, 4 Drawing Sheets



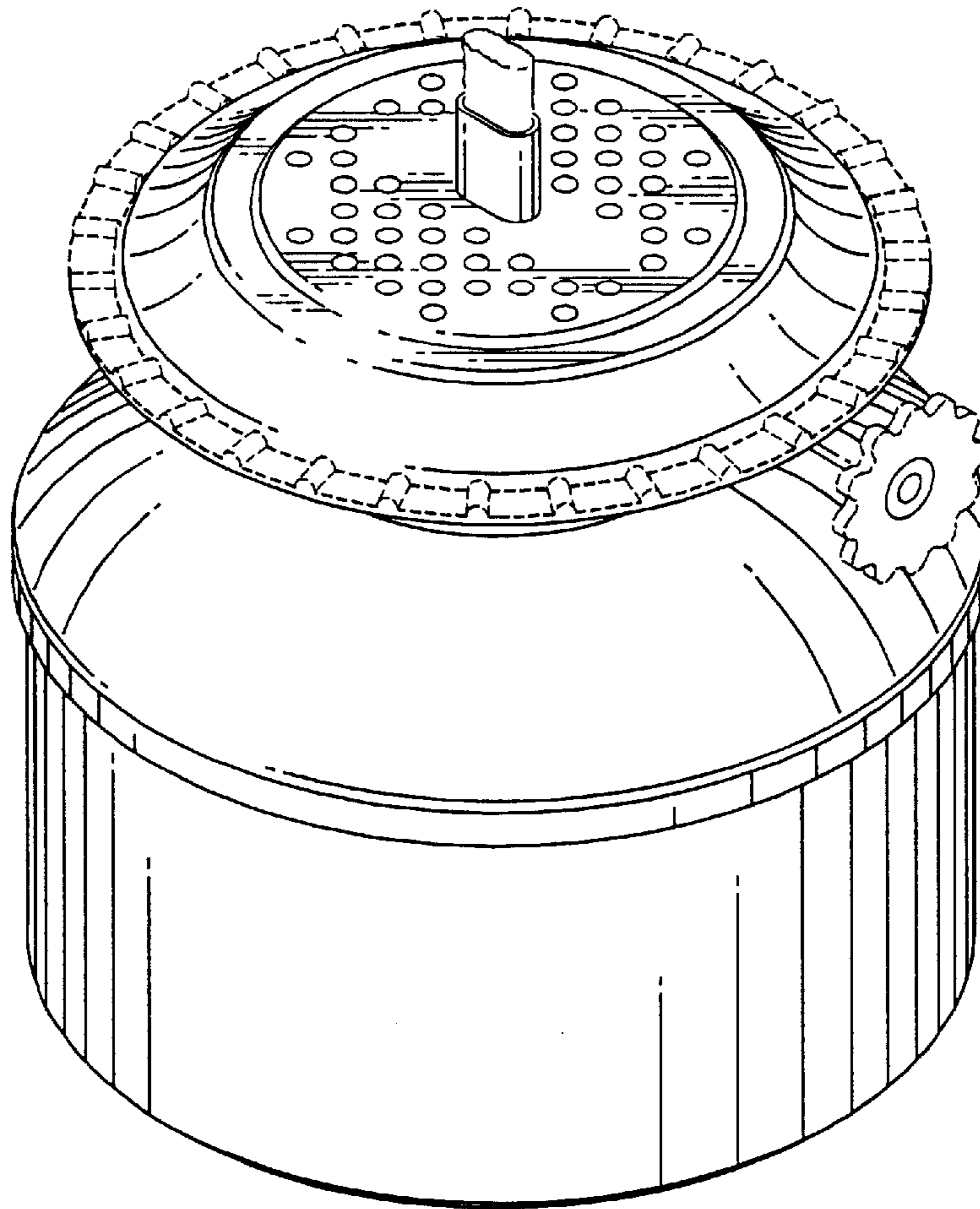


Fig. 1

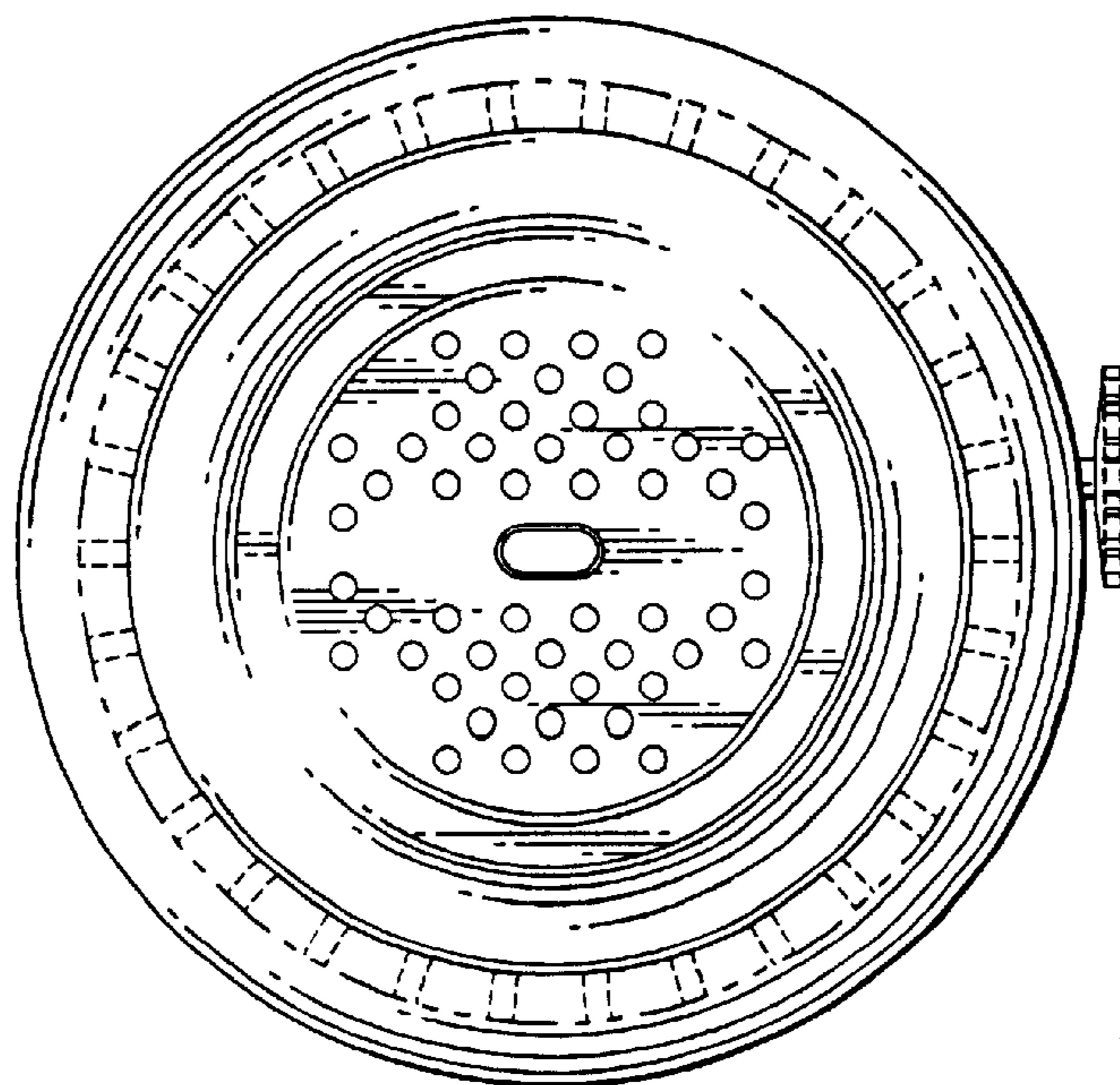


Fig. 2

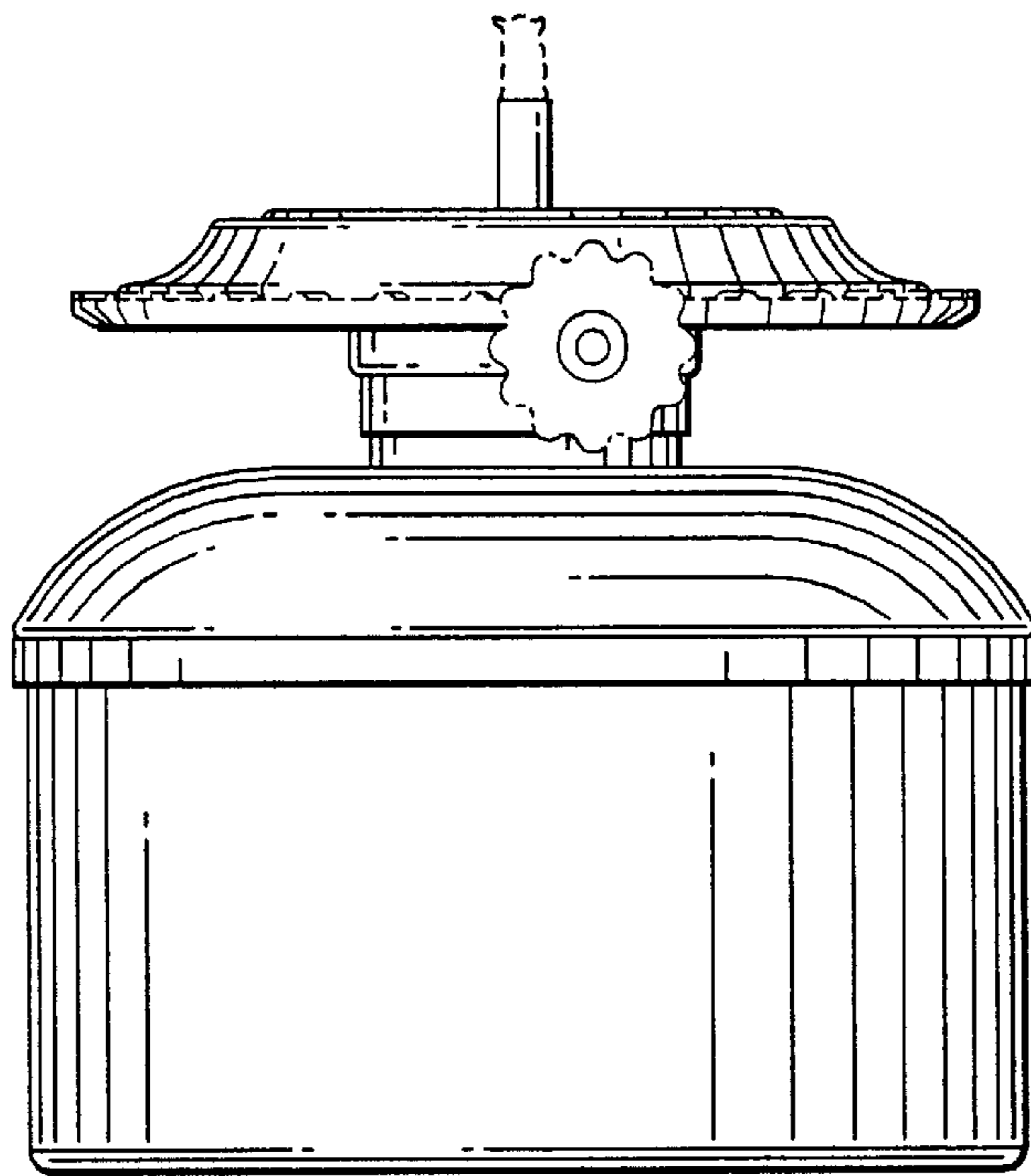


Fig. 3

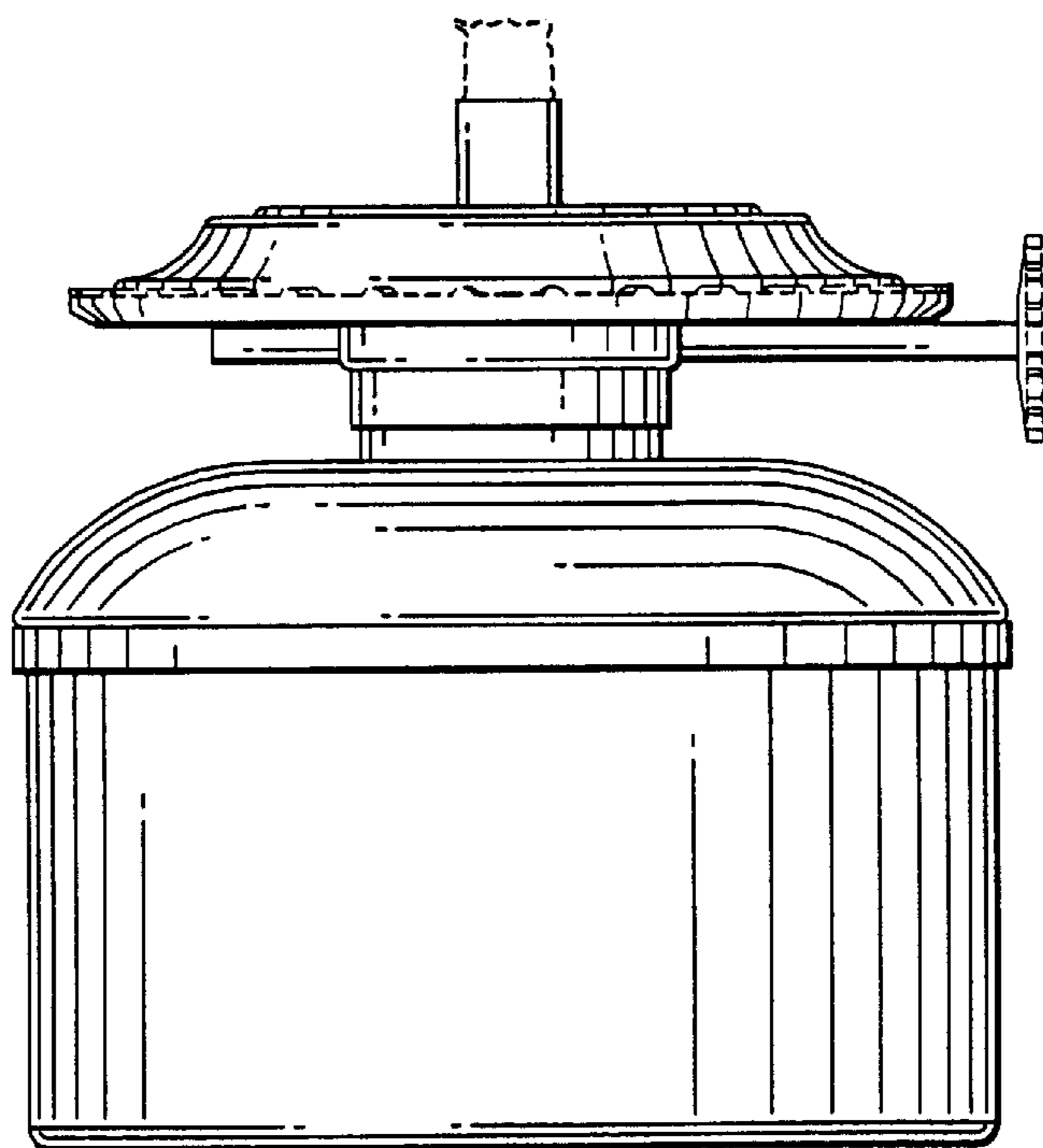


Fig. 4

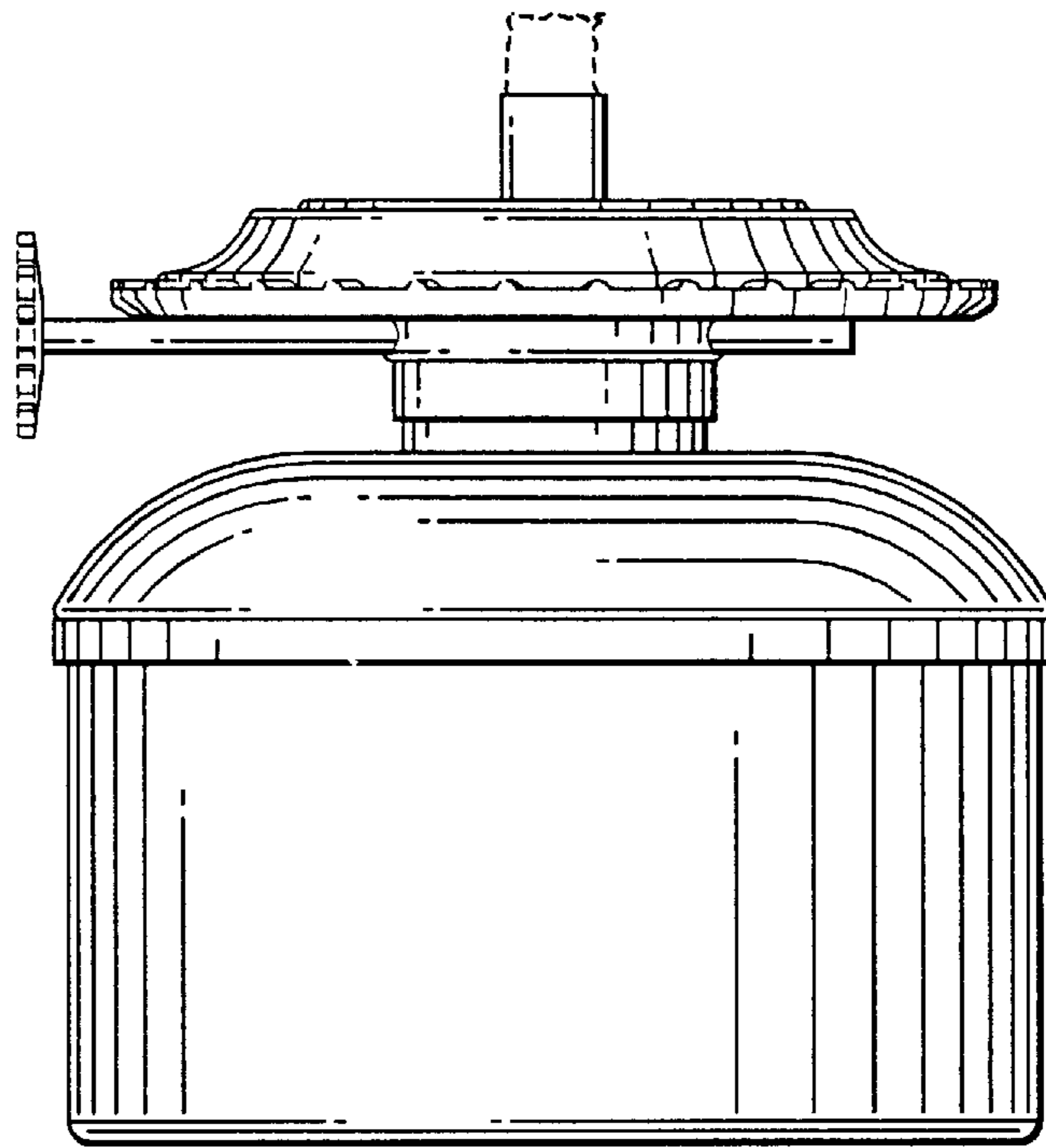


Fig. 5

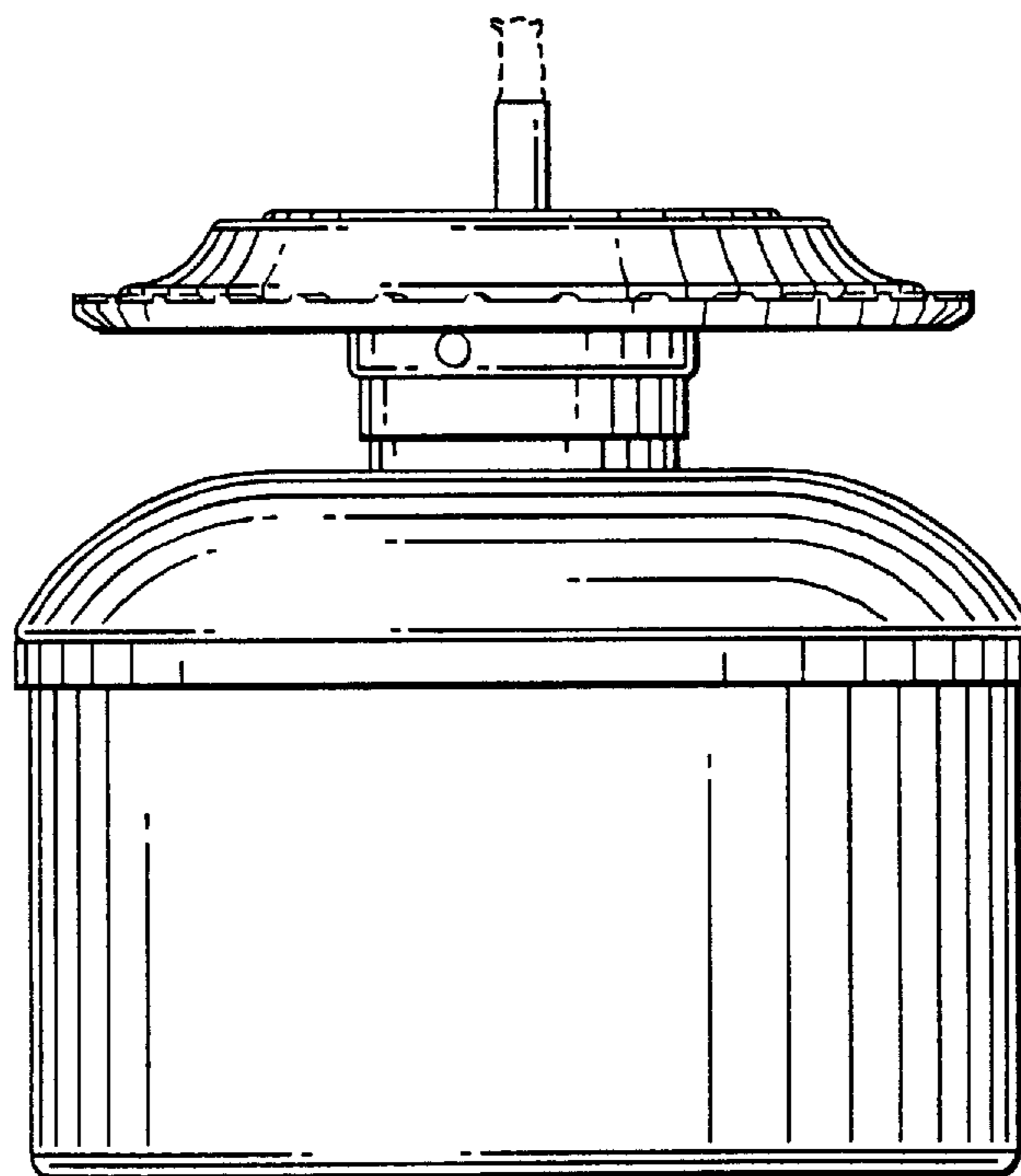


Fig. 6

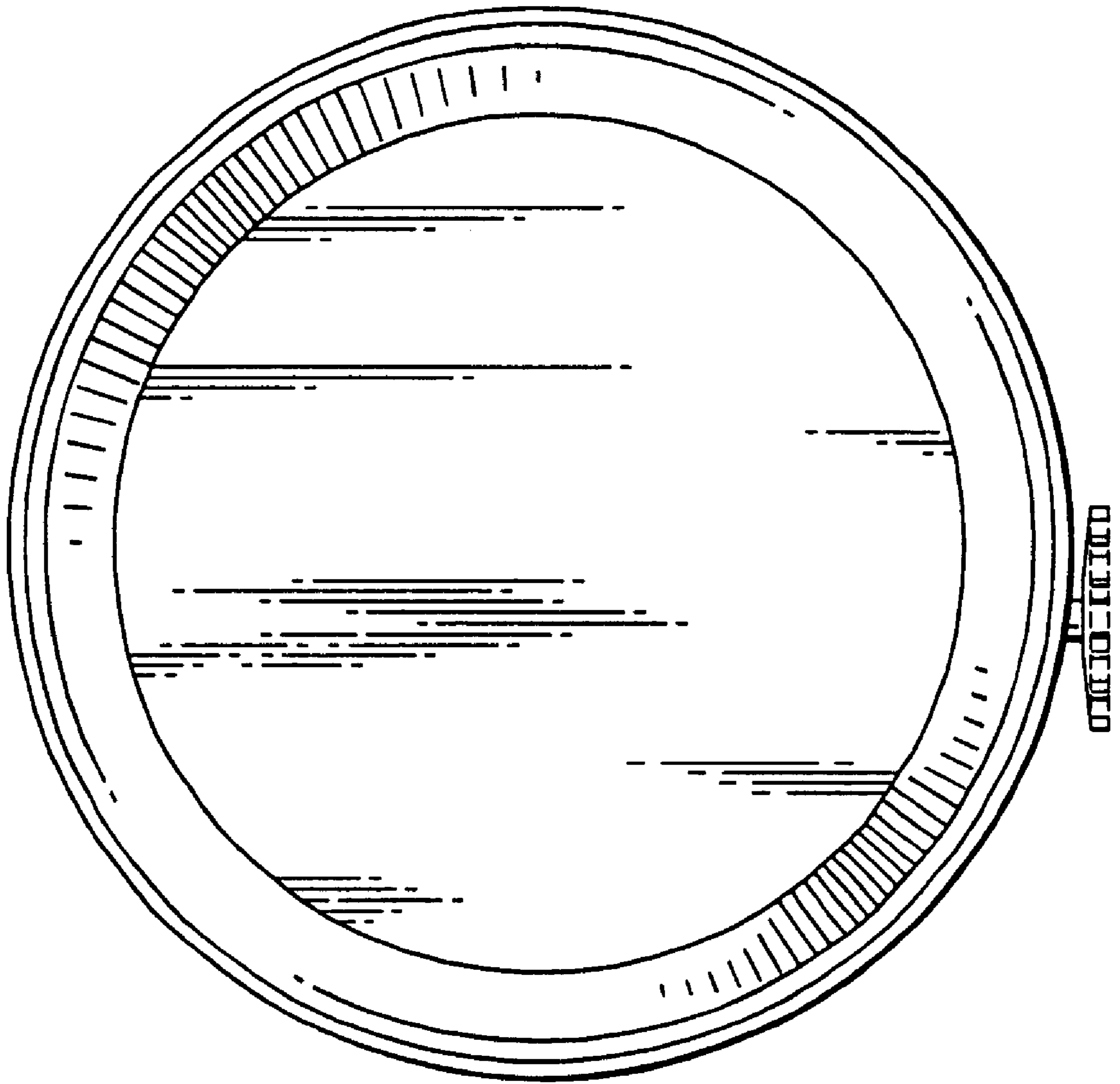


Fig. 7