



US00D467372S

(12) **United States Design Patent**  
**Lee**

(10) **Patent No.:** **US D467,372 S**

(45) **Date of Patent:** **\*\* Dec. 17, 2002**

(54) **LIGHT FITMENT**

(75) Inventor: **Peter K. C. Lee**, Kowloon (HK)

(73) Assignee: **Hip Shing Fat Co., Ltd.**, Kowloon (HK)

(\*\*) Term: **14 Years**

(21) Appl. No.: **29/137,880**

(22) Filed: **Mar. 2, 2001**

(51) **LOC (7) Cl.** ..... **26-04**

(52) **U.S. Cl.** ..... **D26/35**

(58) **Field of Search** ..... D26/75-79, 3,  
D26/26; 362/217, 218, 219, 220, 221, 222,  
223

(56) **References Cited**

**U.S. PATENT DOCUMENTS**

D175,657 S	*	7/1955	Uttz	.....	D26/31
D274,001 S	*	5/1984	Sailers	.....	D26/35
D397,486 S		8/1998	Engle et al.		
D417,027 S		11/1999	Cece		
6,050,708 A		4/2000	Roorda		
D434,161 S	*	11/2000	Fritzinger	.....	D26/35

**OTHER PUBLICATIONS**

U.S. patent application Ser. No. 29/124,418 to Lee, filed Jun. 6, 2000.

\* cited by examiner

*Primary Examiner*—Marcus A. Jackson  
(74) *Attorney, Agent, or Firm*—Wenderoth, Lind & Ponack, L.L.P.

(57) **CLAIM**

The ornamental design for a light fitment, as shown and described.

**DESCRIPTION**

FIG. 1 is a perspective view of the light fitment from the front and one side;

FIG. 2 is an end view, the opposite end view being a mirror image thereof;

FIG. 3 is a side view, the opposite side view being a mirror image thereof;

FIG. 4 is a rear view with a mounting plate removed;

FIG. 5 is a perspective view with bulb units in an alternative position;

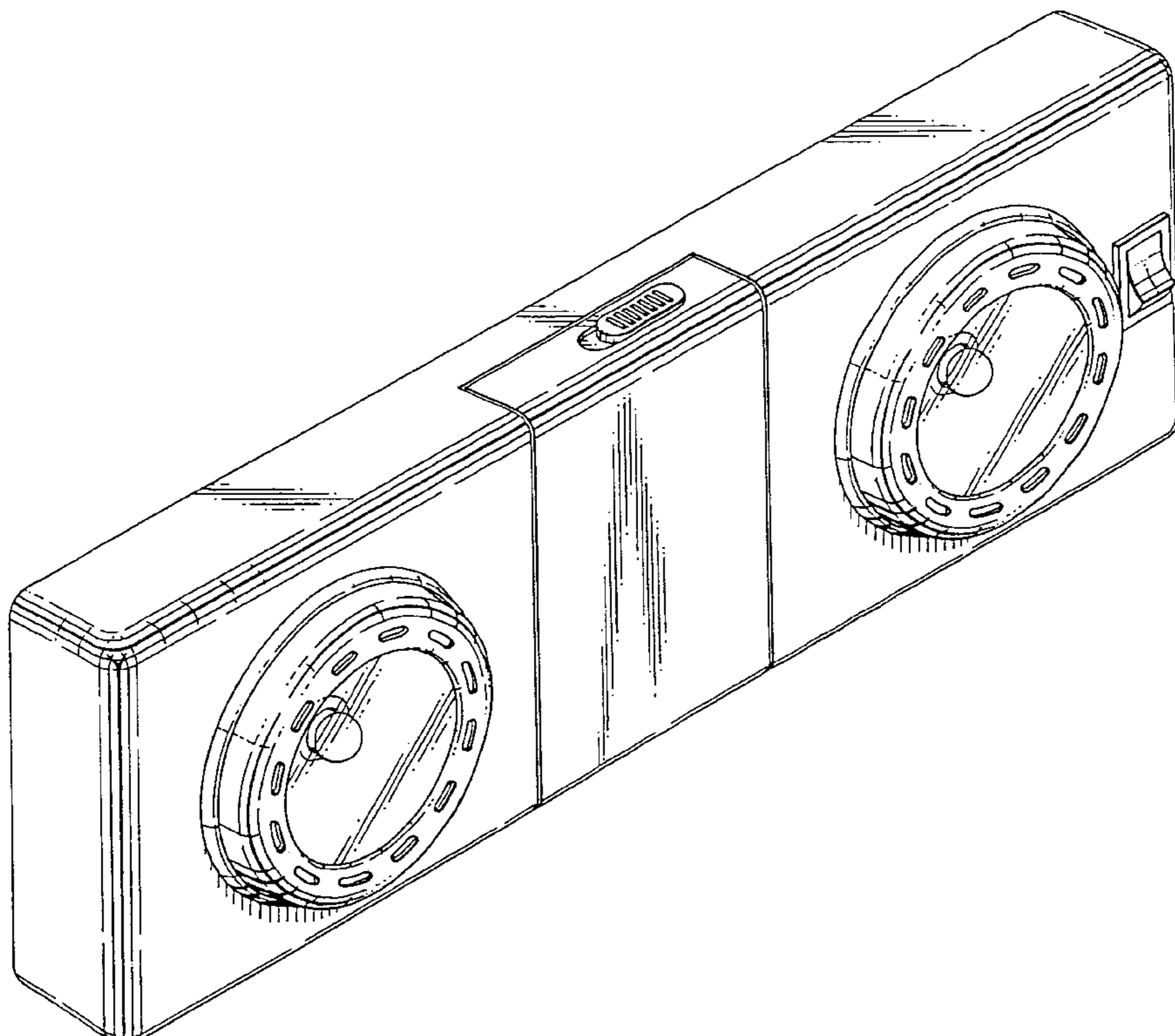
FIG. 6 is a rear view with the mounting plate installed;

FIG. 7 is a front view of the mounting plate;

FIG. 8 is a side view of the mounting plate, the opposite side view being a mirror image thereof; and,

FIG. 9 is an end view of the mounting plate, the opposite end view being a mirror image thereof.

**1 Claim, 6 Drawing Sheets**



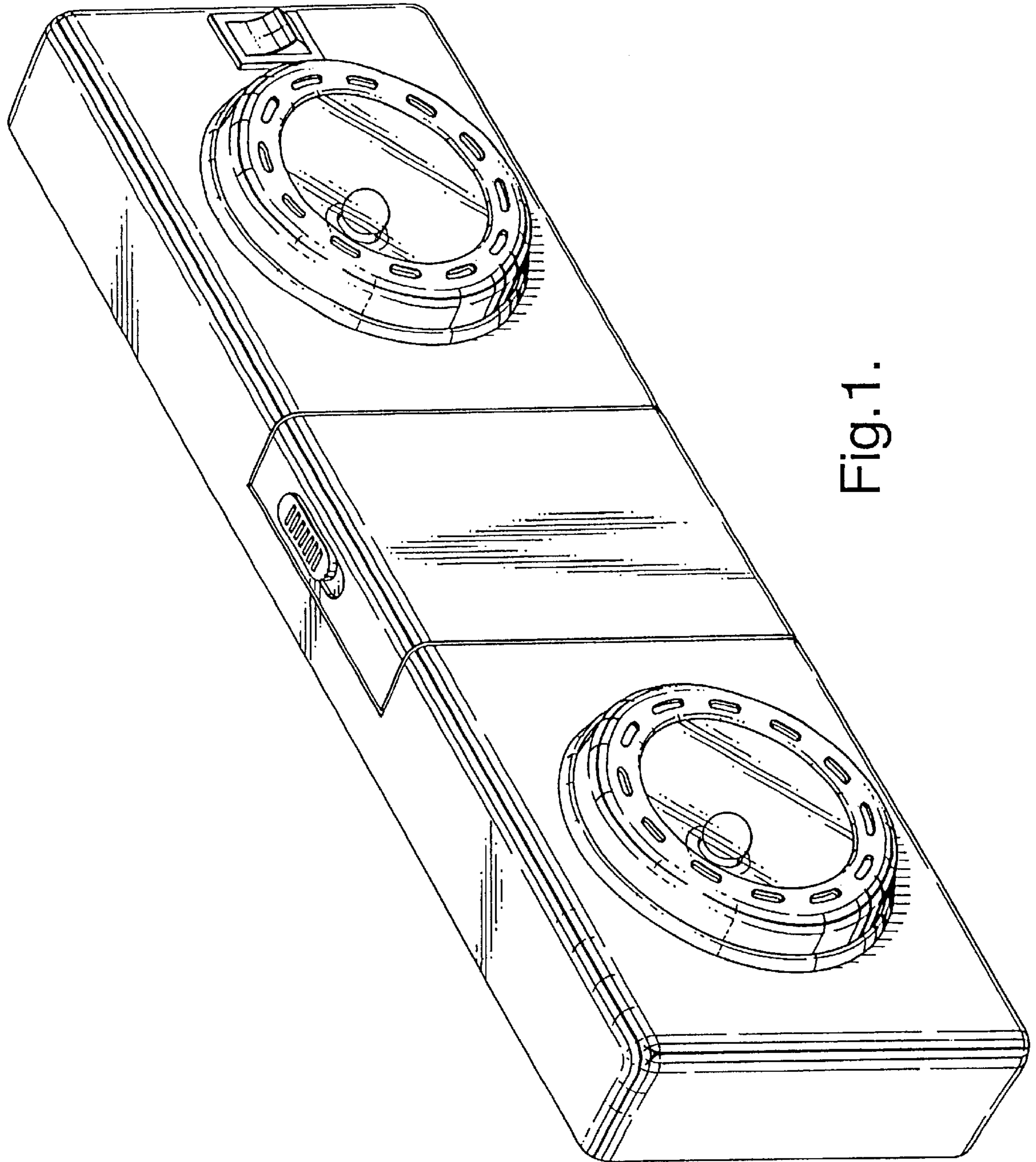


Fig. 1.

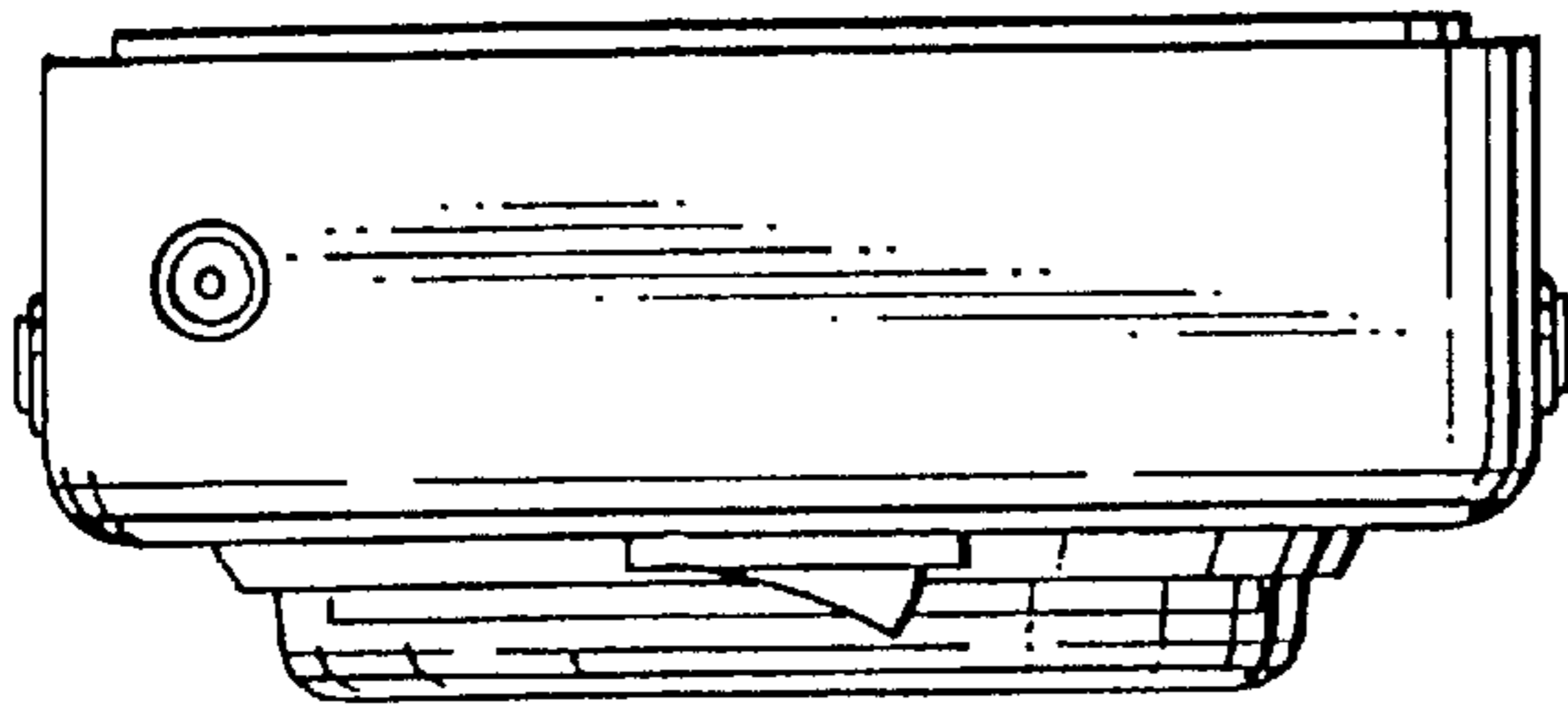


Fig. 2.

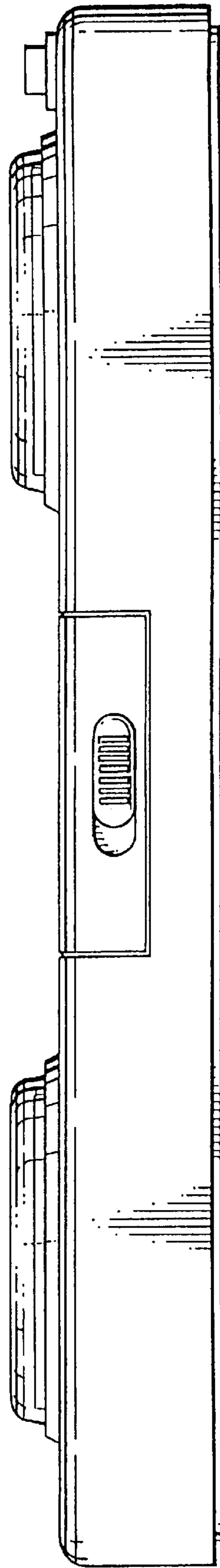


Fig. 3.

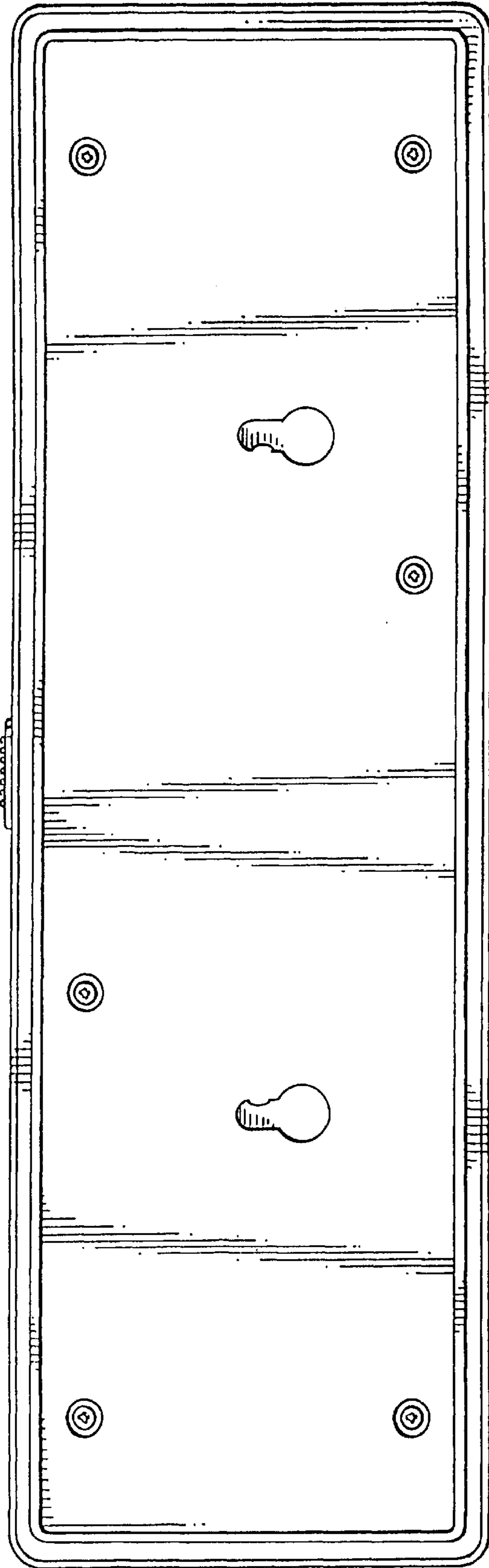


Fig.4.

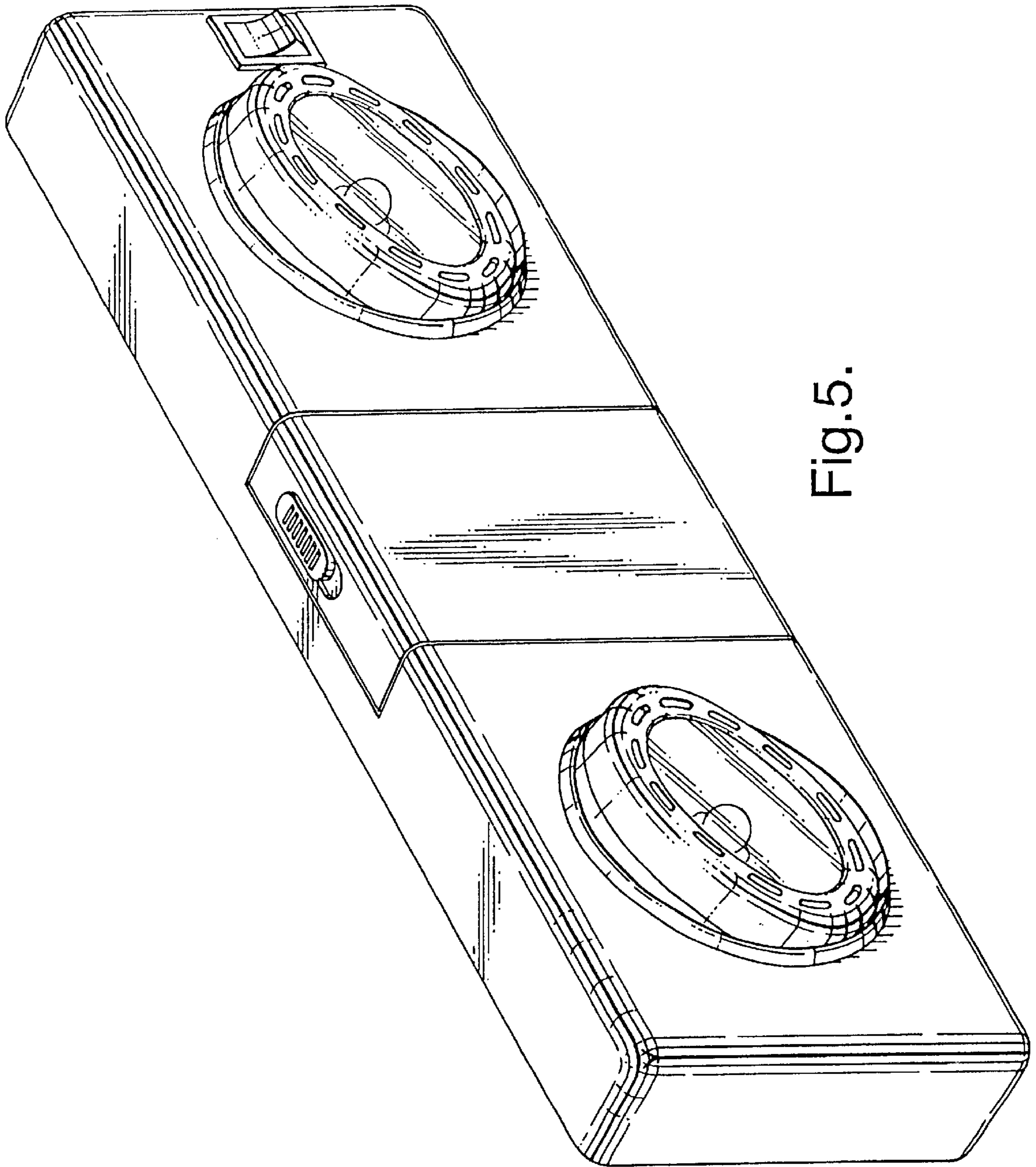


Fig. 5.

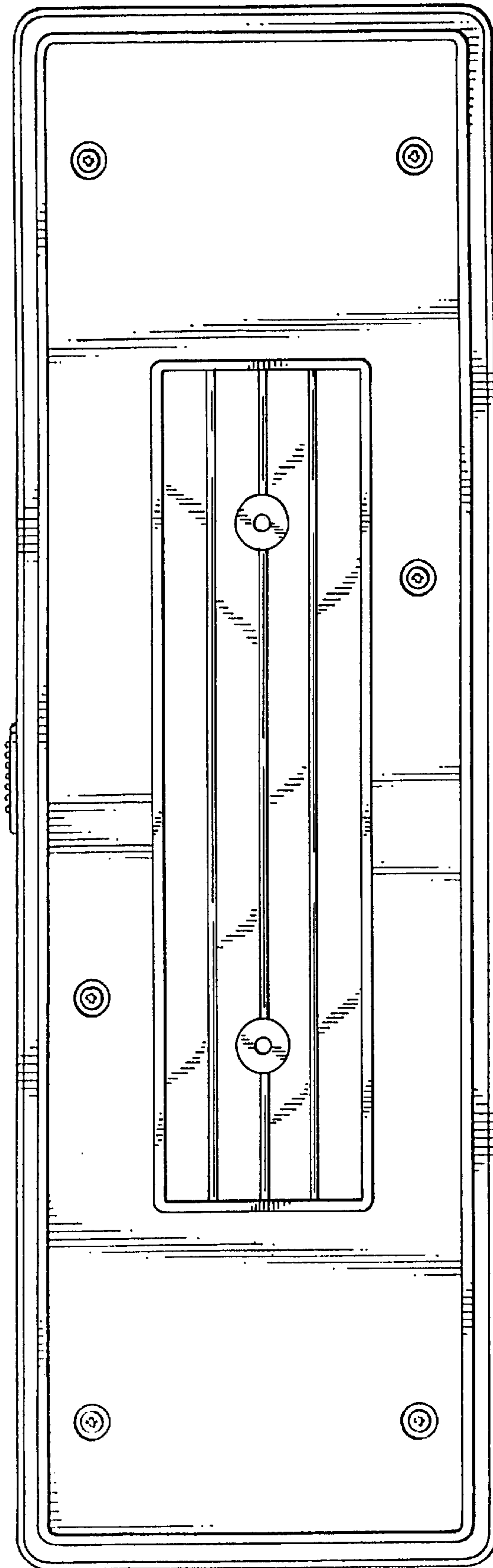


Fig. 6

Fig. 7

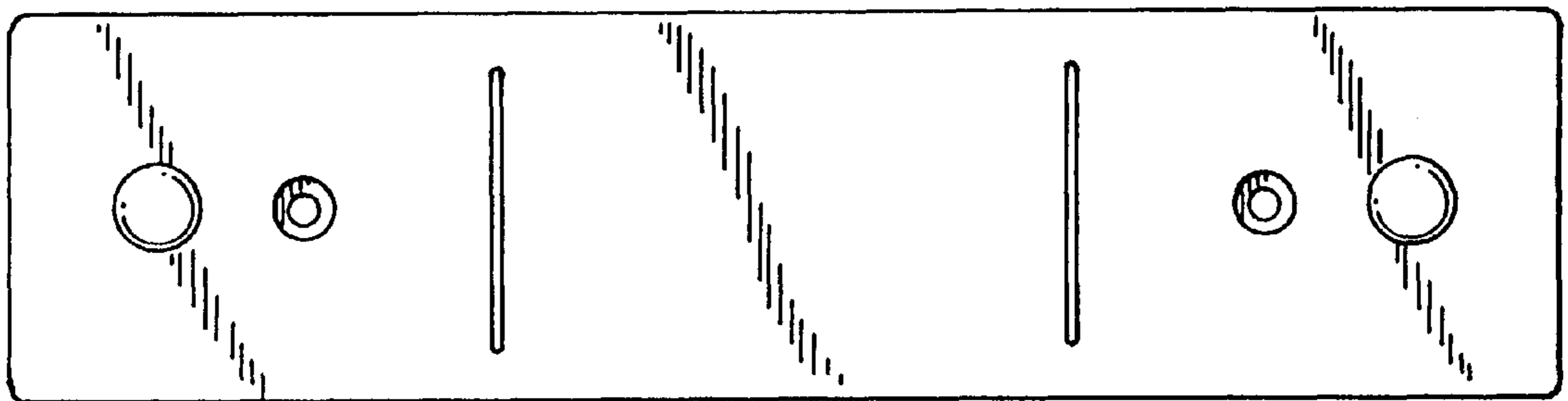


Fig. 8



Fig. 9

