



US00D467366S

(12) **United States Design Patent**  
**Shiesh**

(10) **Patent No.:** **US D467,366 S**

(45) **Date of Patent:** **\*\* Dec. 17, 2002**

(54) **TAIL LIGHT**

D409,772 S \* 5/1999 Bangle ..... D26/28  
D448,869 S \* 10/2001 Horowitz ..... D26/28

(75) **Inventor:** **Fu-Chi Shiesh, Tainan (TW)**

\* cited by examiner

(73) **Assignee:** **TYC Brother Industrial Co., Ltd.**  
**(TW)**

*Primary Examiner*—Marcus A. Jackson

(74) *Attorney, Agent, or Firm*—Ostrolenk, Faber, Gerb & Soffen, LLP

(\*\*) **Term:** **14 Years**

(21) **Appl. No.:** **29/155,712**

(57) **CLAIM**

The ornamental design for tail light, as shown and described.

(22) **Filed:** **Feb. 13, 2002**

**DESCRIPTION**

(51) **LOC (7) Cl.** ..... **26-06**

(52) **U.S. Cl.** ..... **D26/28**

(58) **Field of Search** ..... D26/28-36, 120,  
D26/122; 362/61, 80, 81, 82, 83, 83.4,  
267, 269, 275

FIG. 1 is a perspective view of tail light showing my new design;

FIG. 2 is a front elevational view thereof;

FIG. 3 is a rear elevational view thereof;

FIG. 4 is a left side elevational view thereof;

FIG. 5 is a right side elevational view thereof;

FIG. 6 is a top plan view thereof; and,

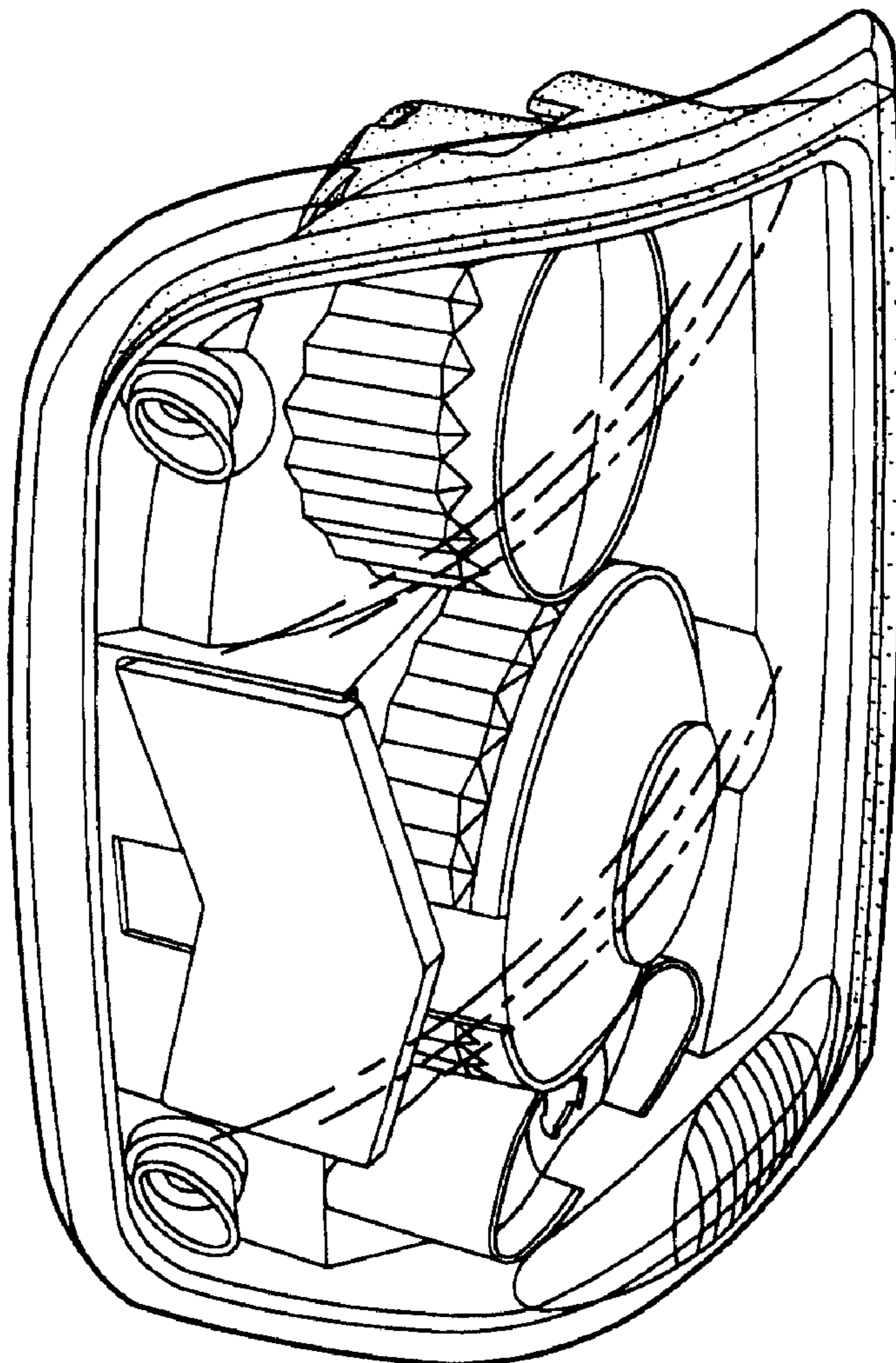
FIG. 7 is a bottom plan view thereof.

(56) **References Cited**

**U.S. PATENT DOCUMENTS**

D396,310 S \* 7/1998 Sacco et al. .... D26/28

**1 Claim, 4 Drawing Sheets**



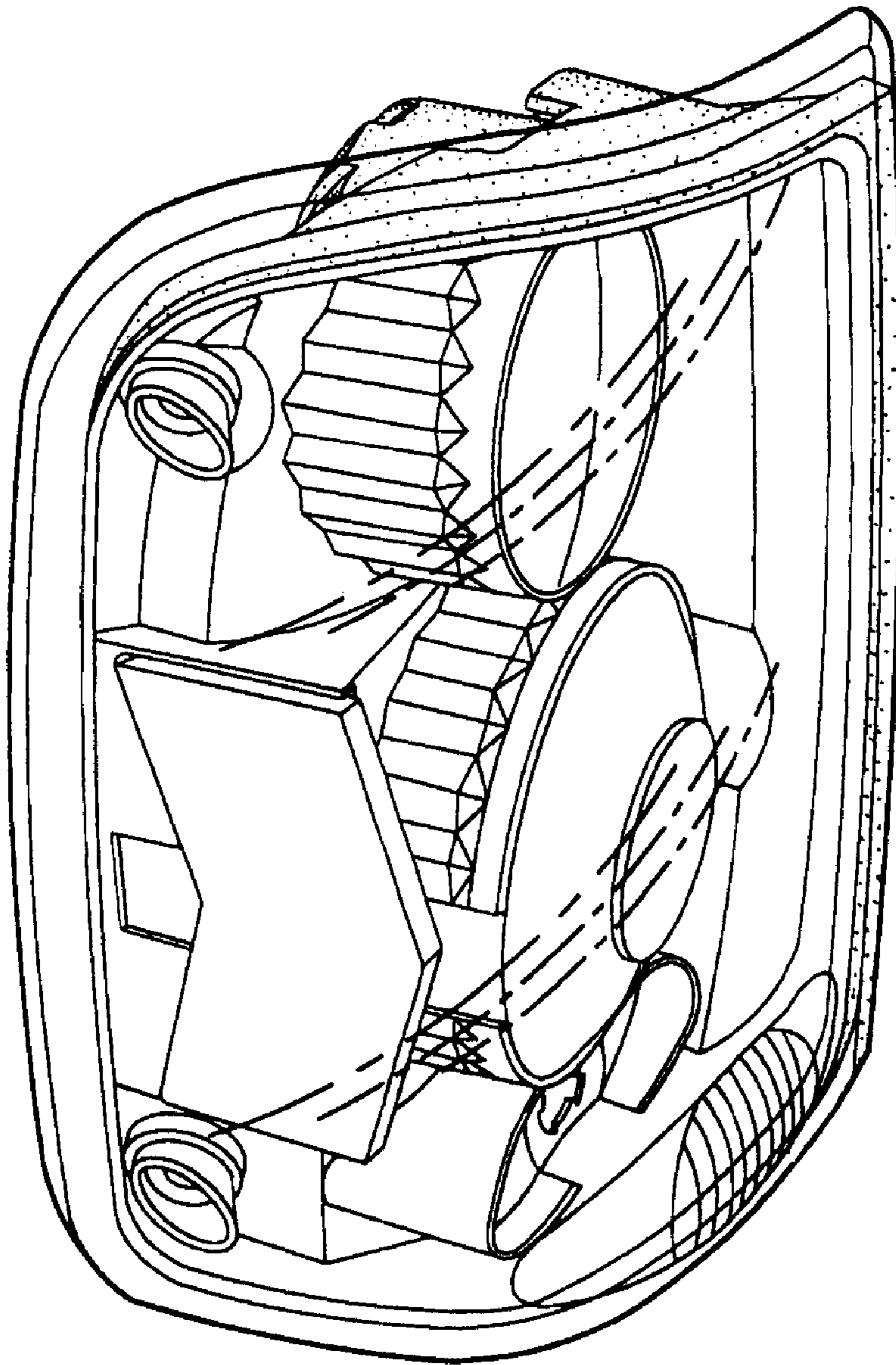


FIG. 1

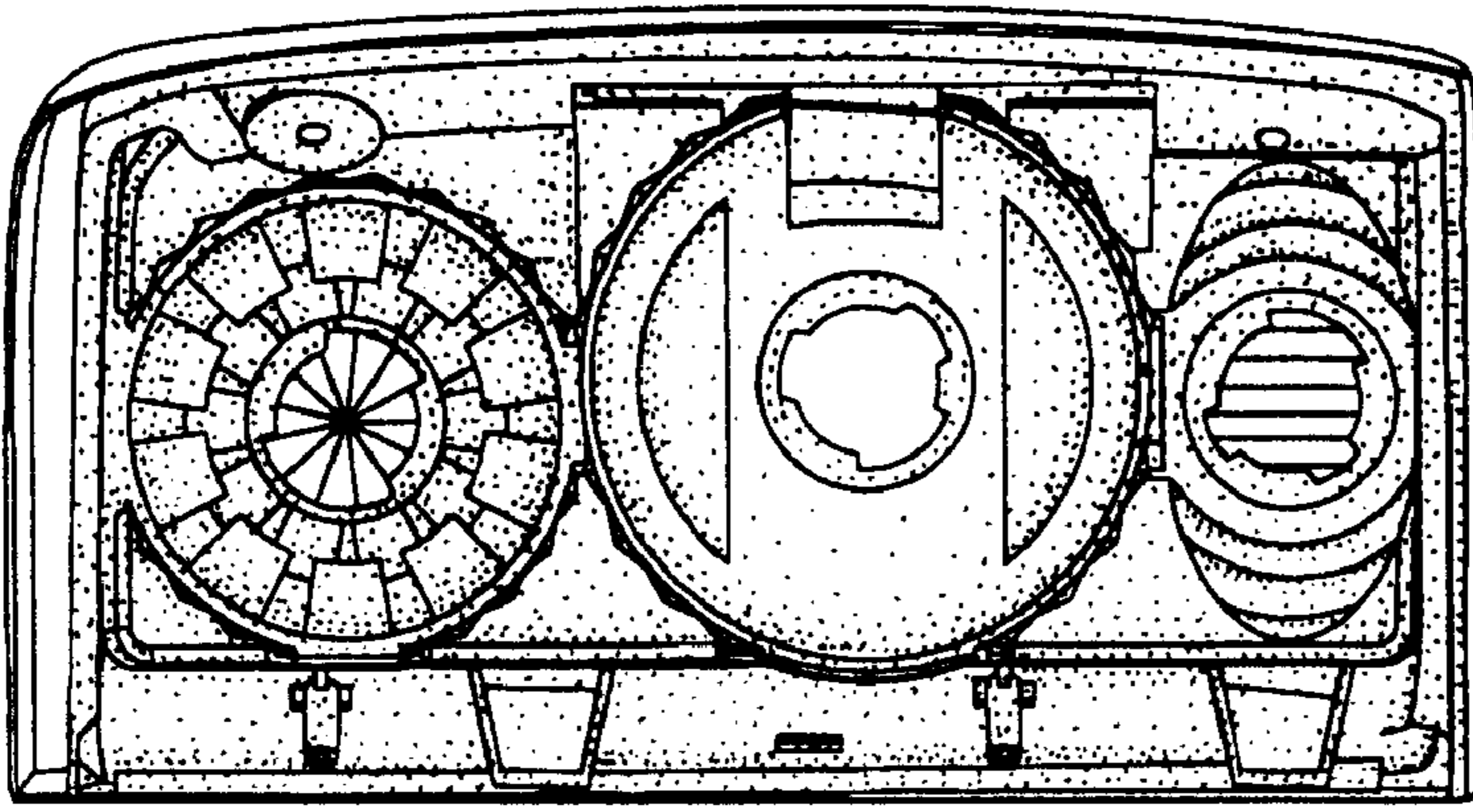


FIG. 3

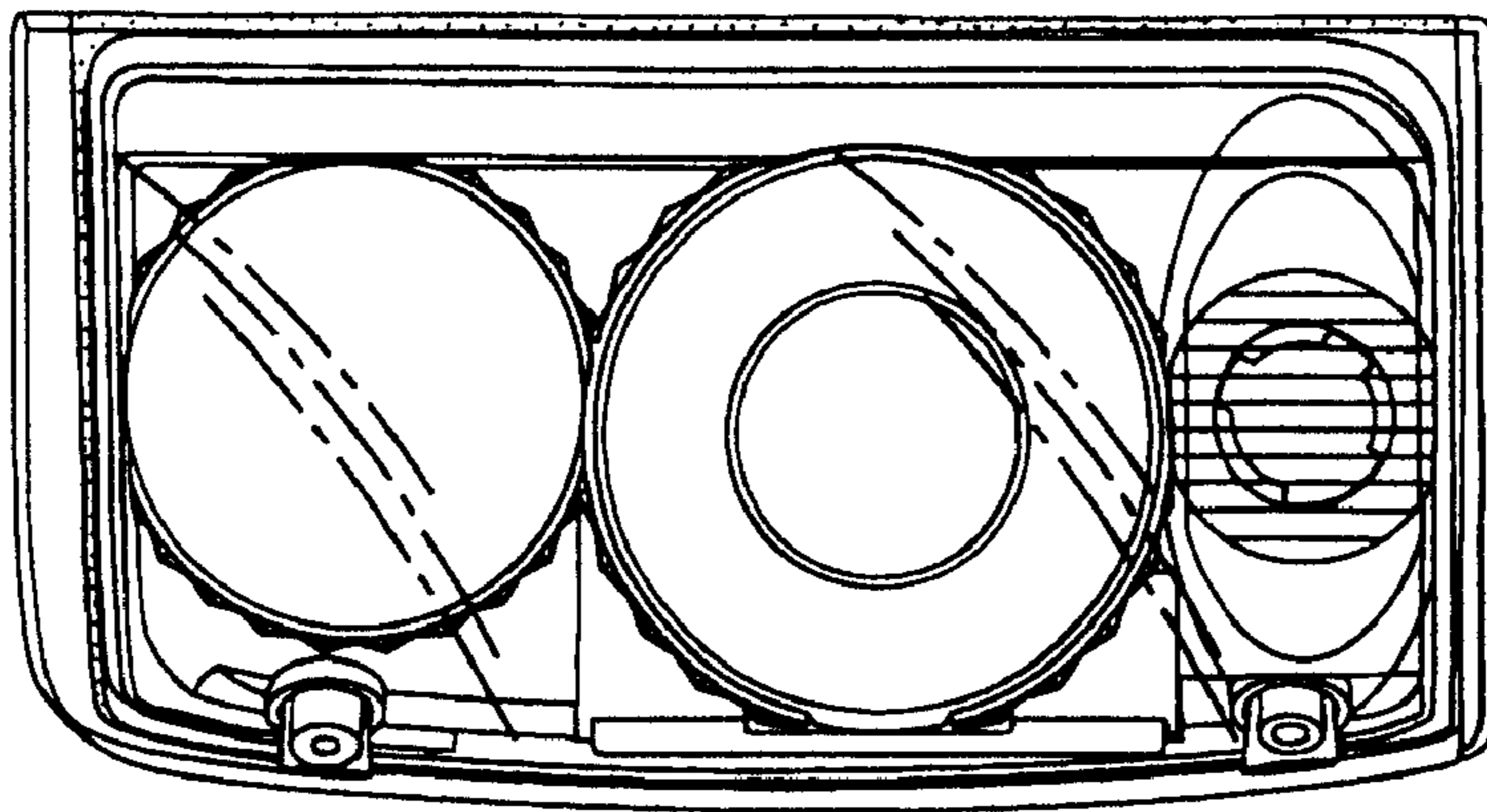


FIG. 2

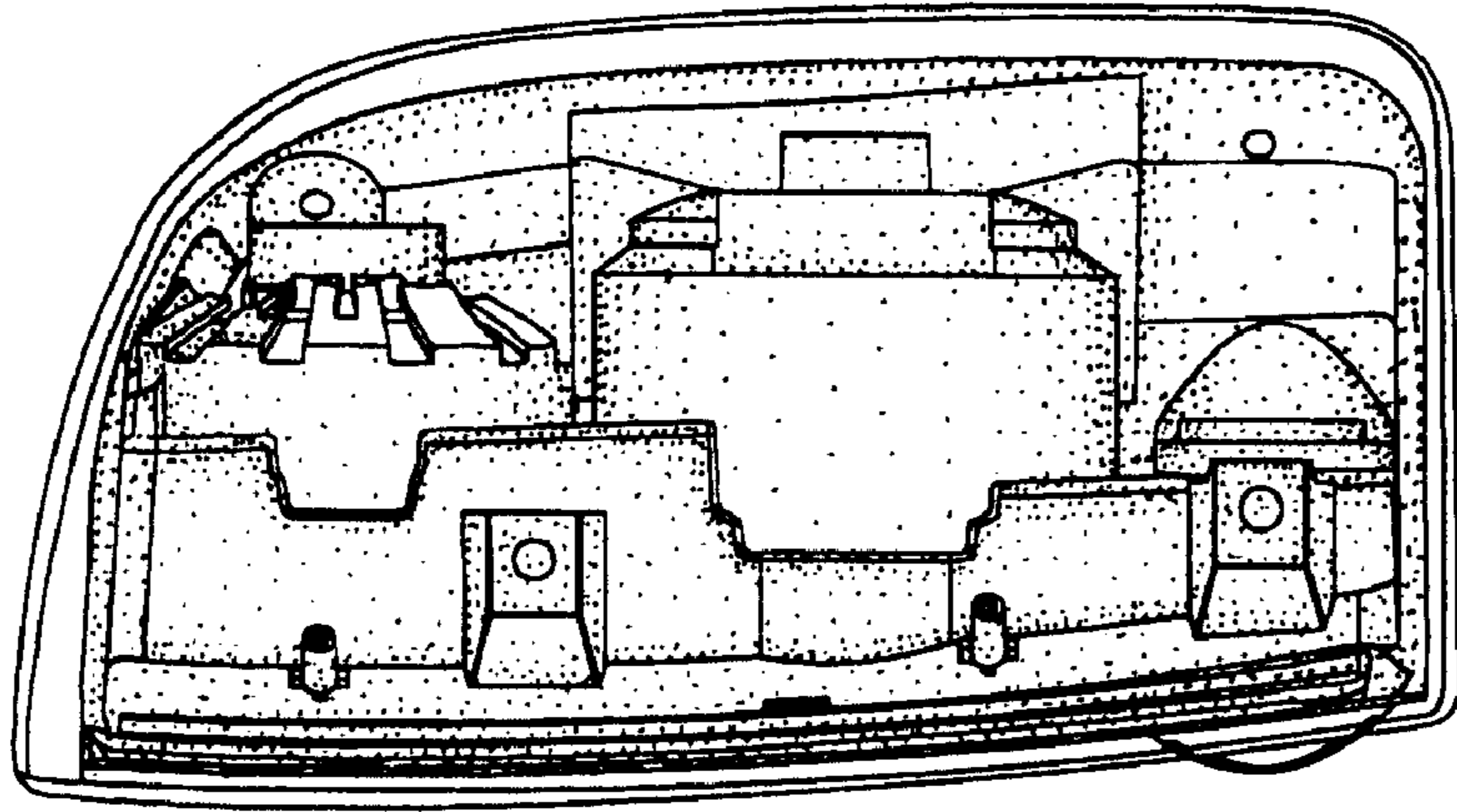


FIG. 5

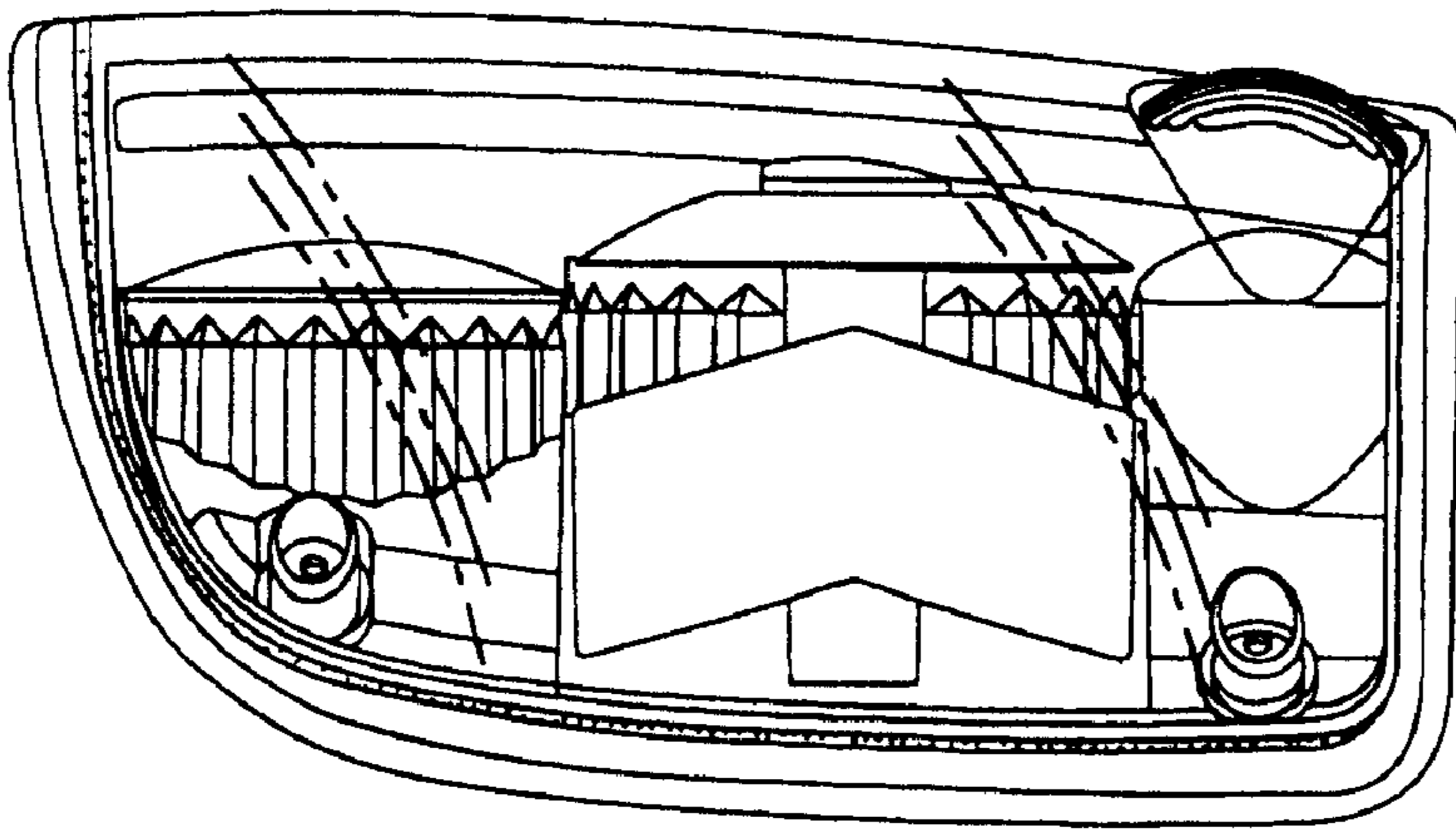


FIG. 4

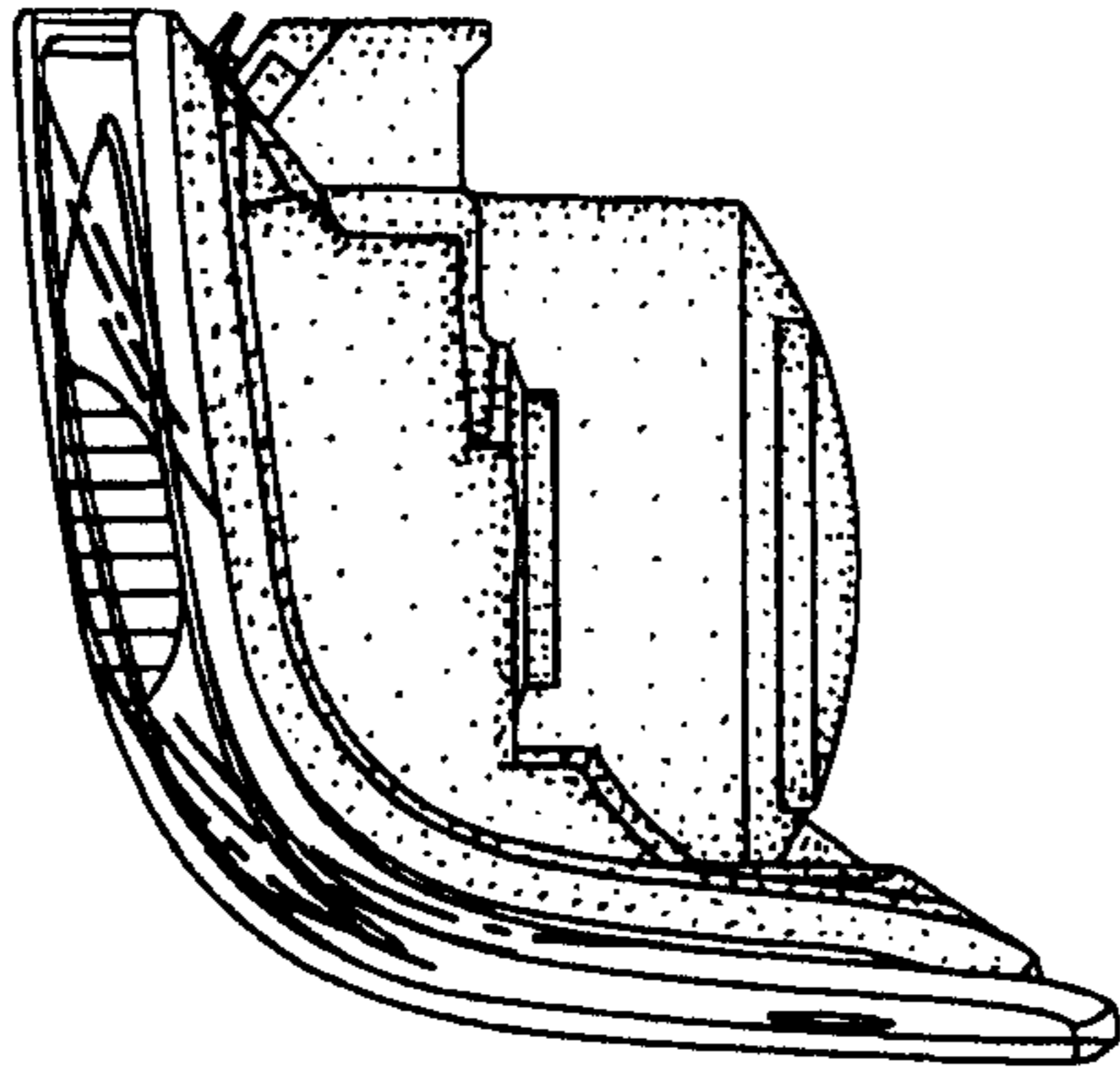


FIG. 7

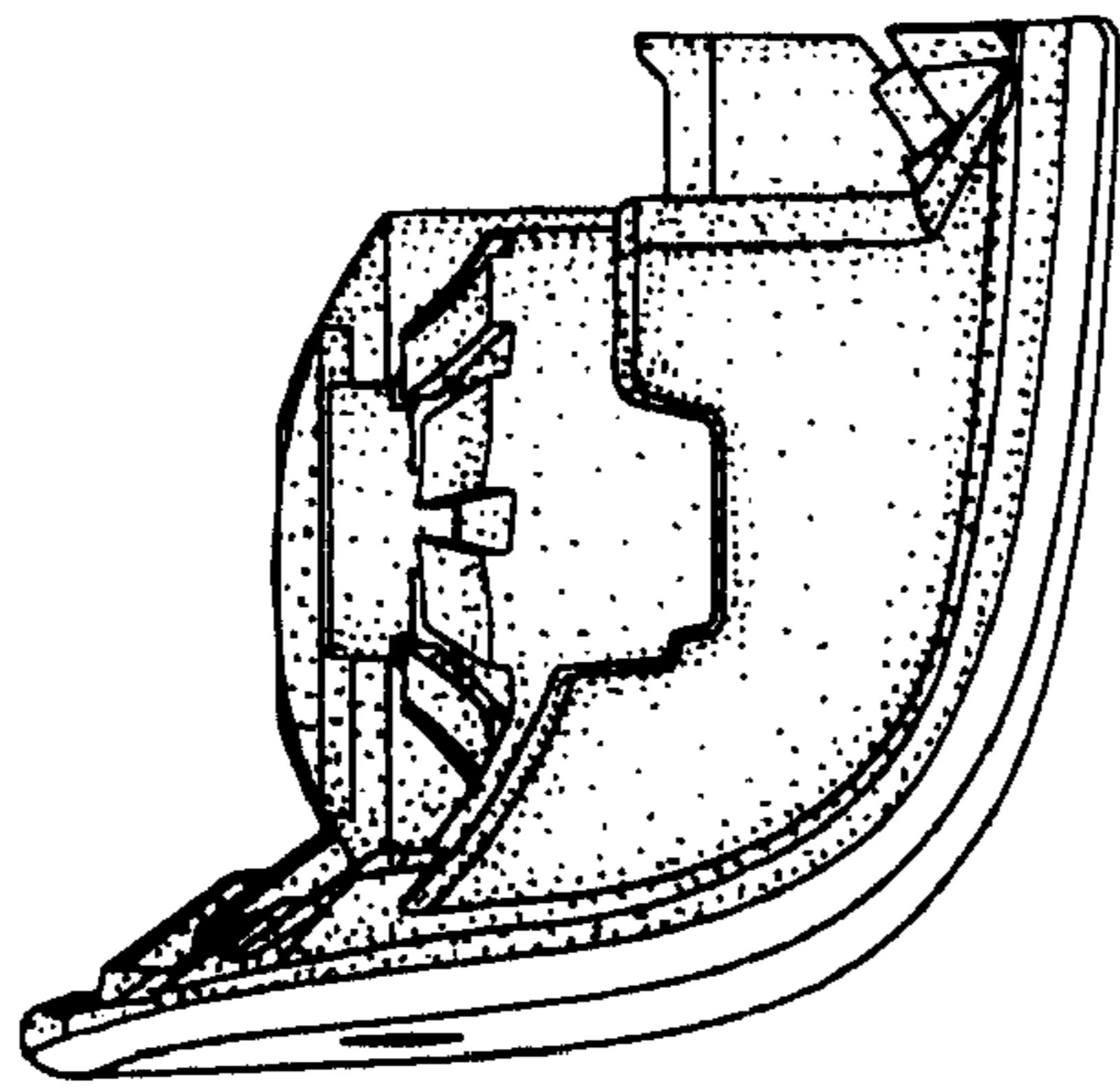


FIG. 6