

US00D467363S

(12) **United States Design Patent**
West

(10) **Patent No.:** **US D467,363 S**

(45) **Date of Patent:** **** Dec. 17, 2002**

(54) **CANDLE IN A TIN WITH A CARD**

(76) Inventor: **Thomas Ray West**, P.O. Box 65235,
Austin, TX (US) 79464

(**) Term: **14 Years**

(21) Appl. No.: **29/153,147**

(22) Filed: **Jan. 10, 2002**

(51) **LOC (7) Cl.** **26-01**

(52) **U.S. Cl.** **D26/10; D26/20; D19/2**

(58) **Field of Search** **D26/9, 10, 20,**
D26/22; 431/125, 126, 288, 146, 291; D9/436;
220/522; D19/2, 28

(56) **References Cited**

U.S. PATENT DOCUMENTS

D226,240 S	*	1/1973	Twedt	D23/220
D236,200 S	*	8/1975	Summers	D19/28
5,769,263 A	*	6/1998	Willingham et al.	220/522
D398,712 S	*	9/1998	Benton	D26/20
D412,538 S	*	8/1999	Reidlinger et al.	D9/436
D417,236 S	*	11/1999	Burrus	D19/28
D425,636 S	*	5/2000	Freeman	D26/6
6,171,102 B1	*	1/2001	Freeman et al.	431/291

* cited by examiner

Primary Examiner—Robin V. Taylor

(74) *Attorney, Agent, or Firm*—Aaron R. Clements; Hurley,
Reyes & Guinn

(57) **CLAIM**

The ornamental design for the combination of a candle in a tin with a card, as shown and described.

DESCRIPTION

The present application discloses a combination of a candle formed inside a cylindrical tin with a card affixed to the inside of the lid of the tin. This combination is intended to be used as a gift item for special occasions, with the candle used in the ordinary manner and the card customizable for the particular occasion.

FIG. 1 shows an oblique view of the combination (tin with lid, tin closed).

FIG. 2 shows a top view of the combination (tin lid visible, tin closed).

FIG. 3 shows a side view of the combination (tin with lid, tin closed).

FIG. 4 shows a bottom view of the combination (bottom of tin, portion of lid visible).

FIG. 5 shows a side view of the combination of the tin lid and card (card open).

FIG. 6 shows a bottom view of the combination of the tin lid and card (card open).

FIG. 7 shows a top view of the combination (tin lid visible).

FIG. 8 shows a side view of the combination of the tin lid and card (card open).

FIG. 9 shows an oblique view of the combination of the tin lid and card from a perspective above the combination; and,

FIG. 10 shows an oblique view of the combination of the tin lid and card from a perspective beneath the combination.

1 Claim, 5 Drawing Sheets

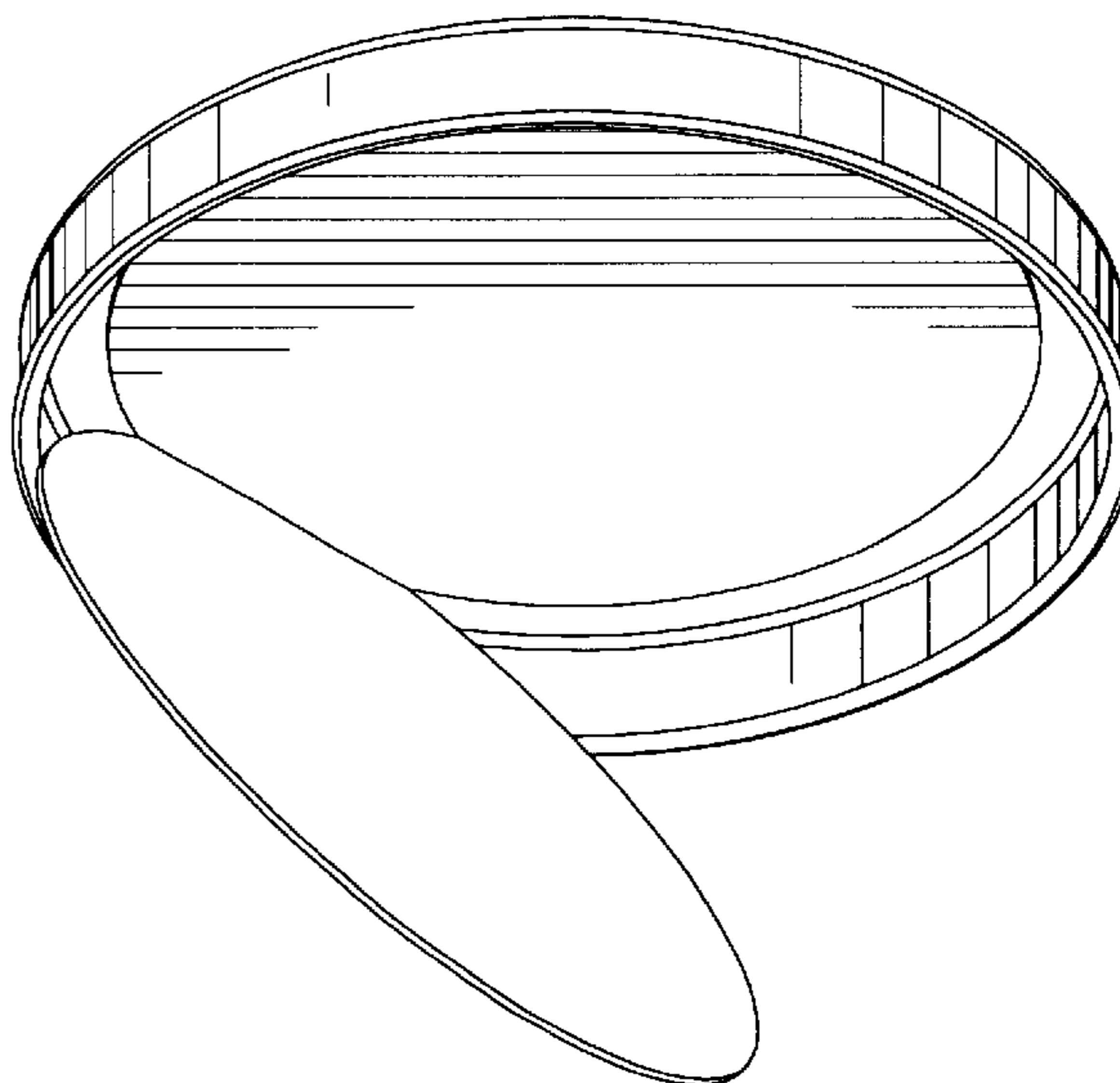
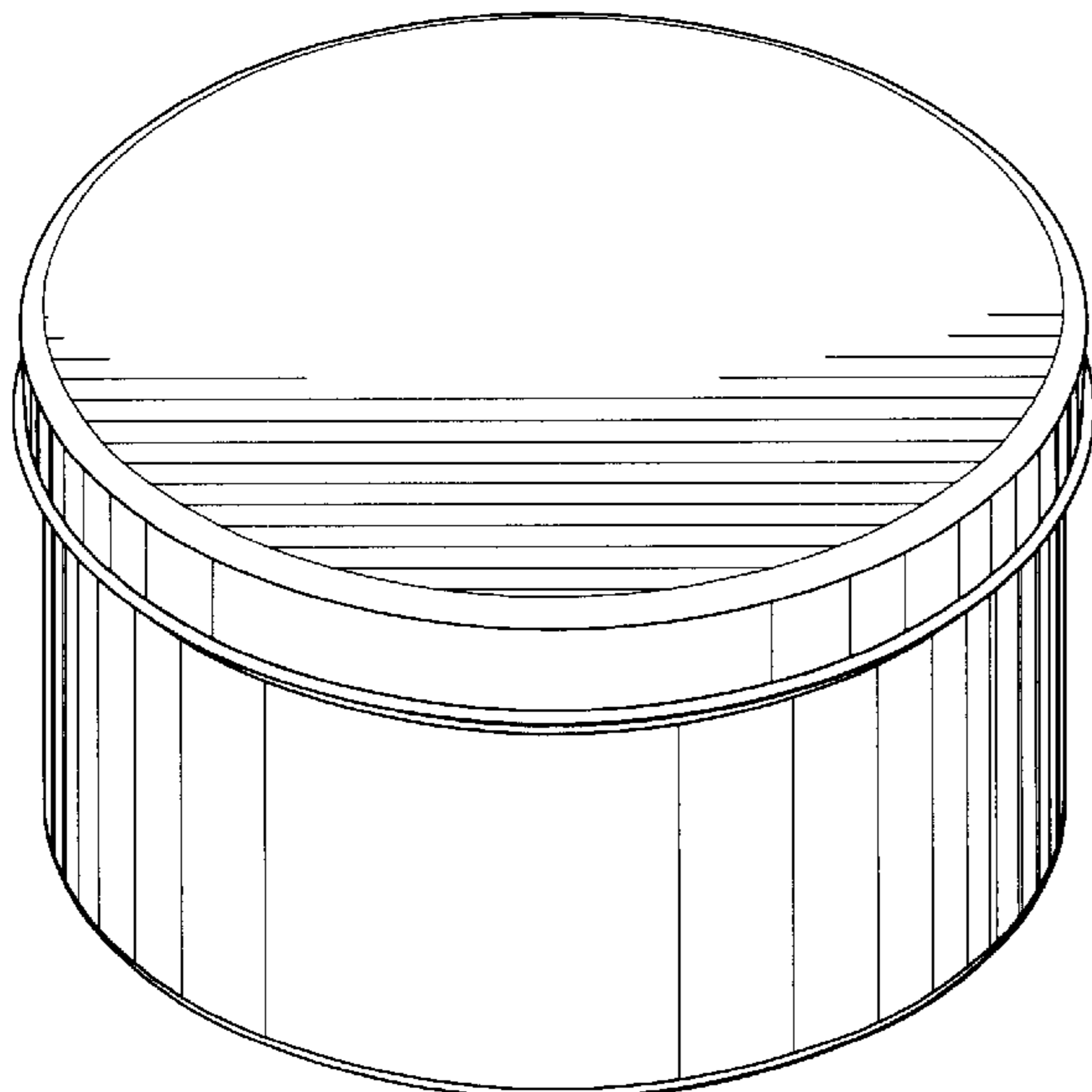


FIG 1

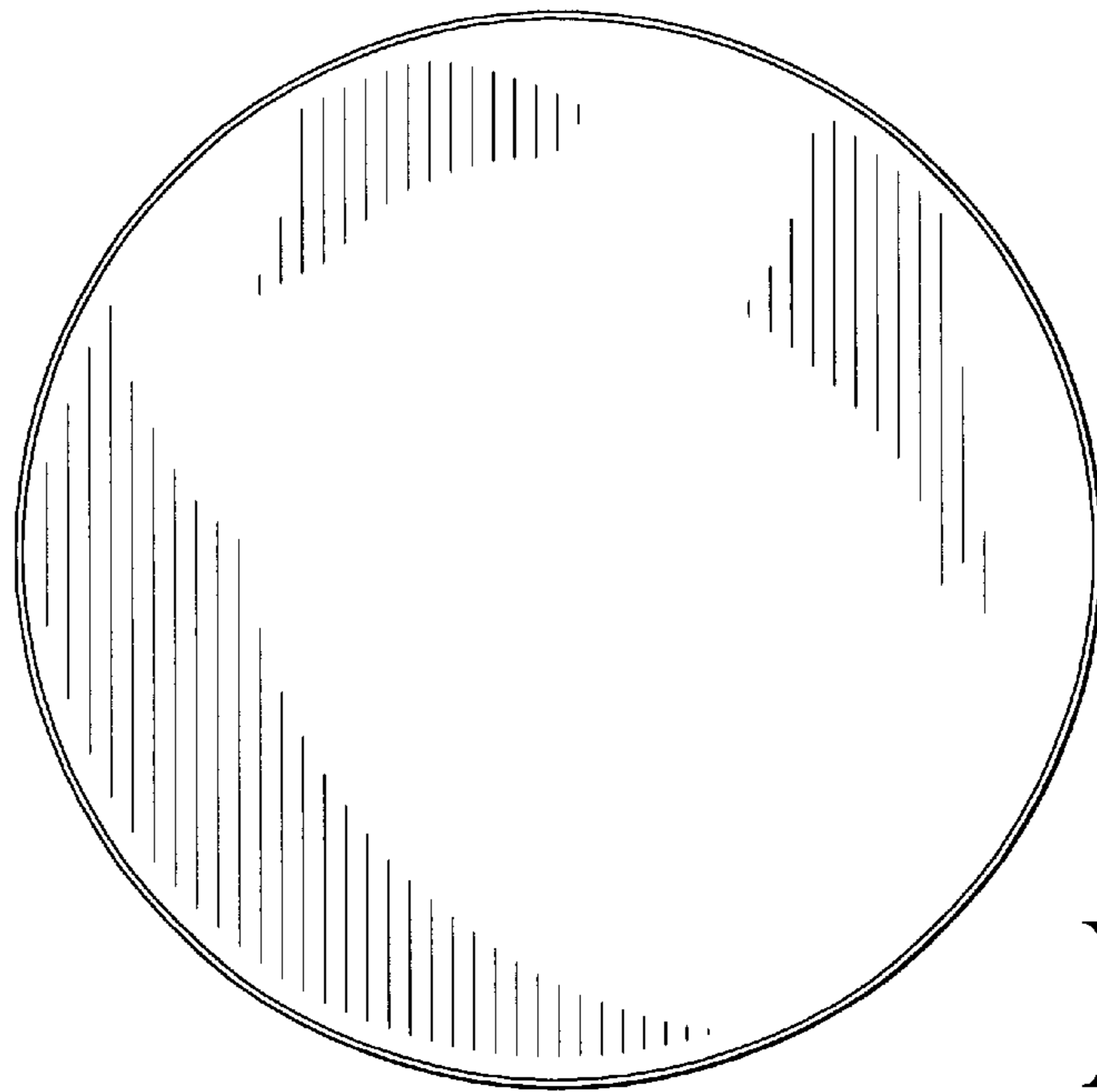
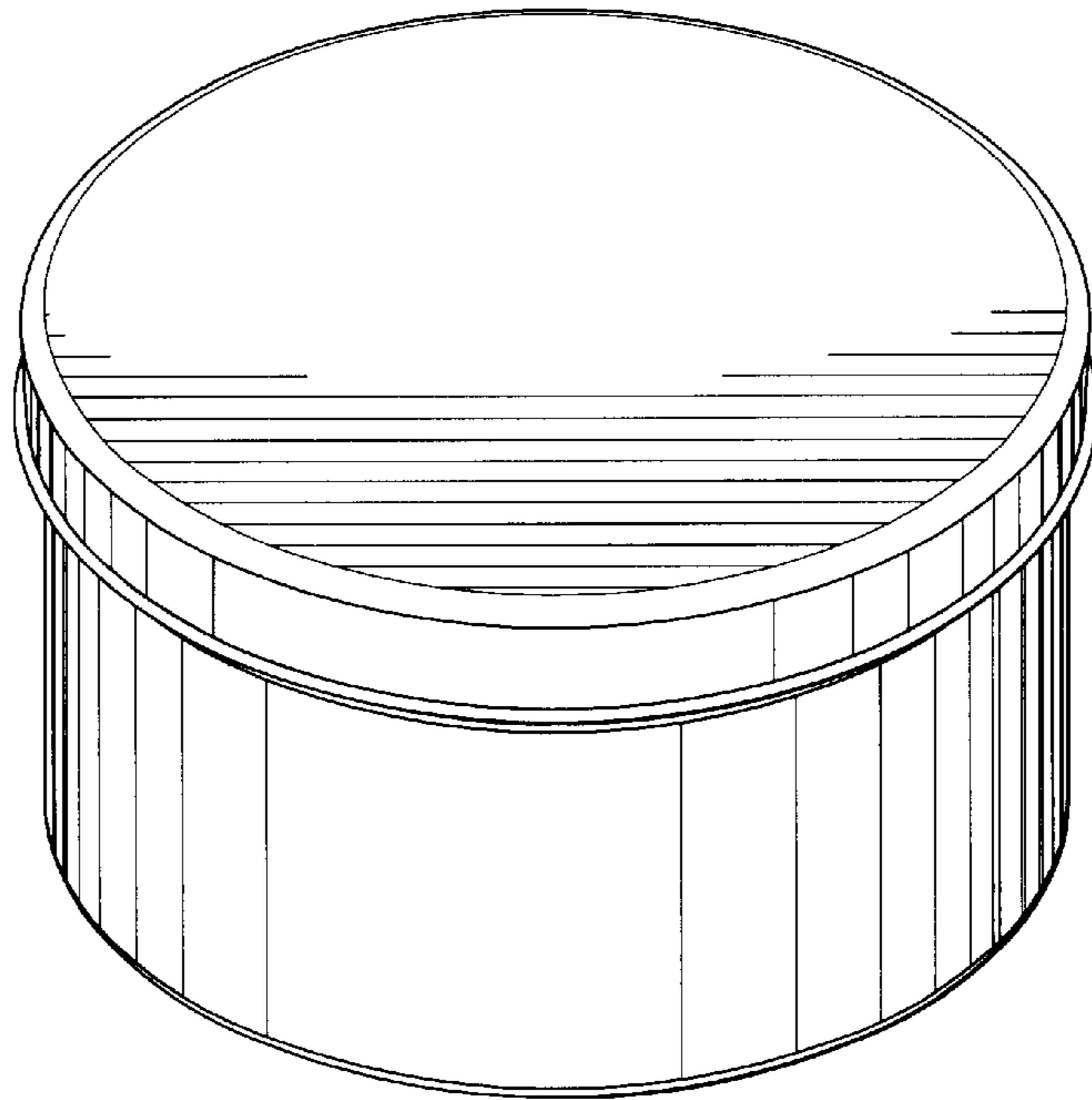


FIG 2

FIG 3

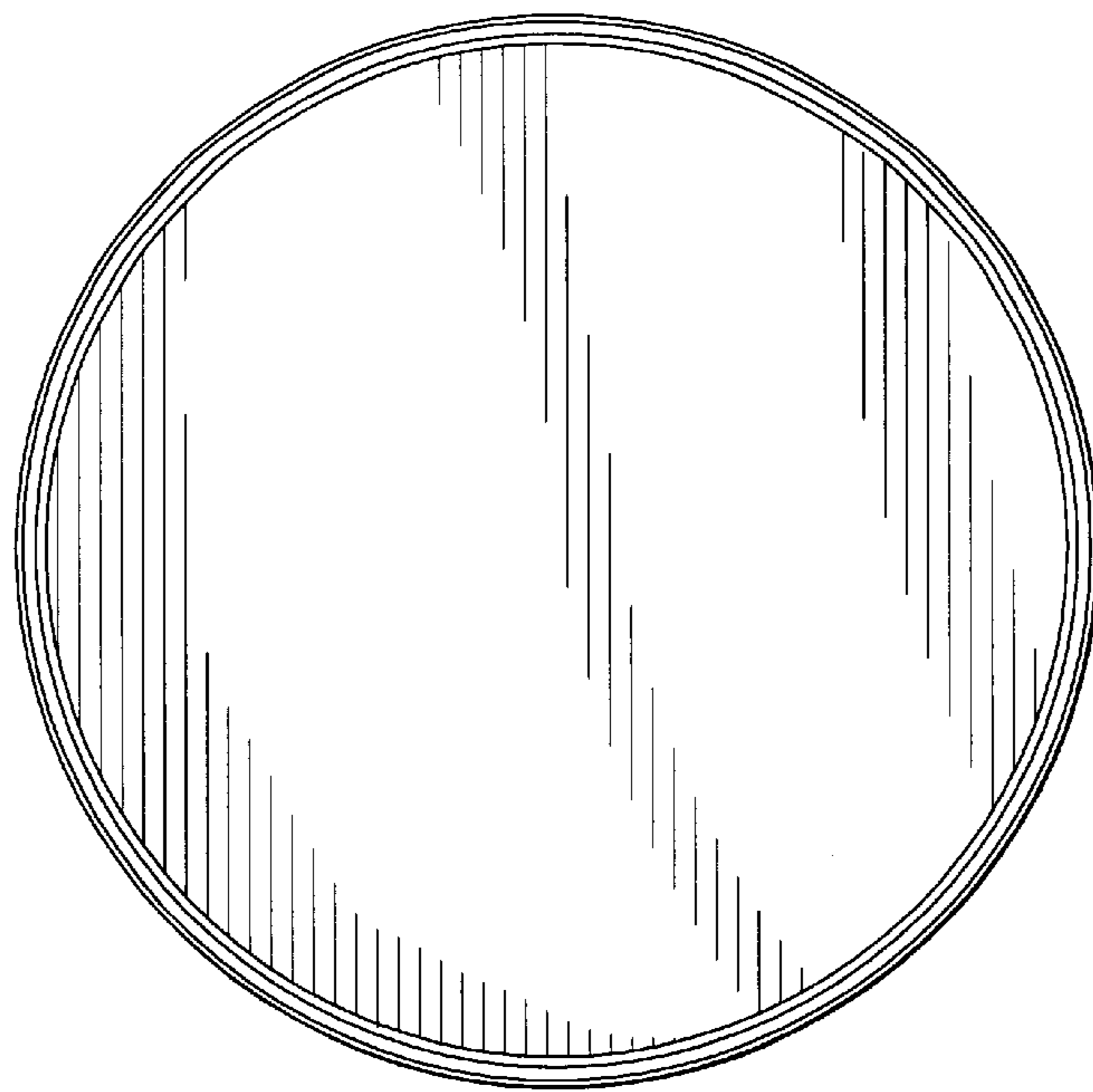
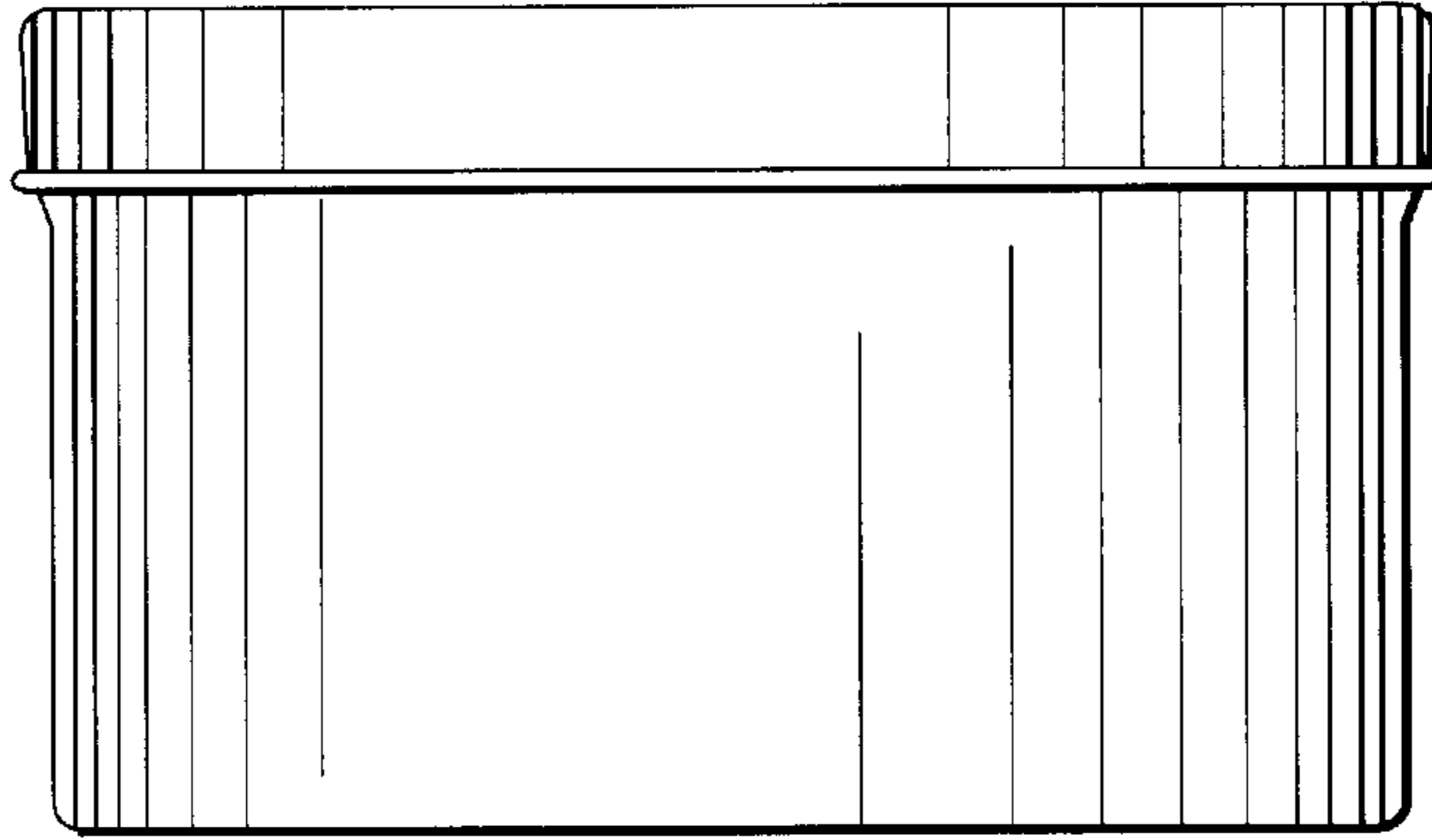


FIG 4

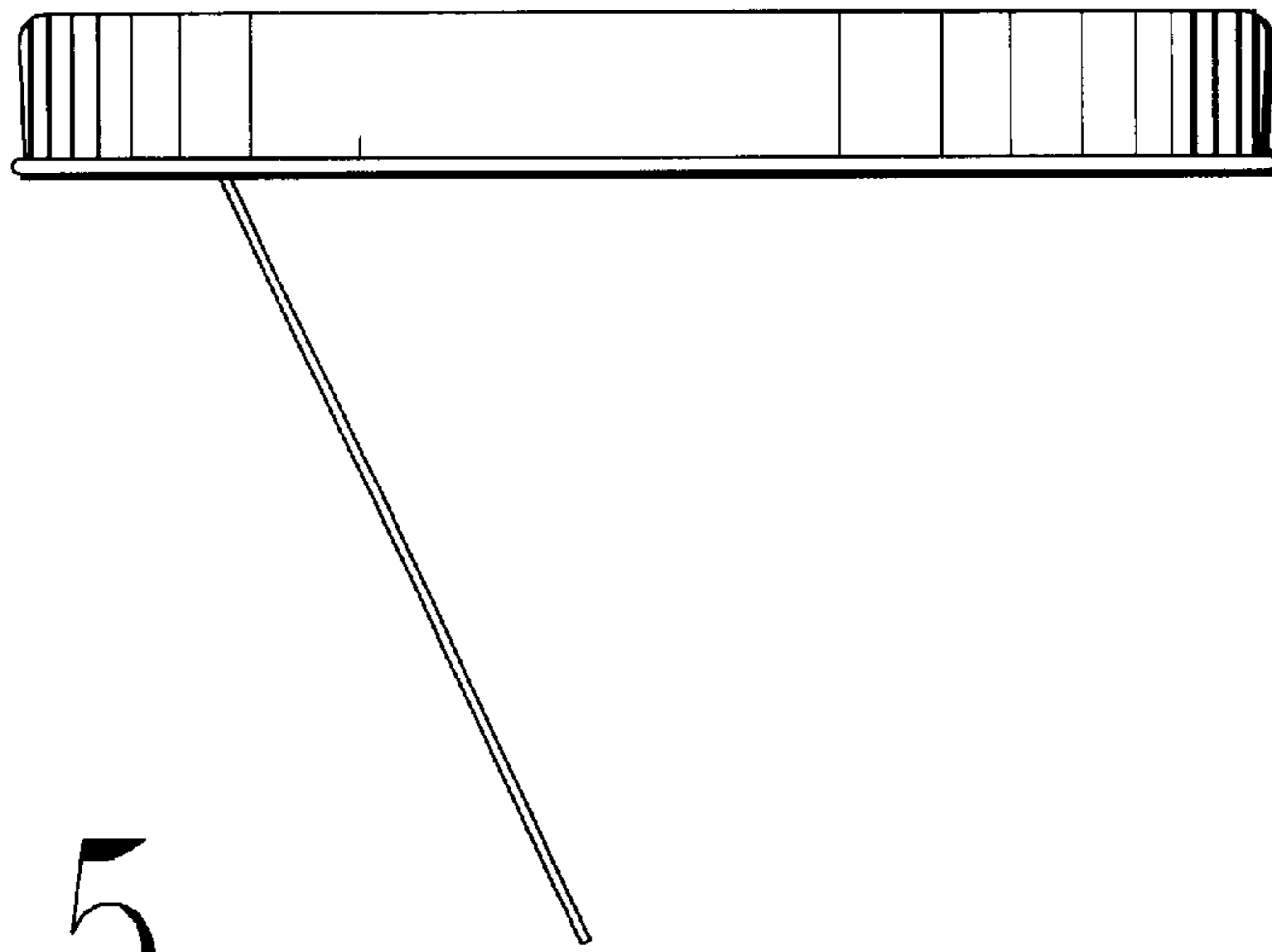


FIG 5

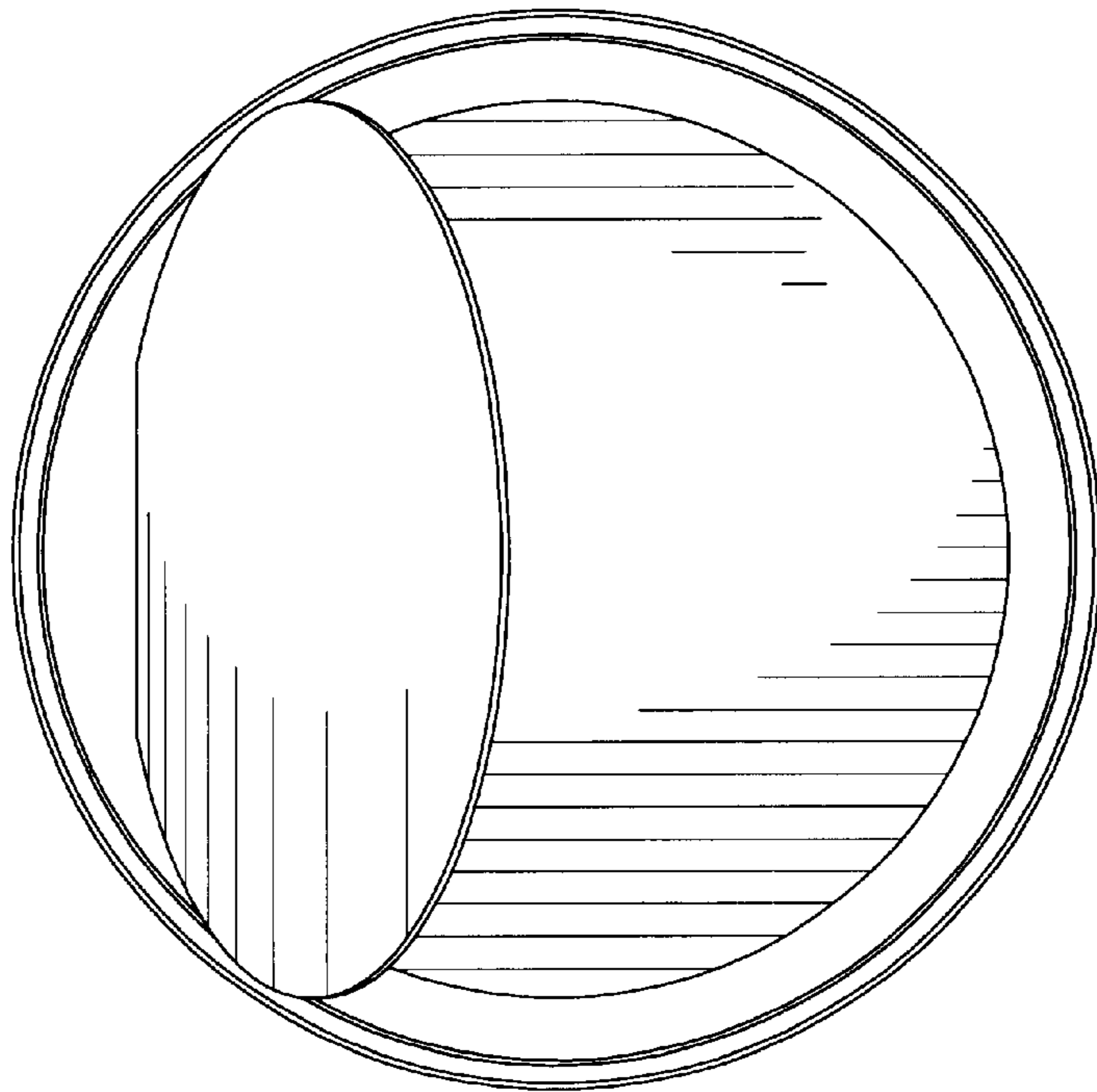


FIG 6

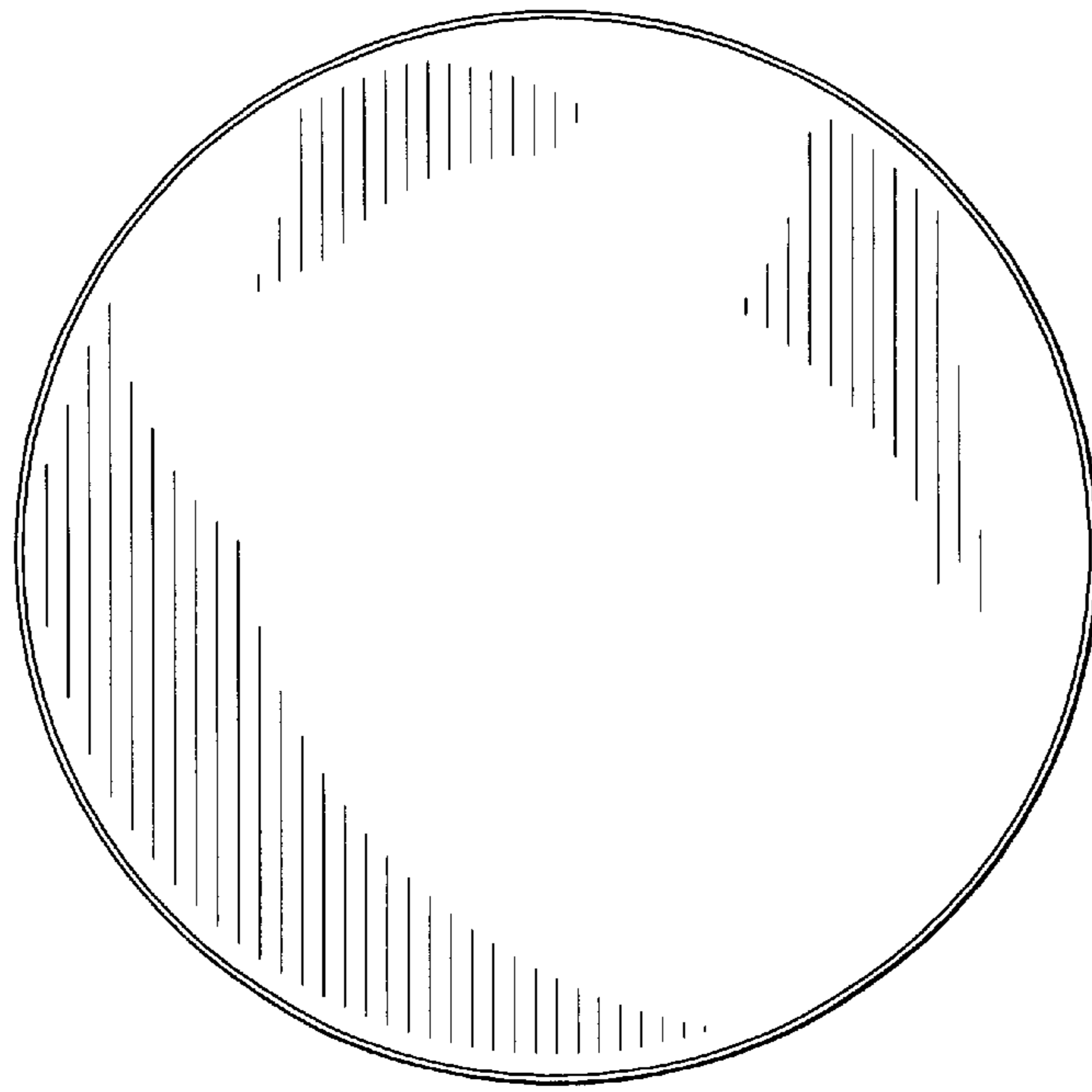


FIG 7

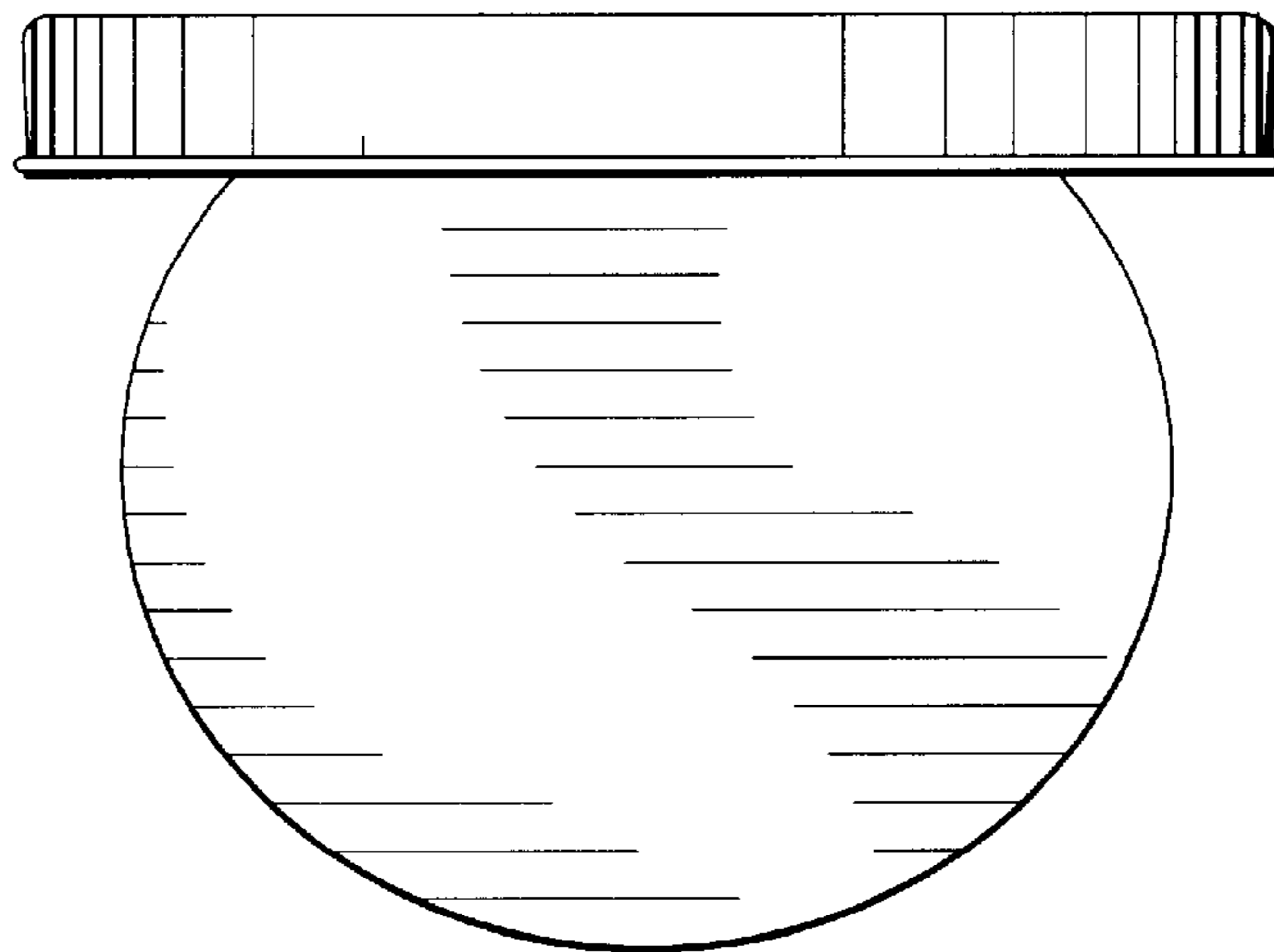


FIG 8

FIG 9

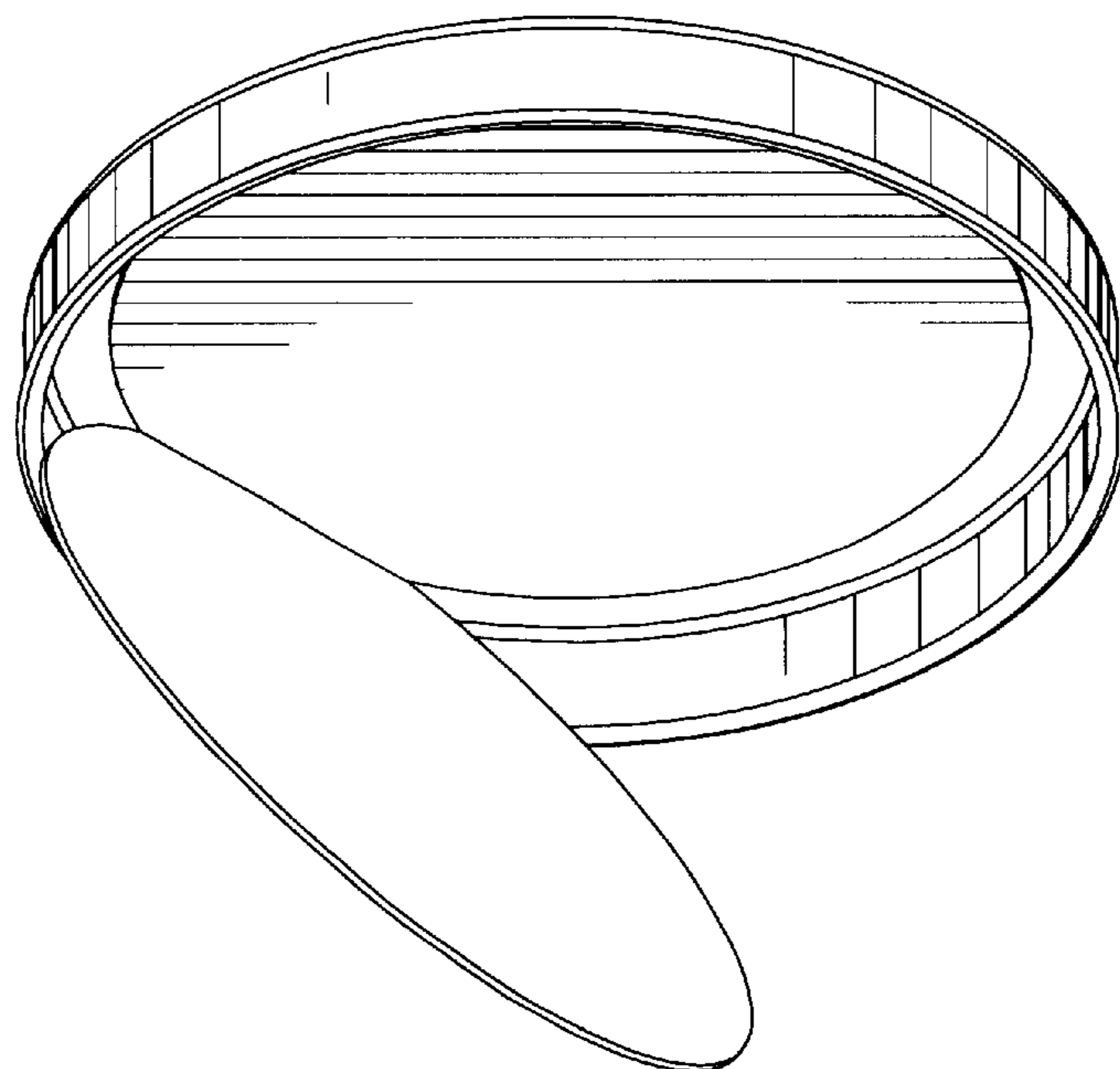
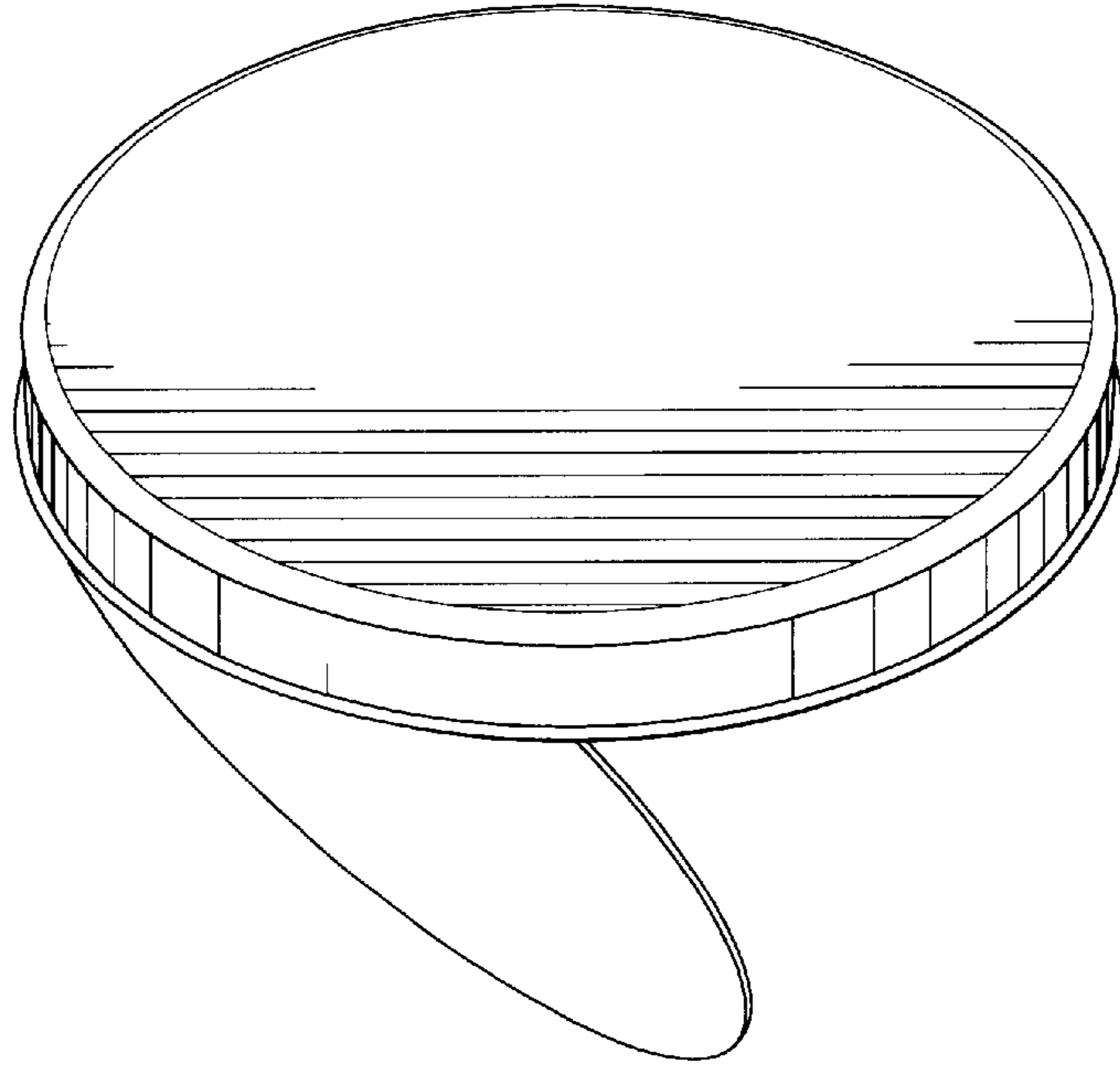


FIG 10