



US00D467359S

(12) **United States Design Patent**
Yiu

(10) **Patent No.:** **US D467,359 S**

(45) **Date of Patent:** **** Dec. 17, 2002**

(54) **FLUORESCENT LAMP**

(74) *Attorney, Agent, or Firm*—Merchant & Gould

(76) **Inventor:** **Newman Lau Man Yiu**, 17th Floor,
Room 1710, Regent Center, Tower A,
63 Wo Yi Hop Road, Kwai Chung (HK)

(57) **CLAIM**

The ornamental design for a fluorescent lamp, as shown and described.

(**) **Term:** **14 Years**

DESCRIPTION

(21) **Appl. No.:** **29/155,264**

FIG. 1 is an isometric view showing the front, top and left side of my ornamental design for a light fixture, with phantom lines indicating such utilitarian features as stand offs and an electric cord which form no part of the claimed design.

(22) **Filed:** **Feb. 6, 2002**

(51) **LOC (7) Cl.** **26-04**

(52) **U.S. Cl.** **D26/3**

(58) **Field of Search** D26/1, 2, 3; 313/313,
313/317, 318, 493, 497, 567, 569, 512,
488; 315/56, 57, 58, 73

FIG. 2 is a left side elevational view of the fixture of FIG. 1;

FIG. 3 is a right side elevational view of the fixture of FIG. 1;

(56) **References Cited**

U.S. PATENT DOCUMENTS

D260,441 S * 8/1981 Ariga et al. D26/3

D418,936 S * 1/2000 Dunning D26/3

FIG. 4 is a top plan view of the fixture of FIG. 1;

FIG. 5 is a front elevational view of the fixture of FIG. 1;

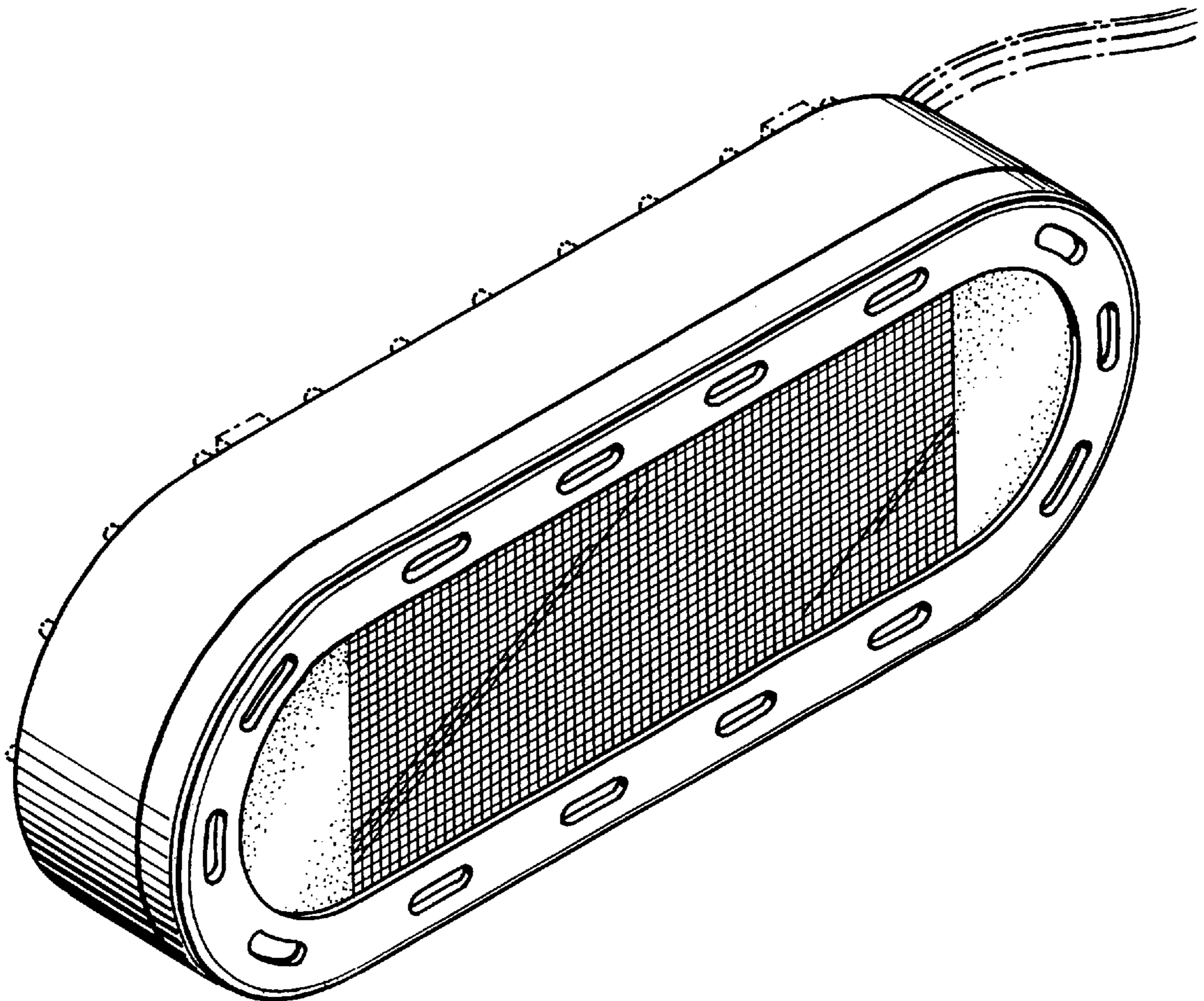
FIG. 6 is a bottom plan view of the fixture of FIG. 1; and,

FIG. 7 is a rear elevational view of the fixture of FIG. 1 with phantom lines indicating utilitarian features which form no part of the claimed design.

* cited by examiner

Primary Examiner—Marcus A. Jackson

1 Claim, 2 Drawing Sheets



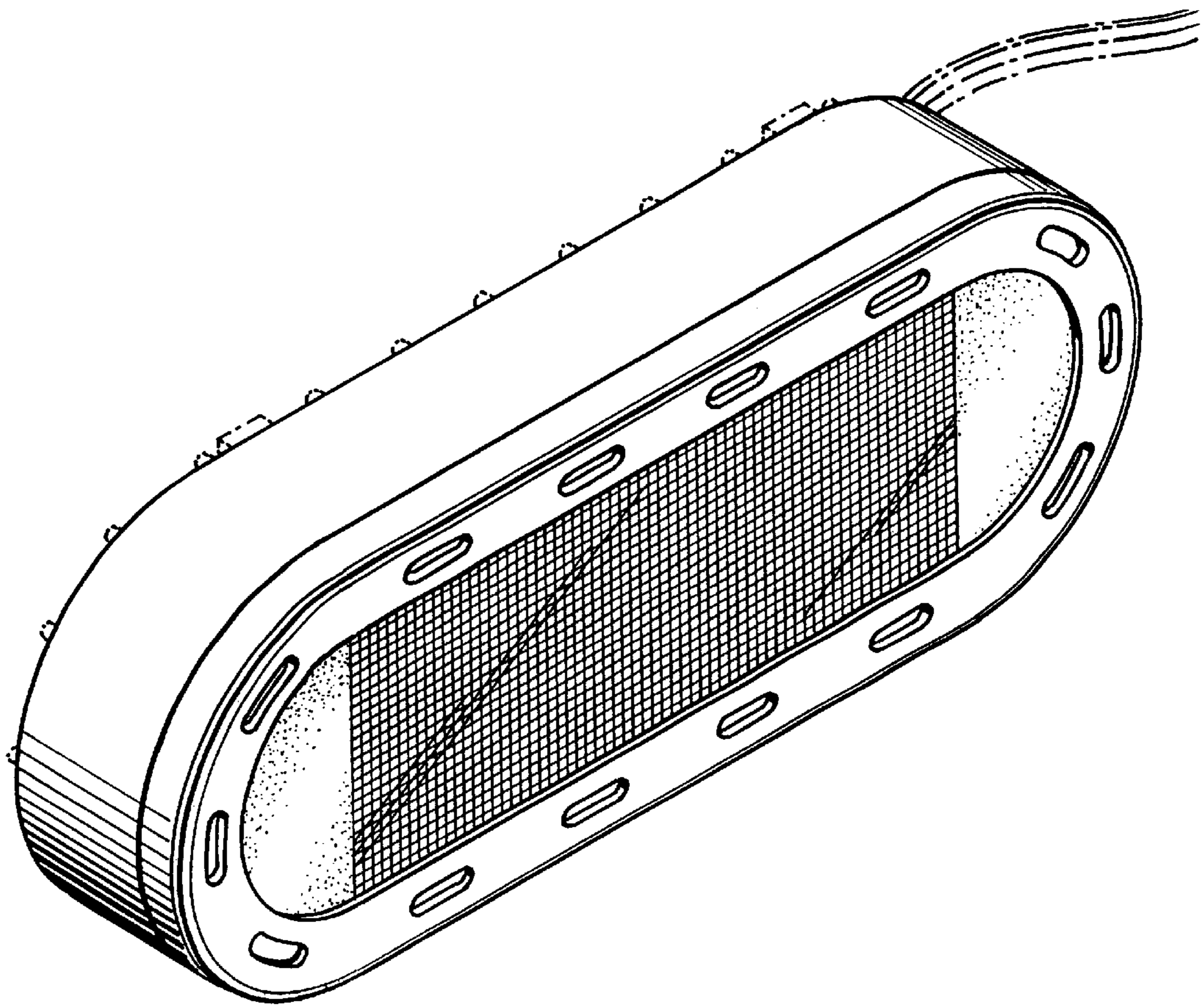


FIG 1

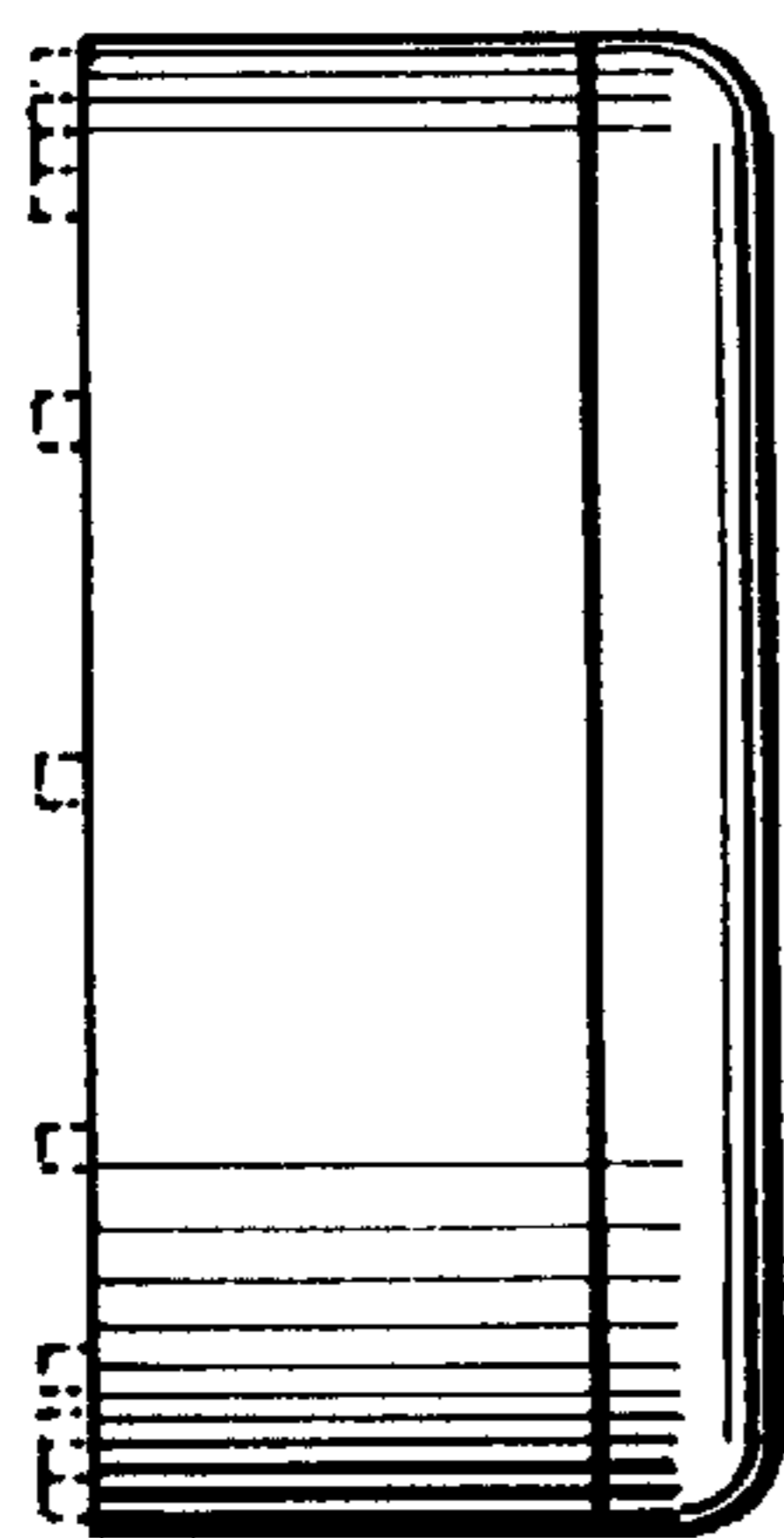


FIG 2

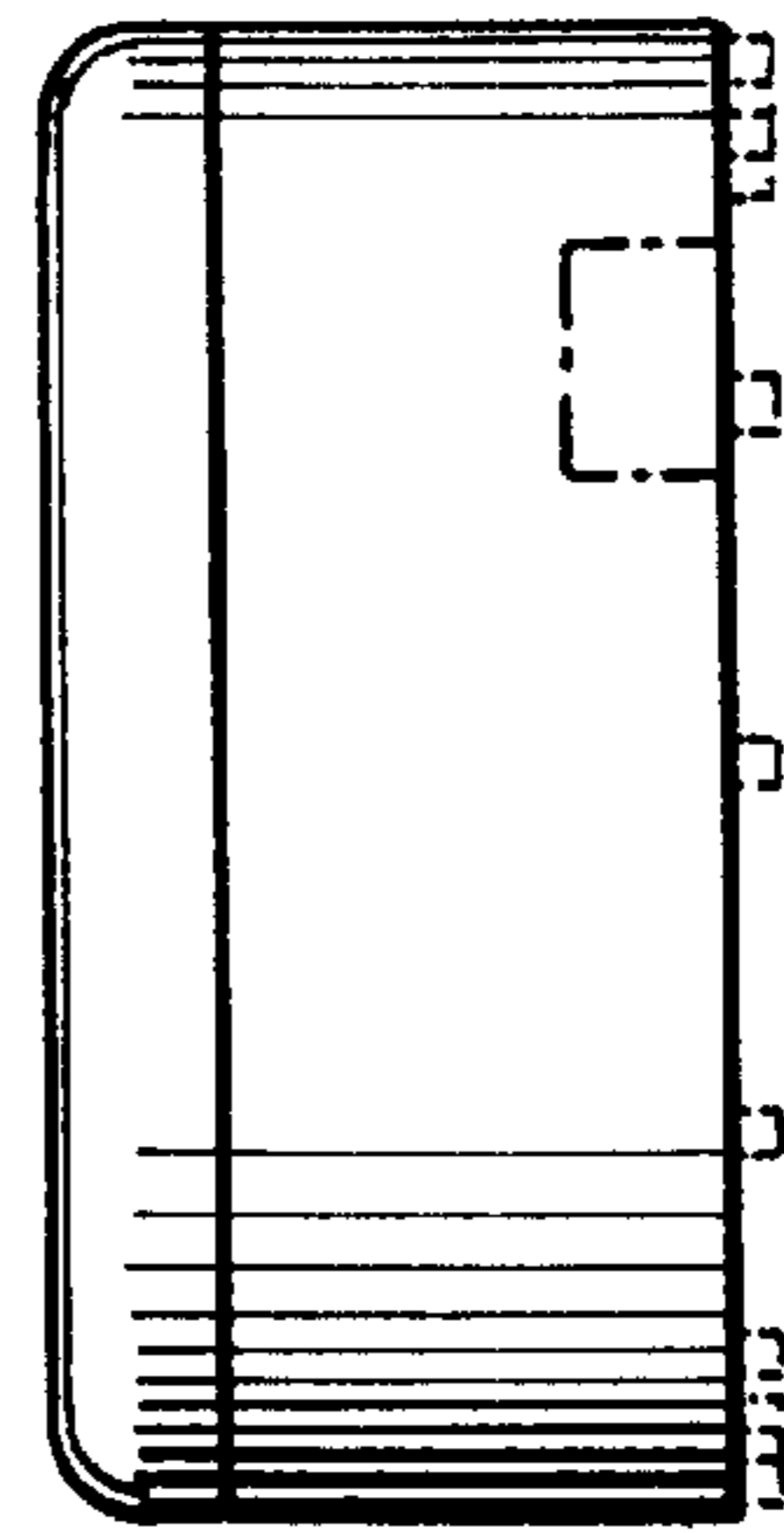


FIG 3

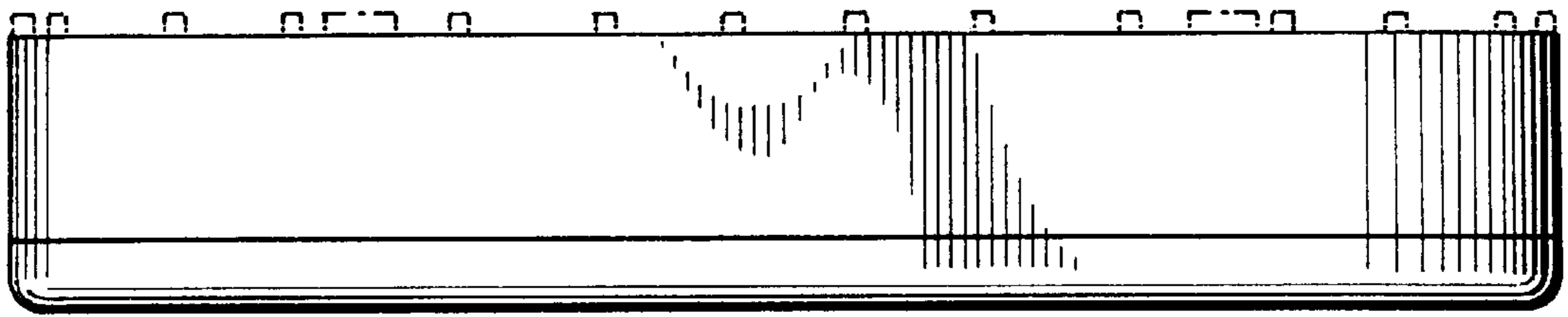


FIG 4

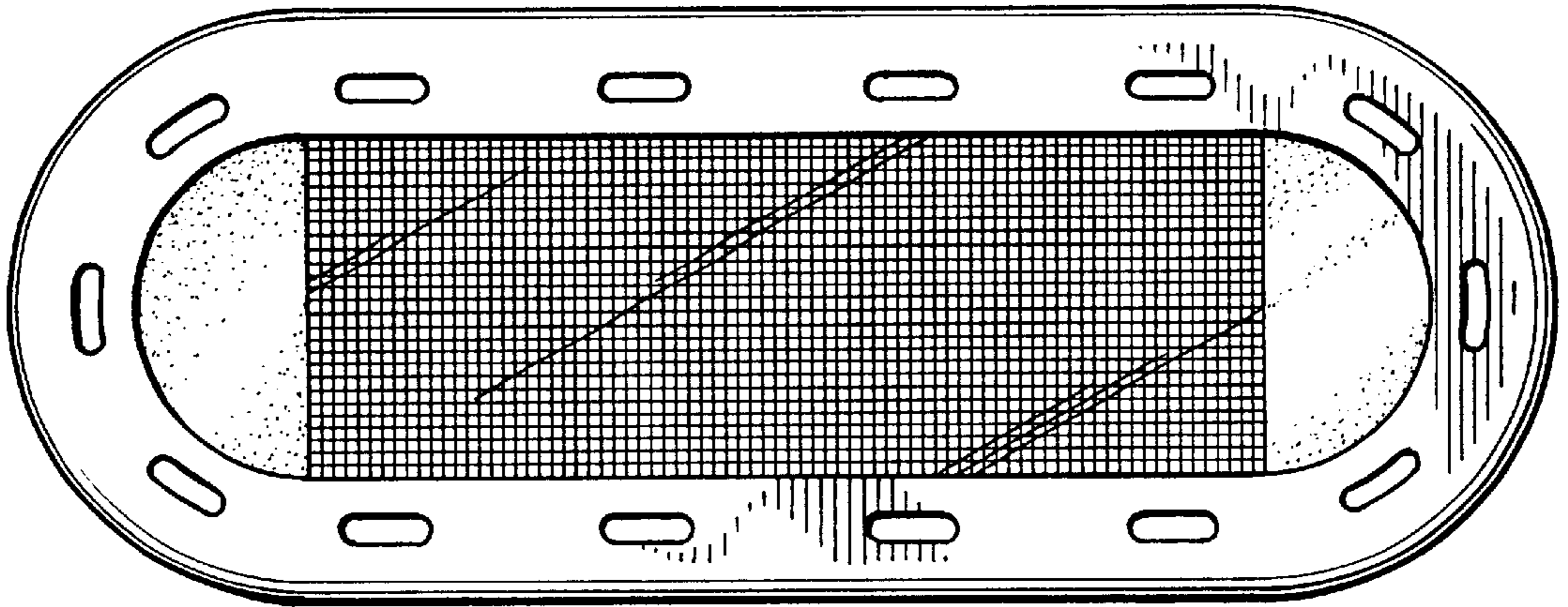


FIG 5

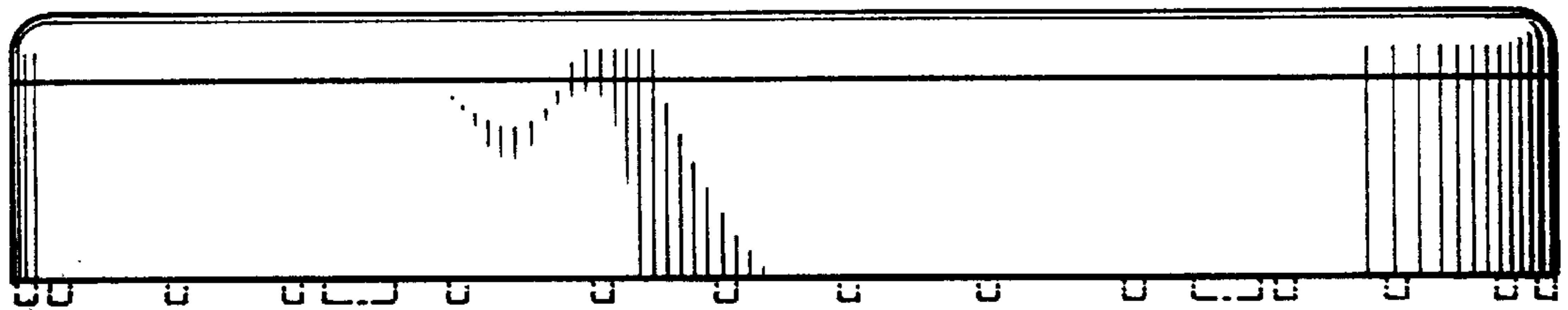


FIG 6

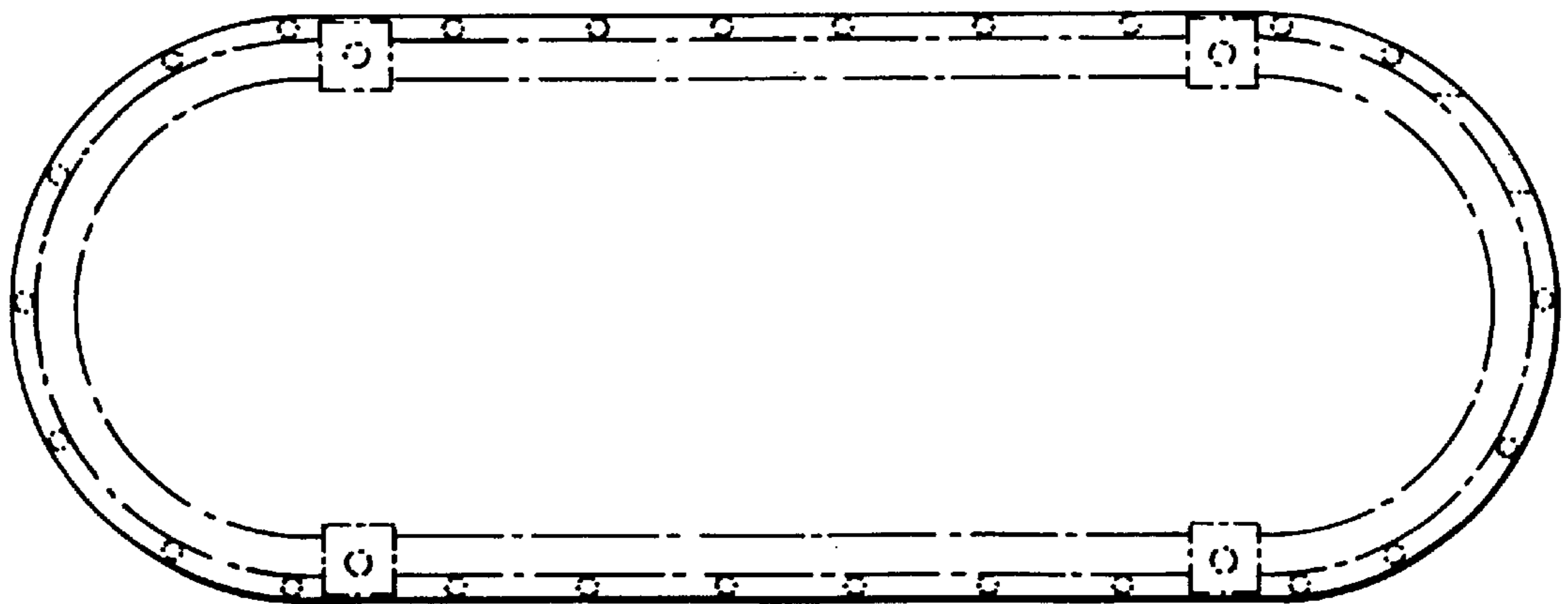


FIG 7