



US00D467358S

(12) **United States Design Patent**
Morris

(10) **Patent No.:** **US D467,358 S**

(45) **Date of Patent:** **** Dec. 17, 2002**

(54) **TUNGSTEN HALOGEN LAMP**

D424,218 S * 5/2000 Yu D26/2
D433,167 S * 10/2000 Yin D26/2

(75) Inventor: **Merle E. Morris**, Lexington, KY (US)

* cited by examiner

(73) Assignee: **Osram Sylvania Inc.**, Danvers, MA (US)

Primary Examiner—Marcus A. Jackson
(74) *Attorney, Agent, or Firm*—William E. Meyer

(**) Term: **14 Years**

(57) **CLAIM**

(21) Appl. No.: **29/158,833**

The ornamental design for a tungsten halogen lamp, as shown and described.

(22) Filed: **Apr. 11, 2002**

(51) **LOC (7) Cl.** **26-04**

DESCRIPTION

(52) **U.S. Cl.** **D26/2**

(58) **Field of Search** D26/1, 2, 3, 4,
D26/26; 313/111, 113, 315, 318; 262/326,
327, 328, 329, 330-340

FIG. 1 is a perspective view of a tungsten halogen lamp illustrating my new design;

FIG. 2 is a right side view thereof, all sides being similar;

FIG. 3 is a front view thereof; and,

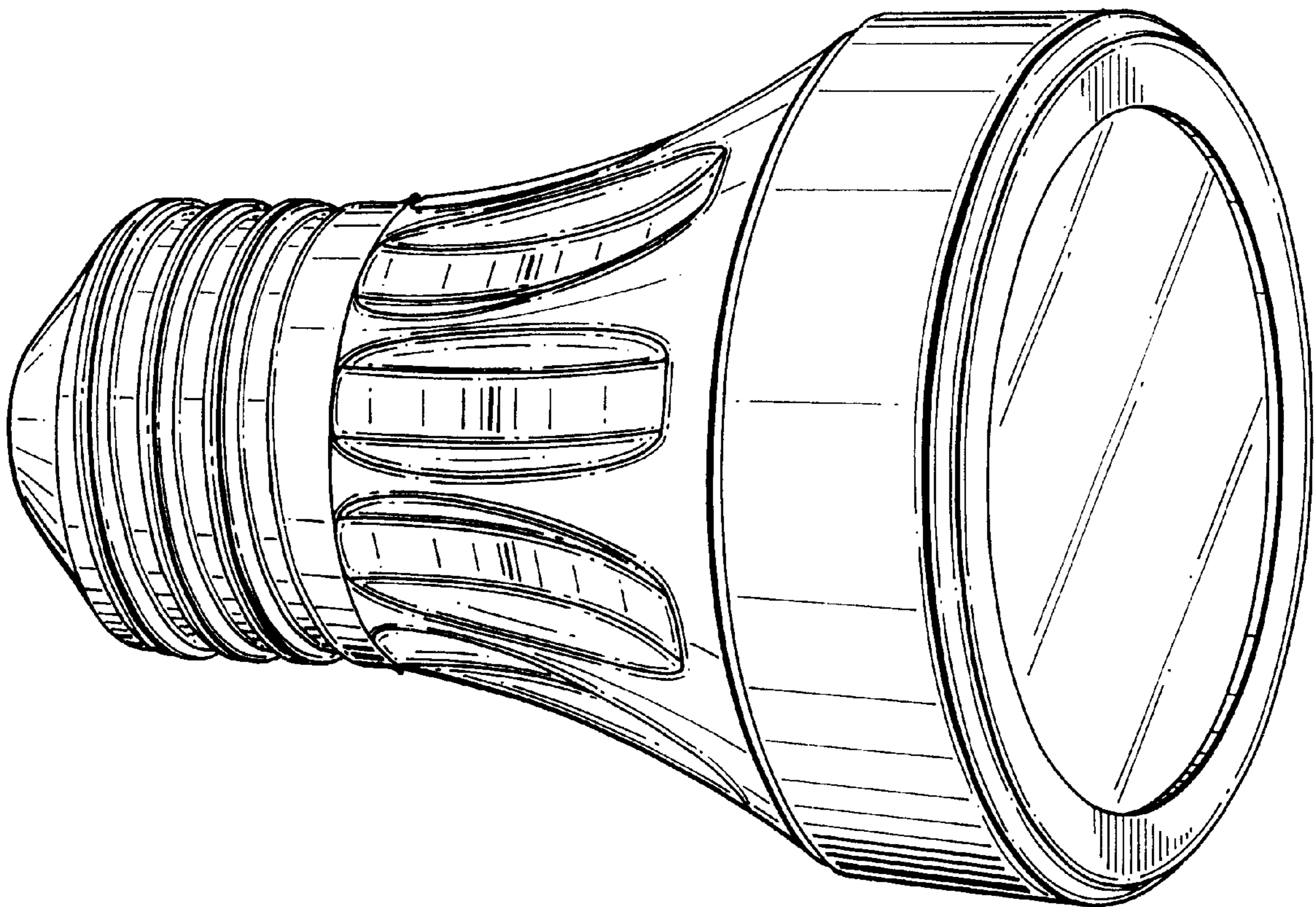
FIG. 4 is a rear view thereof.

(56) **References Cited**

U.S. PATENT DOCUMENTS

D379,537 S * 5/1997 Gallant et al. D26/2

1 Claim, 3 Drawing Sheets



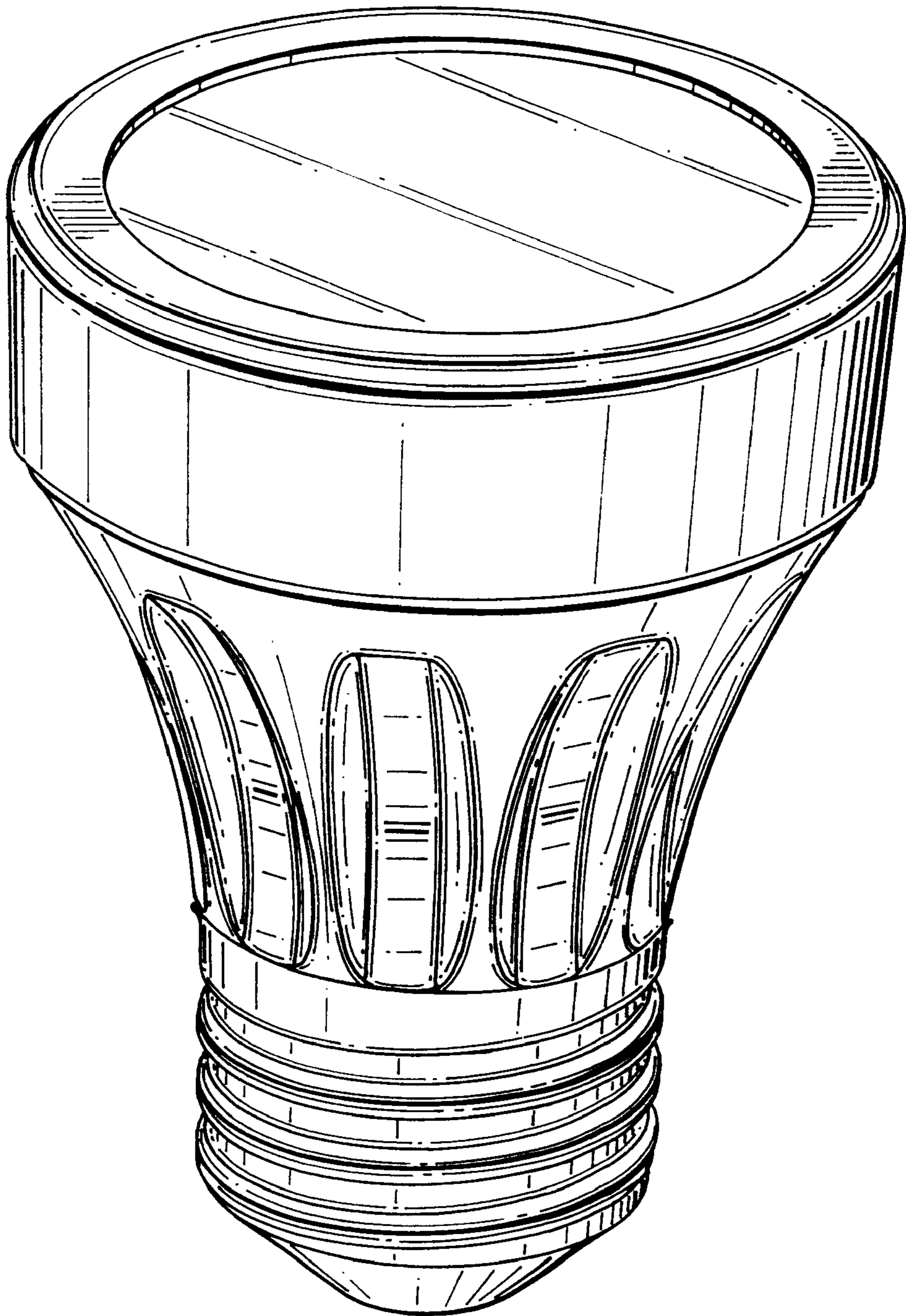


FIG. 1

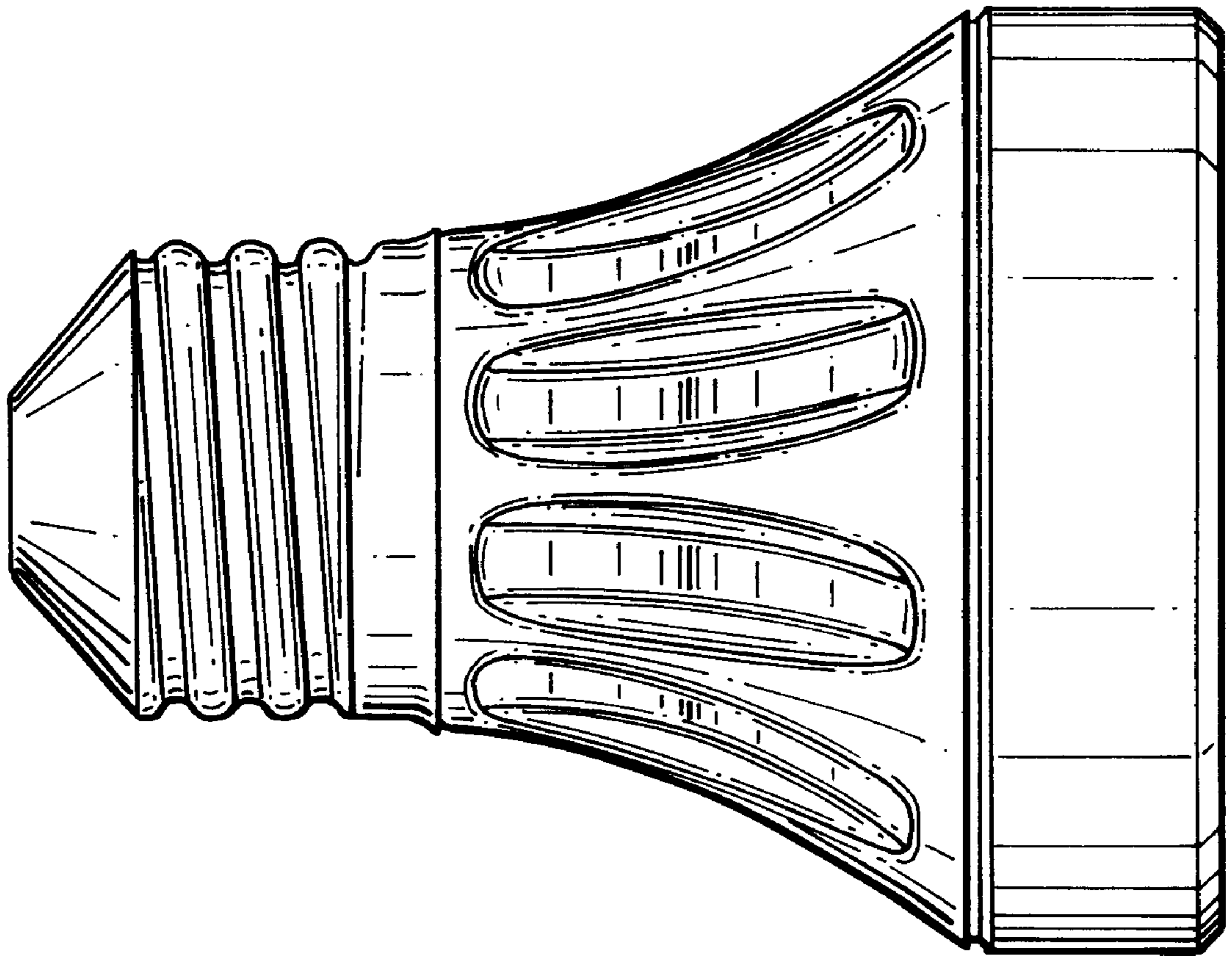


FIG. 2

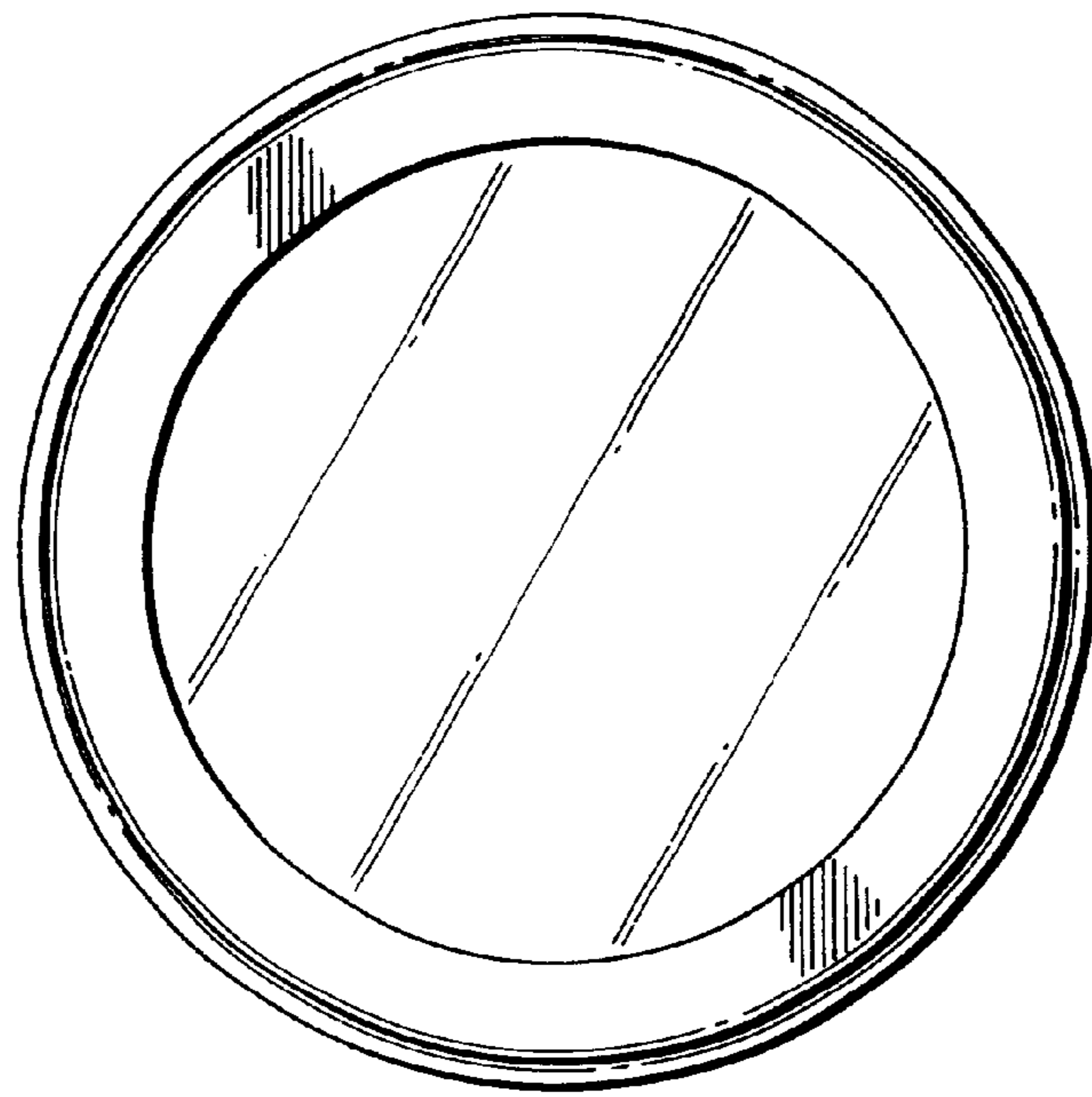


FIG. 3

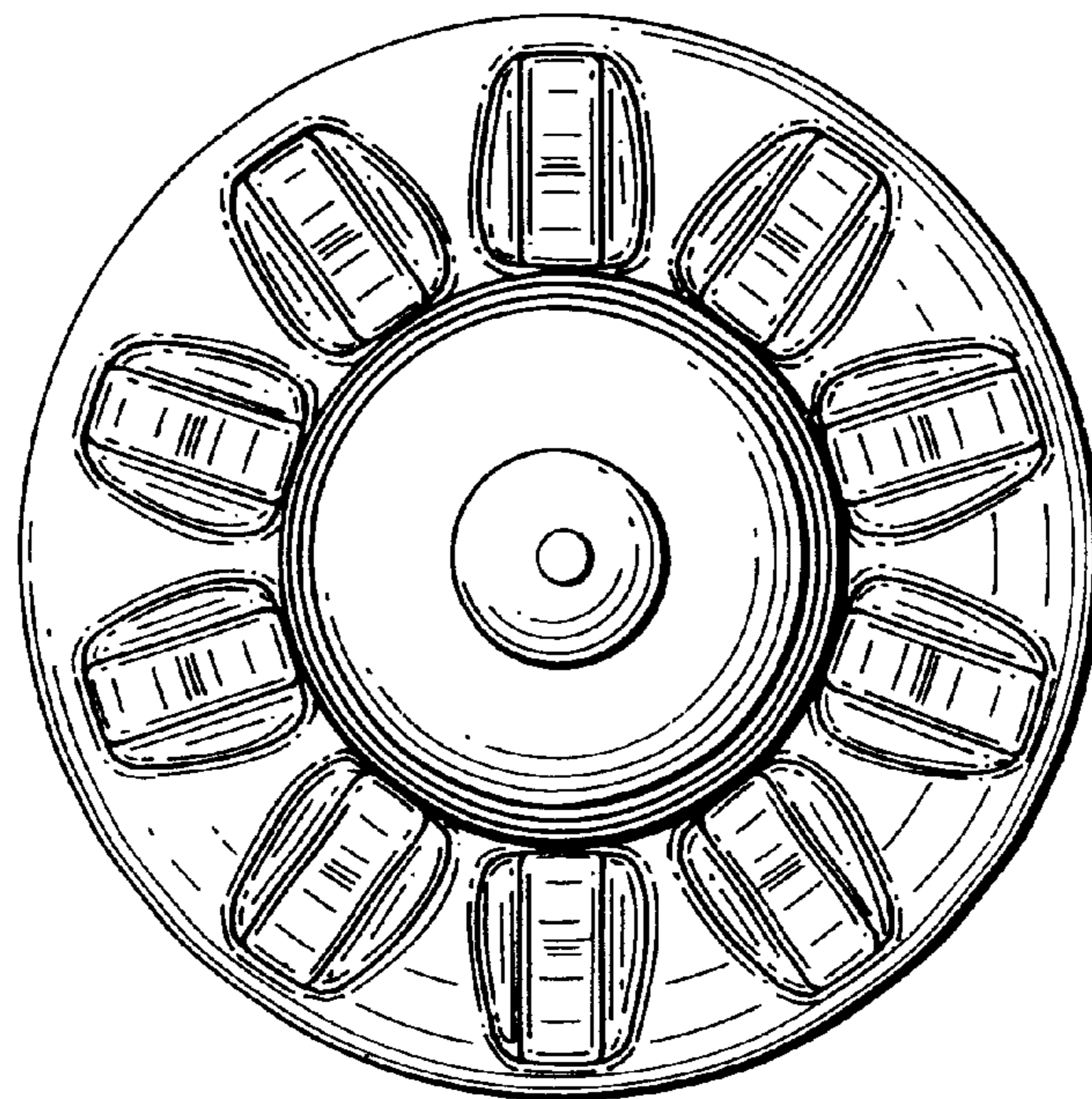


FIG. 4