



US00D467342S

(12) **United States Design Patent**
Whitehead

(10) **Patent No.:** **US D467,342 S**

(45) **Date of Patent:** **** Dec. 17, 2002**

(54) **DOUBLE TOOTH IMPLANT
SUBSTRUCTURE**

6,283,753 B1 * 9/2001 Willoughby 433/172

* cited by examiner

(76) **Inventor:** **George M. Whitehead**, 6226 196th St.
SW., Suite 2-B, Lynnwood, WA (US)
98036

Primary Examiner—Antoine Duval Davis
(74) *Attorney, Agent, or Firm*—Dean A. Craine

(**) **Term:** **14 Years**

(57) **CLAIM**

The ornamental design for a double tooth implant substructure, as shown and described.

(21) **Appl. No.:** **29/156,713**

(22) **Filed:** **Mar. 5, 2002**

DESCRIPTION

(51) **LOC (7) Cl.** **24-01**

FIG. 1 is a perspective view of a double tooth implant substructure.

(52) **U.S. Cl.** **D24/156**

FIG. 2 is a front elevational view of the invention.

(58) **Field of Search** D24/156; 433/172,

FIG. 3 is a right side elevational view of the invention.

433/173, 174, 180, 181

FIG. 4 is a left side elevational view of the invention.

FIG. 5 is a bottom plan view of the invention.

FIG. 6 is a top plan view of the invention.

(56) **References Cited**

U.S. PATENT DOCUMENTS

FIG. 7 is a rear elevational view of the invention; and,

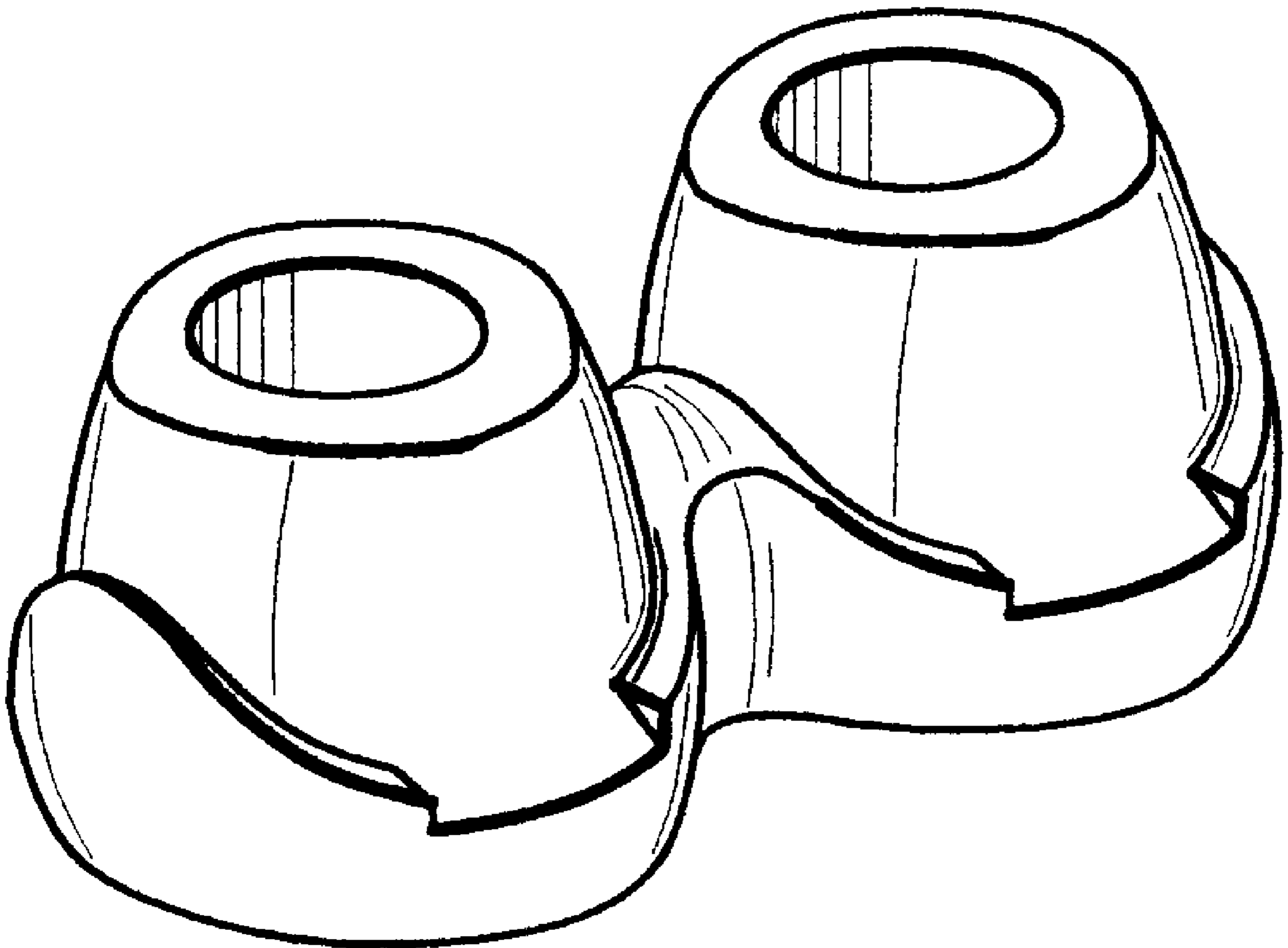
FIG. 8 is a sectional, side elevational view of the invention.

5,564,928 A 10/1996 Gittleman 433/180

6,030,219 A * 2/2000 Zuest et al. 433/181

6,089,867 A * 7/2000 Filho 433/175 X

1 Claim, 2 Drawing Sheets



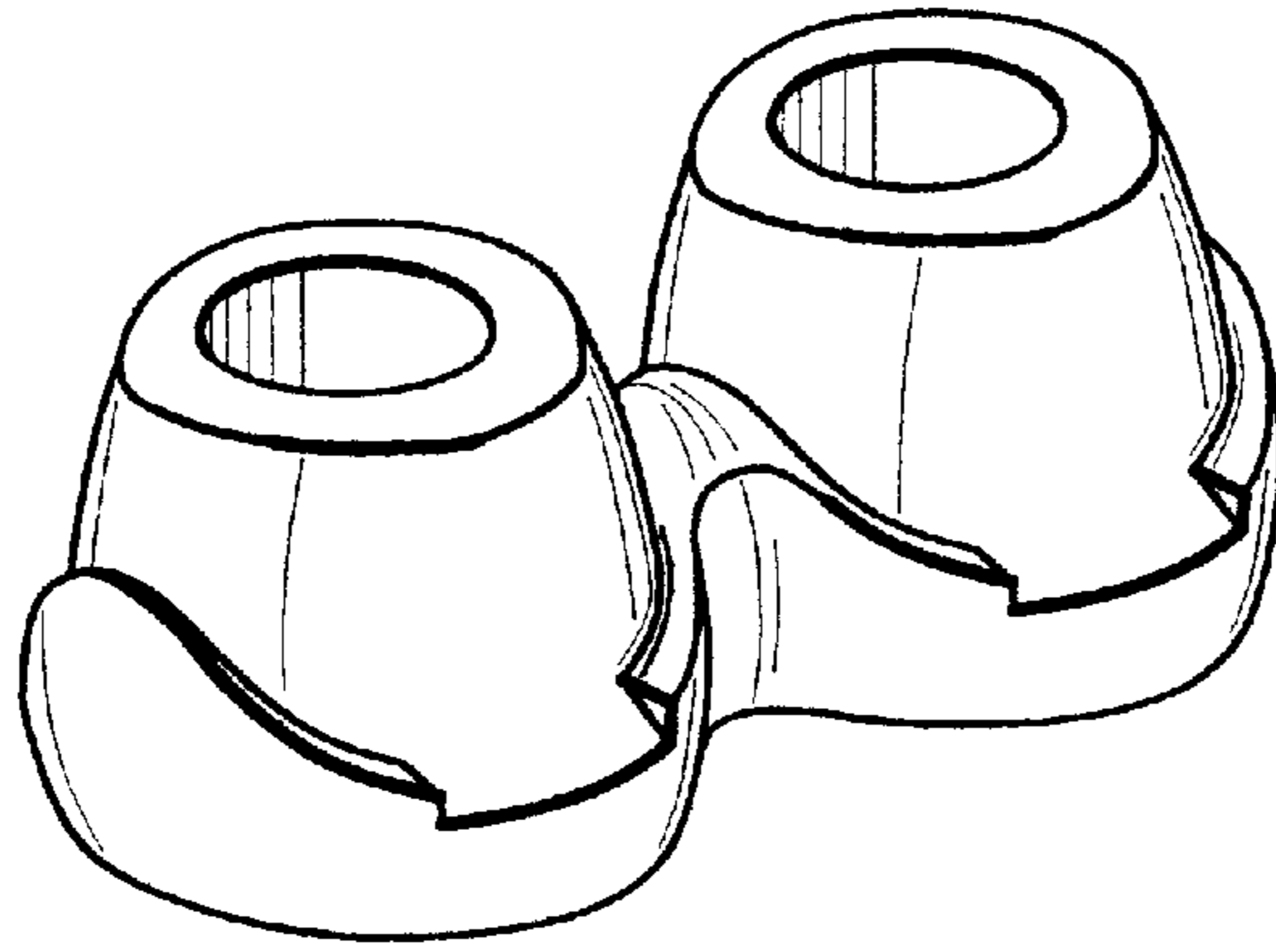


FIG. 1

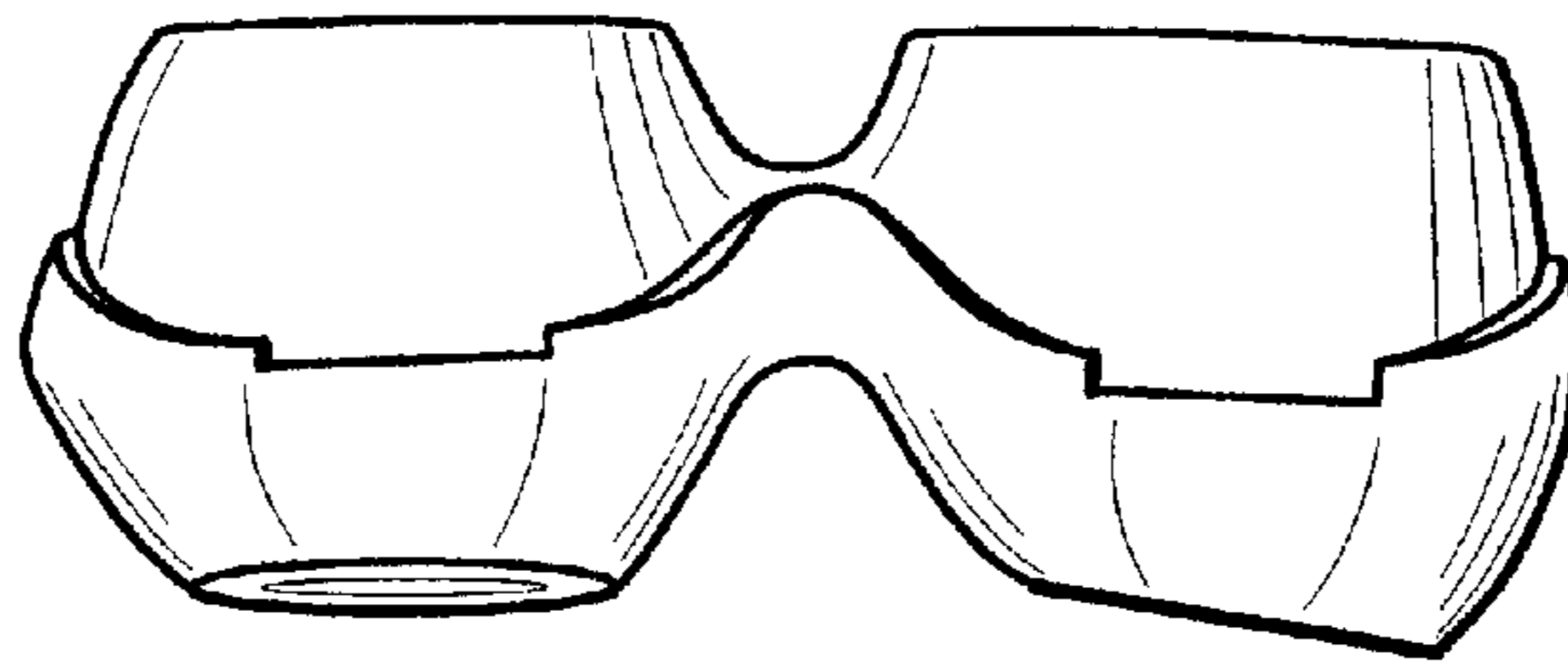


FIG. 2

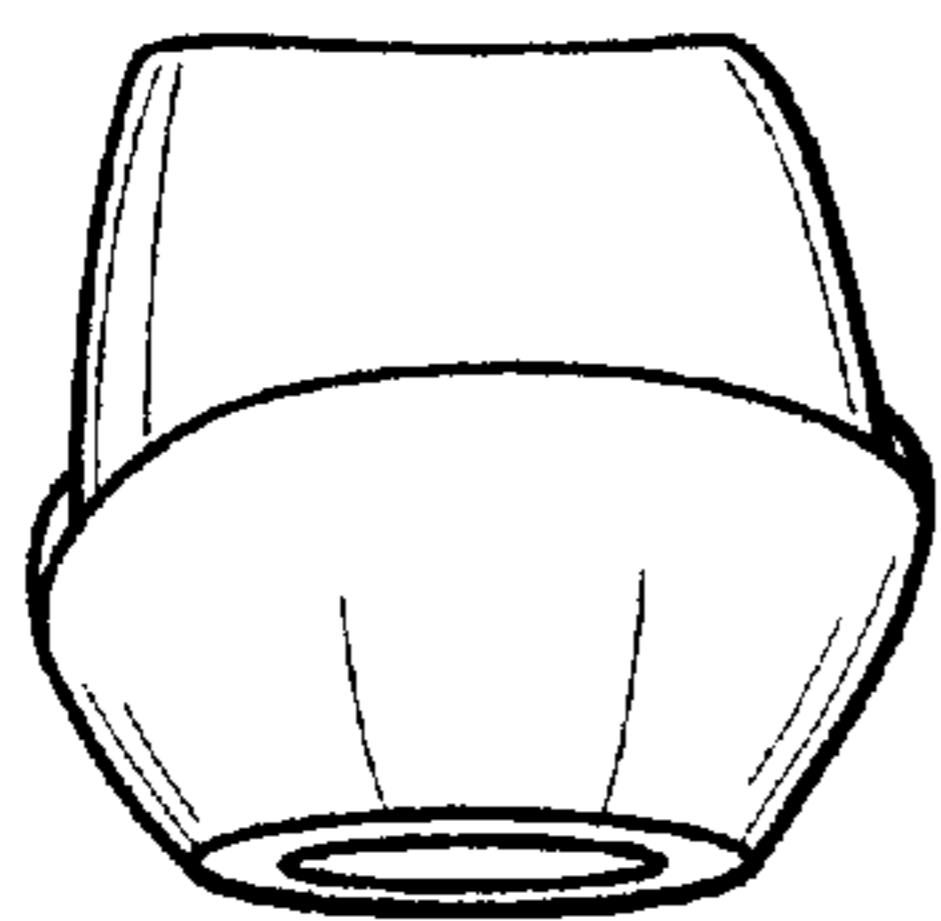


FIG. 3

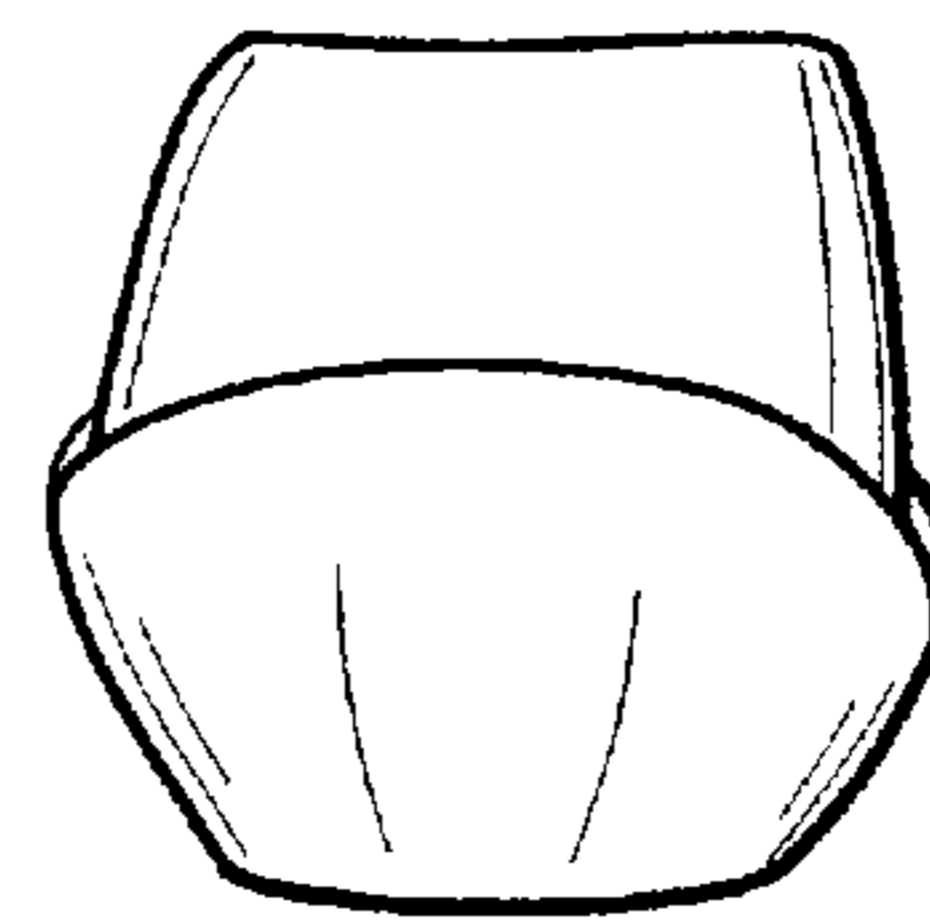


FIG. 4

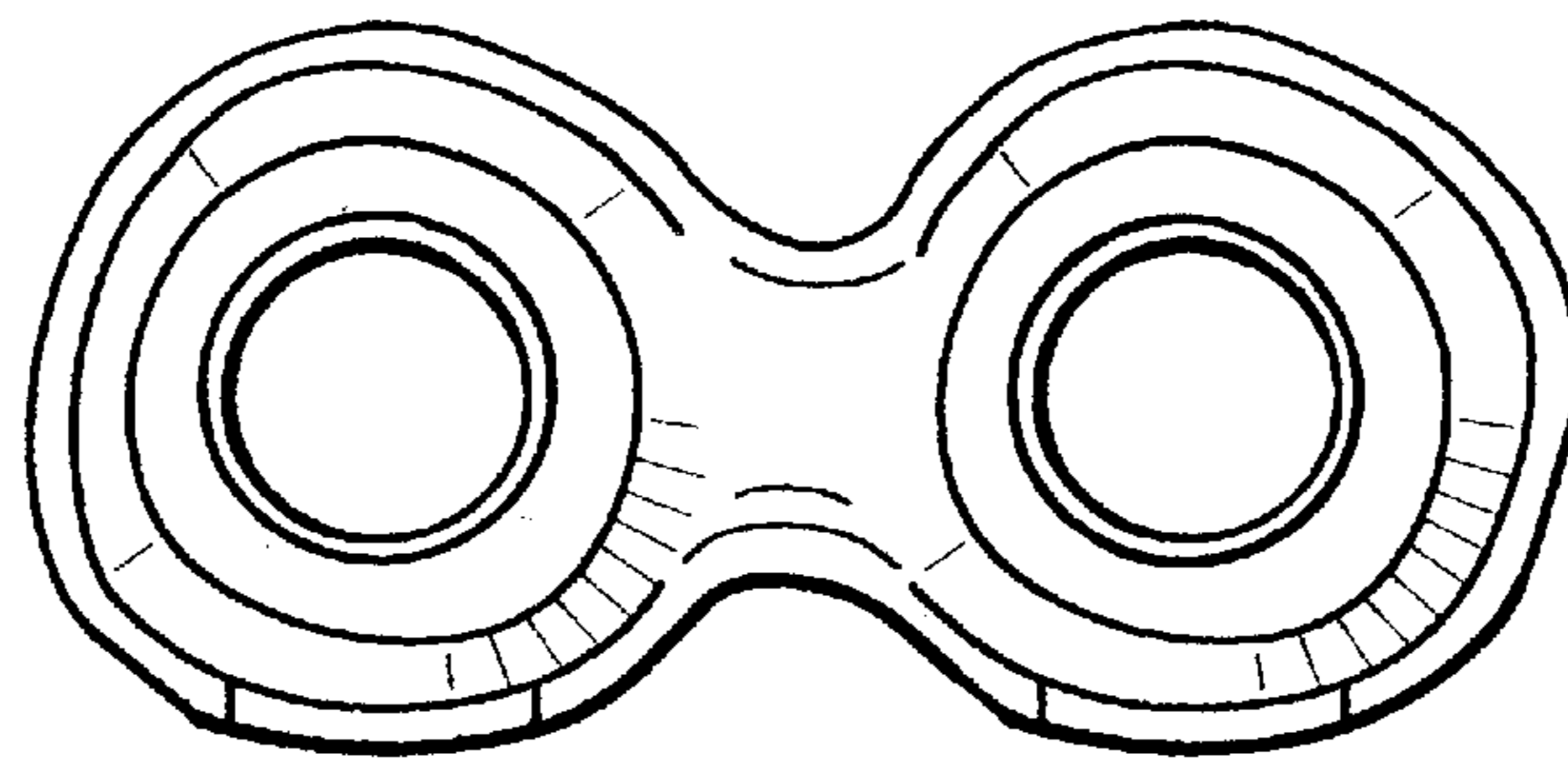


FIG. 5

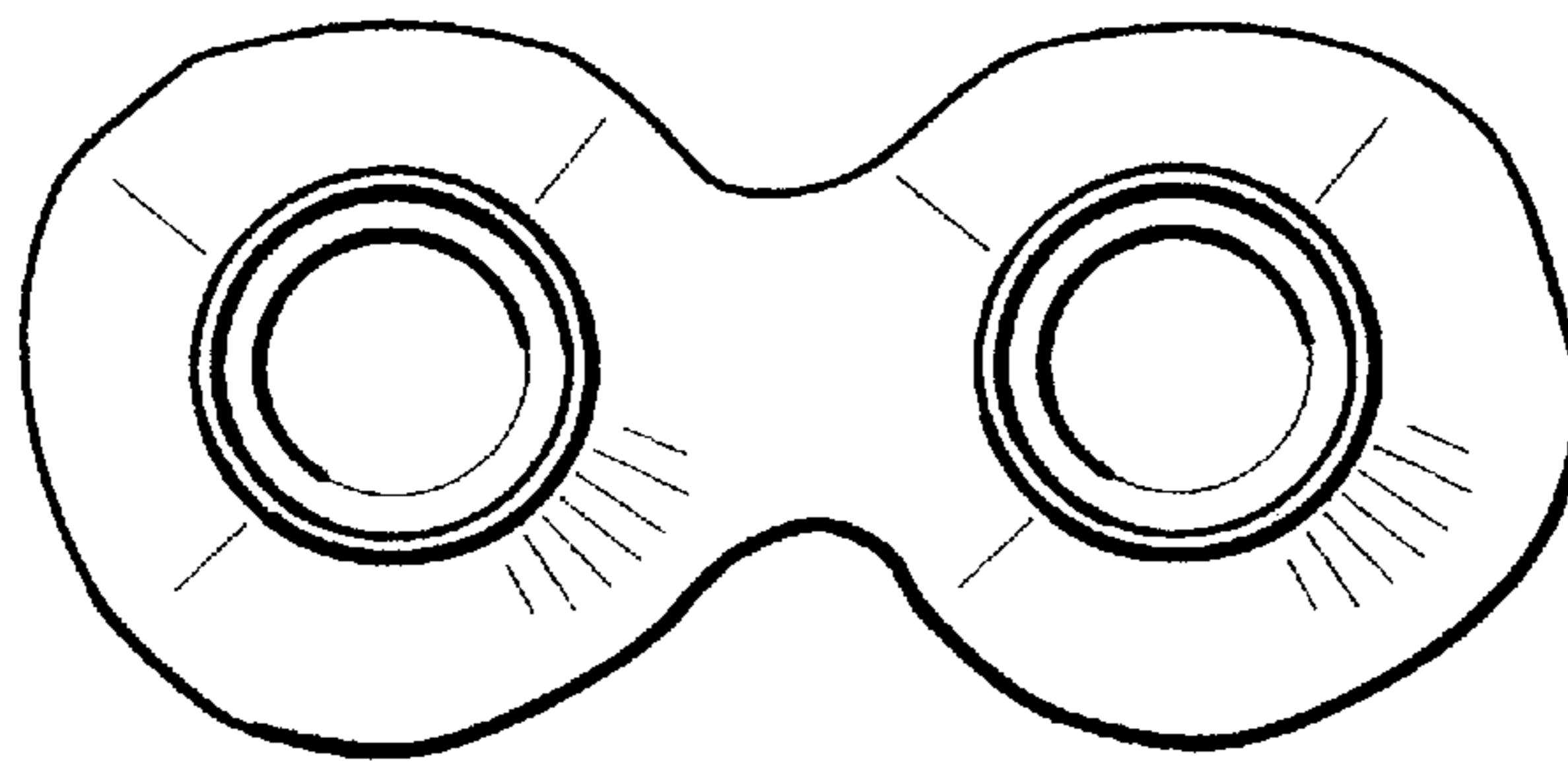


FIG. 6

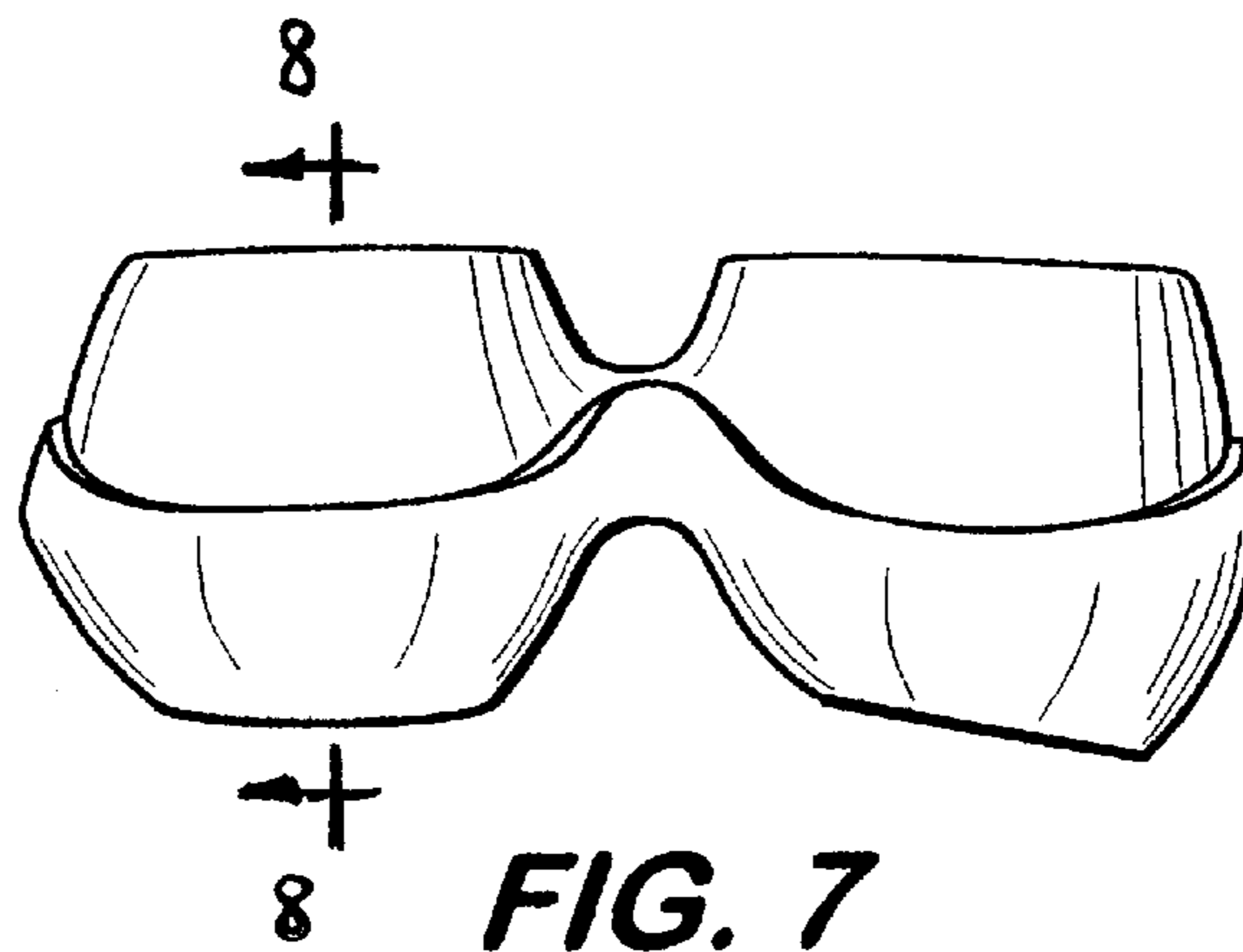


FIG. 7

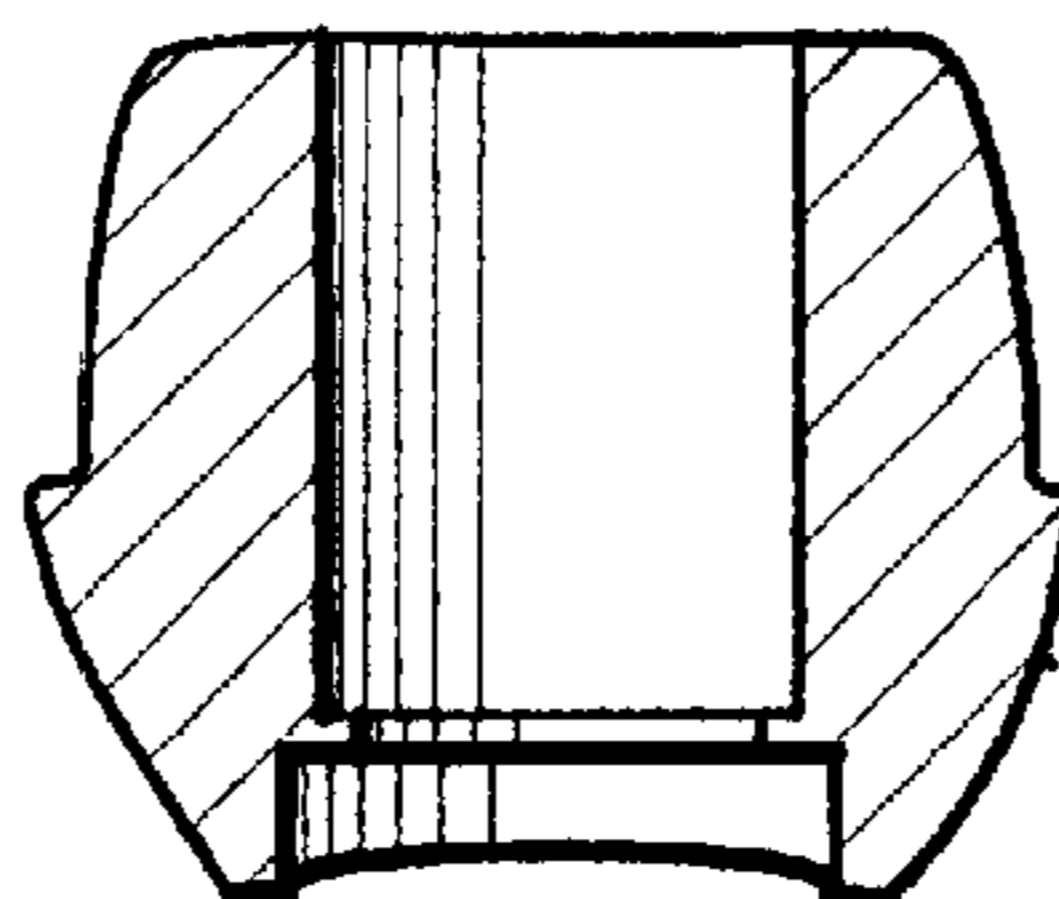


FIG. 8