



US00D467340S

(12) **United States Design Patent**
Mayer

(10) **Patent No.:** **US D467,340 S**

(45) **Date of Patent:** **** Dec. 17, 2002**

(54) **OVERMOLDED HANDLE FOR
ULTRASONIC SCALER**

(75) Inventor: **Stanley Mayer**, Middletown, NY (US)

(73) Assignee: **Coltene/Whaledent, Inc.**, Mahwah, NJ (US)

(**) Term: **14 Years**

(21) Appl. No.: **29/145,637**

(22) Filed: **Jul. 26, 2001**

(51) **LOC (7) Cl.** **24-02**

(52) **U.S. Cl.** **D24/133; D24/146; D24/147; D24/152**

(58) **Field of Search** **D24/146, 147, D24/133, 152, 176; 433/86, 119, 142, 118, 114, 117, 131**

(56) **References Cited**

U.S. PATENT DOCUMENTS

D266,109 S	*	9/1982	Sertich et al.	D24/146
D287,627 S	*	1/1987	Leonard	D24/147
5,775,901 A	*	7/1998	Riso	433/86
D405,340 S	*	2/1999	Sullivan et al.	D24/133
D429,526 S	*	8/2000	Sullivan et al.	D24/133

* cited by examiner

Primary Examiner—Ian Simmons

(74) *Attorney, Agent, or Firm*—Katten Muchin Zavis Rosenman

(57) **CLAIM**

The ornamental design for an overmolded handle for ultrasonic scaler, as shown and described.

DESCRIPTION

FIG. 1 is a perspective view of an overmolded handle for ultrasonic scaler showing my new design;

FIG. 2 is a side elevation view thereof;

FIG. 3 is a rear edge view thereof thereof;

FIG. 4 is a front edge view thereof;

FIG. 5 is a perspective view thereof shown as used as part of an ultrasonic scaler, the dotted-line portions of the ultrasonic scaler being shown for illustrative purposes and forming no part of the claimed invention.

FIG. 6 is a perspective view of an overmolded handle for ultrasonic scaler showing a second embodiment of my new design;

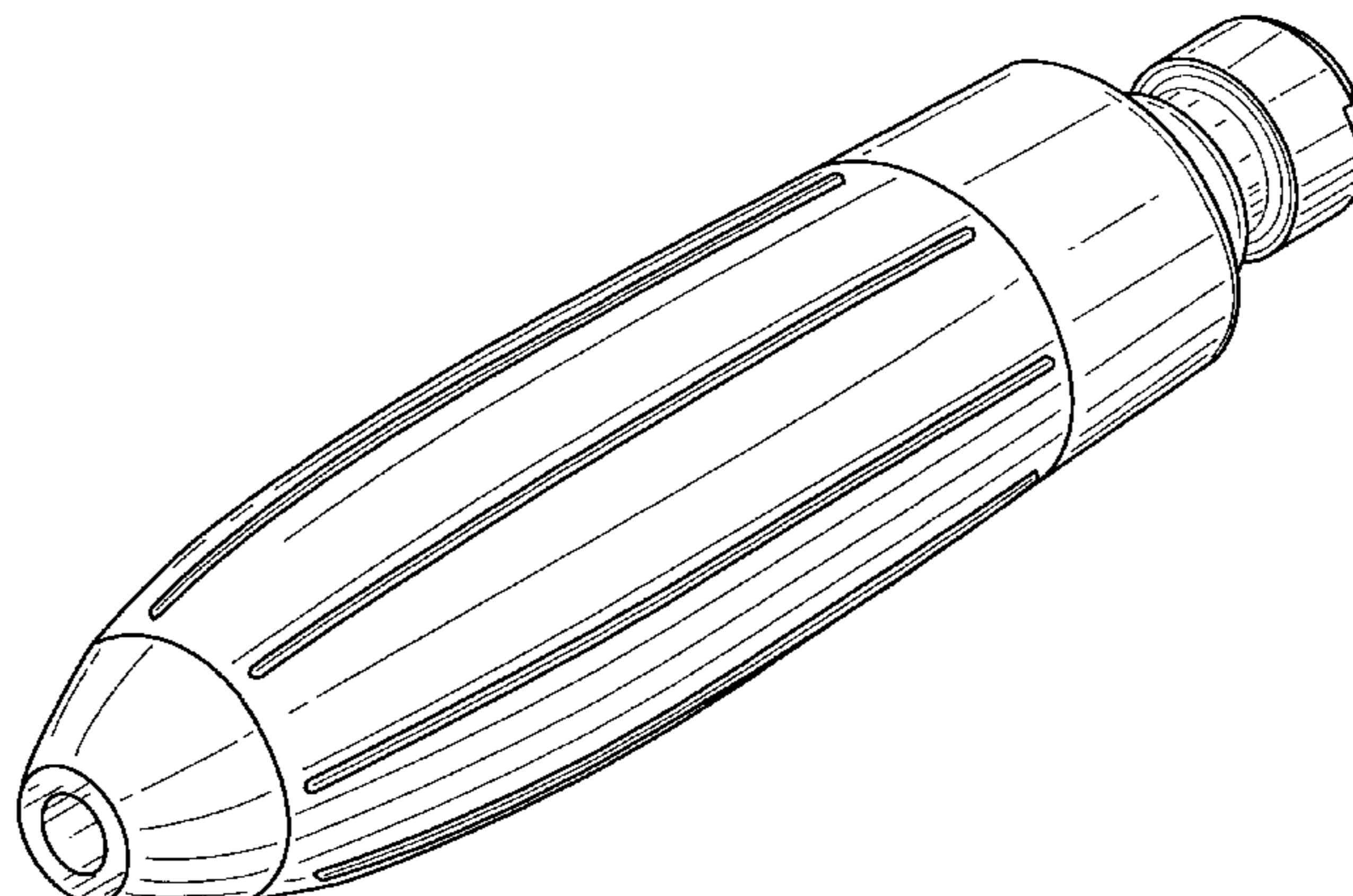
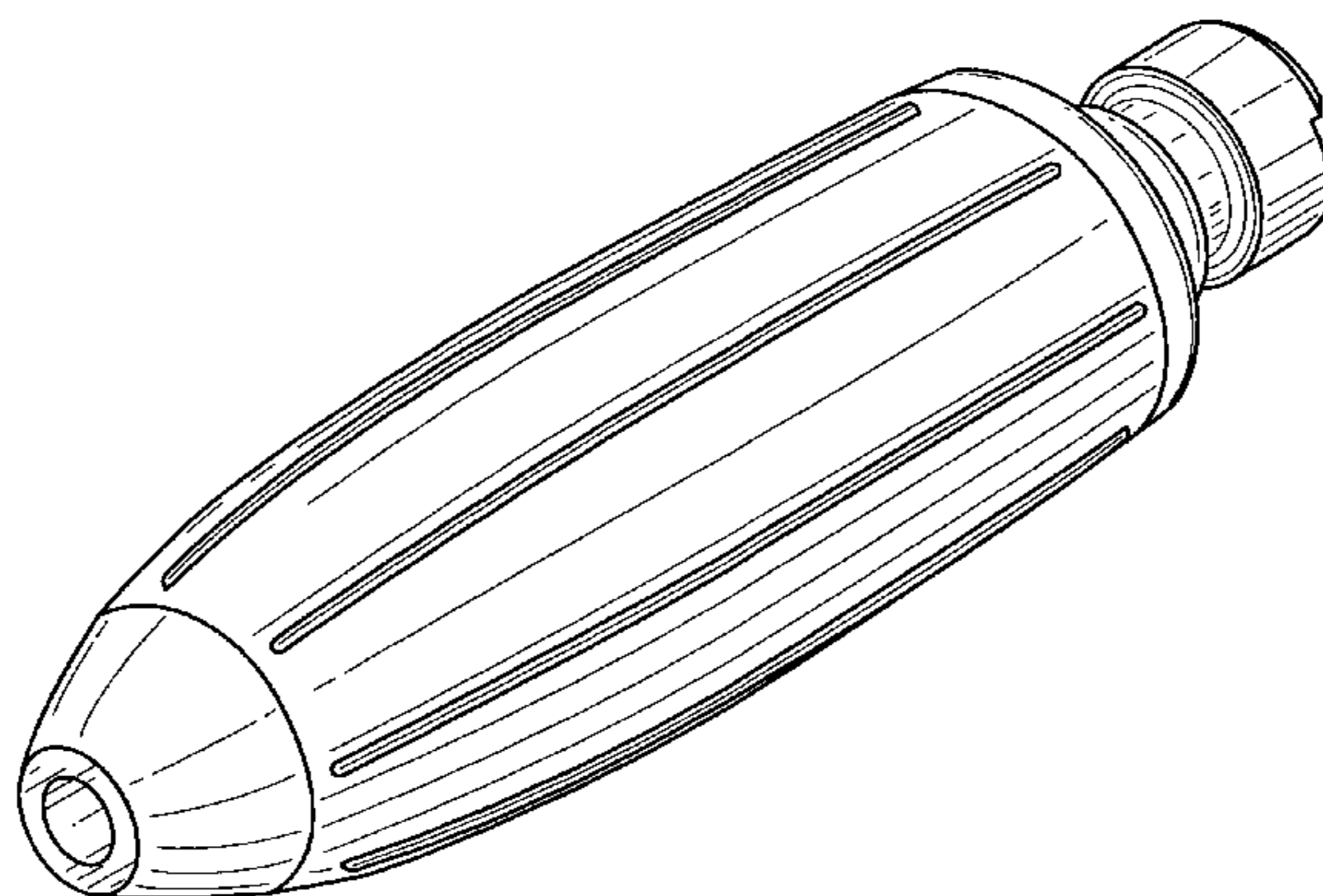
FIG. 7 is a side elevation view thereof;

FIG. 8 is a rear edge view thereof thereof;

FIG. 9 is a front edge view thereof; and,

FIG. 10 is a perspective view thereof shown as used as part of an ultrasonic scaler, the dotted-line portions of the ultrasonic scaler being shown for illustrative purposes and forming no part of the claimed invention.

1 Claim, 6 Drawing Sheets



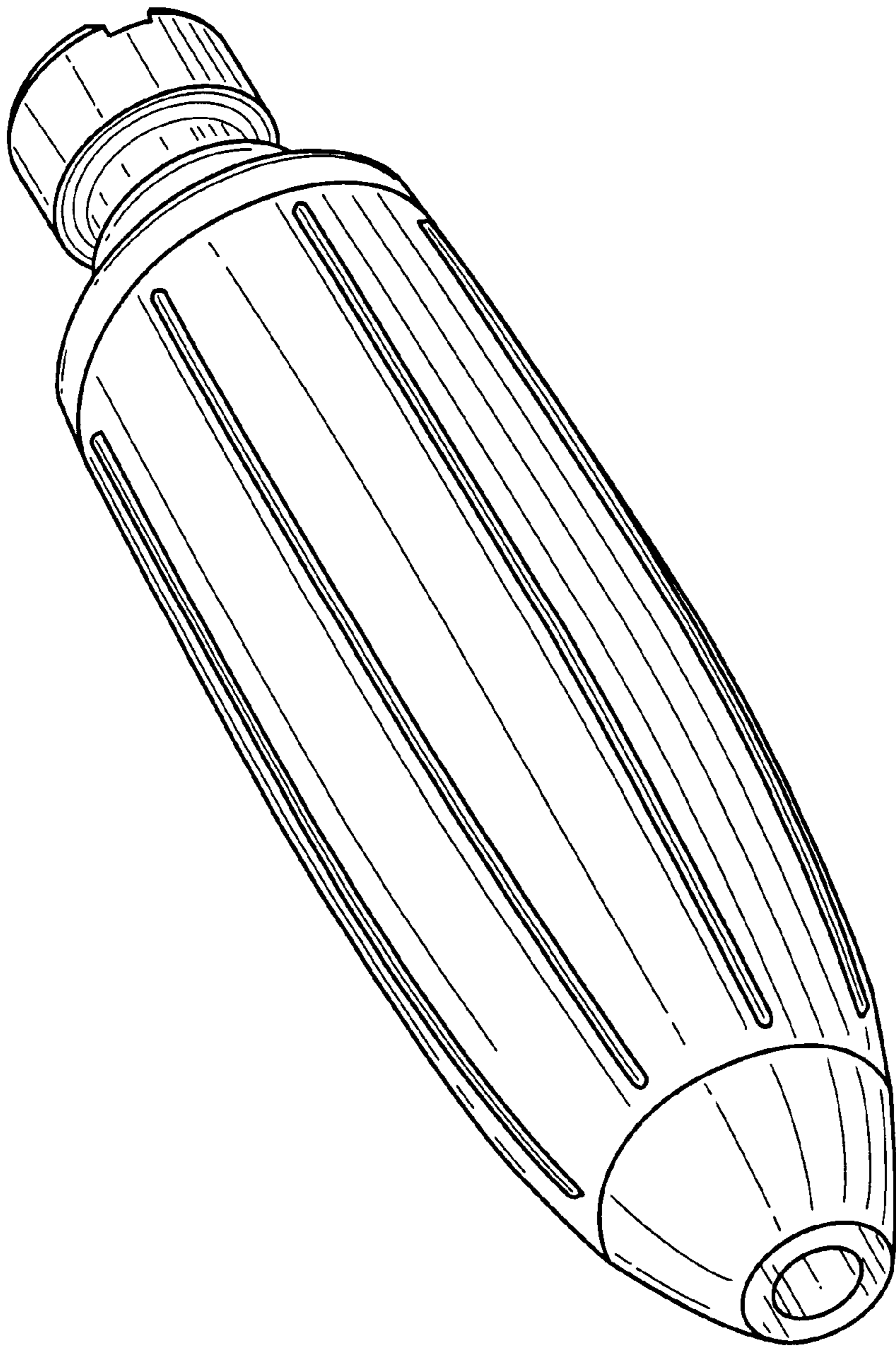


FIG. 1

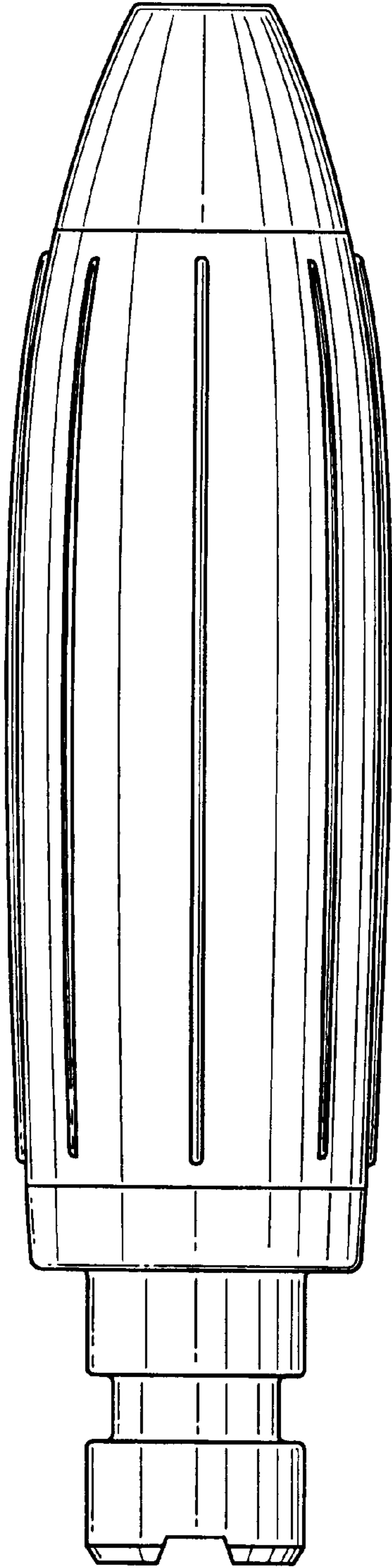


FIG. 2

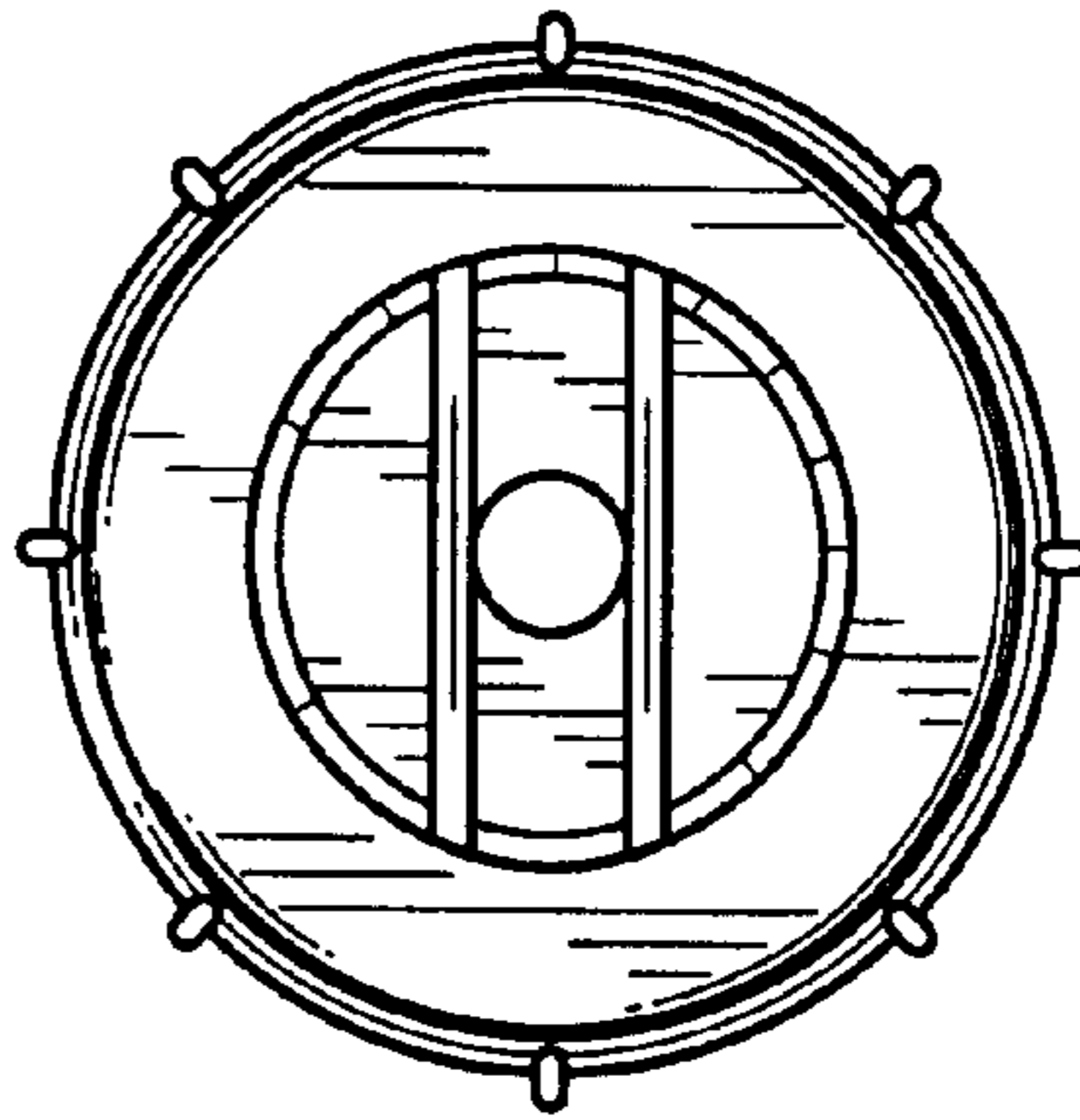


FIG. 3

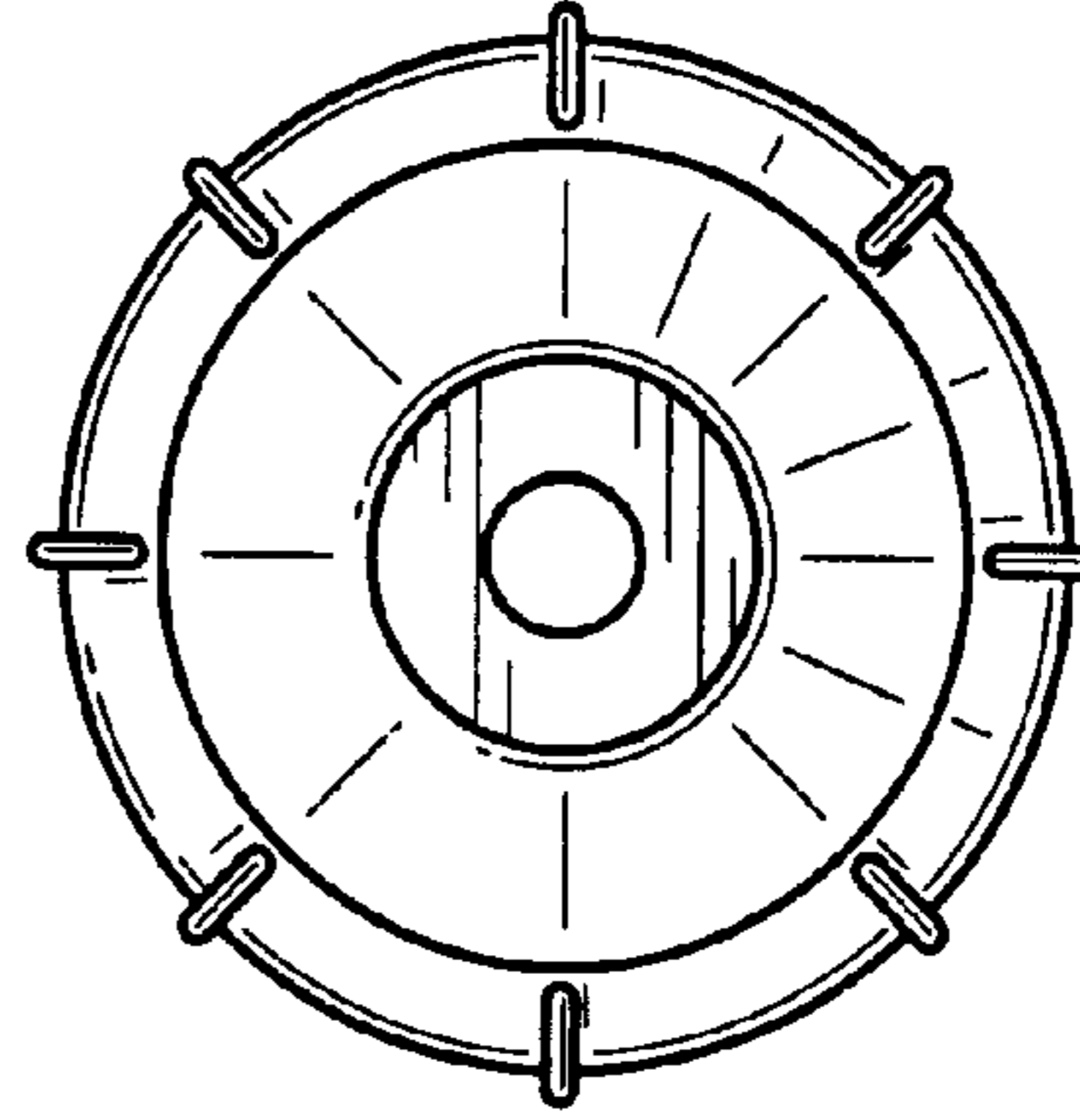


FIG. 4

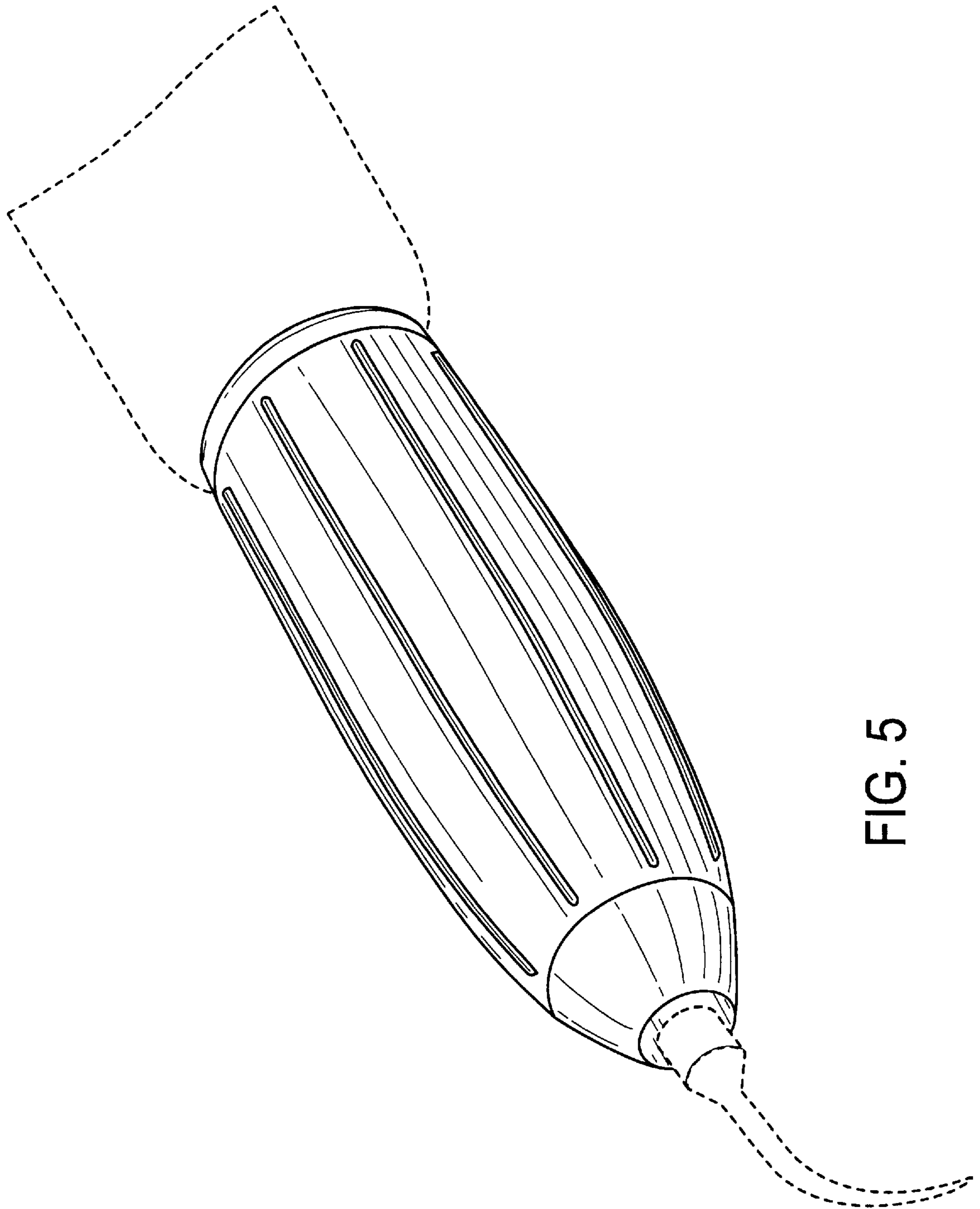


FIG. 5

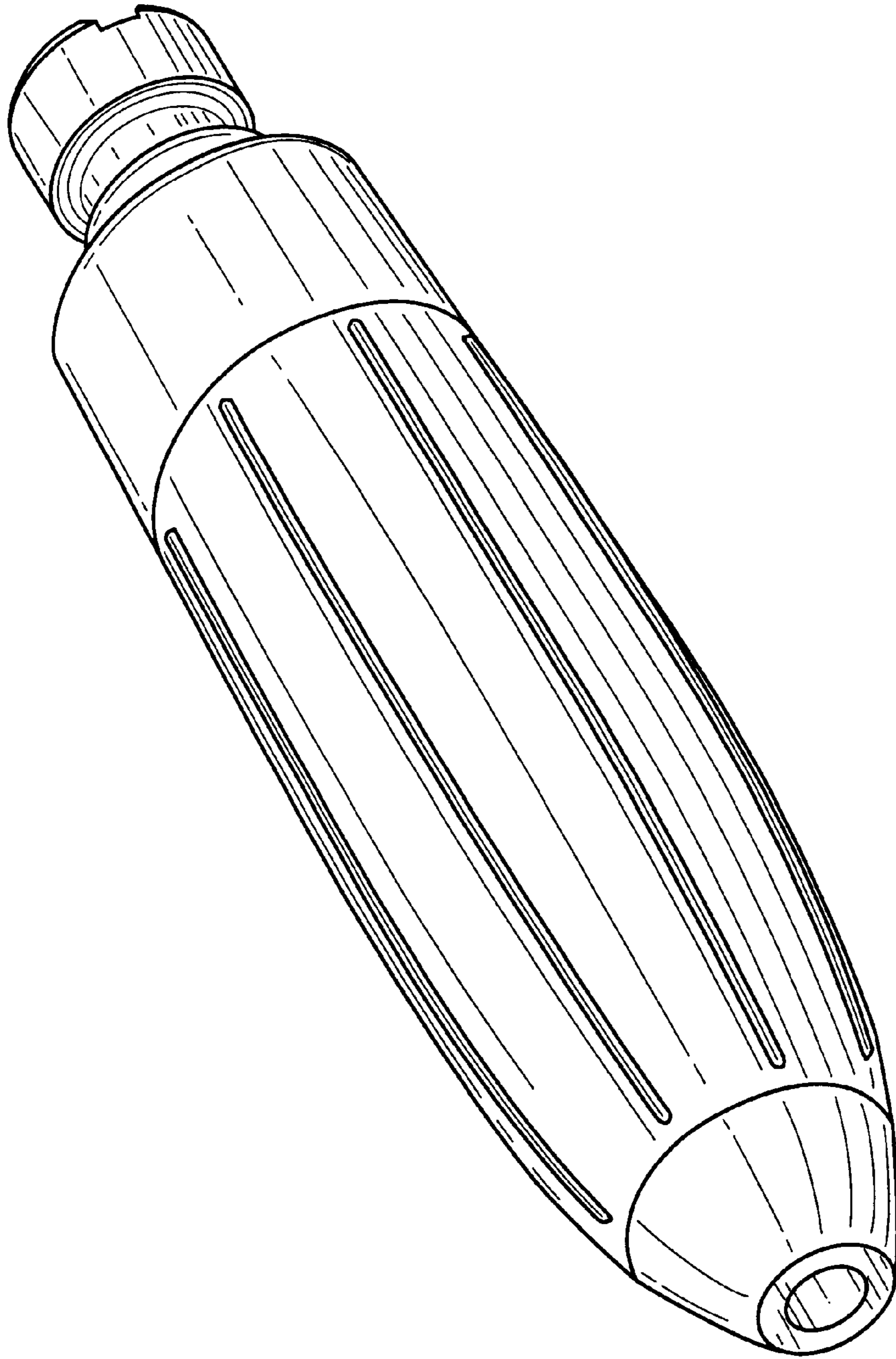


FIG. 6

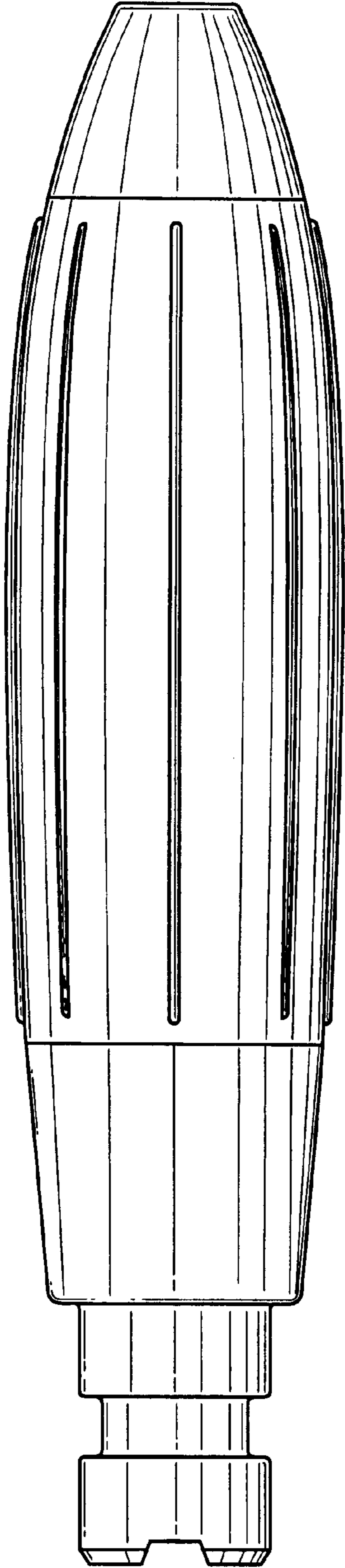


FIG. 7

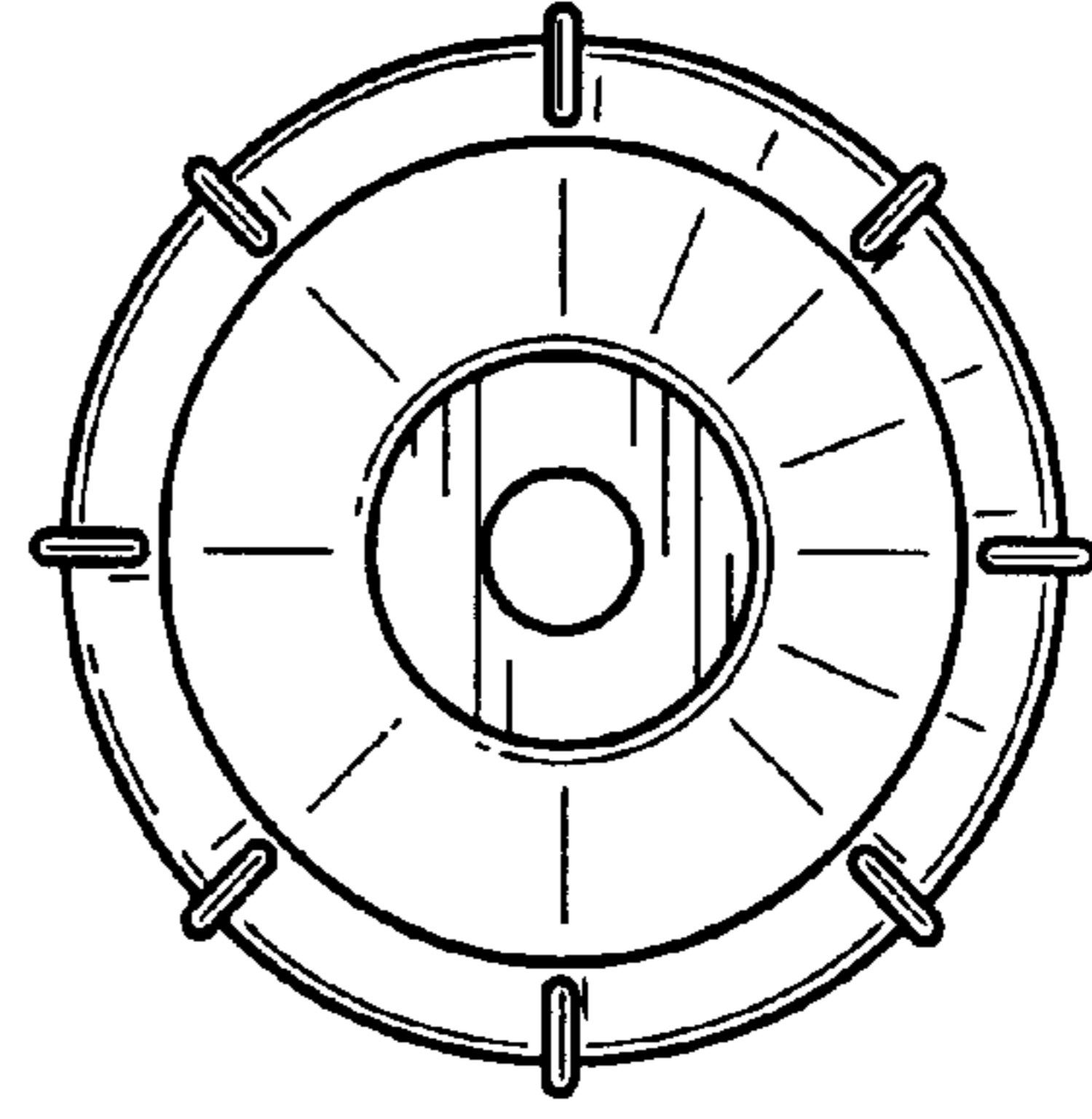


FIG. 9

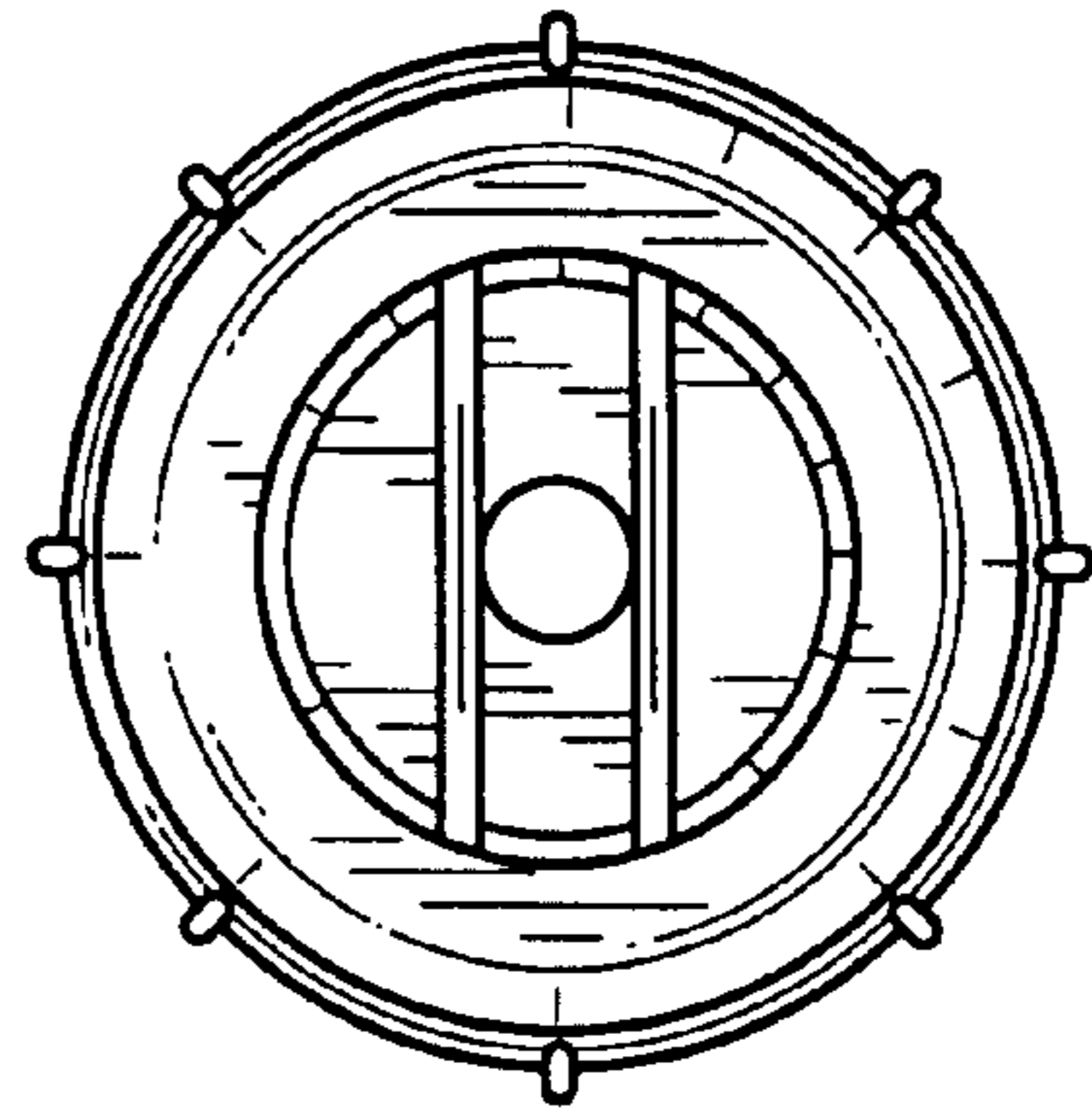


FIG. 8

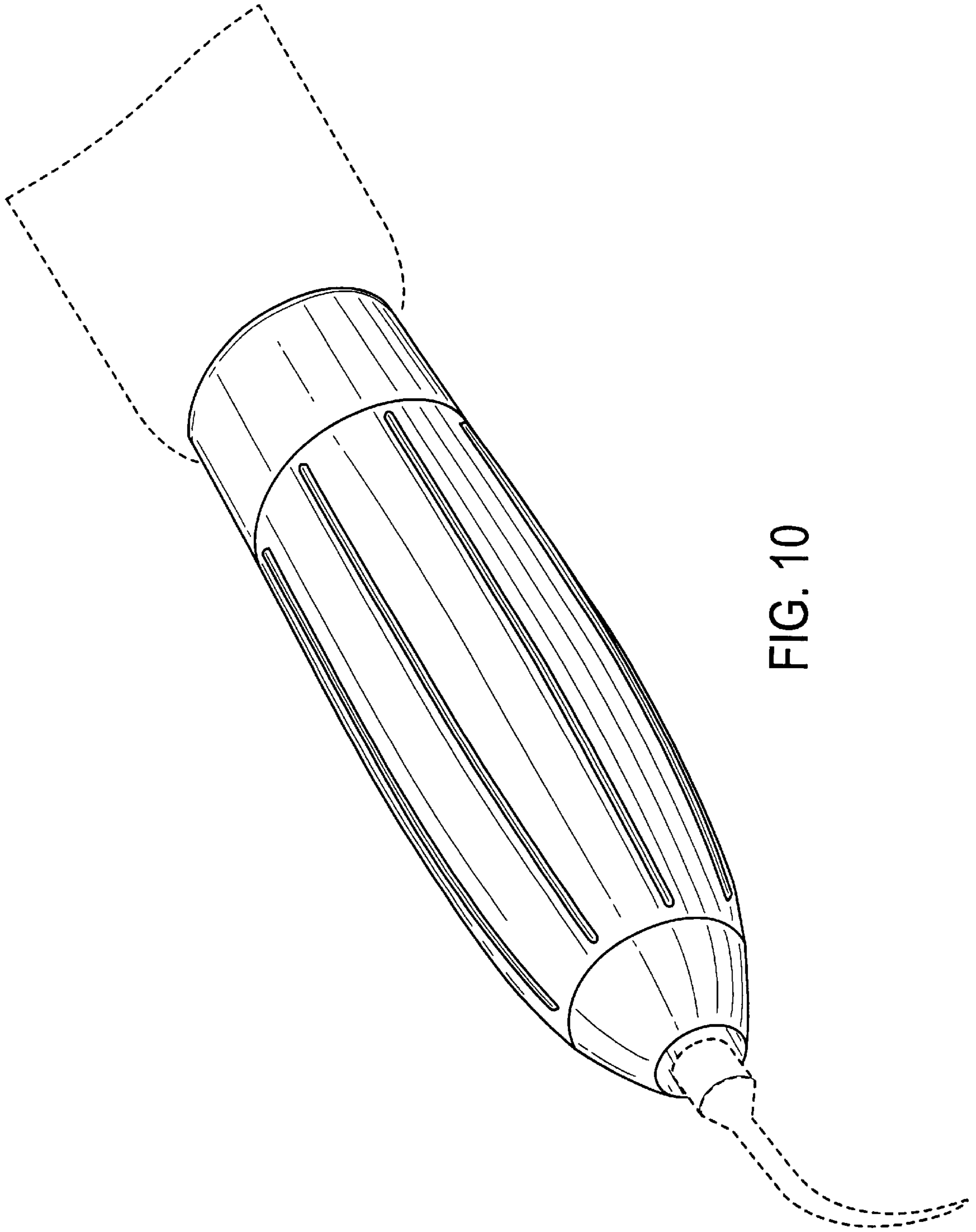


FIG. 10