



US00D467338S

(12) **United States Design Patent**  
**Rehrig**

(10) **Patent No.:** **US D467,338 S**

(45) **Date of Patent:** **\*\* Dec. 17, 2002**

(54) **PORTABLE URINAL**

(76) Inventor: **Houston Rehrig**, 1316 Abon La. #726,  
N. Ft. Lauderdale, FL (US) 33068

(\*\*) Term: **14 Years**

(21) Appl. No.: **29/152,679**

(22) Filed: **Dec. 20, 2001**

**Related U.S. Application Data**

(62) Division of application No. 29/129,981, filed on Sep. 26,  
2000.

(51) **LOC (7) Cl.** ..... **24-04**

(52) **U.S. Cl.** ..... **D24/122**

(58) **Field of Search** ..... D24/122, 112;  
D7/700; 4/144.1, 144.2, 144.3, 144.4; D23/302,  
303, 309

4,090,541 A	5/1978	Cammarata, III et al.
4,176,412 A	12/1979	Peterson
4,187,562 A	2/1980	Mioduski
4,189,789 A	2/1980	Hofstetter
4,194,508 A	3/1980	Anderson
4,202,057 A	5/1980	Ibarra
4,221,295 A	9/1980	Tuchband et al.
4,246,901 A	1/1981	Michaud
4,270,539 A	6/1981	Michaud
D265,760 S	8/1982	Lahay
D265,927 S	8/1982	Lahay
4,365,363 A	12/1982	Windauer
4,387,726 A	6/1983	Denard
4,393,881 A	7/1983	Shah
D274,469 S	6/1984	Huang et al.
4,531,245 A	7/1985	Lowd et al.
D285,348 S	8/1986	Matthews
D288,608 S	3/1987	Dahlberg

(List continued on next page.)

**OTHER PUBLICATIONS**

Ritter, Douglas S., Piddle Packs, The Aviation Consumer,  
Feb. 1, 1995.

*Primary Examiner*—Ian Simmons

(74) *Attorney, Agent, or Firm*—Brooks & Kushman P.C.

(57) **CLAIM**

The ornamental design for a portable urinal, as shown and  
described.

**DESCRIPTION**

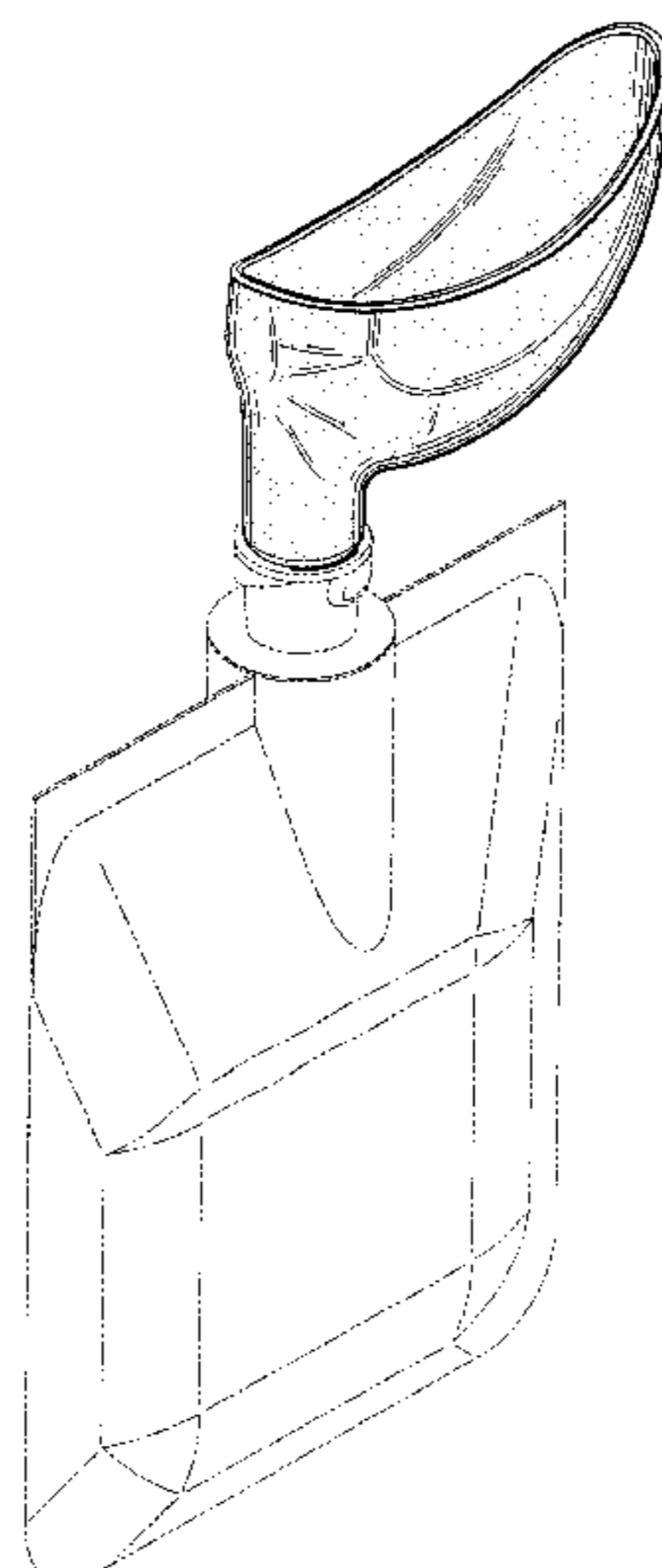
FIG. 1 is a perspective view of the portable urinal;  
FIG. 2 is a front elevational view of the portable urinal;  
FIG. 3 is a rear elevational view of the portable urinal;  
FIG. 4 is a left side elevational view of the portable urinal;  
FIG. 5 is a right side elevational view of the portable urinal;  
FIG. 6 is a top plan view of the portable urinal; and,  
FIG. 7 is a bottom plan view of the portable urinal.  
The broken line showing in FIGS. 1 through 7 are for  
illustrative purposes only and forms no part of the claimed  
design.

**1 Claim, 5 Drawing Sheets**

(56) **References Cited**

**U.S. PATENT DOCUMENTS**

231,487 A	8/1880	Henry et al.
661,403 A	11/1900	Hogan
1,337,829 A	4/1920	Doyle
1,440,765 A	1/1923	Buckley
1,657,975 A	1/1928	Shiells
1,928,170 A	9/1933	Dwork
2,182,254 A	12/1939	Farrell
D138,651 S	8/1944	Korotev et al.
2,382,276 A	8/1945	Wells
2,742,218 A	4/1956	Sullivan
2,875,451 A	3/1959	Stegeman
3,070,810 A	1/1963	Jones
3,095,578 A	7/1963	Stanford
3,432,865 A	3/1969	Schwartz
3,473,172 A	10/1969	Friedman et al.
3,479,671 A	11/1969	Beich
3,485,233 A	12/1969	Cord
3,568,218 A	3/1971	Beckman
3,781,922 A	1/1974	Ericson
3,832,738 A	9/1974	Kliemann
4,020,843 A	5/1977	Kanall



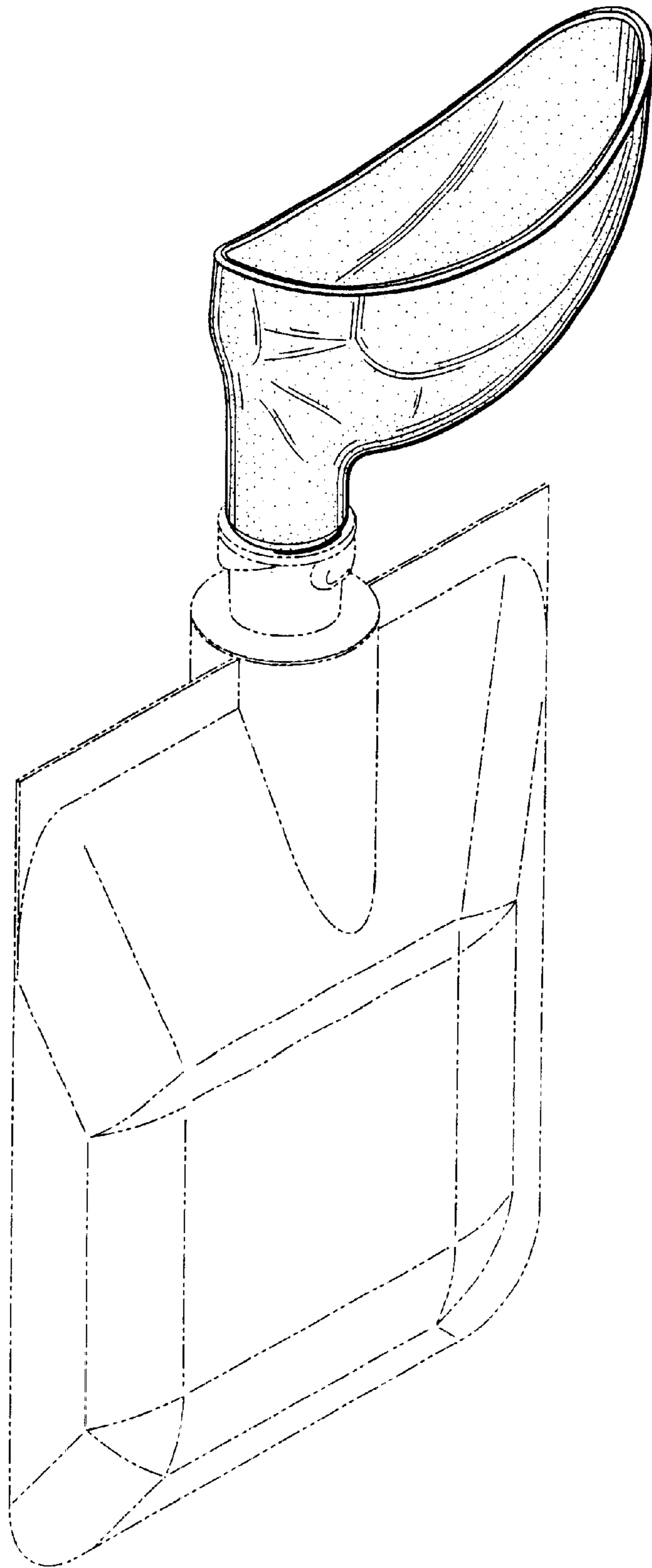
# US D467,338 S

Page 2

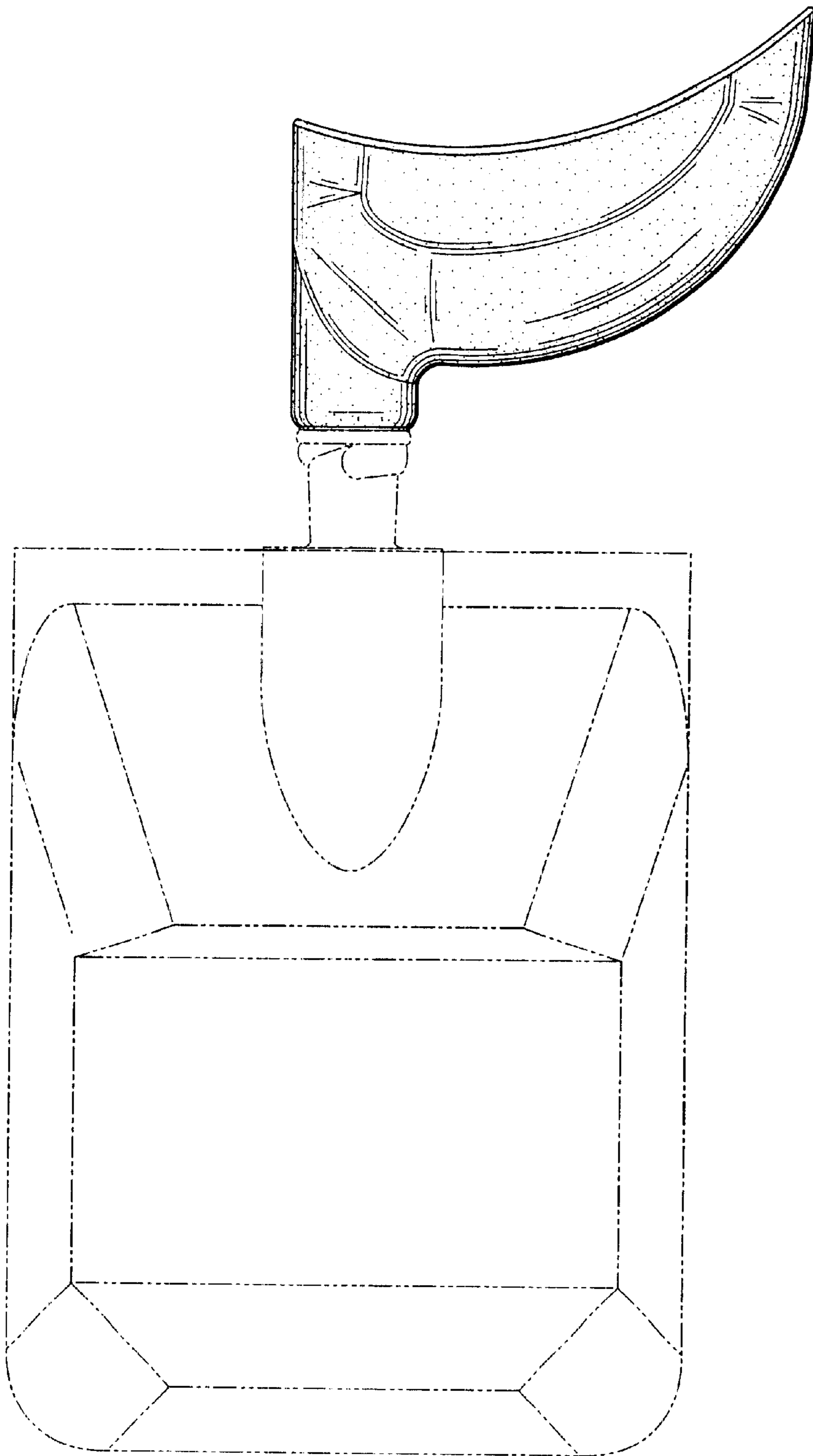
## U.S. PATENT DOCUMENTS

4,696,067 A	9/1987	Woodward		5,599,331 A	2/1997	Hemstreet et al.
4,771,484 A *	9/1988	Mozell .....	4/144.4	5,647,670 A	7/1997	Iscovich
4,892,529 A	1/1990	Valerio		5,655,229 A	8/1997	Horn
5,007,116 A	4/1991	Yamamoto		5,687,429 A	11/1997	Rahiff
5,009,236 A	4/1991	Brothers		5,711,445 A	1/1998	Robbins, III
5,010,599 A	4/1991	Nilsson		5,735,835 A	4/1998	Holland
RE33,686 E	9/1991	Parrish		5,741,240 A	4/1998	Olsen
5,049,144 A	9/1991	Payton		5,792,127 A	8/1998	Marran
5,053,027 A	10/1991	Manfredi		5,797,855 A	8/1998	Hazard et al.
5,065,459 A	11/1991	Tjahaja et al.		5,842,233 A	12/1998	Broden
5,091,998 A *	3/1992	Witzke .....	4/144.4	5,852,830 A	12/1998	Horn
5,146,637 A	9/1992	Bressler et al.		D406,644 S *	3/1999	Keppler ..... D24/122
5,147,342 A	9/1992	Kane et al.		5,894,607 A	4/1999	Van Den Burg
5,197,957 A	3/1993	Wendler		5,894,608 A *	4/1999	Birbara ..... 4/144.3
5,235,705 A	8/1993	Belisle		5,913,832 A	6/1999	Sagalovich et al.
D340,731 S *	10/1993	Pollak et al. ....	D7/700	5,926,858 A	7/1999	Heller
D341,157 S	11/1993	Kitahara et al.		5,957,904 A	9/1999	Holland
5,267,988 A	12/1993	Farkas		5,961,501 A	10/1999	Cassidy et al.
5,267,990 A	12/1993	Cross et al.		6,021,531 A *	2/2000	Kirko ..... D24/112
D348,315 S	6/1994	Hanifl et al.		D425,982 S	5/2000	Wilkinson et al.
5,329,644 A	7/1994	Scott		D425,983 S	5/2000	Wilkinson et al.
5,331,689 A	7/1994	Hag		6,059,762 A	5/2000	Boyer et al.
5,358,148 A	10/1994	Hanifl		6,065,726 A	5/2000	Pfaeffle
5,406,650 A	4/1995	Einbinder		D426,302 S	6/2000	Wilkinson
5,445,292 A	8/1995	Slomski et al.		6,070,275 A	6/2000	Garlock
5,450,632 A	9/1995	Esswein et al.		6,079,057 A	6/2000	Mette
5,457,823 A	10/1995	Mojena		6,098,210 A	8/2000	Broden
5,505,717 A	4/1996	Moore		6,109,441 A	8/2000	Anderson
5,551,097 A	9/1996	Short		6,119,280 A	9/2000	Rentsch
5,562,622 A	10/1996	Tihon		D449,105 S *	10/2001	Azo ..... D24/122
D376,201 S	12/1996	Norton		D450,118 S *	11/2001	Hyde ..... D24/122
D378,129 S	2/1997	Wexler et al.				

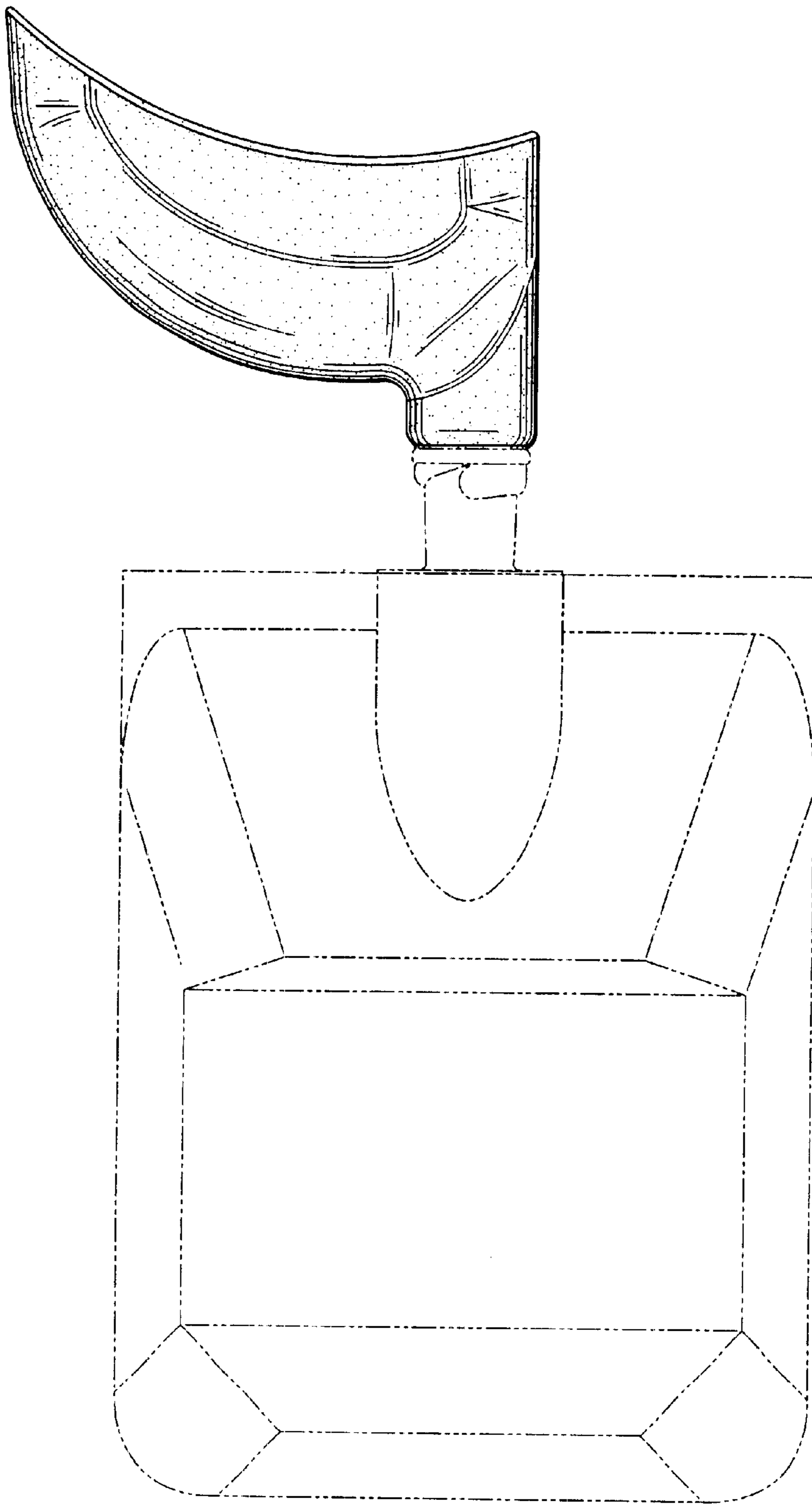
\* cited by examiner



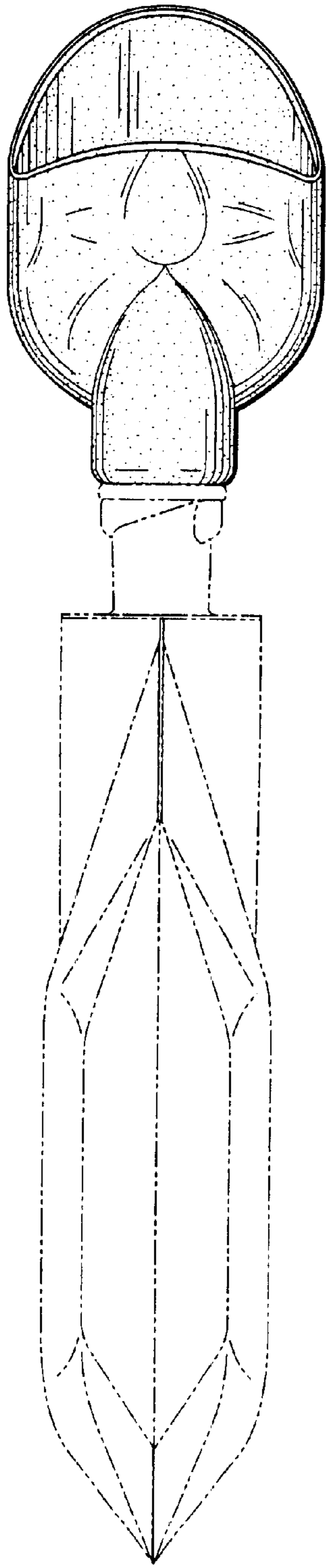
*Fig. 1*



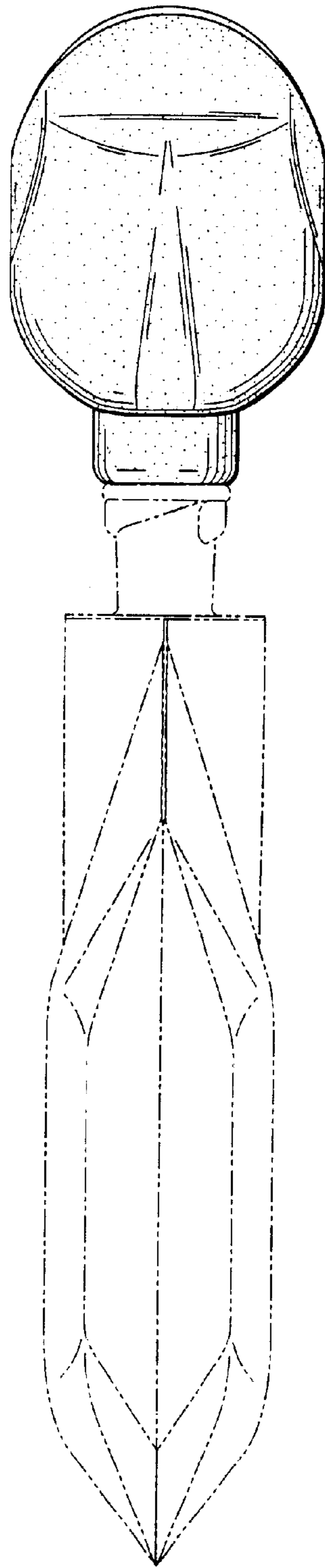
*Fig. 2*



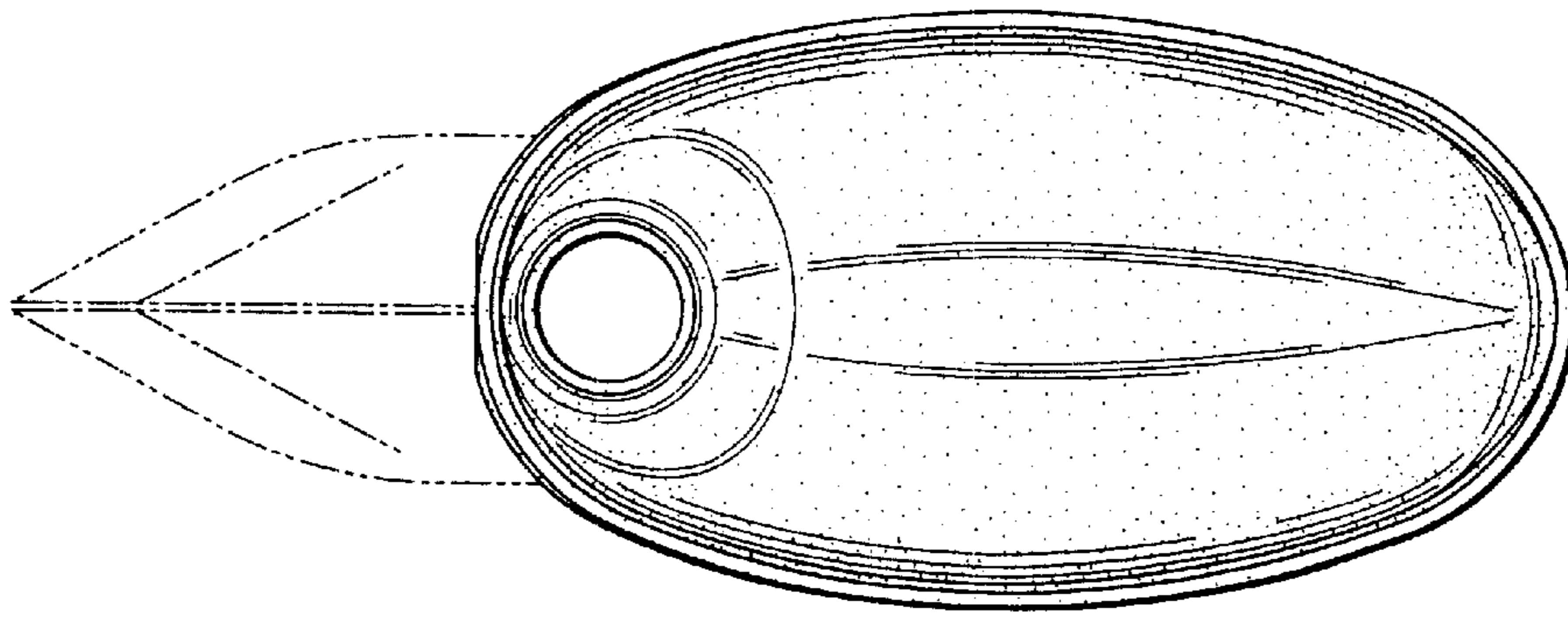
*Fig. 3*



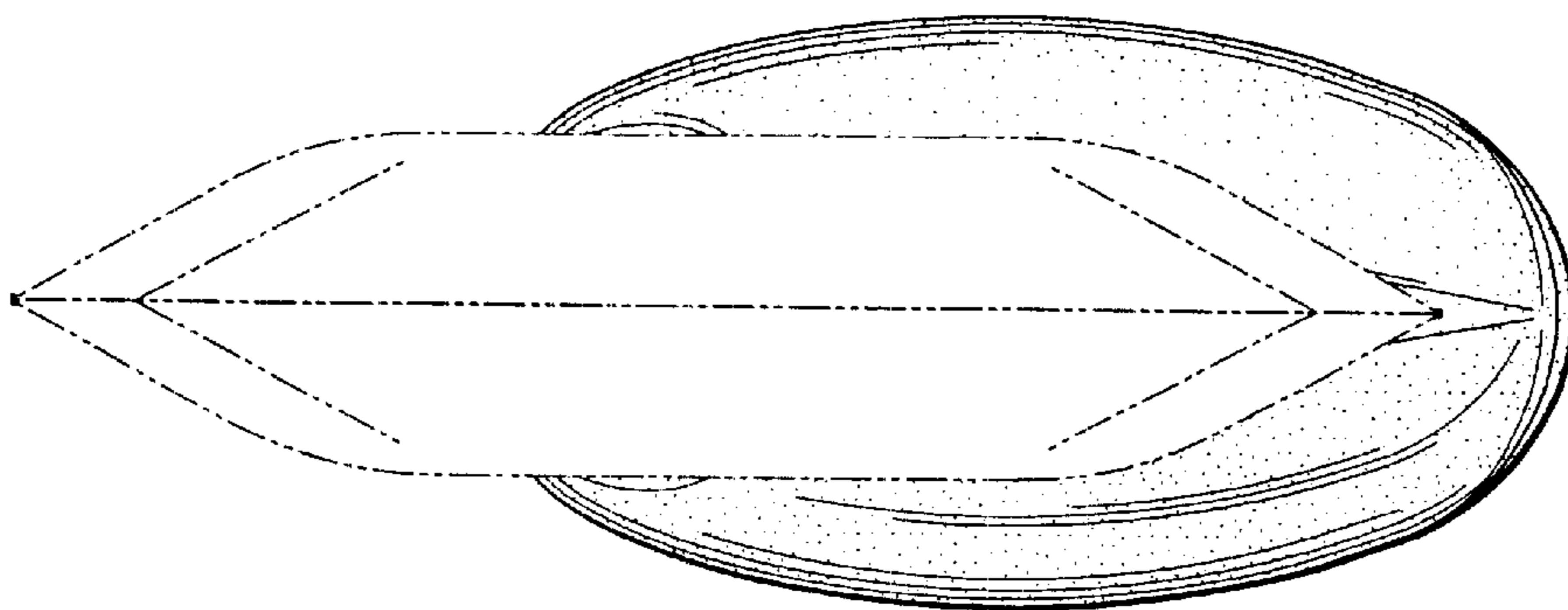
*Fig. 4*



*Fig. 5*



*Fig. 6*



*Fig. 7*