



US00D467335S

(12) **United States Design Patent**
Lithgow et al.

(10) **Patent No.:** **US D467,335 S**

(45) **Date of Patent:** **** Dec. 17, 2002**

(54) **AIR DELIVERY DEVICE**

D454,393 S * 3/2002 Lynch et al. D24/110

(75) Inventors: **Perry D. Lithgow**, Glenwood (AU);
Andrew Cheung, Burwood (AU);
Susan Robyn Lynch, Epping (AU)

(73) Assignee: **ResMed Limited**, North Ryde (AU)

(**) Term: **14 Years**

(21) Appl. No.: **29/156,276**

(22) Filed: **Feb. 27, 2002**

(30) **Foreign Application Priority Data**

Aug. 27, 2001 (AU) 2699/2001

(51) **LOC (7) Cl.** **29-02**

(52) **U.S. Cl.** **D24/110**

(58) **Field of Search** D24/110; 128/204.23,
128/204.14, 204.18, 200.14, 200.23, 204.21,
200.18, 200.16, 200.24

(56) **References Cited**

U.S. PATENT DOCUMENTS

5,673,687 A * 10/1997 Dobson et al. 128/200.24
D421,298 S 2/2000 Kenyon et al.
D427,675 S 7/2000 Hansel
D450,116 S * 11/2001 Dal Toso D24/110
D453,567 S 2/2002 Voegele et al.

OTHER PUBLICATIONS

Product Brochure: "BIPAP® Duet® System," ©Respironics Inc. (Feb. 1997), 4 pages.

Product Brochure: "REMStar® Plus," ©Respironics Inc. (2001), 6 pages.

* cited by examiner

Primary Examiner—Ian Simmons

(74) *Attorney, Agent, or Firm*—Pillsbury Winthrop LLP

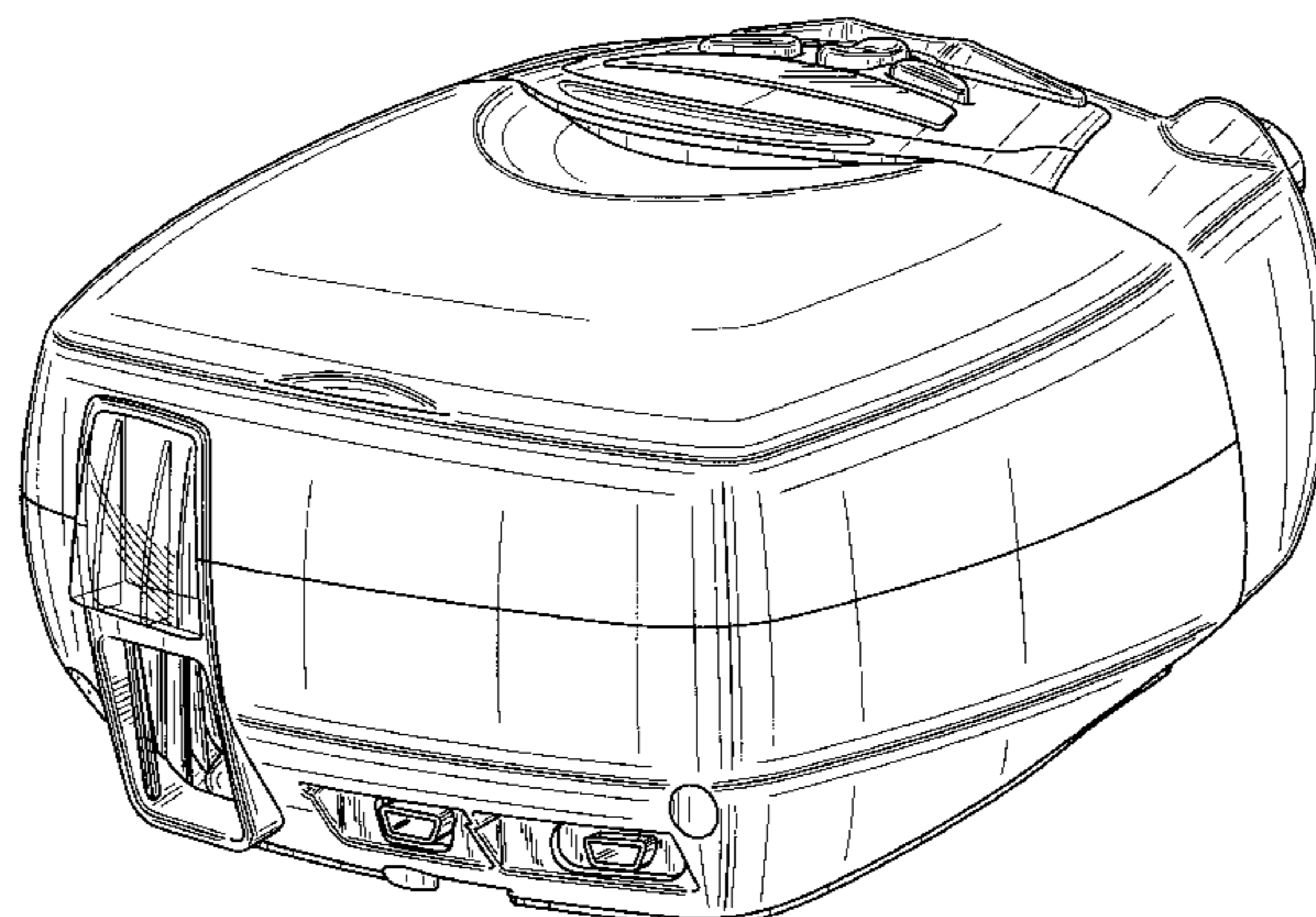
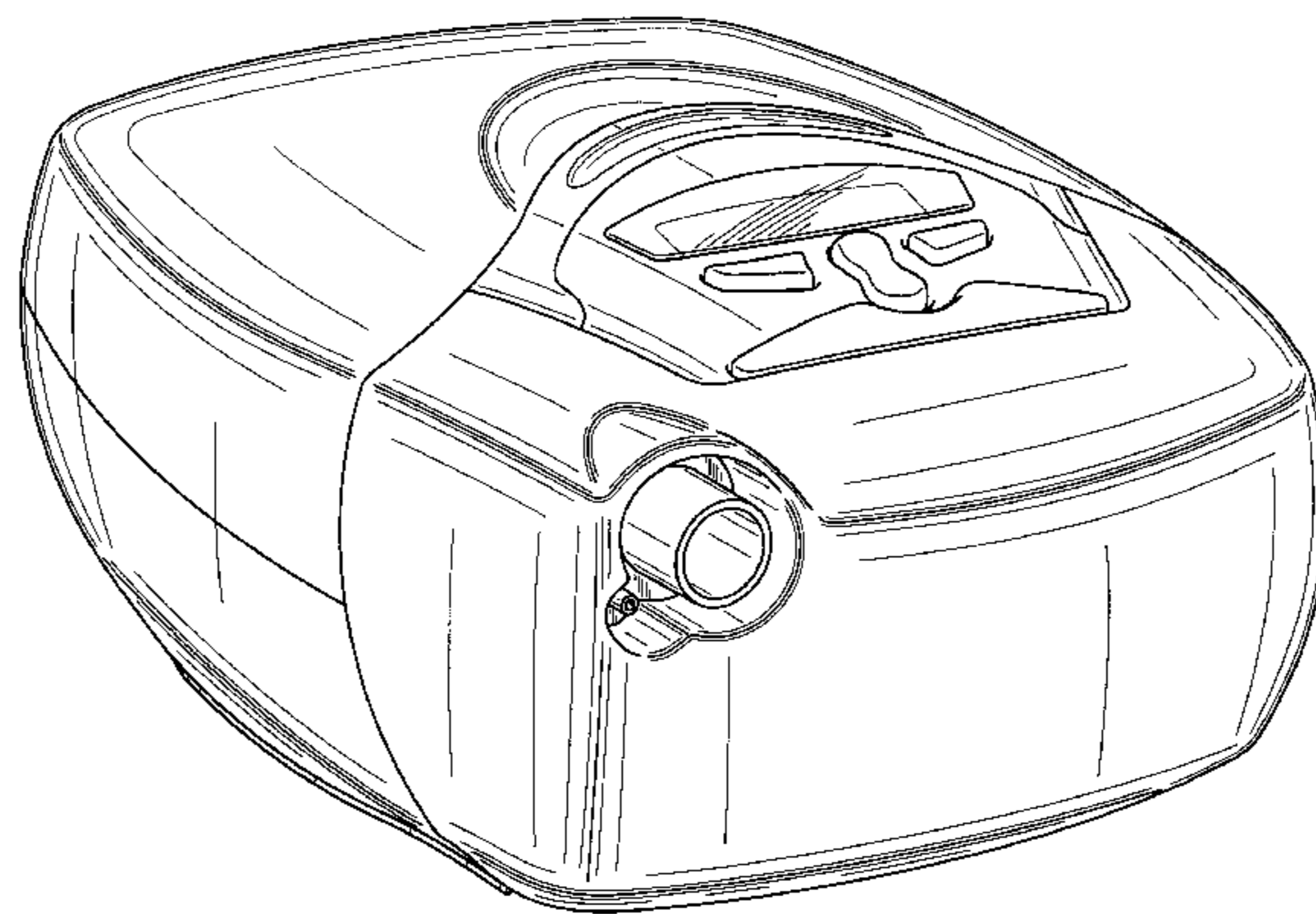
(57) **CLAIM**

The ornamental design for an air delivery device, as shown and described.

DESCRIPTION

FIG. 1 is a top view of an air delivery device according to one preferred embodiment of the present invention; FIG. 2 is a front view thereof; FIG. 3 is a rear view thereof; FIG. 4 is a left side view thereof; FIG. 5 is a right side view thereof; FIG. 6 is a front perspective view from the front and left corner thereof; and, FIG. 7 is a rear perspective view from the rear and left corner thereof.

1 Claim, 6 Drawing Sheets



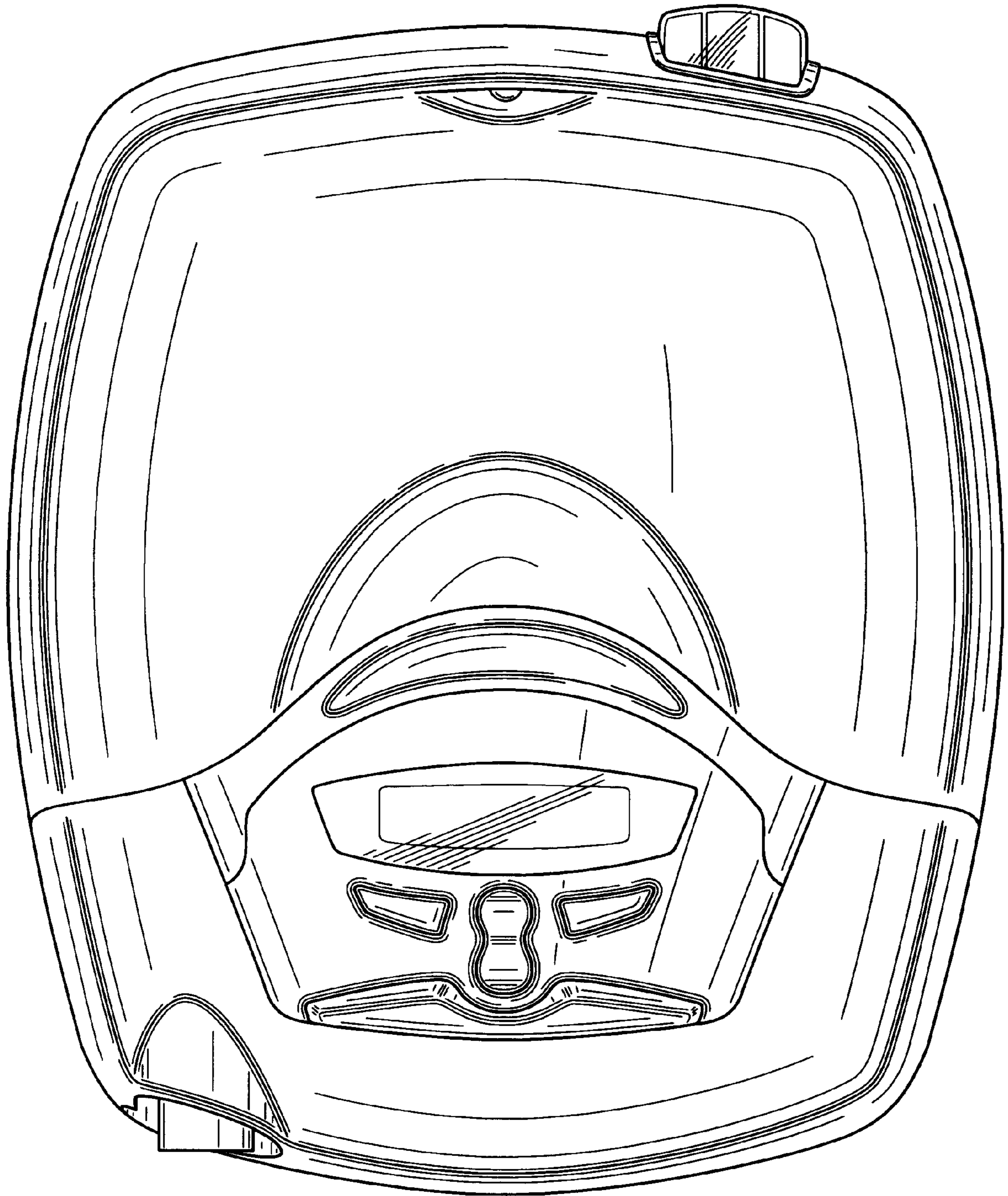


FIG. 1

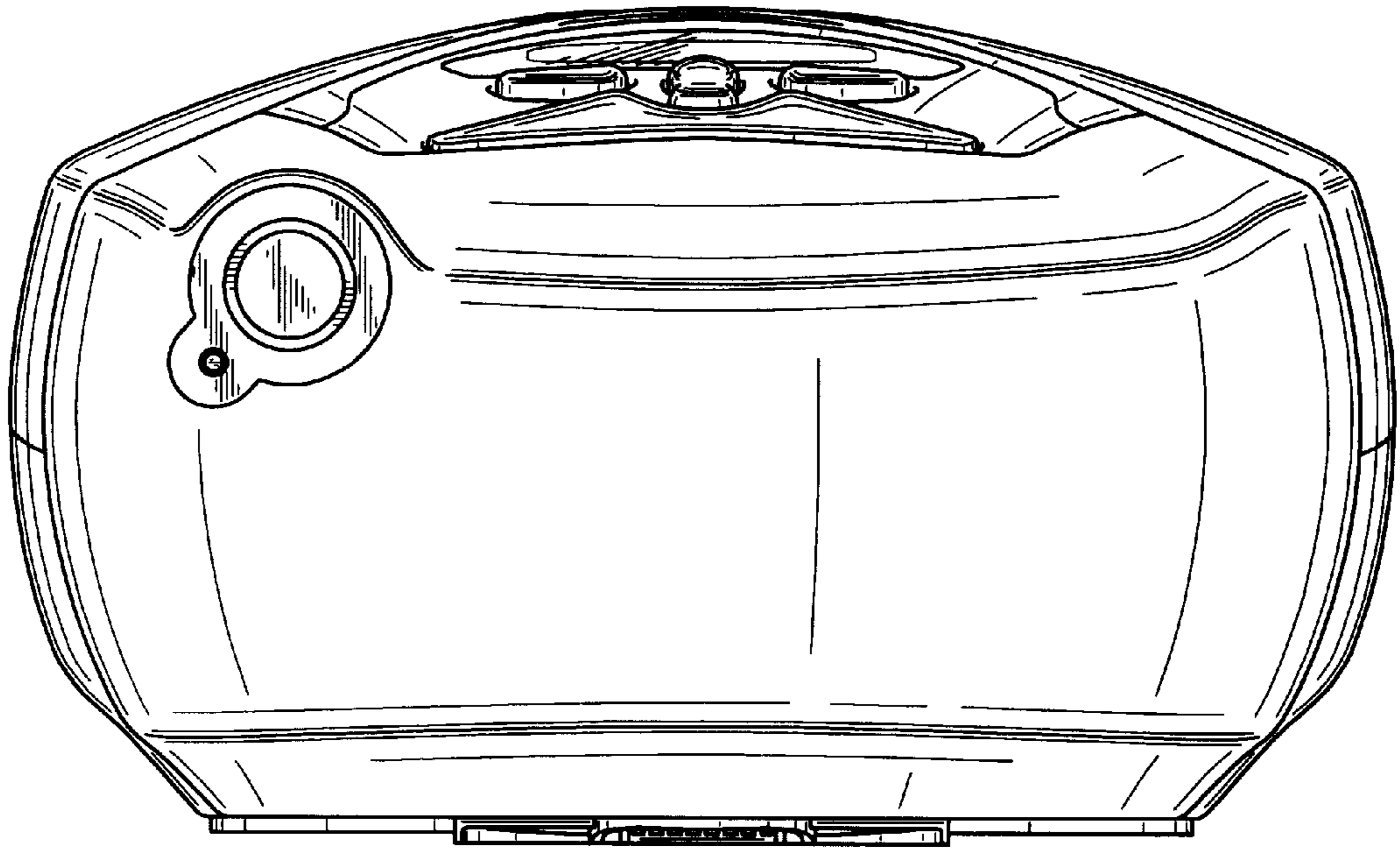


FIG. 2

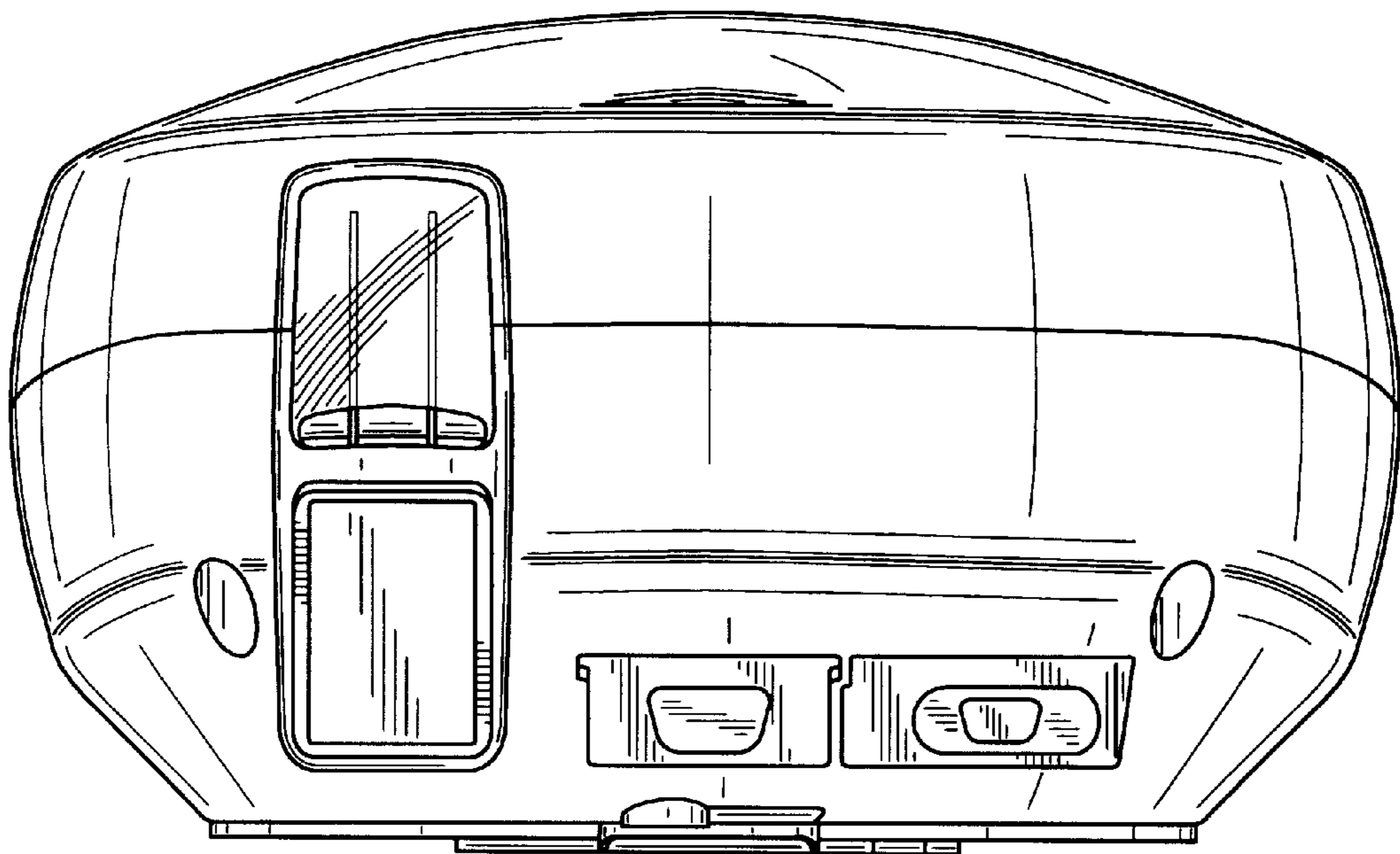


FIG. 3

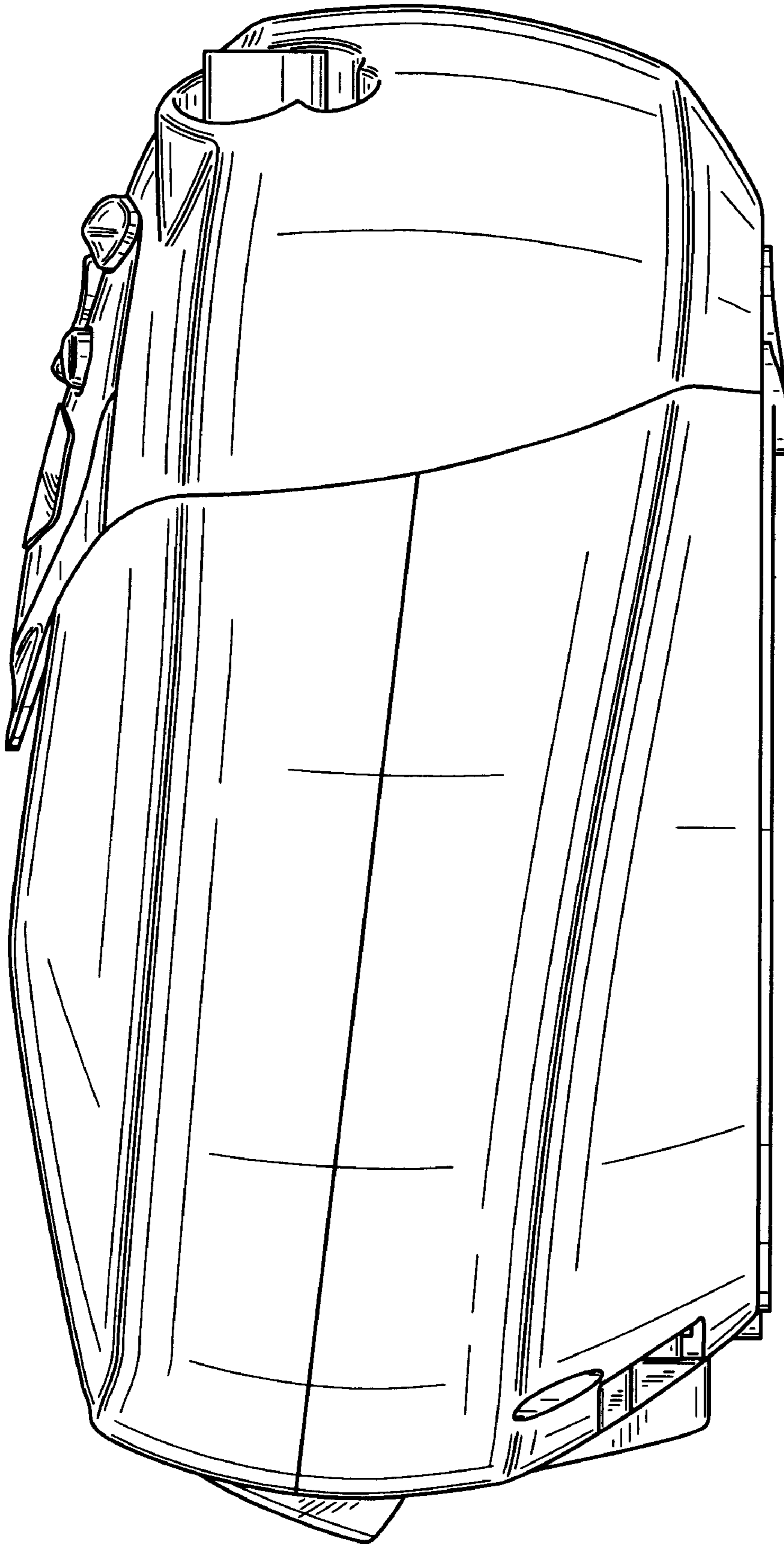


FIG. 4

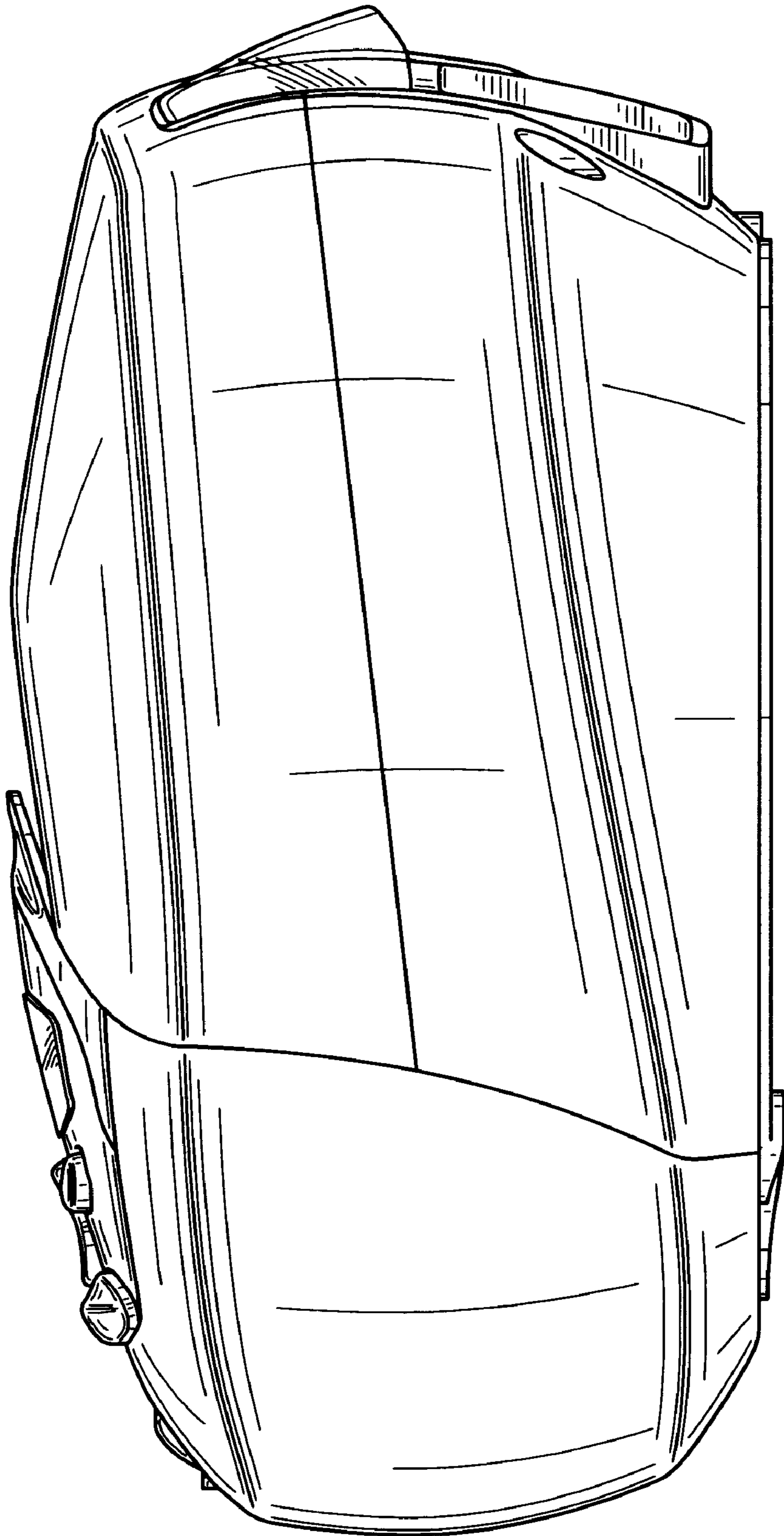


FIG. 5

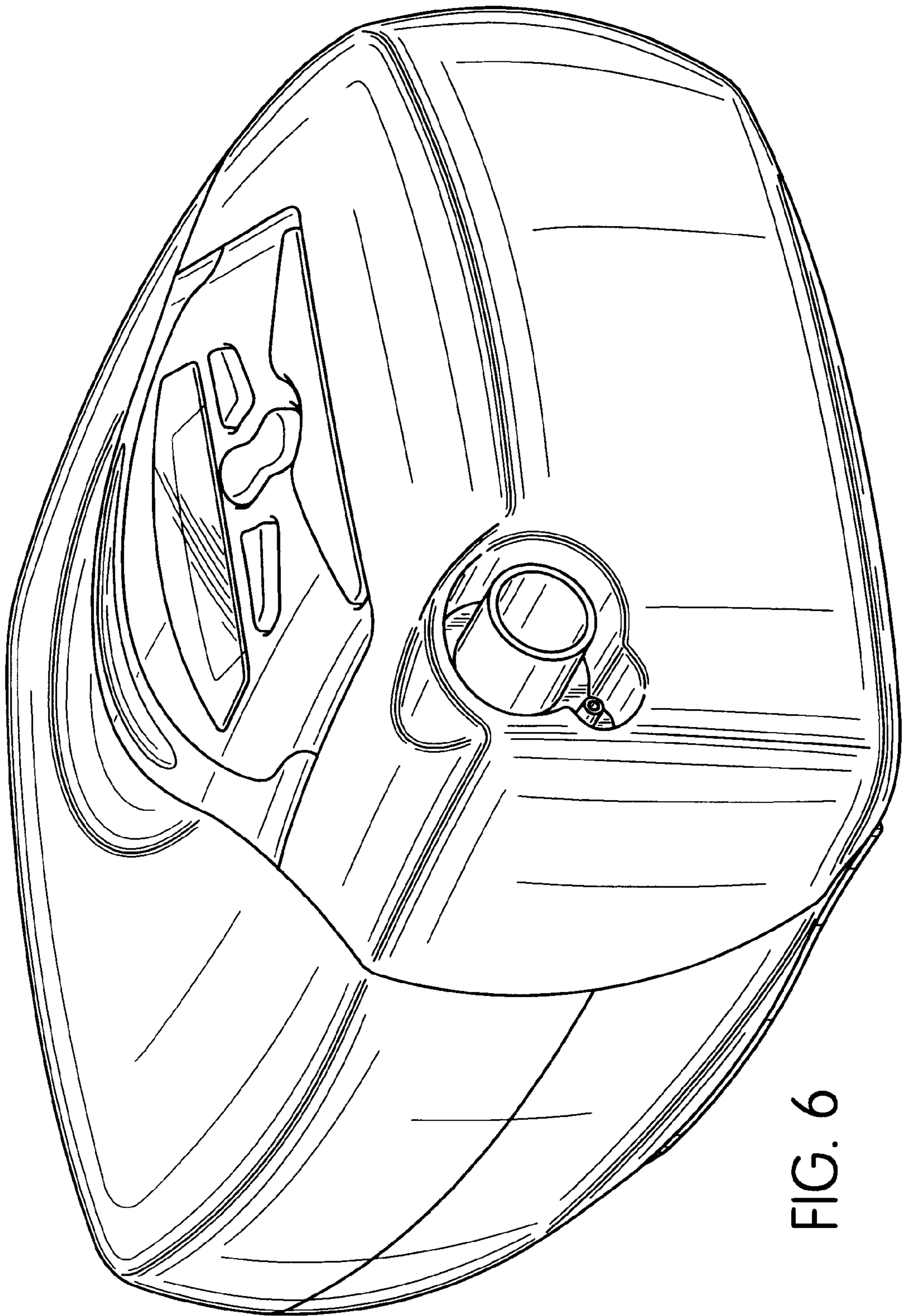


FIG. 6

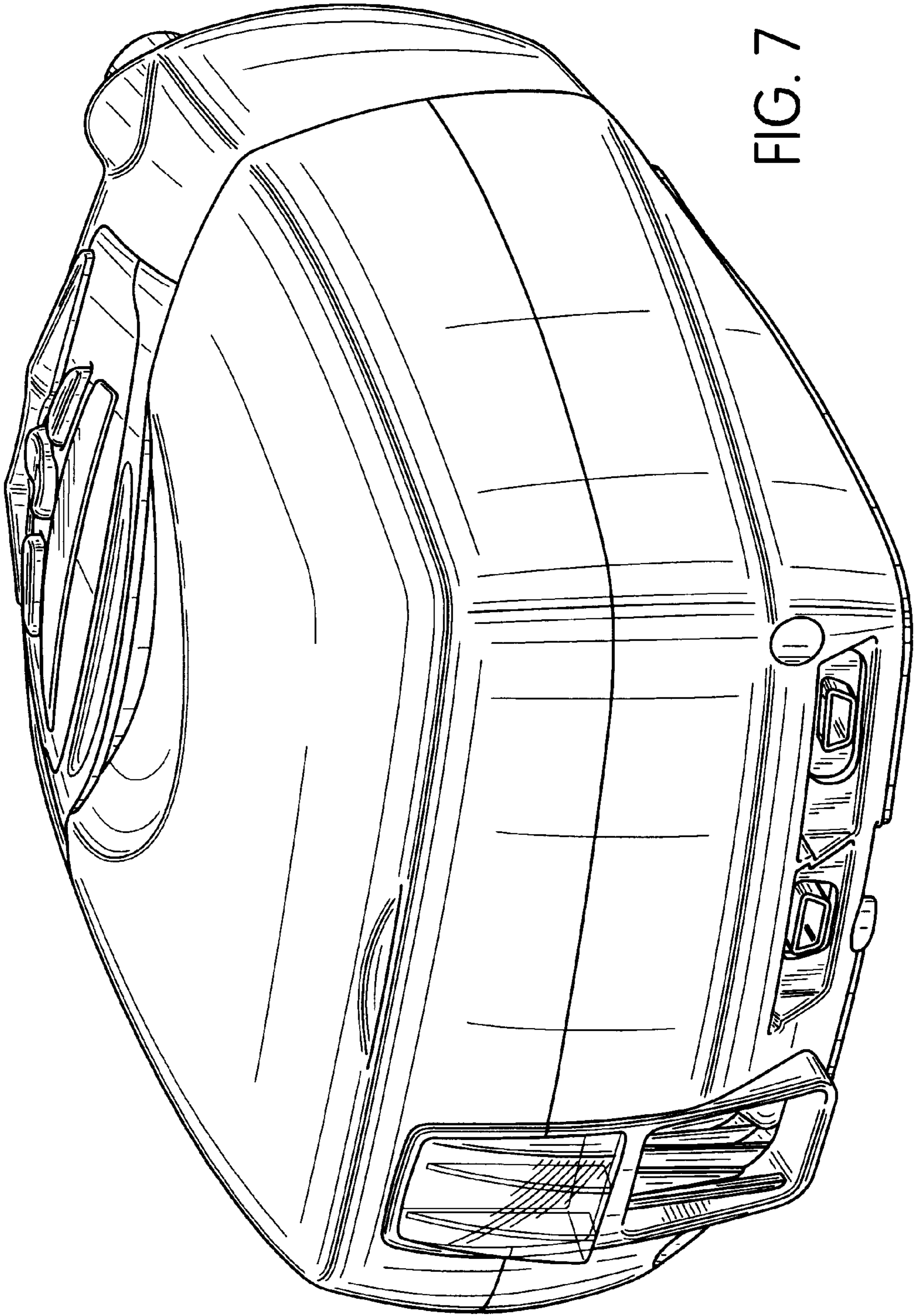


FIG. 7