



US00D467323S

(12) **United States Design Patent**  
**Cho**

(10) **Patent No.:** **US D467,323 S**

(45) **Date of Patent:** **\*\* Dec. 17, 2002**

(54) **BODY WARMING DEVICE**

(76) **Inventor:** **Yong-Soo Cho**, 106-1602 Ssang-Young  
Apt. 17, Yunghung-Dong, Buk-gu,  
Pohang-shi, Kyung-sang-Bukdo (KR)

(\*\*) **Term:** **14 Years**

(21) **Appl. No.:** **29/143,152**

(22) **Filed:** **Jun. 11, 2001**

(51) **LOC (7) Cl.** ..... **23-03**

(52) **U.S. Cl.** ..... **D23/332**

(58) **Field of Search** ..... D23/314, 332,  
D23/205; D24/200, 206; 126/204, 207,  
208, 210; 220/565, 581, 771; 392/365-9,  
373-6

(56) **References Cited**

**U.S. PATENT DOCUMENTS**

D26,527 S	*	1/1897	Ralston	.....	D23/332
750,060 A	*	1/1904	Petty	.....	126/204
D37,194 S	*	10/1904	Boeck	.....	D23/335
898,613 A	*	9/1908	Varnum	.....	126/208
2,597,215 A	*	5/1952	Wright et al.	.....	392/365

2,960,982 A	*	11/1960	Clark	.....	126/208
3,650,501 A	*	3/1972	Streb	.....	220/565
D243,455 S	*	2/1977	Verini	.....	D23/205
4,375,860 A	*	3/1983	Greaves, Jr.	.....	220/565
D357,528 S	*	4/1995	Hsu	.....	D23/332

\* cited by examiner

*Primary Examiner*—B. J. Bullock

(74) *Attorney, Agent, or Firm*—Birch, Stewart, Kolasch &  
Birch, LLP

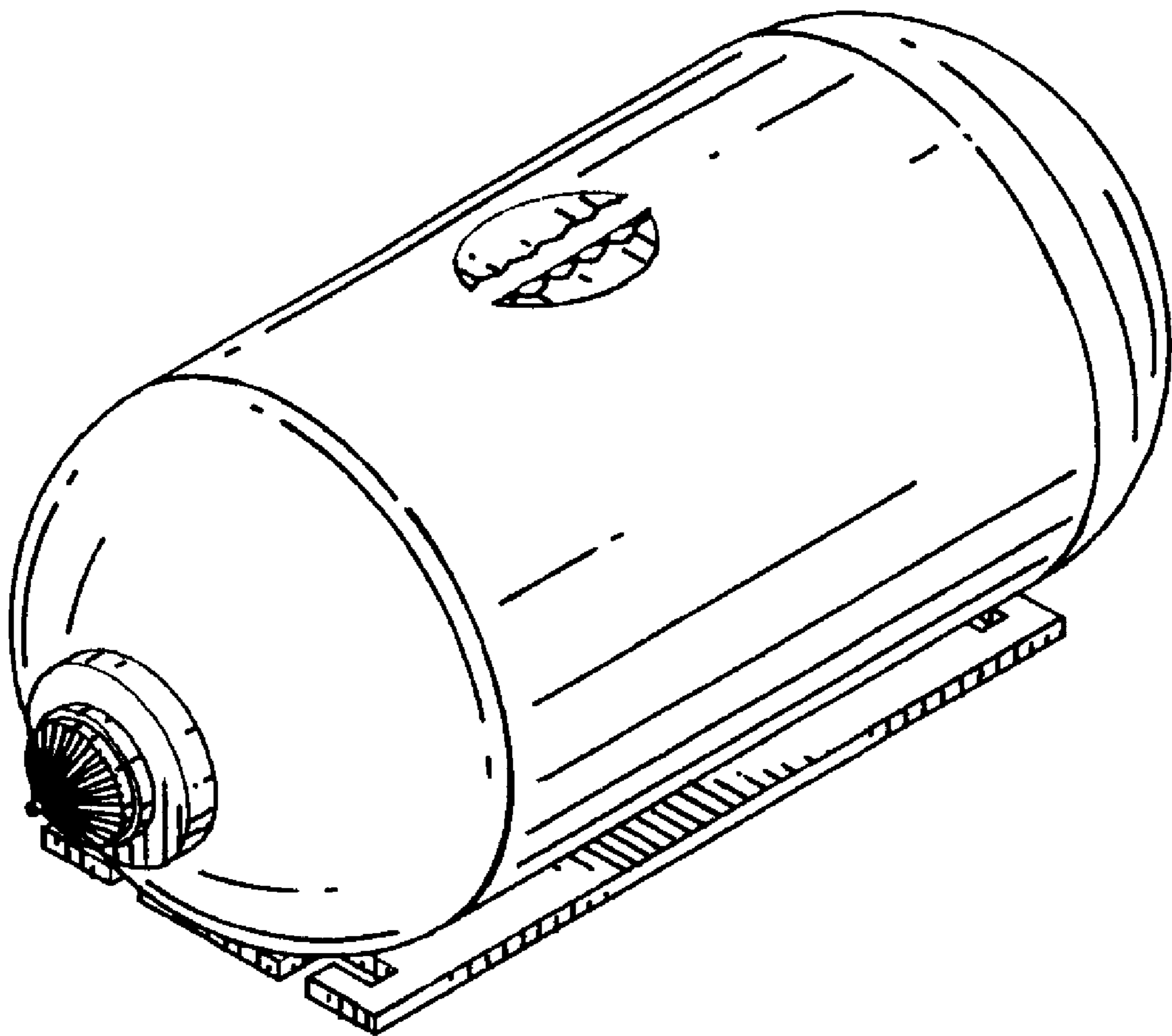
(57) **CLAIM**

The ornamental design for a body warming device, substantially as shown and described.

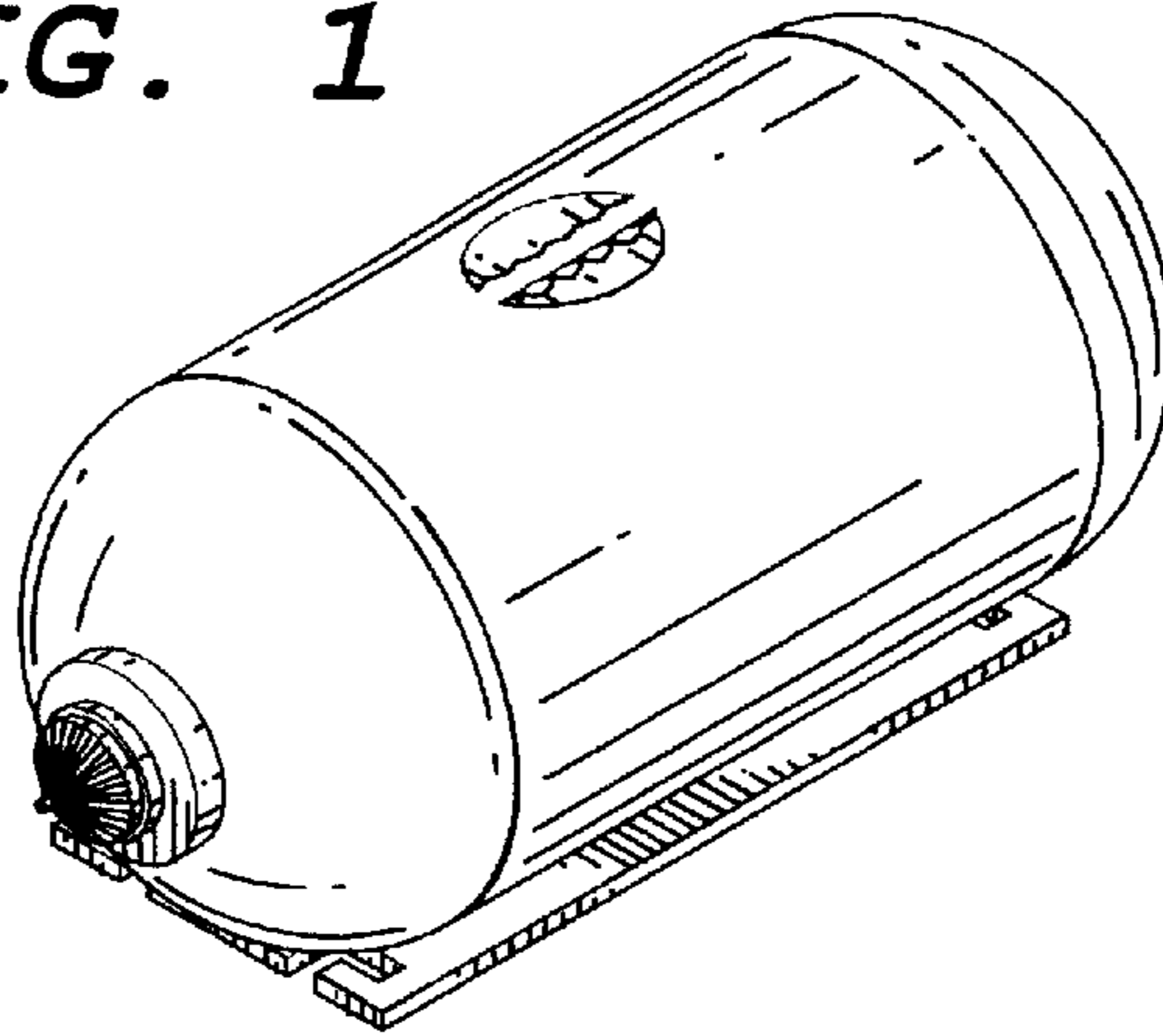
**DESCRIPTION**

FIG. 1 is a perspective view of the body warming device of the present invention;  
FIG. 2 is a front elevational view thereof;  
FIG. 3 is a rear elevational view thereof;  
FIG. 4 is a left side elevational view thereof;  
FIG. 5 is a right side elevational view thereof;  
FIG. 6 is a top plan view thereof; and,  
FIG. 7 is a bottom plan view thereof.

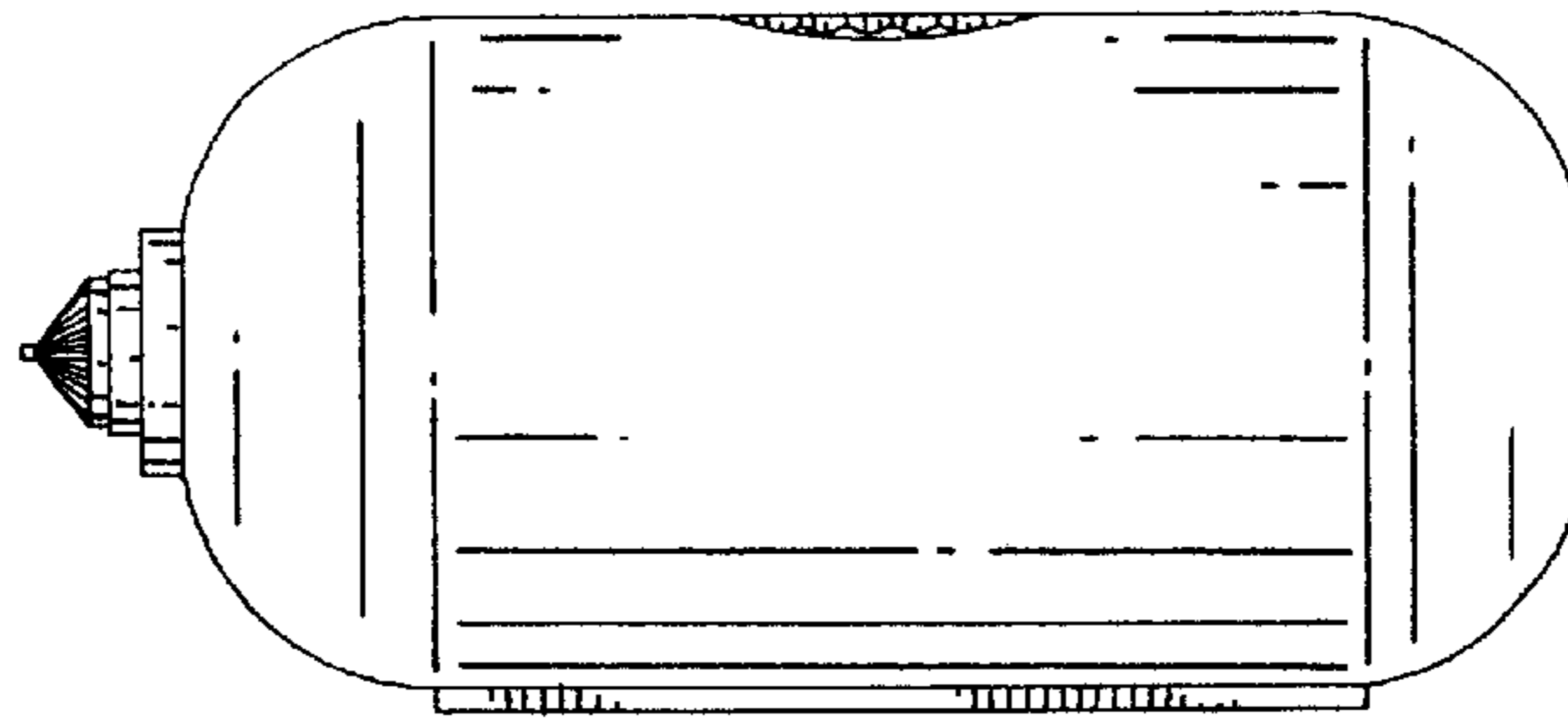
**1 Claim, 2 Drawing Sheets**



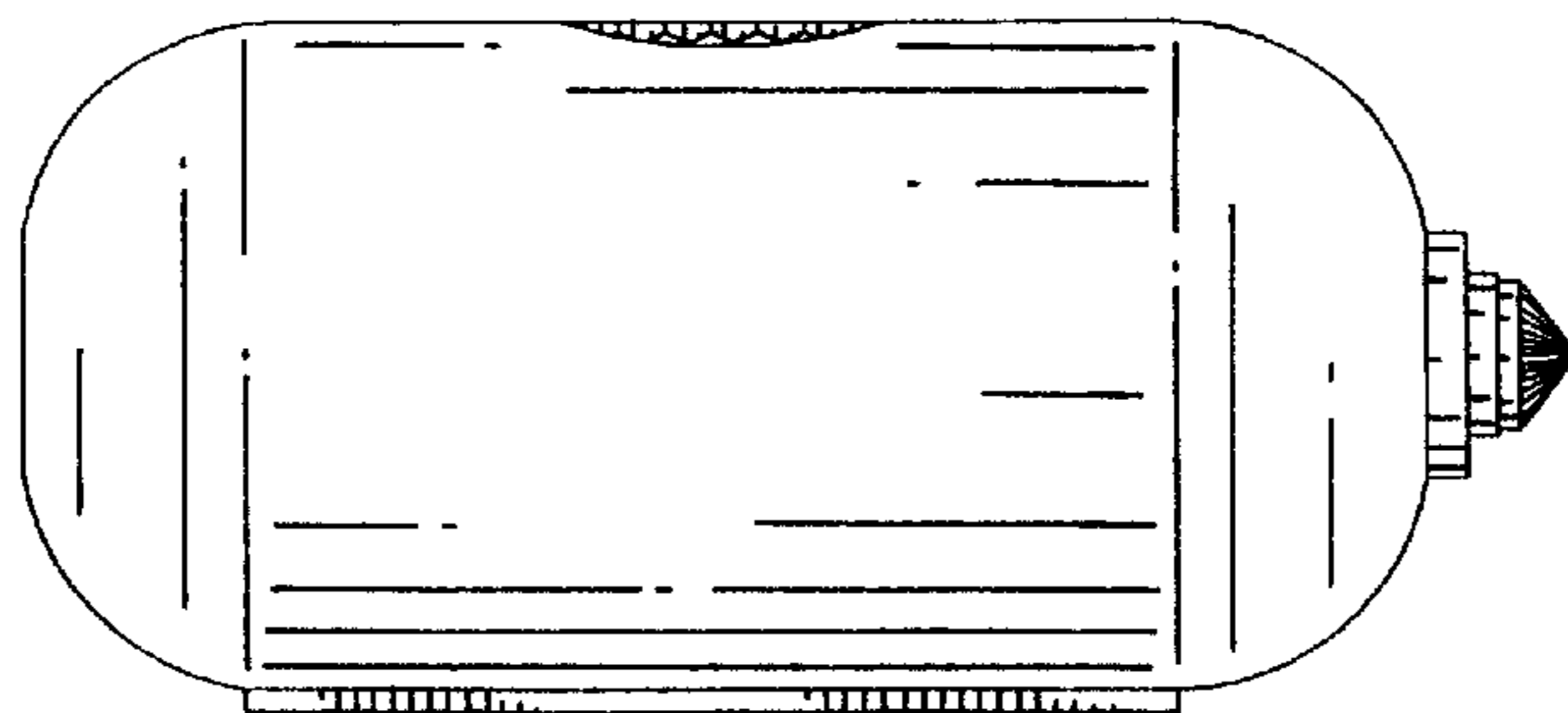
**FIG. 1**



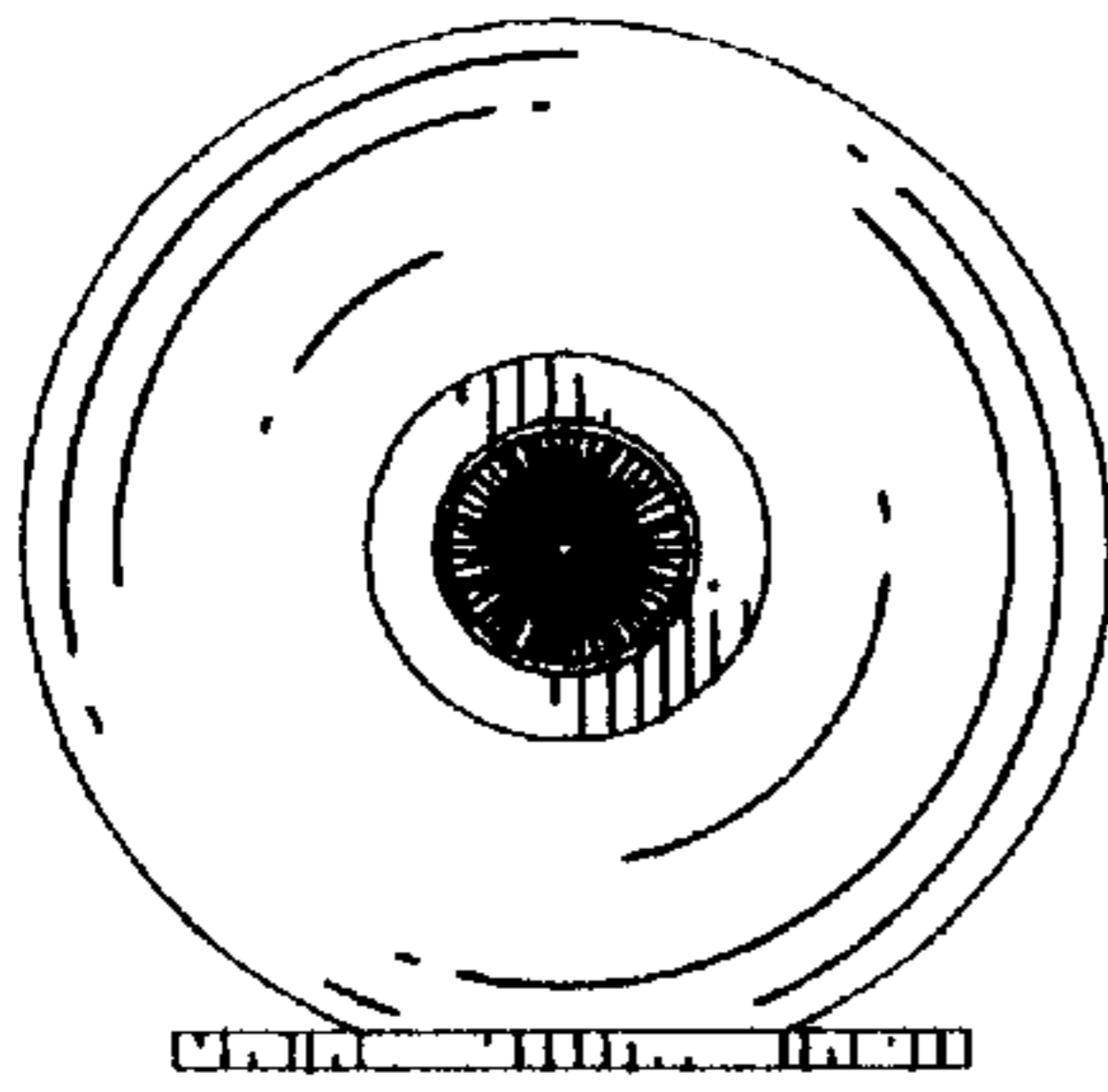
**FIG. 2**



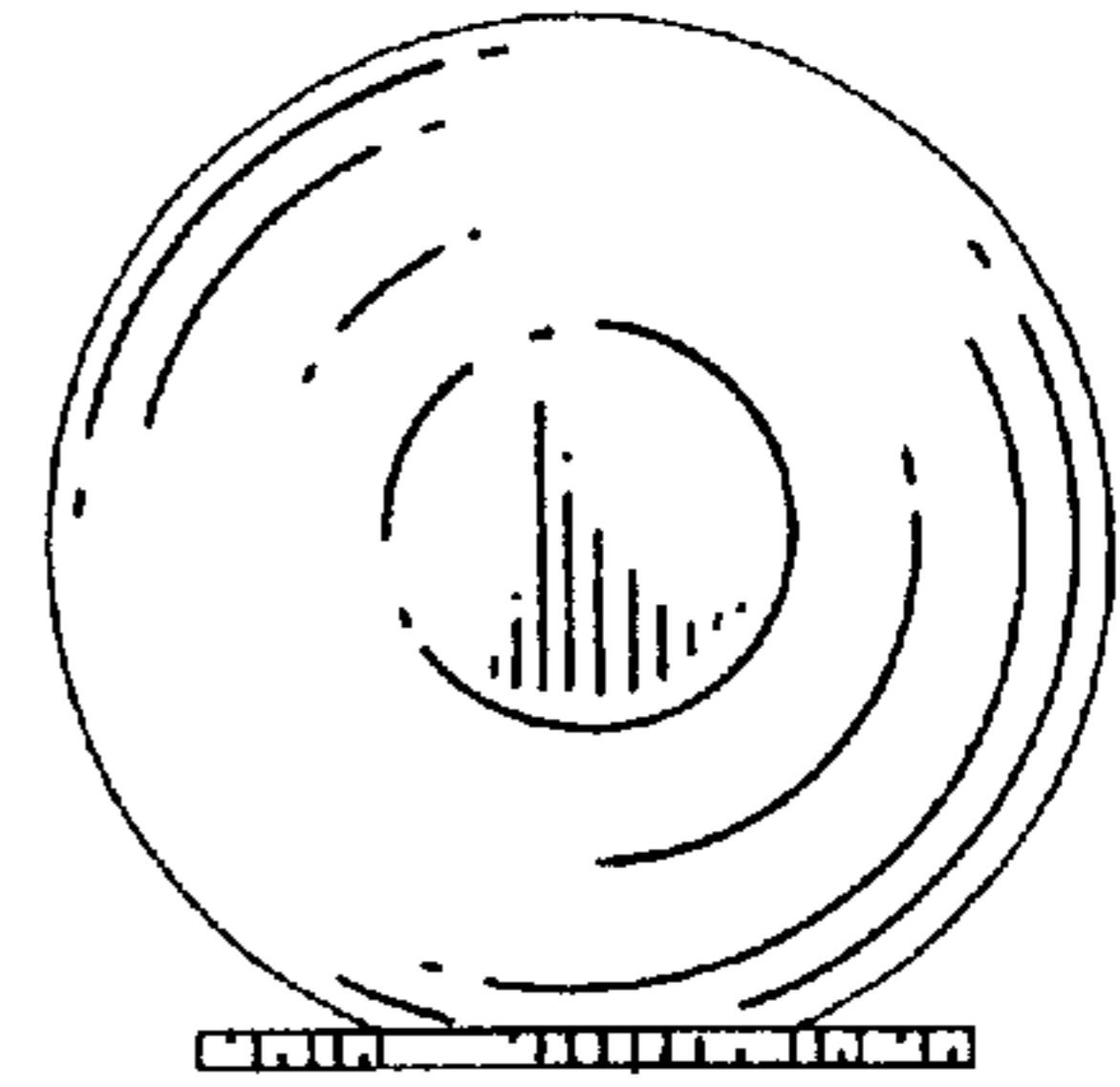
**FIG. 3**



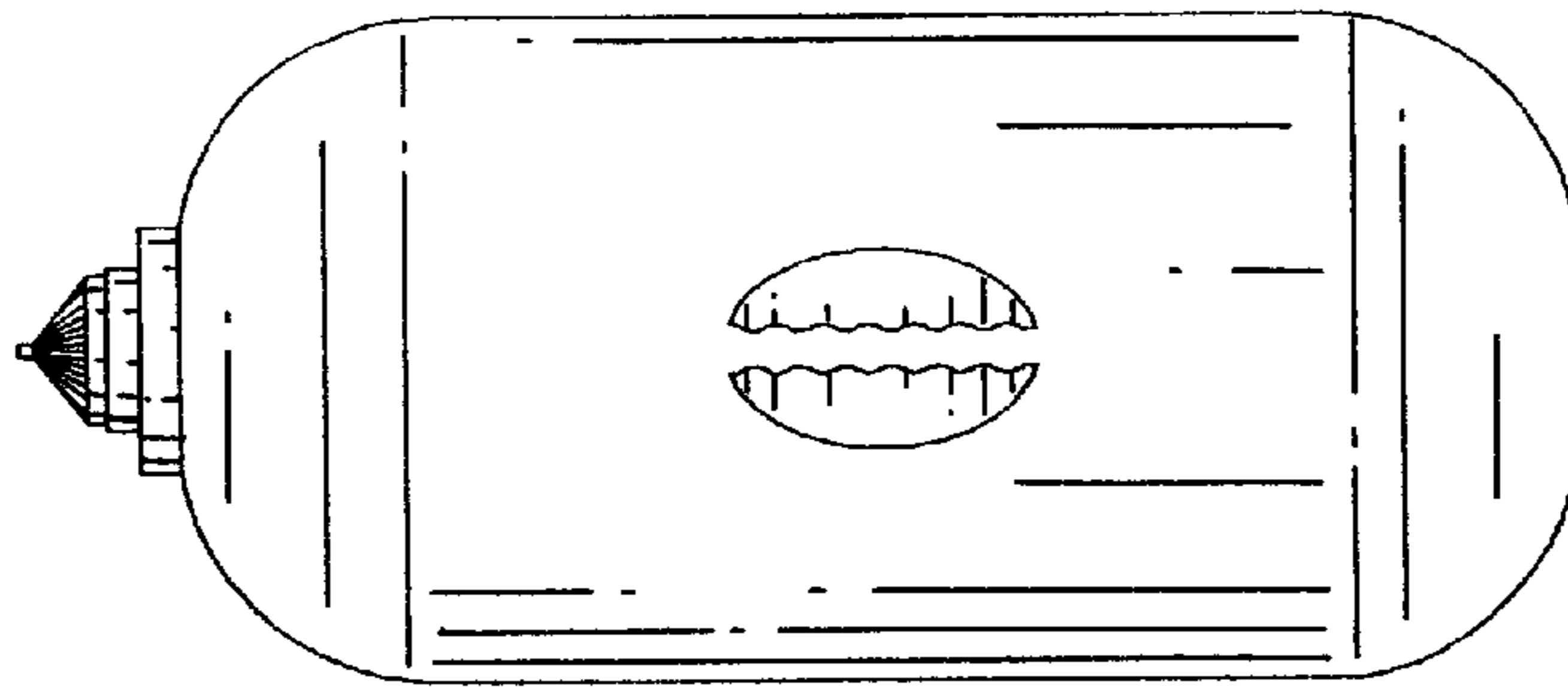
**FIG. 4**



**FIG. 5**



**FIG. 6**



**FIG. 7**

