



US00D467314S

(12) **United States Design Patent**
Otero

(10) **Patent No.:** **US D467,314 S**

(45) **Date of Patent:** **** *Dec. 17, 2002**

(54) **FAUCET HANDLE**

(75) **Inventor:** **Federico G. Otero, Carmel, IN (US)**

(73) **Assignee:** **Masco Corporation of Indiana, Indianapolis, IN (US)**

(*) **Notice:** This patent is subject to a terminal disclaimer.

(**) **Term:** **14 Years**

(21) **Appl. No.:** **29/152,001**

(22) **Filed:** **Dec. 12, 2001**

(51) **LOC (7) Cl.** **23-01**

(52) **U.S. Cl.** **D23/252**

(58) **Field of Search** 323/238-243,
323/249-254; D8/300-303, 308, 321, DIG. 3;
4/675-678; 16/110 R; 137/801

(56) **References Cited**

U.S. PATENT DOCUMENTS

D50,631 S	*	4/1917	Reid, Jr.	D23/246
D345,004 S	*	3/1994	Bengston	D23/254
D392,720 S	*	3/1998	Doughty et al.	D23/250
D404,470 S	*	1/1999	Pitsch et al.	D23/252
D420,106 S	*	2/2000	Green	D23/254
D430,650 S	*	9/2000	Graves	D23/242
D433,735 S	*	11/2000	Lord	D23/252

D434,118 S	*	11/2000	Lord	D23/252
D439,954 S	*	4/2001	Spangler	D23/252
D443,679 S	*	6/2001	Lord	D23/252
D448,456 S	*	9/2001	Lord	D23/252

* cited by examiner

Primary Examiner—Stella Reid

Assistant Examiner—Gregory Andoll

(74) *Attorney, Agent, or Firm*—Myron B. Kapustij; Lloyd D. Doigan

(57) **CLAIM**

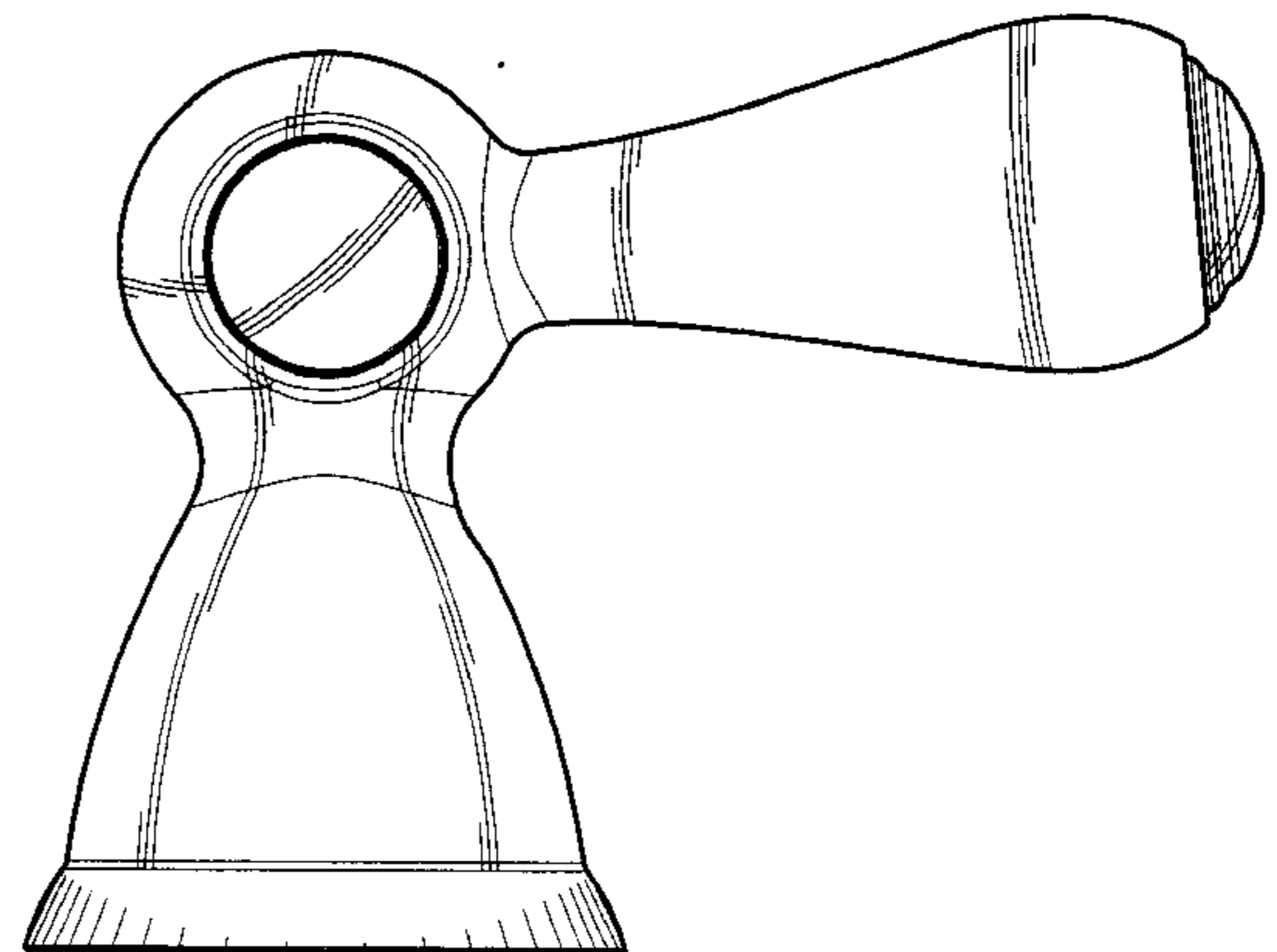
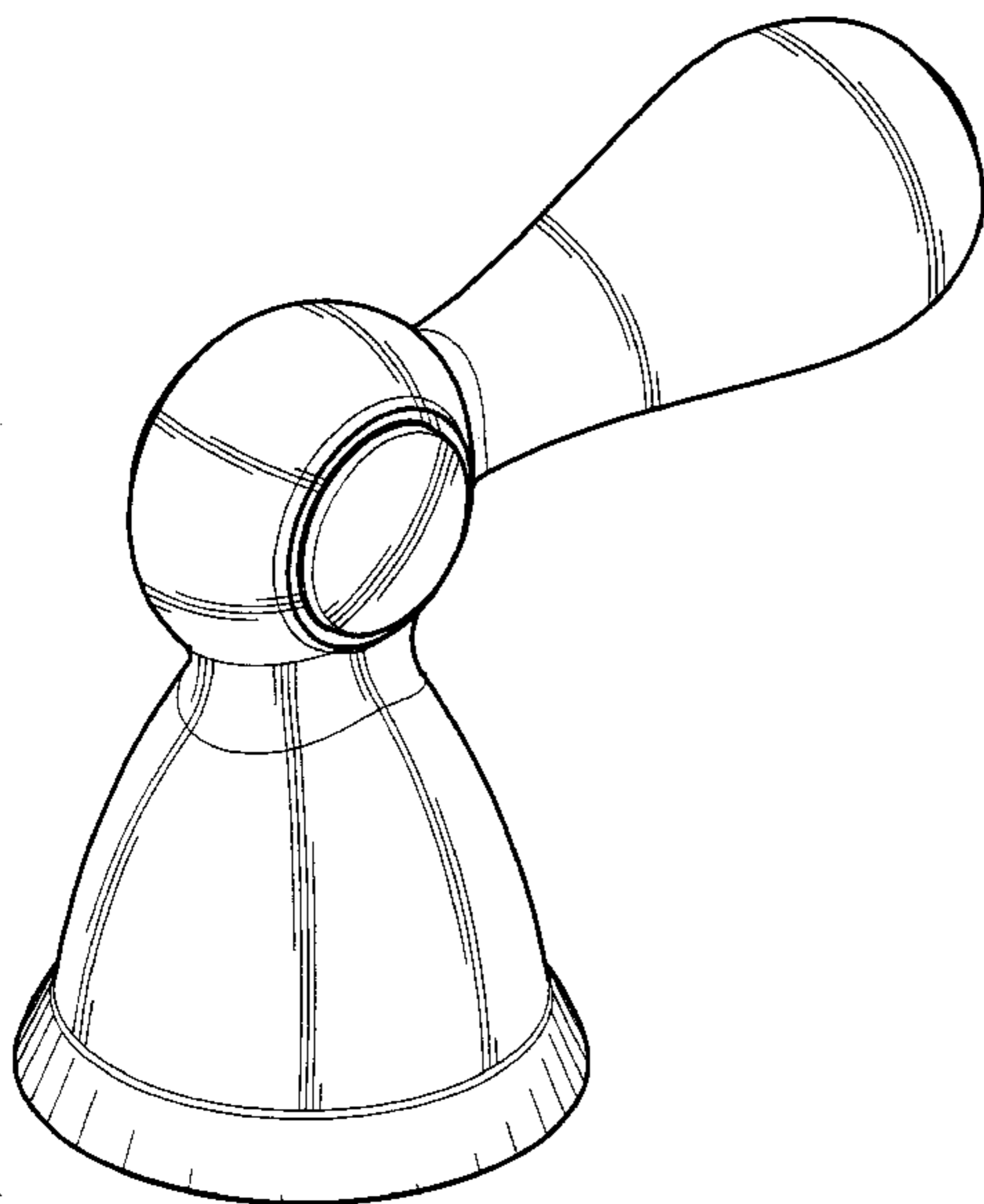
The ornamental design for a faucet handle, as shown and described.

DESCRIPTION

FIG. 1 is a front perspective view of the faucet handle showing my new design;
FIG. 2 is a rear perspective view thereof;
FIG. 3 is a rear elevational view thereof;
FIG. 4 is a right side elevational view thereof;
FIG. 5 is a front elevational view thereof;
FIG. 6 is a left side elevational view thereof;
FIG. 7 is a top plan view thereof; and,
FIG. 8 is a bottom plan view thereof.

The broken line showing of the handle set screw in FIGS. 2, 4 and 6 is for purposes of illustration only and forms no part of the claimed design.

1 Claim, 4 Drawing Sheets



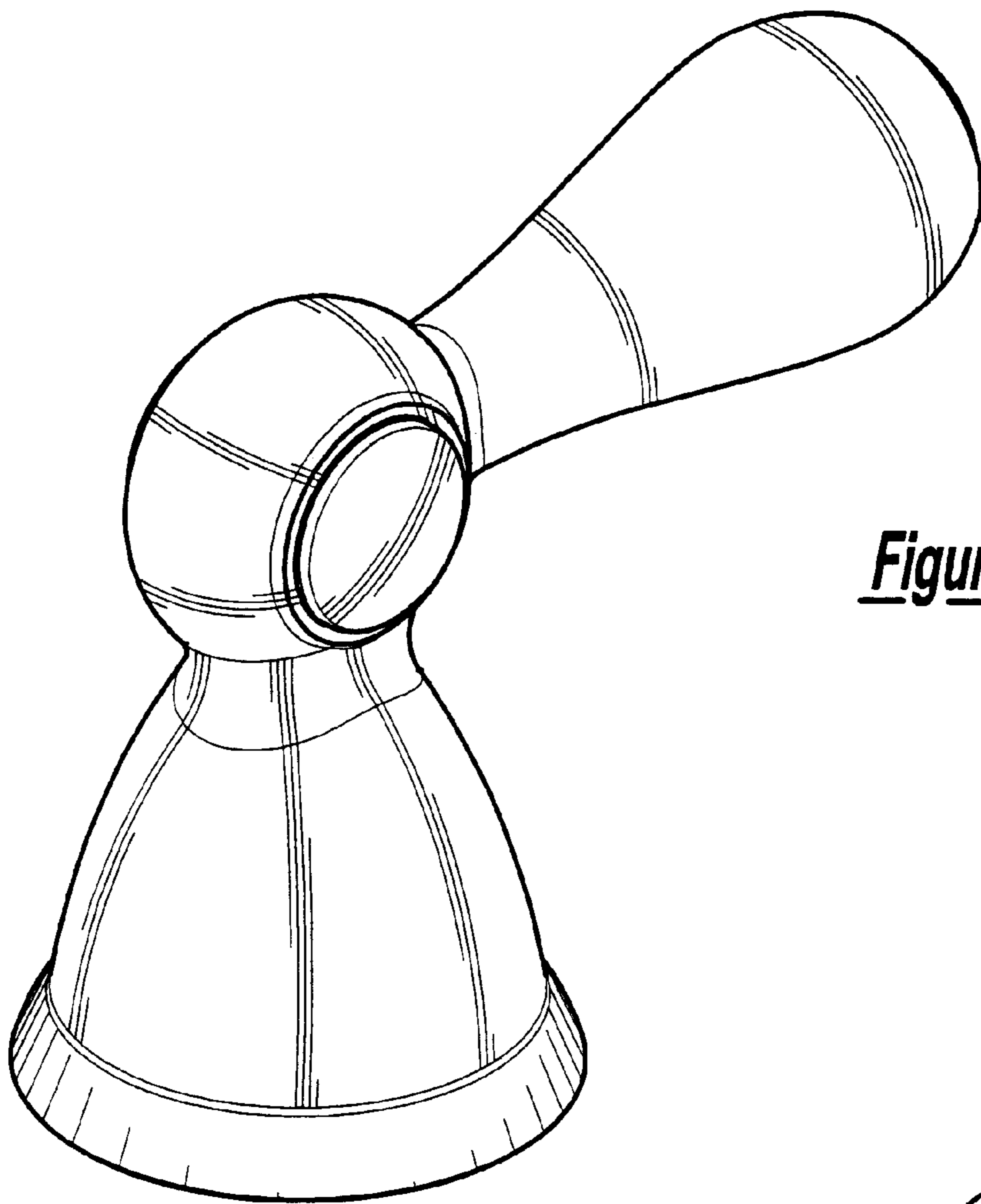


Figure - 1

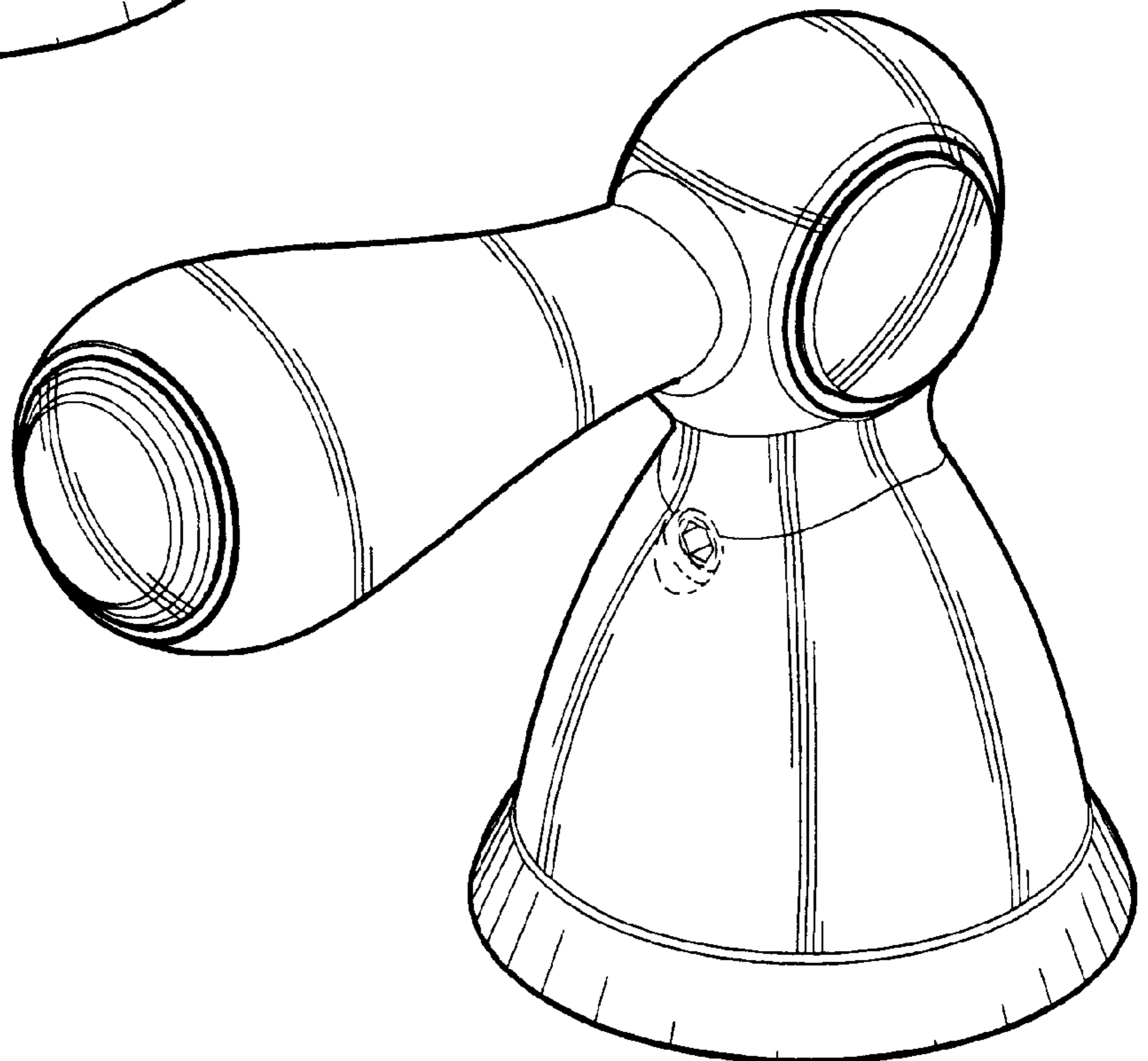


Figure - 2

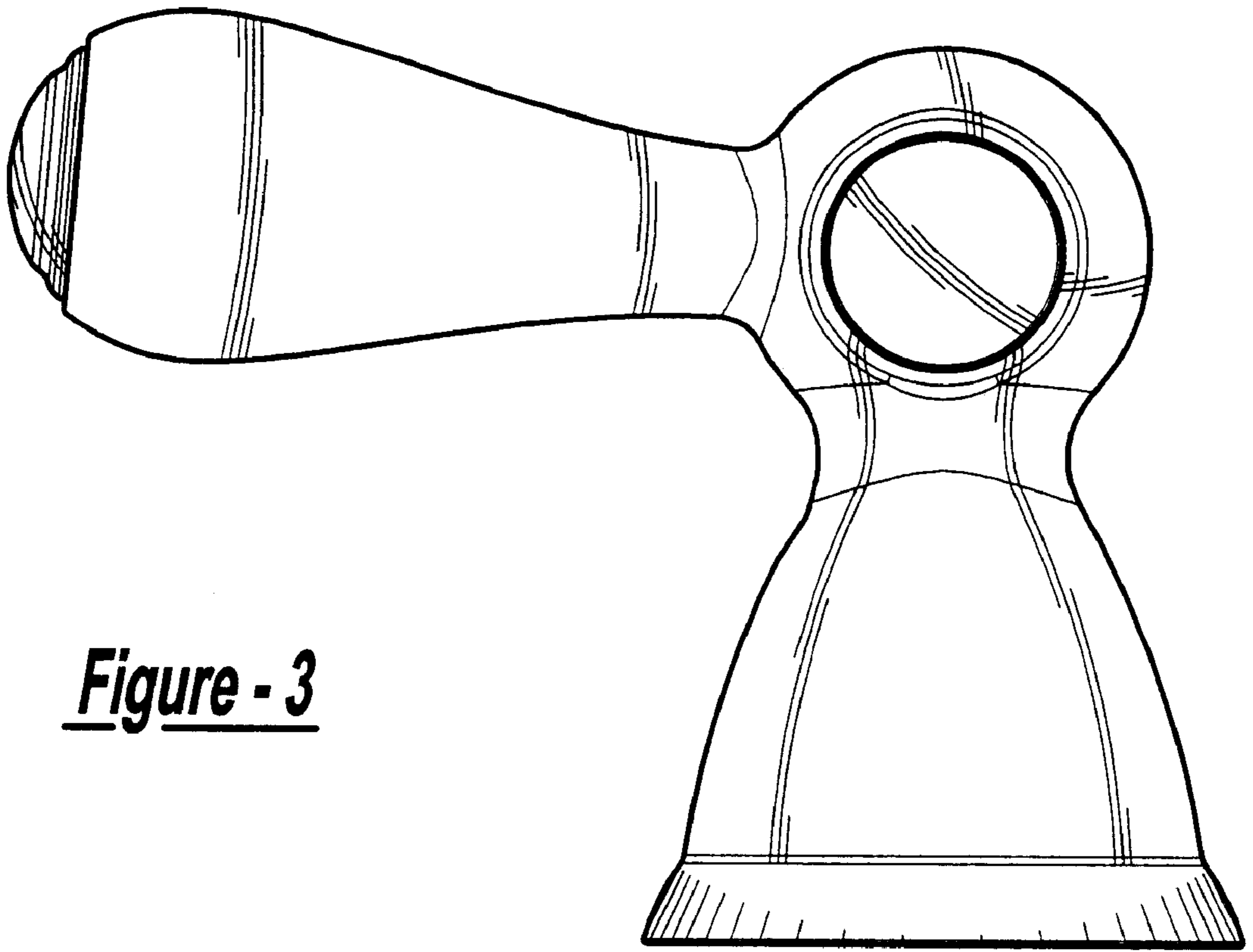


Figure - 3

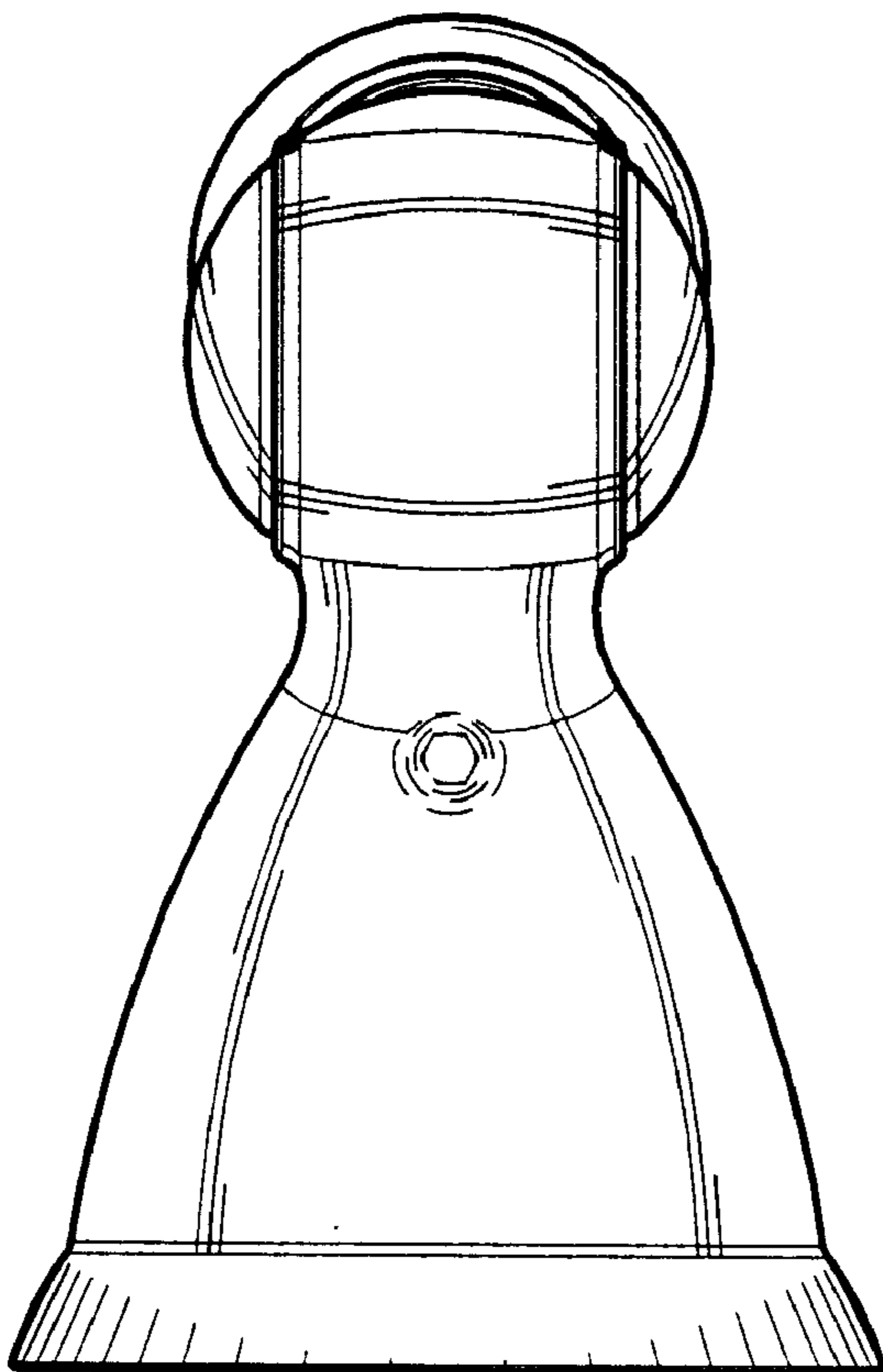


Figure - 4

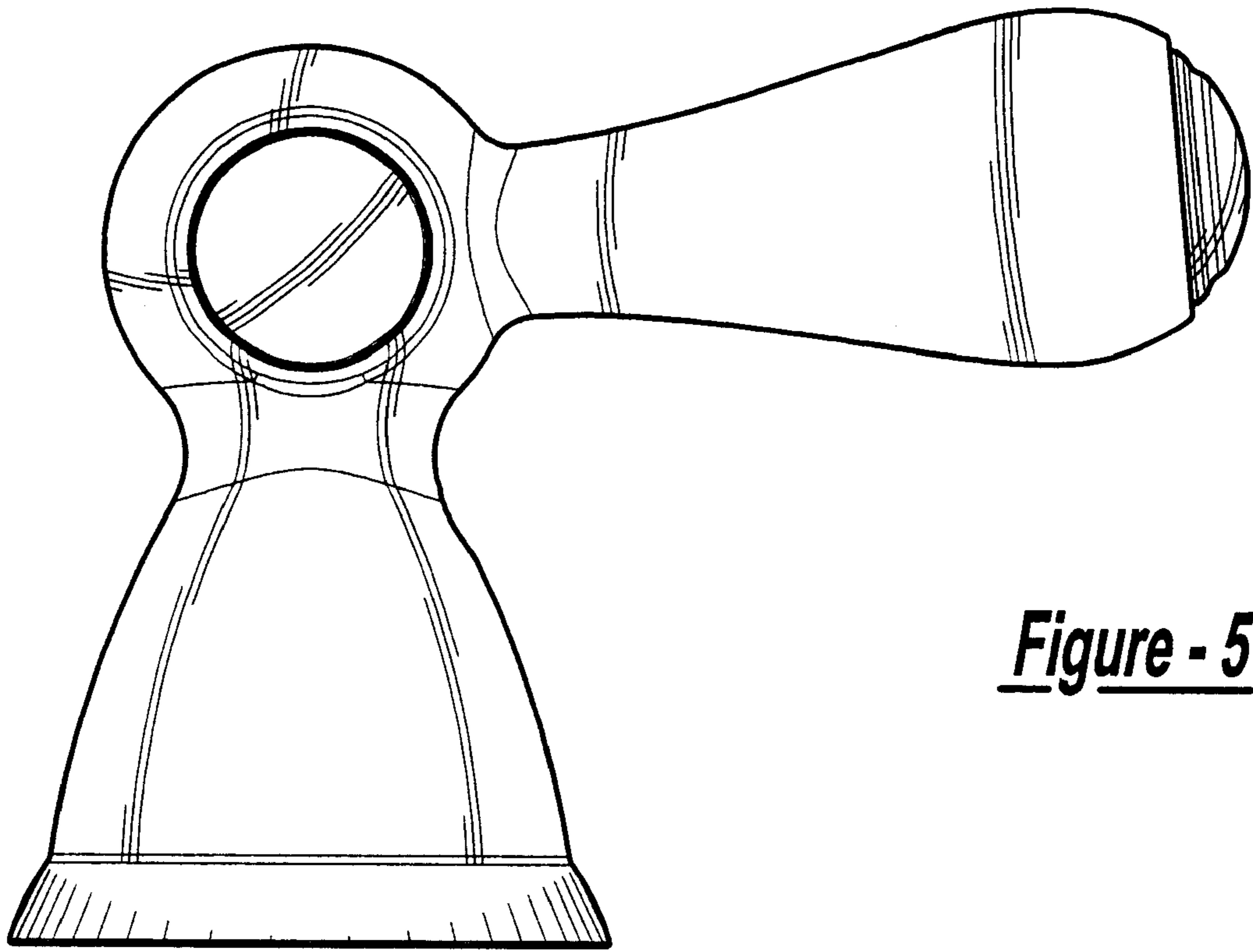


Figure - 5

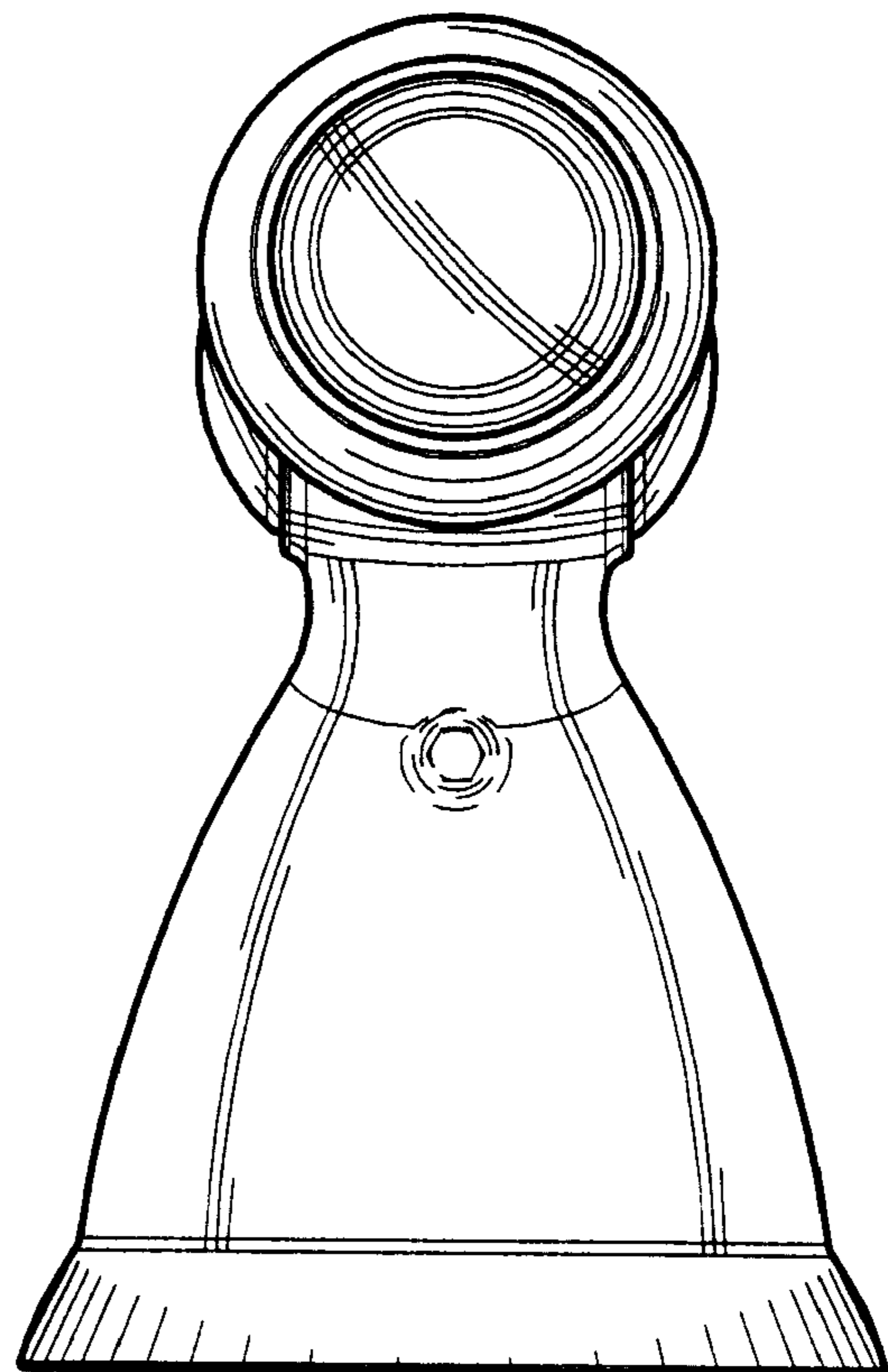


Figure - 6

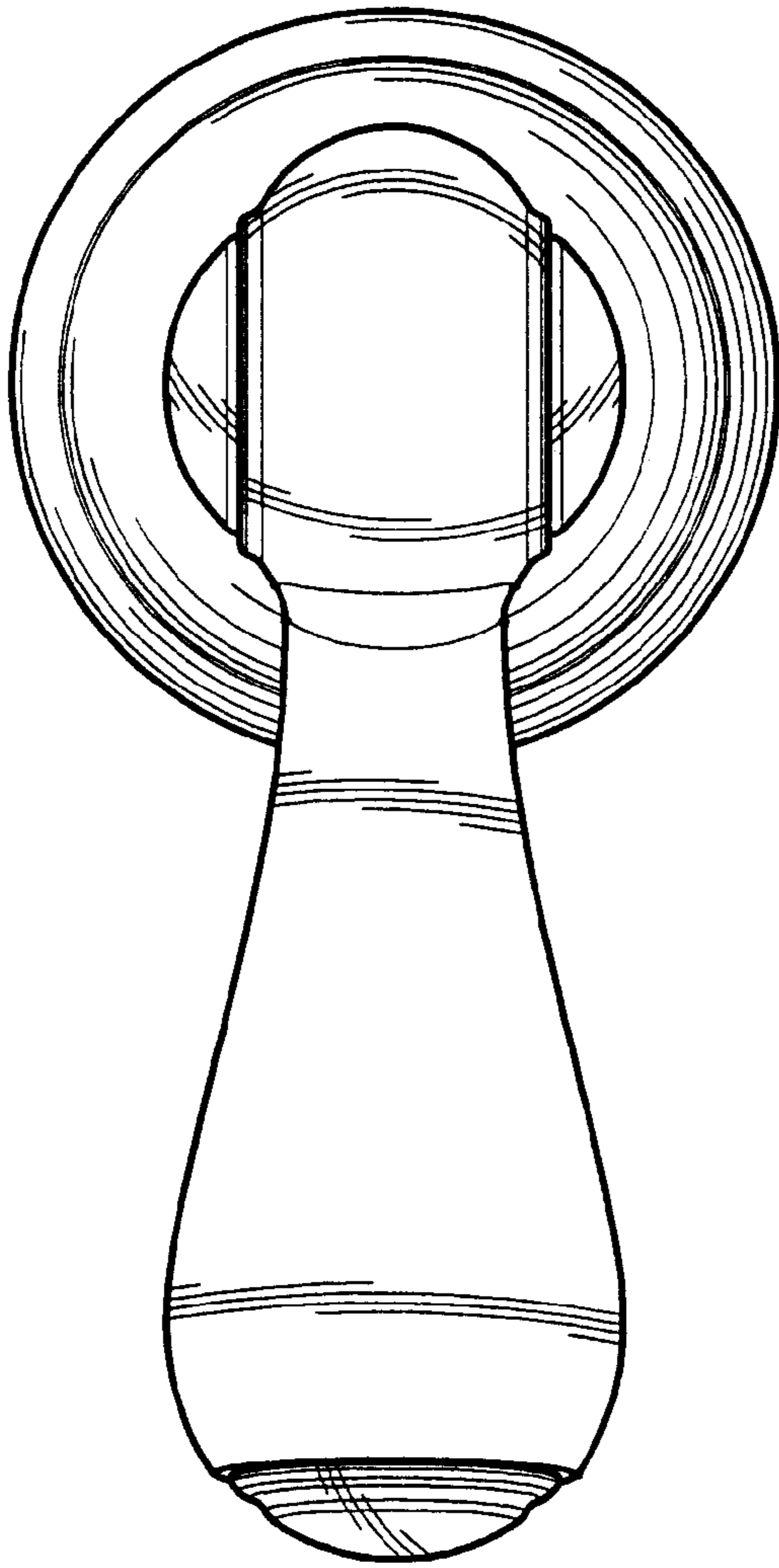


Figure - 8

Figure - 7

