



US00D467309S

(12) **United States Design Patent**
Otero et al.

(10) **Patent No.:** **US D467,309 S**

(45) **Date of Patent:** **** Dec. 17, 2002**

(54) **TWO HANDLE FAUCET**

D424,663 S * 5/2000 Mark et al. D23/238

* cited by examiner

(75) Inventors: **Federico G. Otero**, Carmel, IN (US);
Anthony G. Spangler, Greensburg, IN (US)

Primary Examiner—Ian Simmons

Assistant Examiner—Gregory Andoll

(73) Assignee: **Masco Corporation of Indiana**,
Indianapolis, IN (US)

(74) *Attorney, Agent, or Firm*—Myron B. Kapustij; Lloyd D. Doigan

(**) Term: **14 Years**

(57) **CLAIM**

The ornamental design for a two handle faucet, as shown and described.

(21) Appl. No.: **29/151,950**

DESCRIPTION

(22) Filed: **Dec. 13, 2001**

FIG. 1 is a front perspective view of the two handle faucet showing our new design;

(51) **LOC (7) Cl.** **23-01**

FIG. 2 is a rear perspective view thereof;

(52) **U.S. Cl.** **D23/242; D23/241**

FIG. 3 is a top plan view thereof;

(58) **Field of Search** D23/223, 238–243,
D23/250–257; 4/675–678; 137/801

FIG. 4 is a right side elevational view thereof;

FIG. 5 is a front elevational view thereof;

FIG. 6 is a rear elevational view thereof;

FIG. 7 is a left side elevational view thereof; and,

FIG. 8 is a bottom plan view thereof.

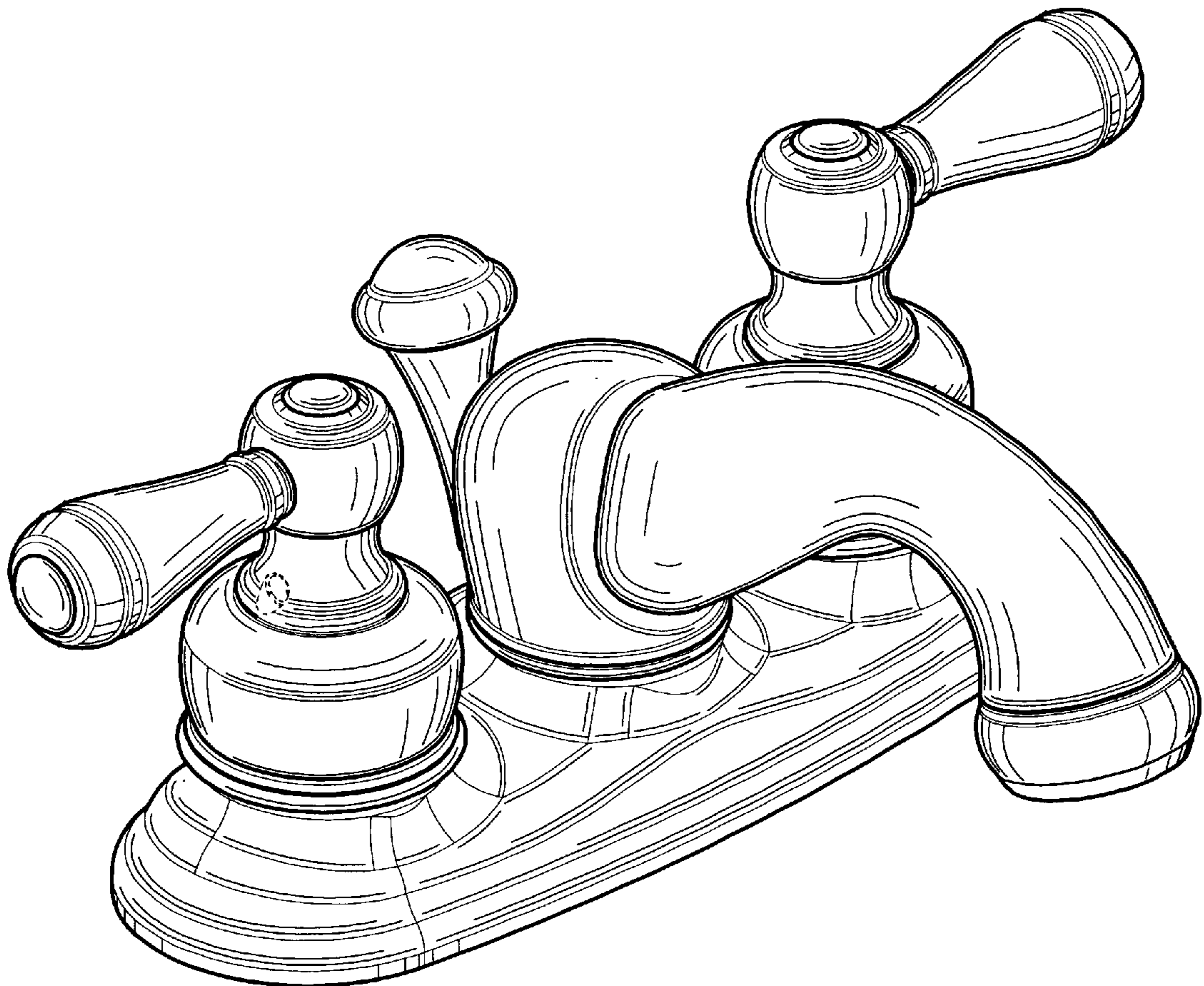
(56) **References Cited**

U.S. PATENT DOCUMENTS

D293,362 S	*	12/1987	Hill et al.	D23/241
D318,717 S	*	7/1991	Spangler	D23/252
D321,750 S	*	11/1991	Spangler	D23/241
D377,516 S	*	1/1997	Doughty et al.	D23/241
D384,133 S	*	9/1997	Doughty et al.	D23/241

The broken line showing of the handle set screws in FIGS. 1, 2, 4, 7, and of the water inlet and outlet apertures in FIG. 8 are for purposes of illustration only and form no part of the claimed design.

1 Claim, 8 Drawing Sheets



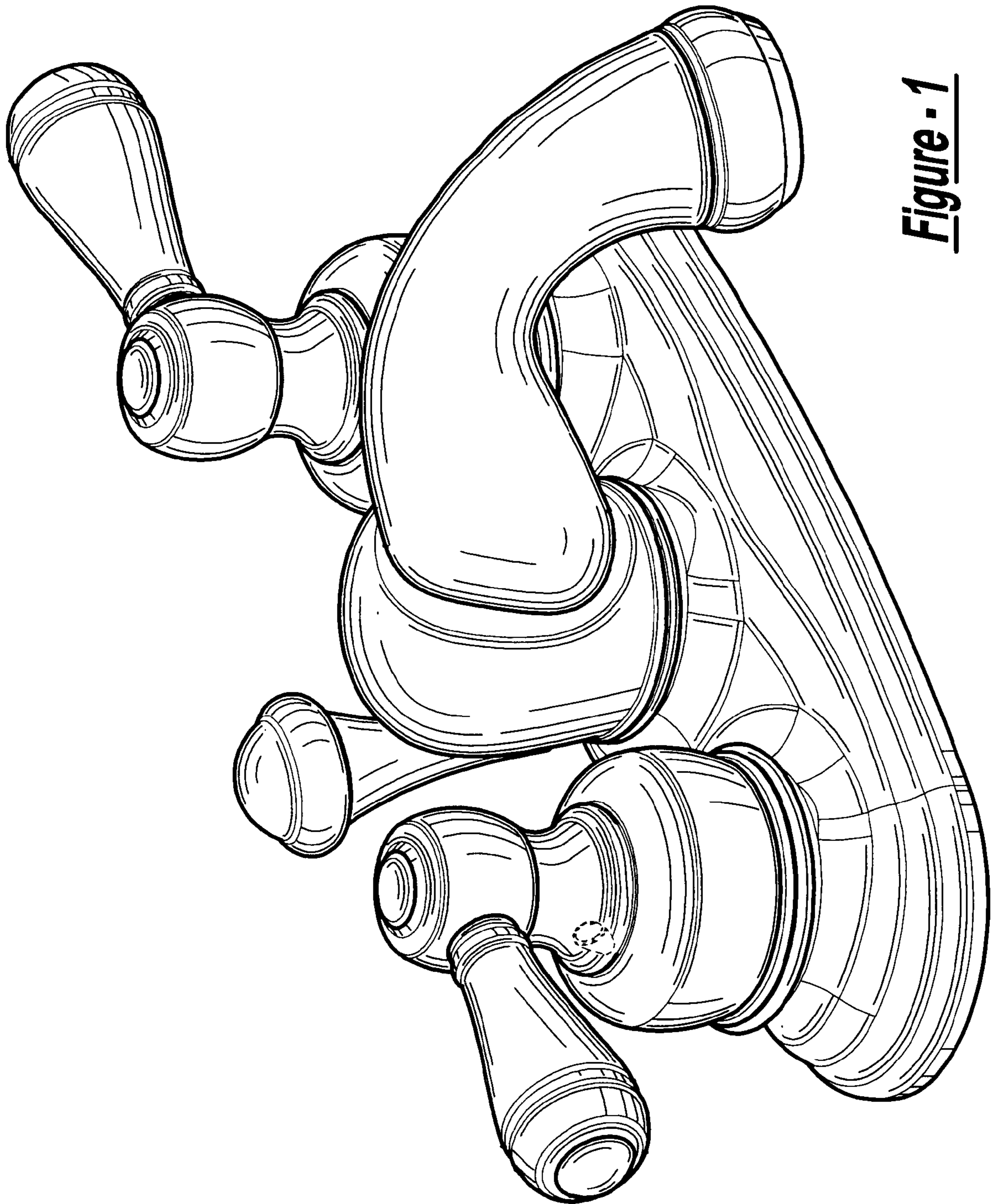


Figure - 1

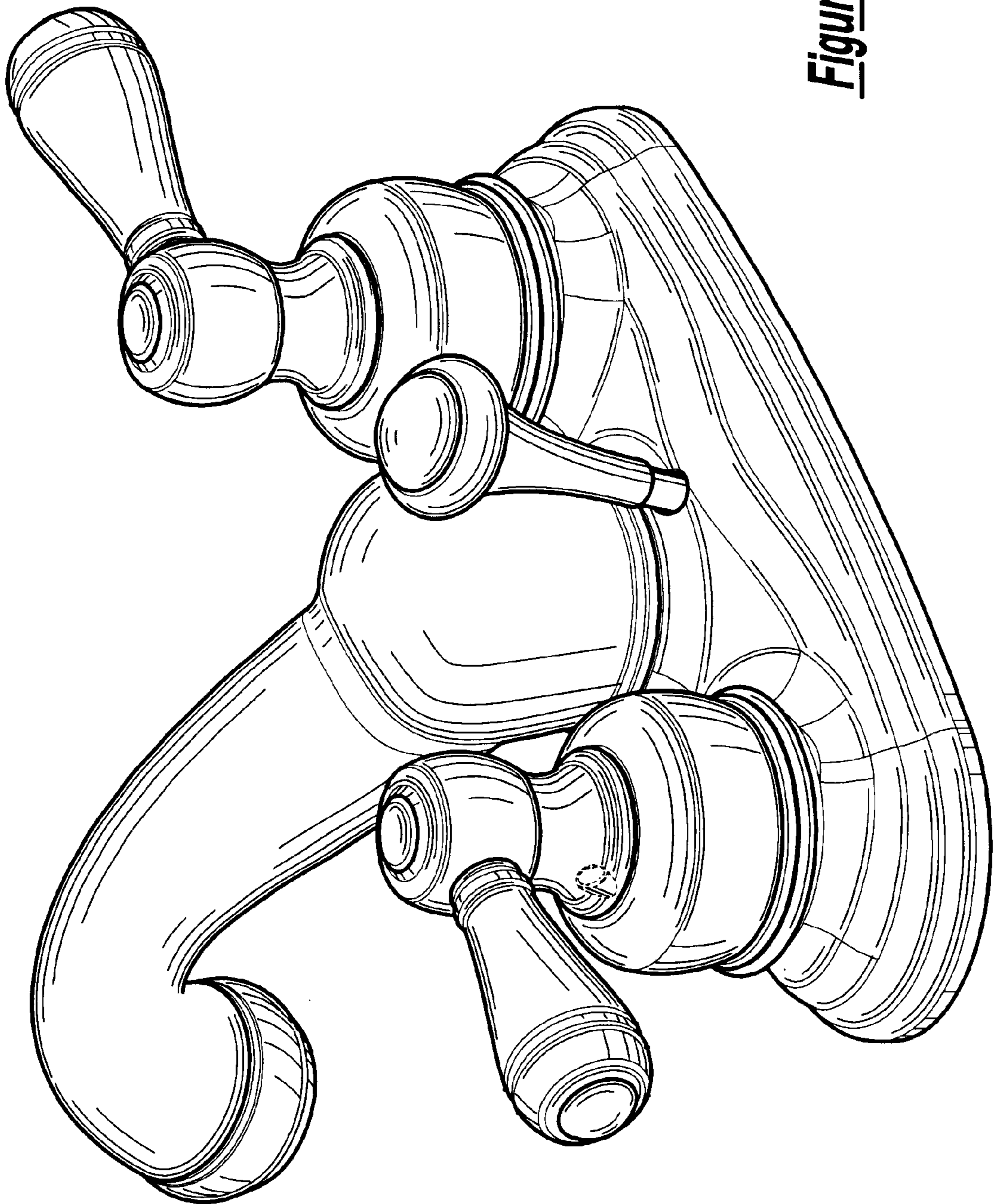


Figure - 2

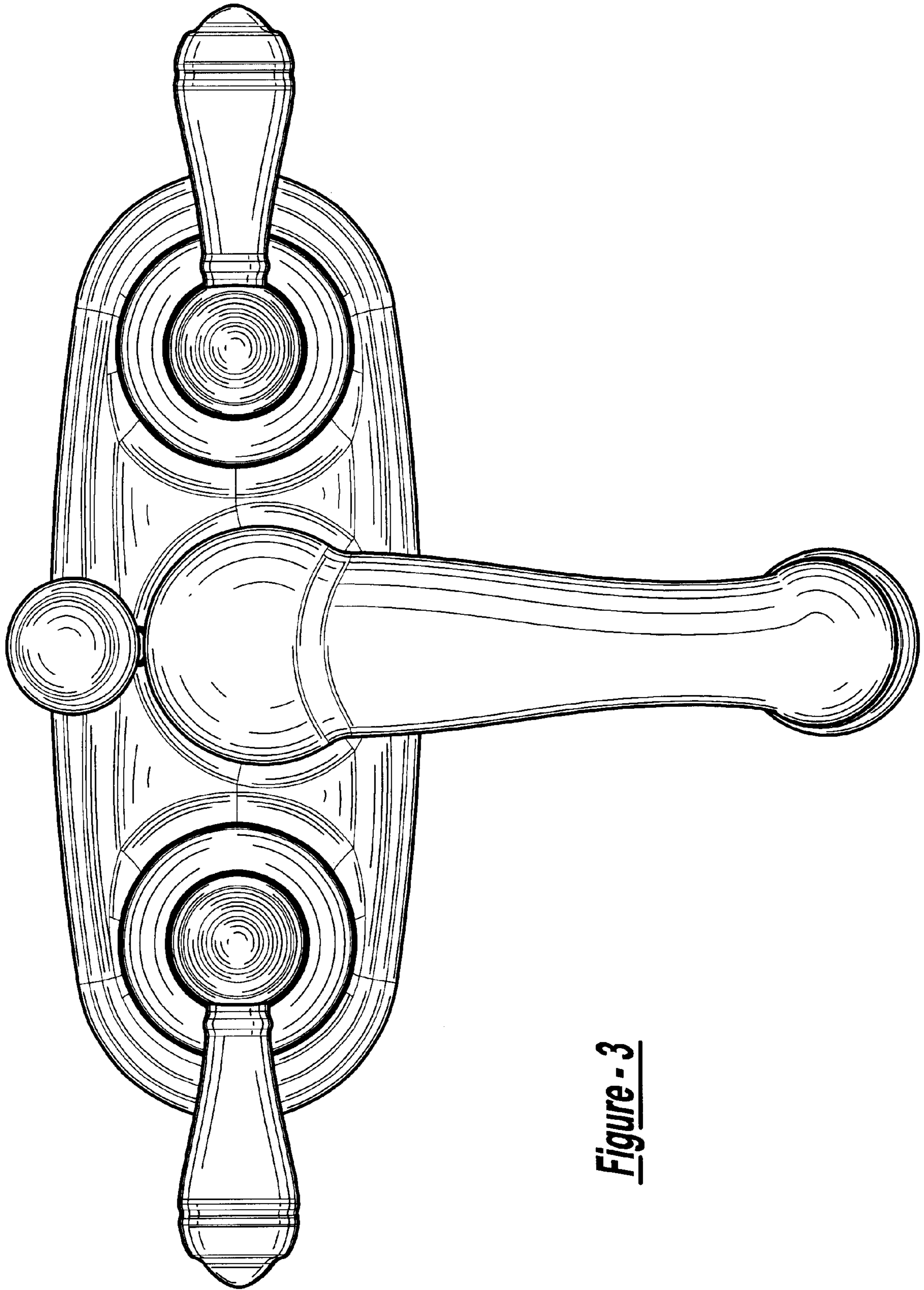


Figure - 3

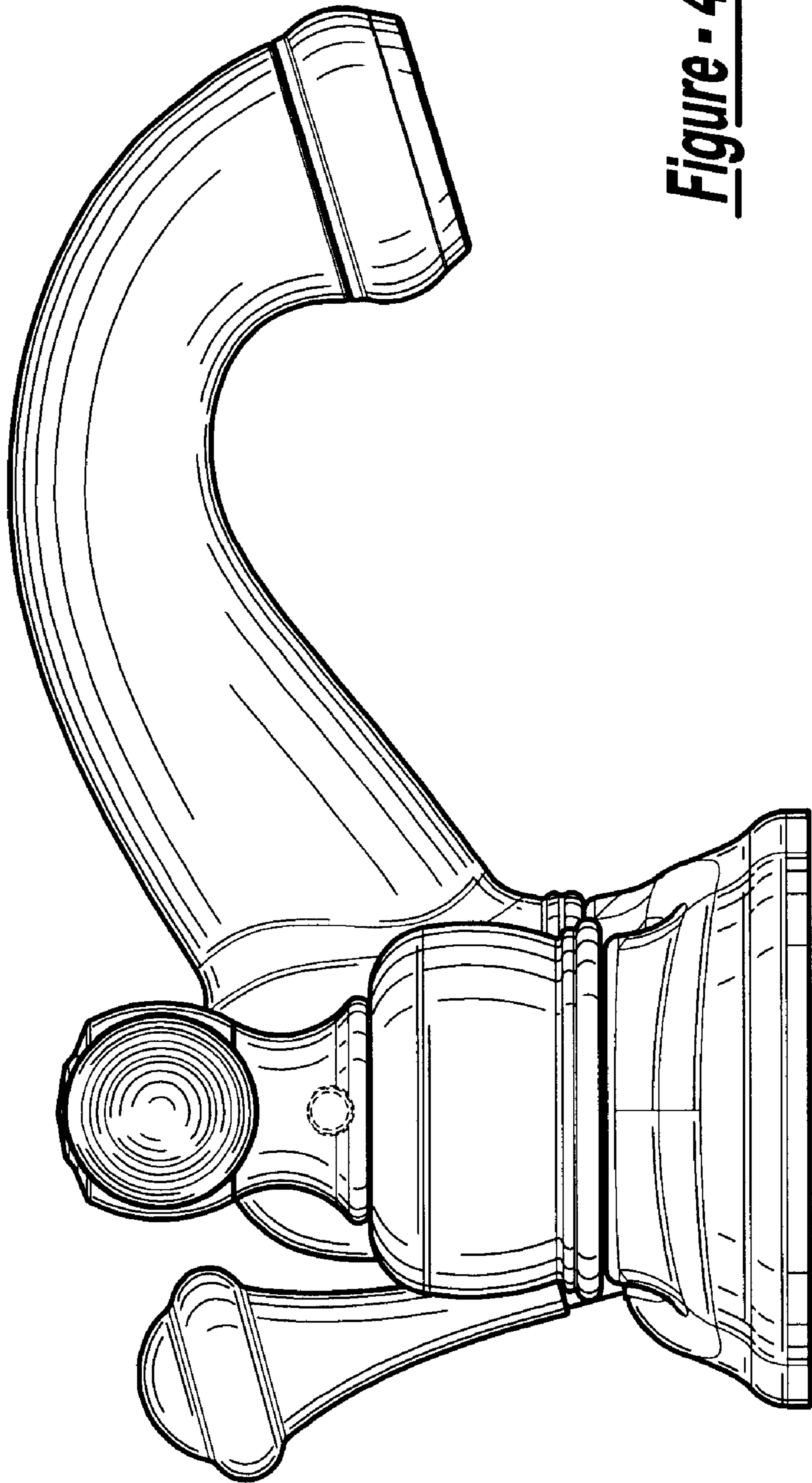


Figure - 4

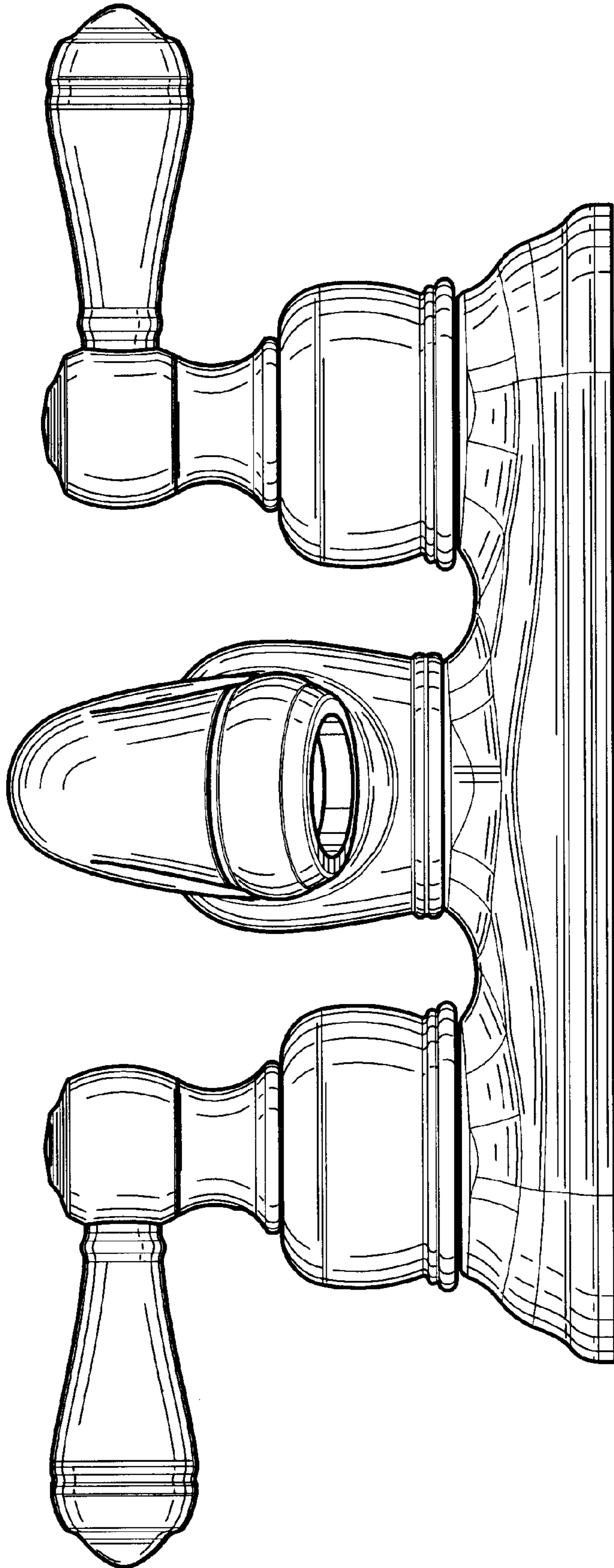


Figure - 5

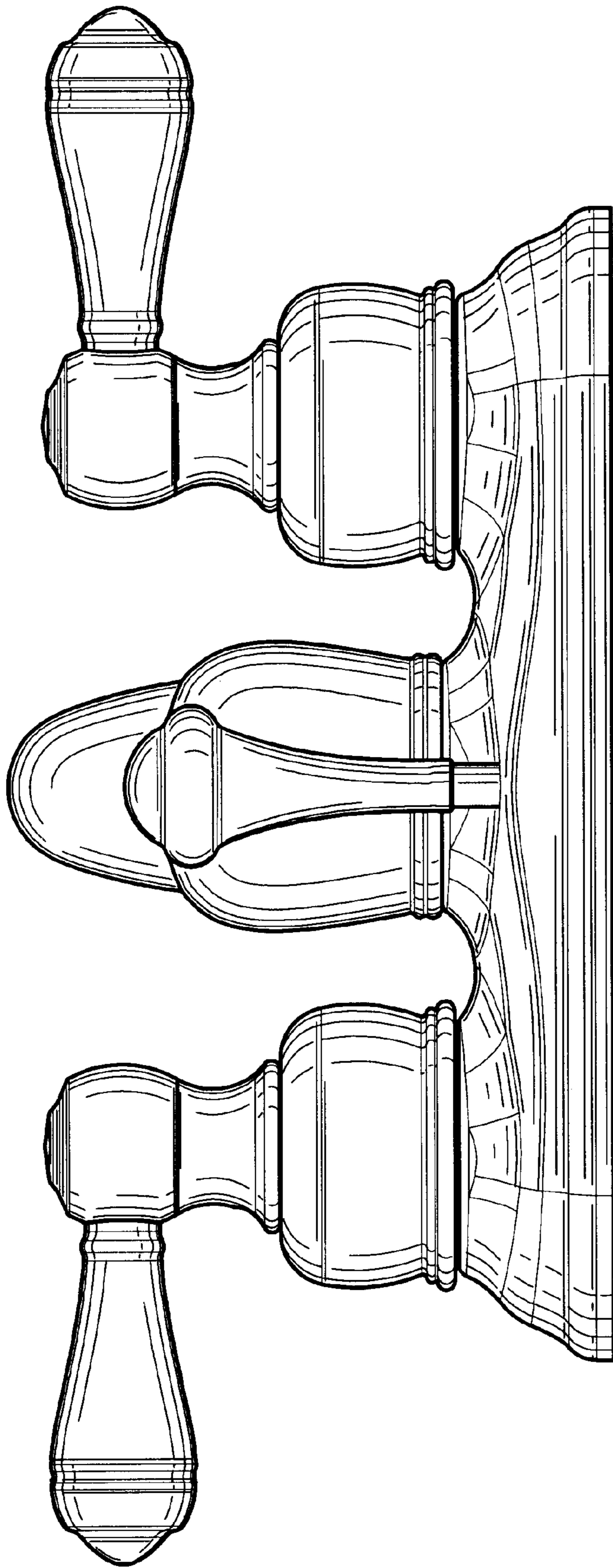


Figure - 6

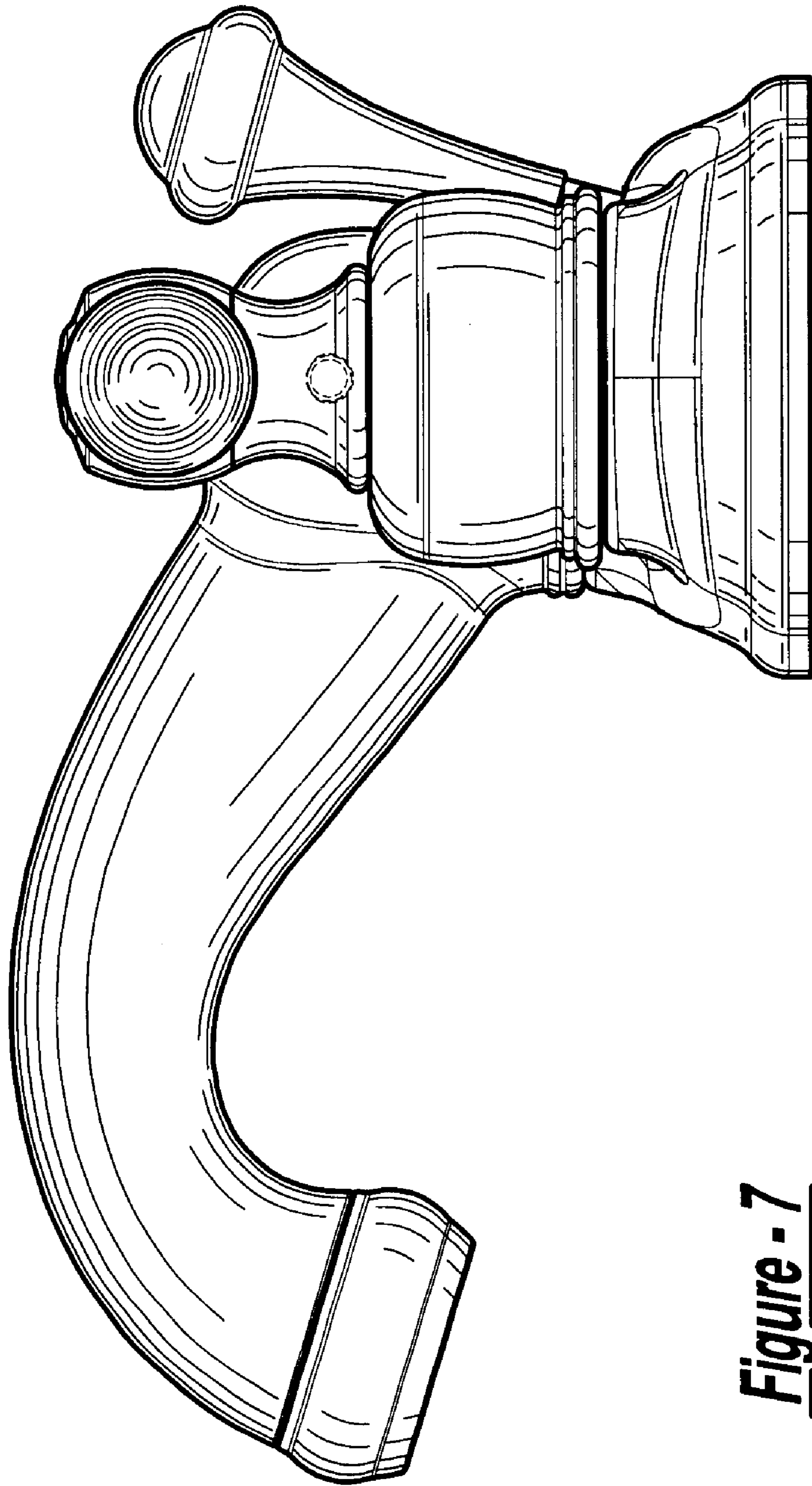


Figure - 7

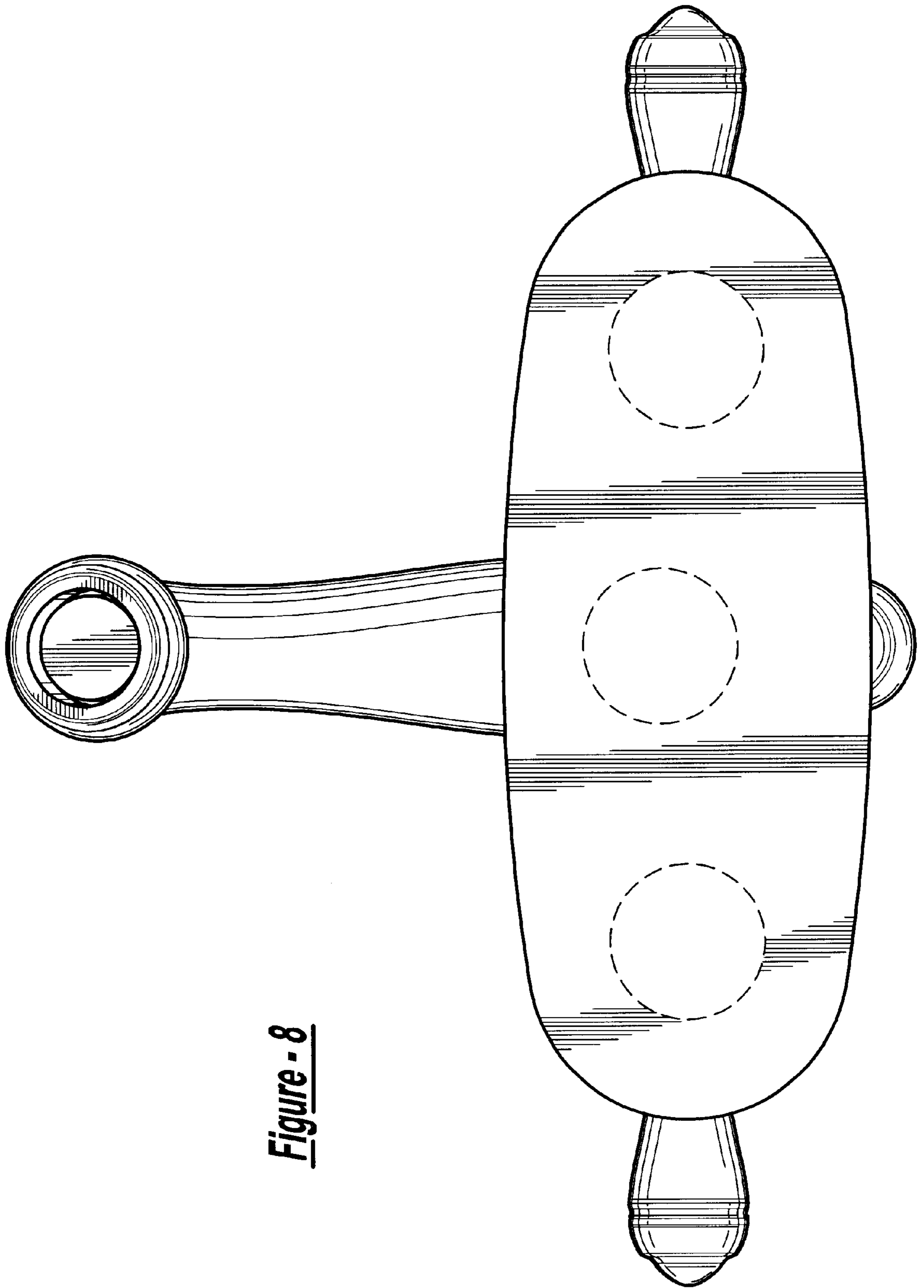


Figure - 8