



US00D467308S

(12) **United States Design Patent**  
**Otero et al.**

(10) **Patent No.:** **US D467,308 S**

(45) **Date of Patent:** **\*\* Dec. 17, 2002**

(54) **TWO HANDLE FAUCET**

(75) Inventors: **Federico G. Otero**, Carmel, IN (US);  
**Anthony G. Spangler**, Greensburg, IN (US)

(73) Assignee: **Masco Corporation of Indiana**,  
Indianapolis, IN (US)

(\*\*) Term: **14 Years**

(21) Appl. No.: **29/151,948**

(22) Filed: **Dec. 13, 2001**

(51) **LOC (7) Cl.** ..... **23-01**

(52) **U.S. Cl.** ..... **D23/242; D23/241**

(58) **Field of Search** ..... **D23/223, 238-243,**  
**D23/250-257; 4/675-678; 137/801**

(56) **References Cited**

**U.S. PATENT DOCUMENTS**

D293,362 S	*	12/1987	Hill et al.	.....	D23/241
D318,717 S	*	7/1991	Spangler	.....	D23/252
D321,750 S	*	11/1991	Spangler	.....	D23/241
D377,516 S	*	1/1997	Doughty et al.	.....	D23/241
D384,133 S	*	9/1997	Doughty et al.	.....	D23/241
D424,663 S	*	5/2000	Mark et al.	.....	D23/238

\* cited by examiner

*Primary Examiner*—Ian Simmons

*Assistant Examiner*—Gregory A Andoll

(74) *Attorney, Agent, or Firm*—Myron B. Kapustij; Lloyd D. Doigan

(57) **CLAIM**

The ornamental design for a two handle faucet, as shown and described.

**DESCRIPTION**

FIG. 1 is a front perspective view of the two handle faucet showing our new design;

FIG. 2 is a rear perspective view thereof;

FIG. 3 is a right side elevational view thereof;

FIG. 4 is a top plan view thereof;

FIG. 5 is a front elevational view thereof;

FIG. 6 is a rear elevational view thereof;

FIG. 7 is a left side elevational view thereof; and,

FIG. 8 is a bottom plan view thereof.

The broken line showing of the handle set screws in FIGS. 1-3 and 7, and of the water inlet and outlet apertures in FIG. 8 are for purposes of illustration only and form no part of the claimed design.

**1 Claim, 8 Drawing Sheets**

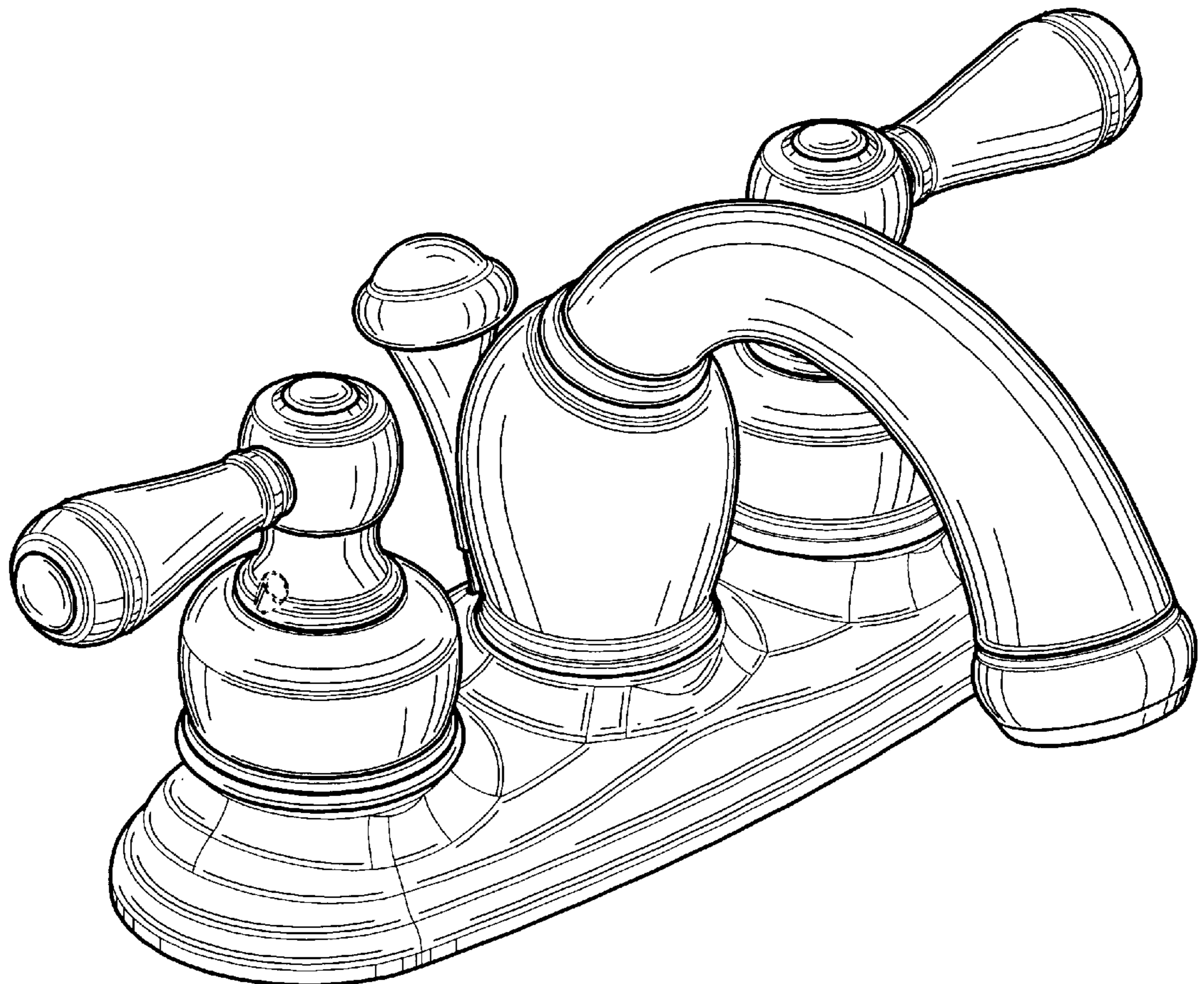
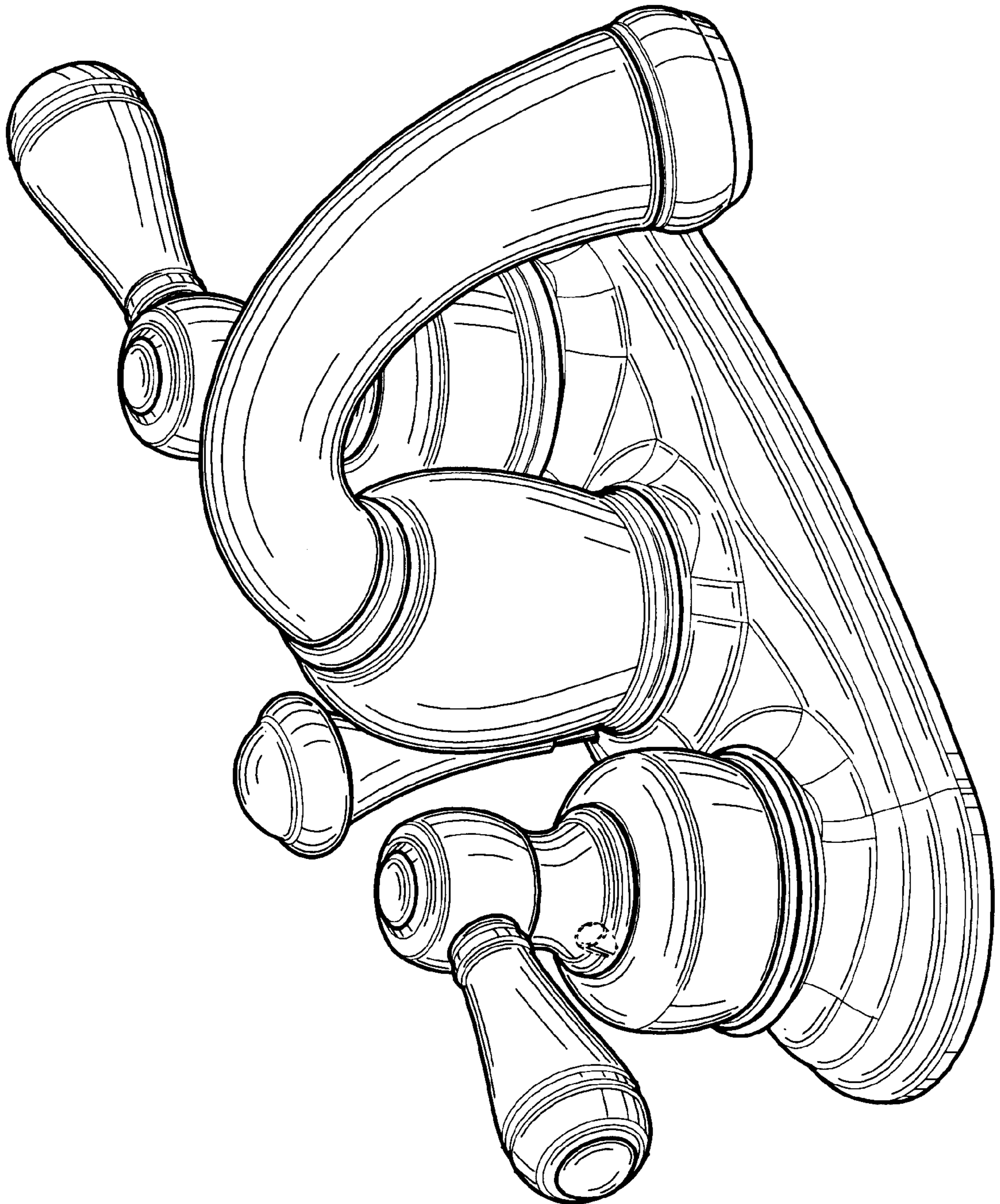
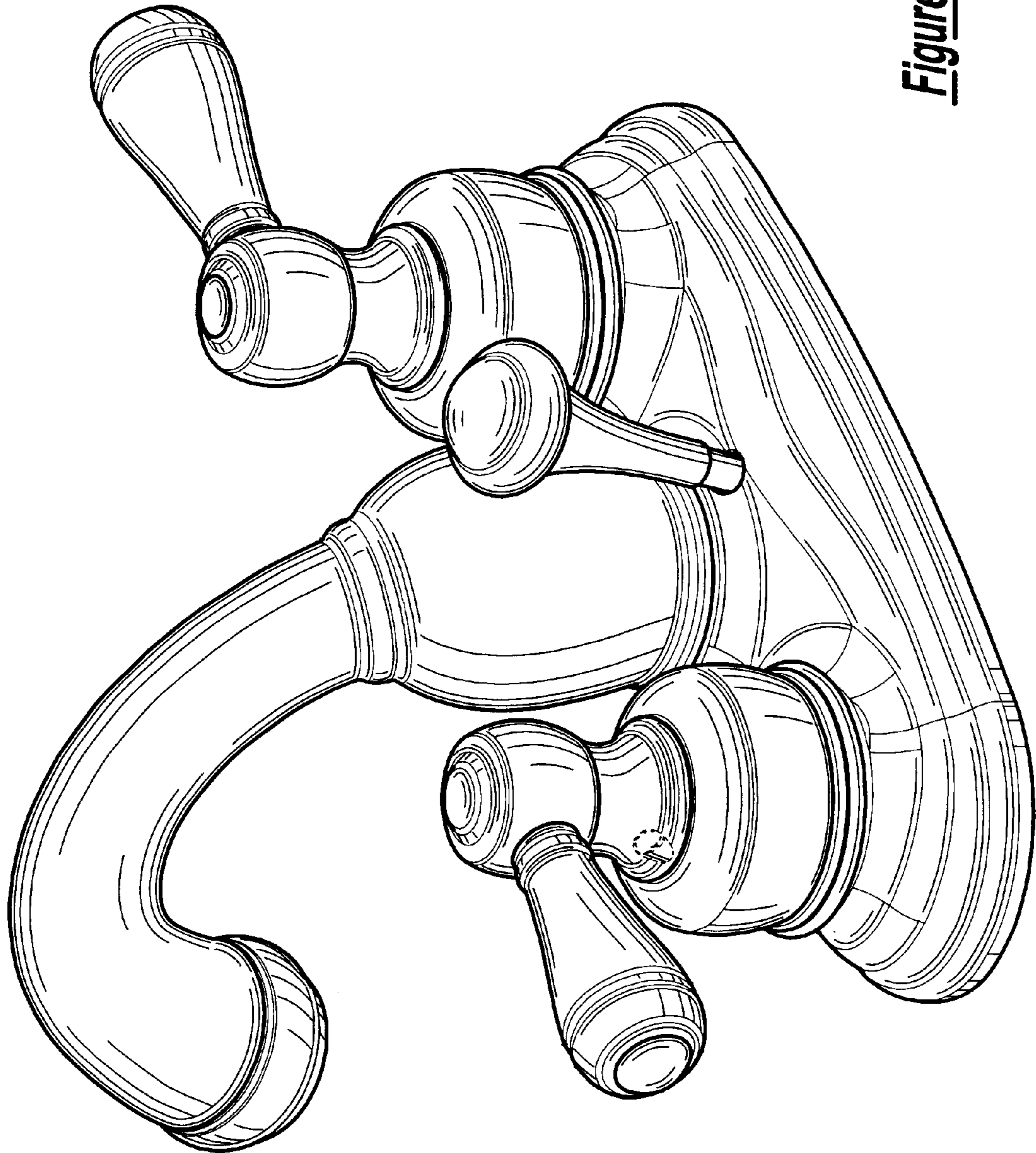


Figure - 1





**Figure - 2**

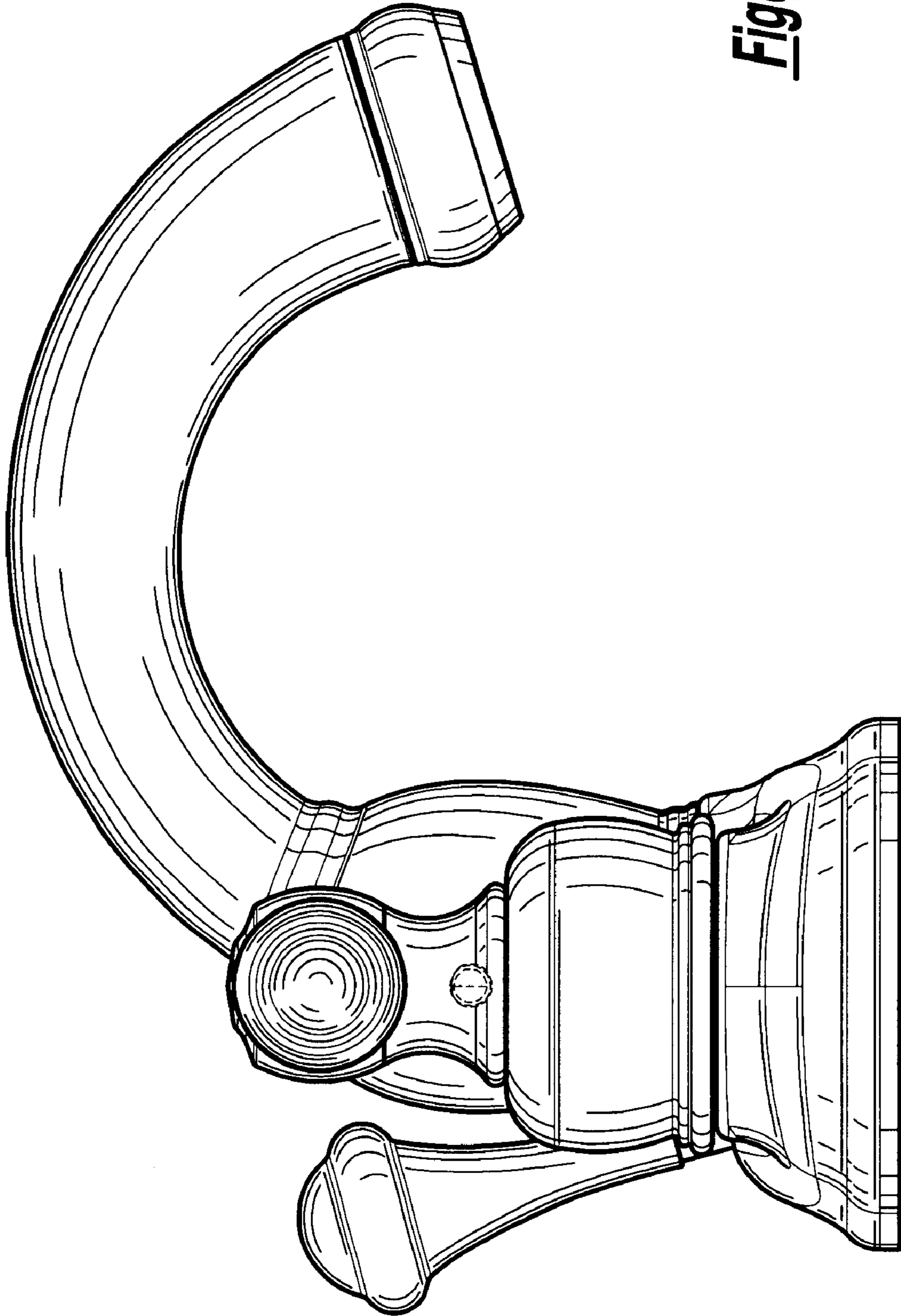


Figure - 3

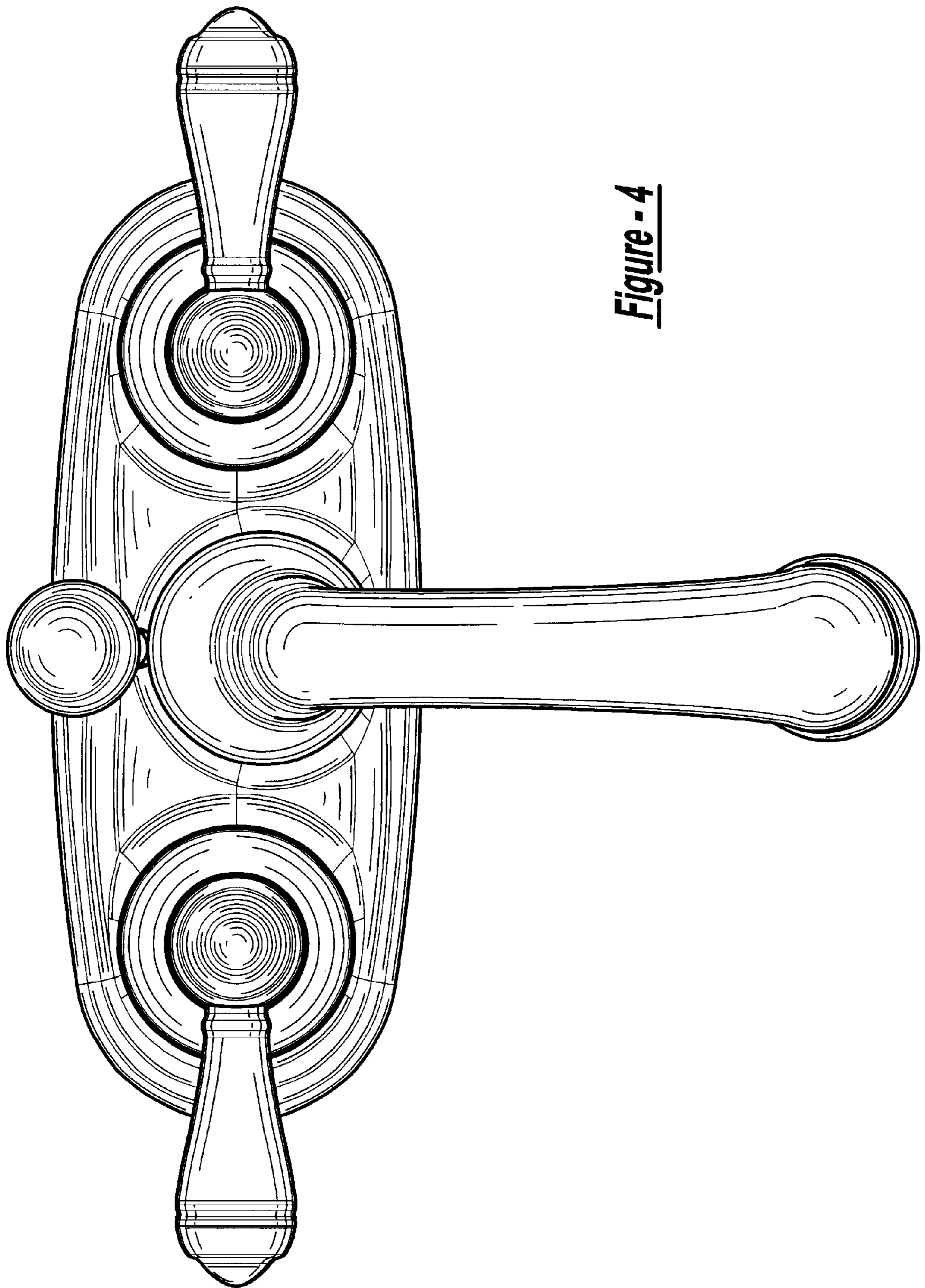


Figure - 4

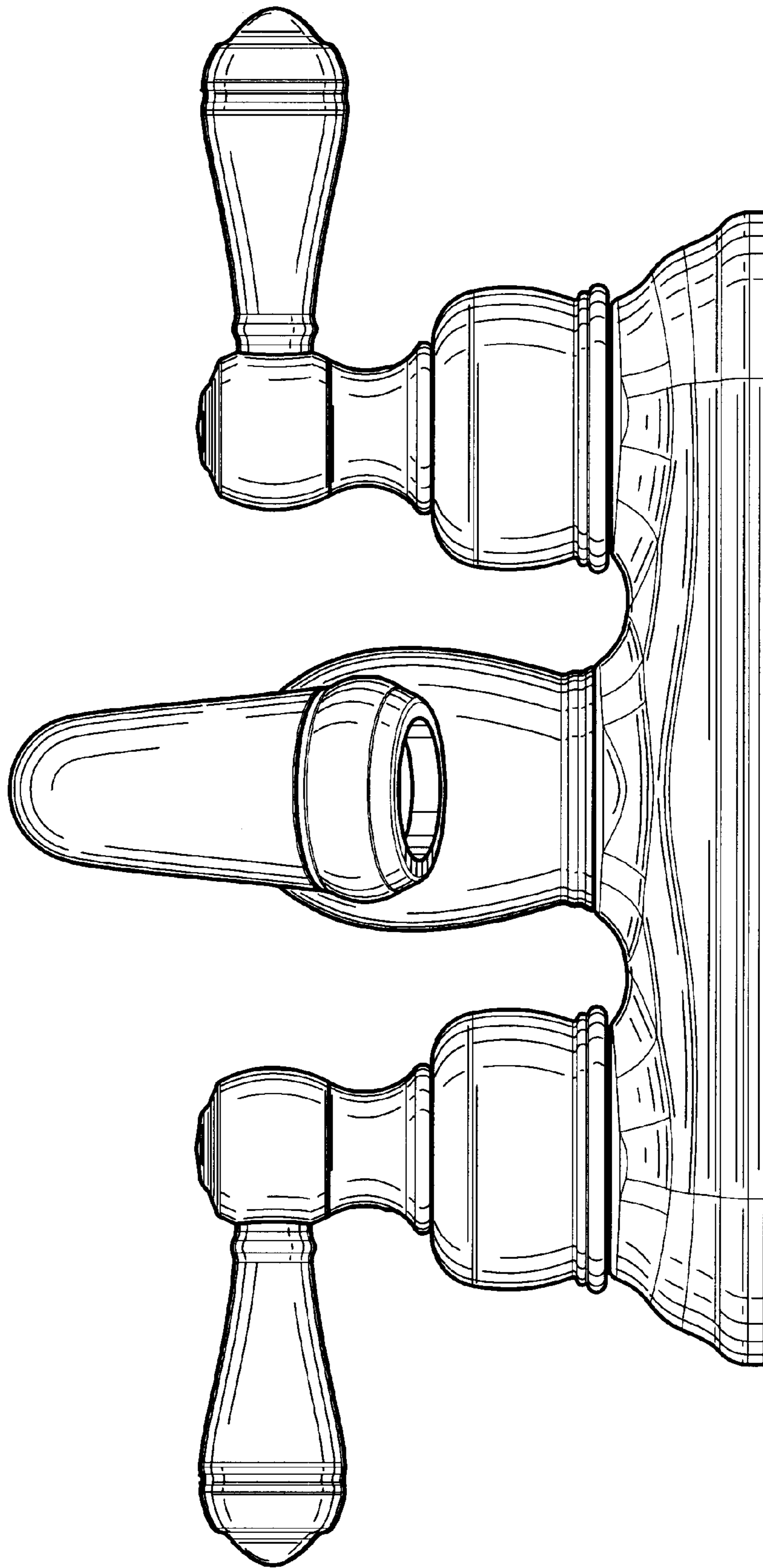
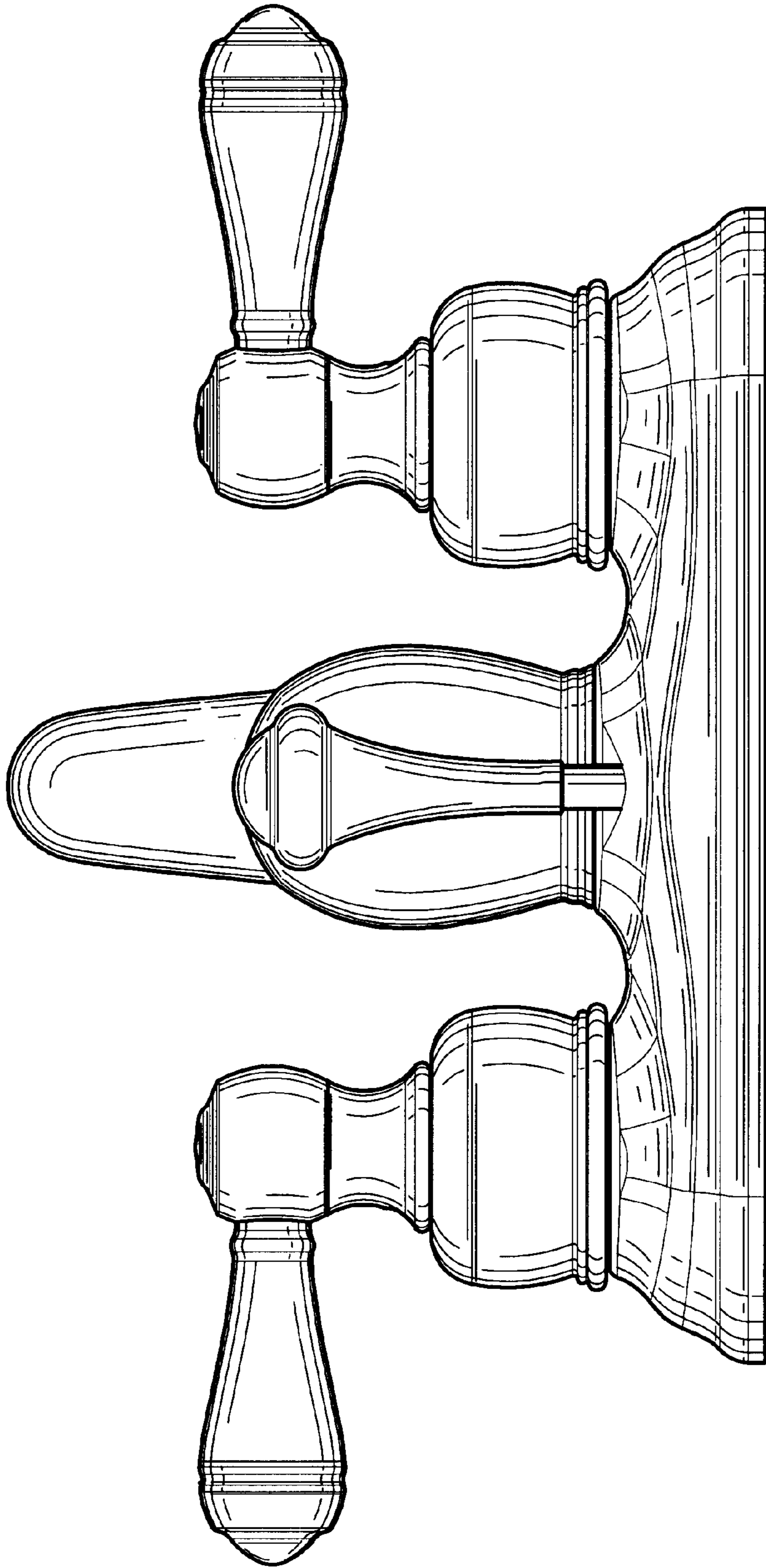
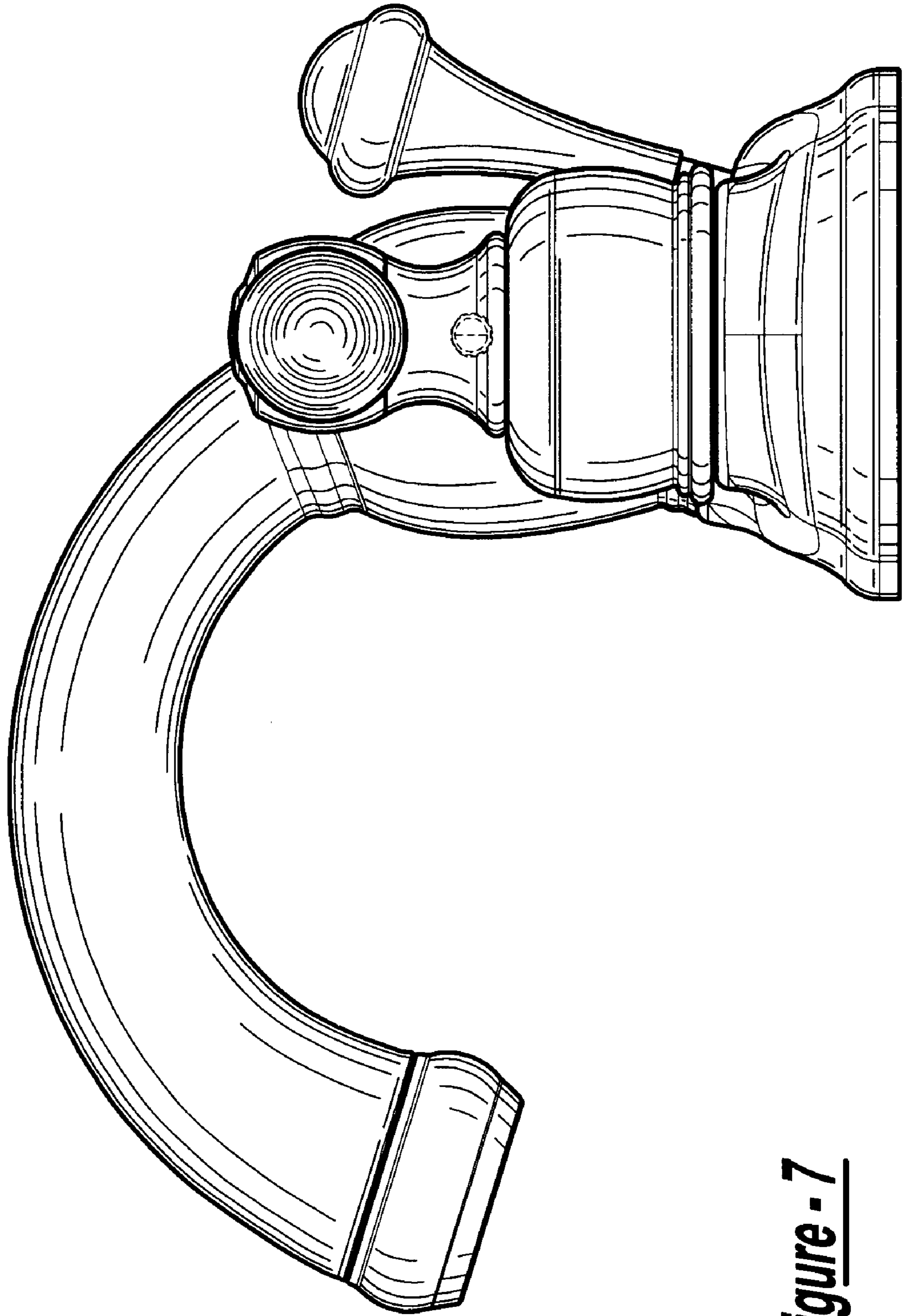


Figure - 5



***Figure - 6***



**Figure - 7**



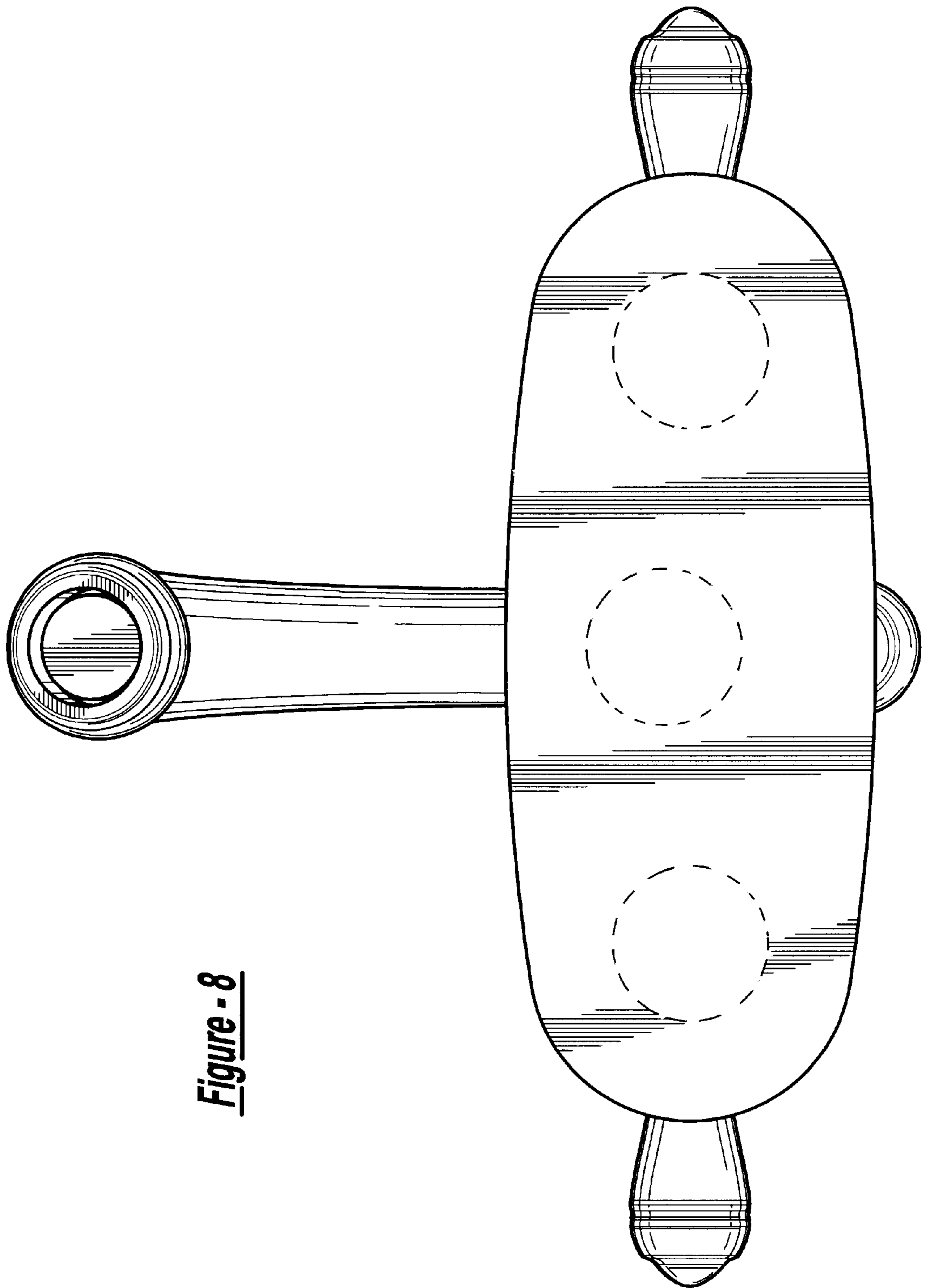


Figure - 8