



US00D467307S

(12) **United States Design Patent**
Sieger

(10) **Patent No.:** **US D467,307 S**

(45) **Date of Patent:** **** Dec. 17, 2002**

(54) **FAUCET**

(75) **Inventor:** **Dieter Sieger, Sassenberg (DE)**

(73) **Assignee:** **Aloys F. Dornbracht GmbH & Co. KG, Iserlohn (DE)**

(**) **Term:** **14 Years**

(21) **Appl. No.:** **29/148,559**

(22) **Filed:** **Sep. 21, 2001**

(30) **Foreign Application Priority Data**

Mar. 26, 2001 (XH) DM/055 700

(51) **LOC (7) Cl.** **23-01**

(52) **U.S. Cl.** **D23/242; D23/241**

(58) **Field of Search** **D23/238-243, D23/250-257; D8/300-310; 4/675-678; 137/801**

(56) **References Cited**

U.S. PATENT DOCUMENTS

D318,904 S * 8/1991 Hartkopf D23/252
D322,841 S * 12/1991 Kohler, Jr. et al. D23/255

D341,190 S * 11/1993 Pauls et al. D23/255
D349,330 S * 8/1994 Sauter et al. D23/255
D357,730 S * 4/1995 Saperstein D23/252
D364,215 S * 11/1995 Starck D23/242
D373,179 S * 8/1996 Sieger D23/241
D446,286 S * 8/2001 Fleischmann D23/242

* cited by examiner

Primary Examiner—Louis S. Zarfes

Assistant Examiner—Gregory Andoll

(74) *Attorney, Agent, or Firm*—Herbert Dubno

(57) **CLAIM**

The ornamental design for a faucet, as shown and described.

DESCRIPTION

FIG. 1 is a top, front, left-side perspective view of a faucet showing my new design;

FIG. 2 is a front elevational view thereof;

FIG. 3 is a rear elevational view thereof;

FIG. 4 is a top plan view thereof;

FIG. 5 is a bottom plan view thereof; and,

FIG. 6 is a left side elevational view thereof, the right side elevational view being mirror symmetrical thereto.

1 Claim, 6 Drawing Sheets

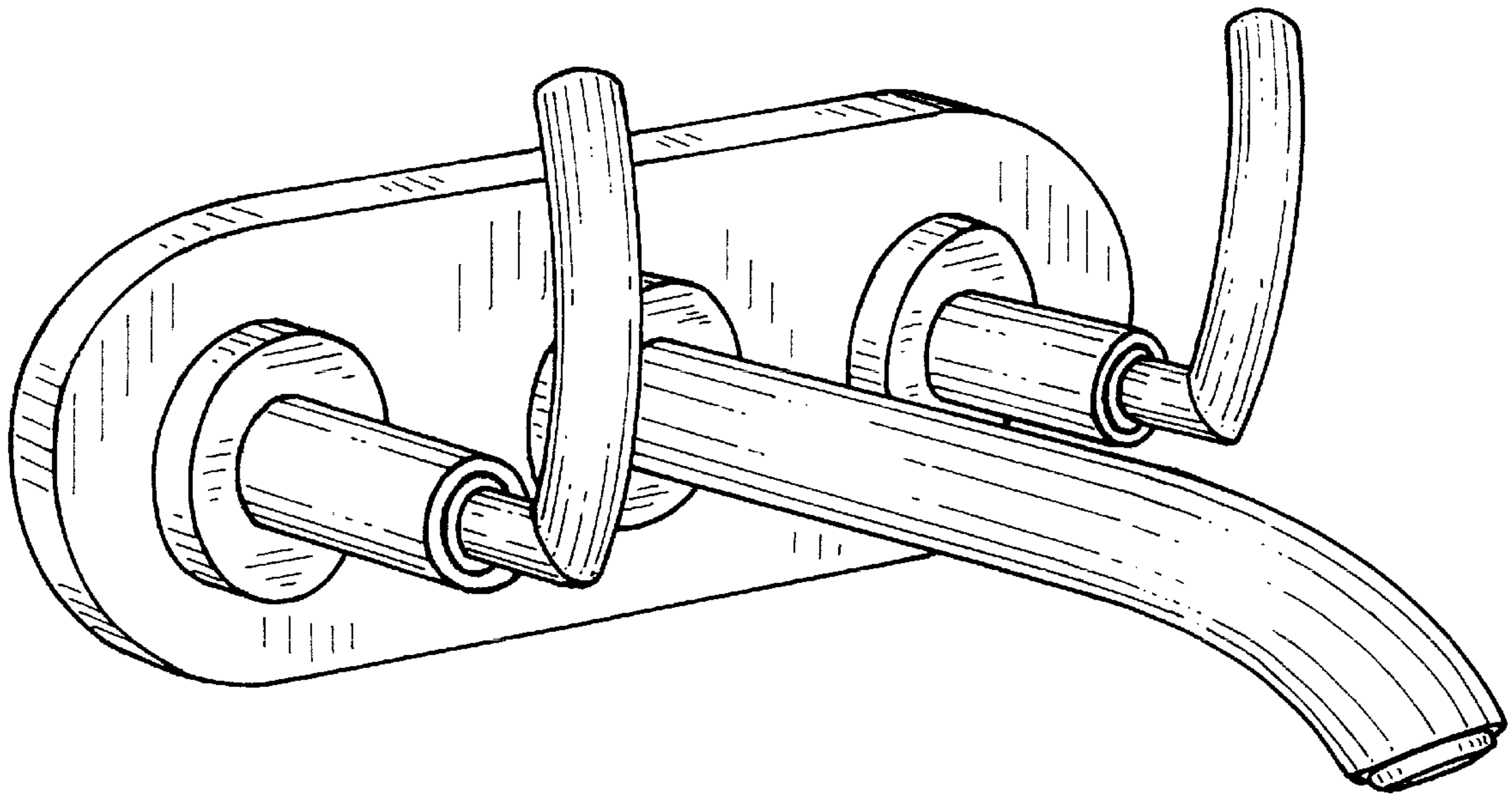


Fig.1

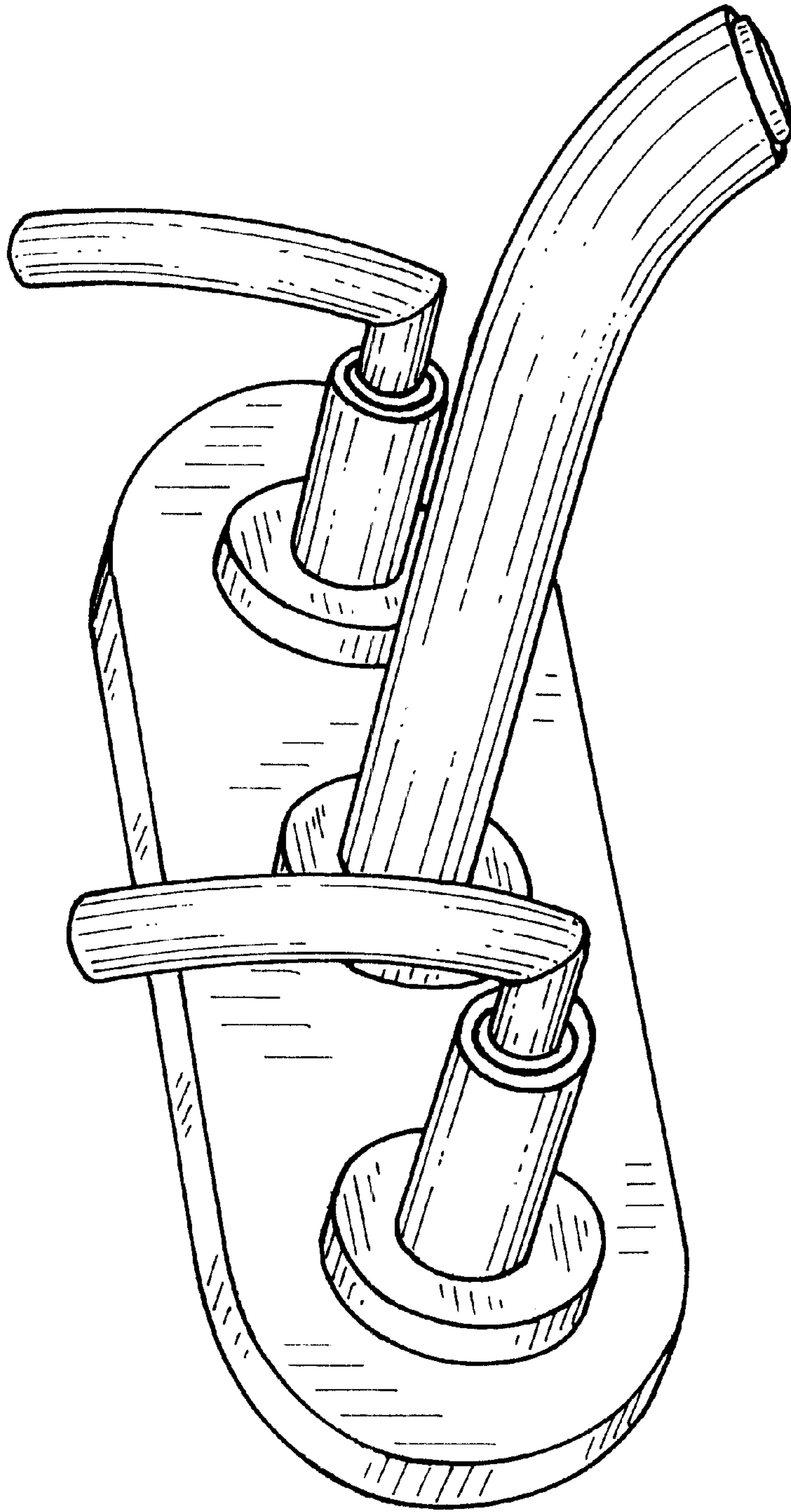


Fig. 2

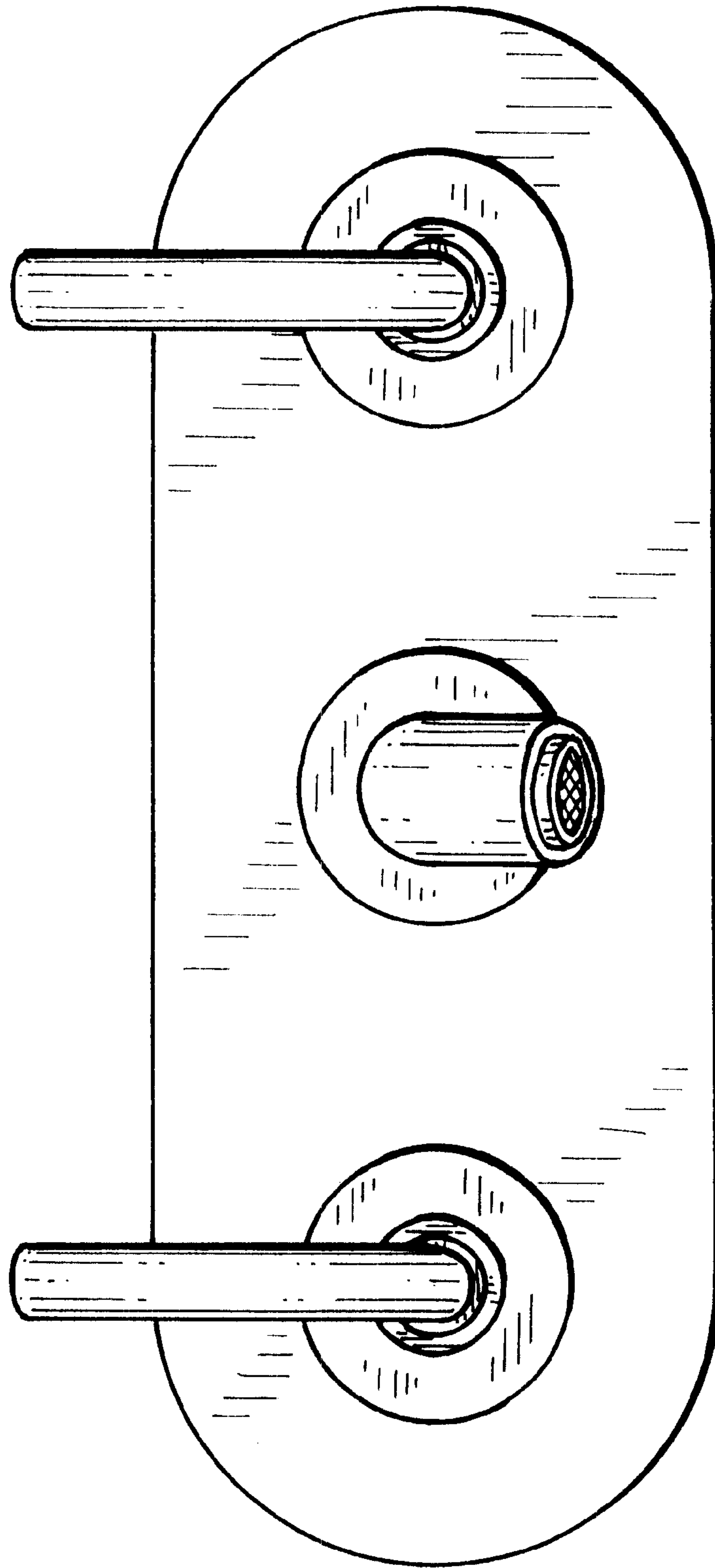


Fig. 3

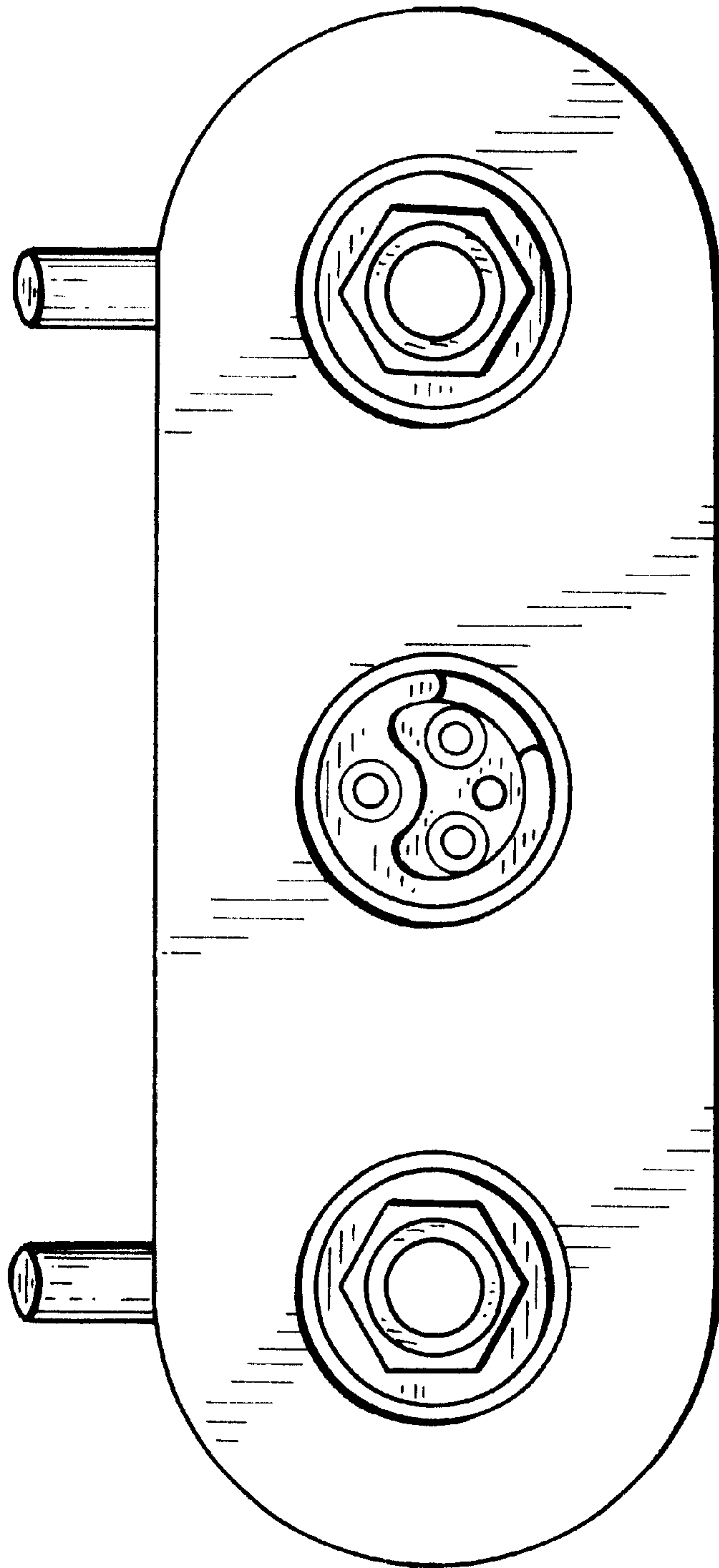


Fig.4

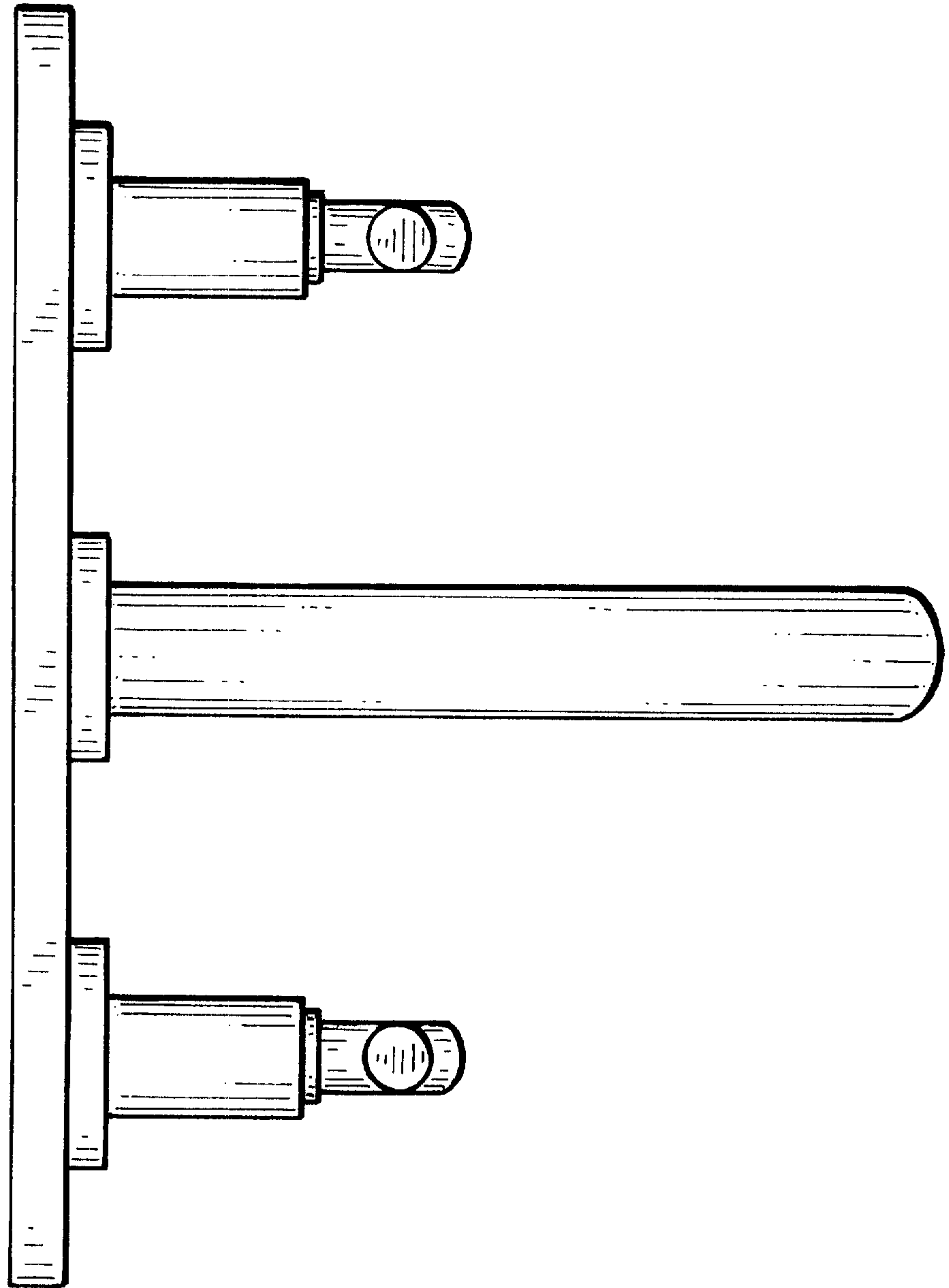


Fig. 5

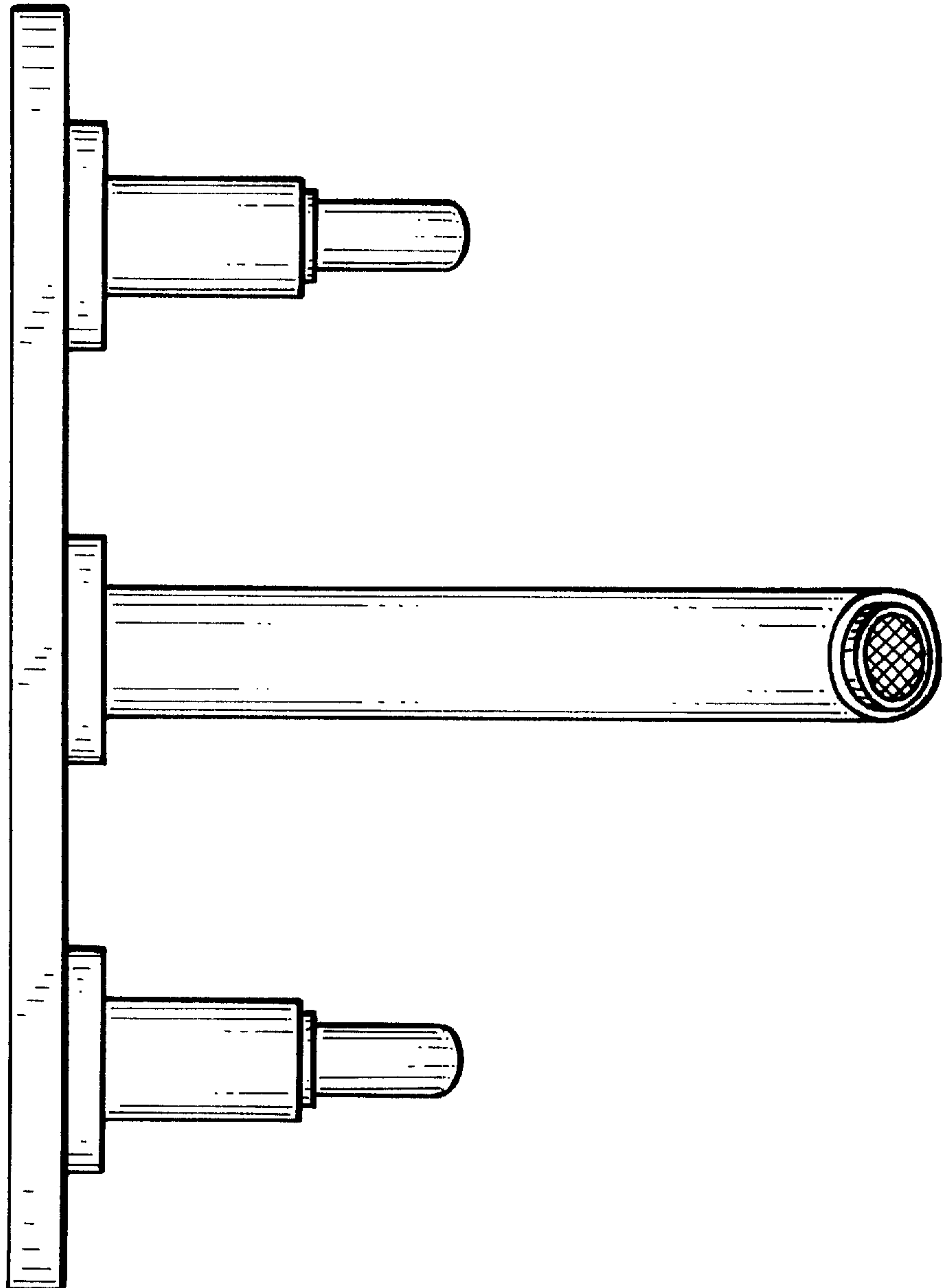


Fig. 6

