



US00D467305S

(12) **United States Design Patent**  
**Lord**

(10) **Patent No.:** **US D467,305 S**

(45) **Date of Patent:** **\*\* Dec. 17, 2002**

(54) **SOAP DISPENSER TOP**

U.S. Application Serial No. 29/151,959 filed Dec. 12, 2001.

(75) Inventor: **Judd A. Lord**, Carmel, IN (US)

\* cited by examiner

(73) Assignee: **Masco Corporation of Indiana**,  
Indianapolis, IN (US)

*Primary Examiner*—Louis S. Zarfes

*Assistant Examiner*—Gregory Andoll

(\*\*) Term: **14 Years**

(74) *Attorney, Agent, or Firm*—Myron B. Kapustij; Lloyd D. Doigan

(21) Appl. No.: **29/151,956**

(57) **CLAIM**

(22) Filed: **Dec. 12, 2001**

The ornamental design for a soap dispenser top, as shown and described.

(51) **LOC (7) Cl.** ..... **23-01**

(52) **U.S. Cl.** ..... **D23/238; D6/542**

(58) **Field of Search** ..... D6/542–545; 222/180,  
222/192, 630, 400.8, 372; D9/448; D23/238,  
231, 255

**DESCRIPTION**

(56) **References Cited**

**U.S. PATENT DOCUMENTS**

D73,185 S	*	8/1927	Levernier	.....	D6/542
D208,737 S	*	9/1967	Huling	.....	D23/231
D383,025 S	*	9/1997	Warshawsky	.....	D6/542
D396,590 S	*	8/1998	Warshawsky	.....	D6/542
D399,085 S	*	10/1998	Warshawsky	.....	D6/542
D450,506 S	*	11/2001	Hoernig	.....	D6/542
D451,735 S	*	12/2001	Hanna	.....	D6/542
D453,648 S	*	2/2002	Gottwald	.....	D6/545

FIG. 1 is a rear perspective view of the soap dispenser top showing my new design;

FIG. 2 is a front perspective view thereof;

FIG. 3 is a right side elevational view thereof;

FIG. 4 is a rear elevational view thereof;

FIG. 5 is a left side elevational view thereof;

FIG. 6 is a top plan view thereof;

FIG. 7 is a front elevational view thereof; and,

FIG. 8 is a bottom plan view thereof.

The broken line showing of the base and filial in FIG. 1 are for purposes of illustration only and form no part of the claimed design.

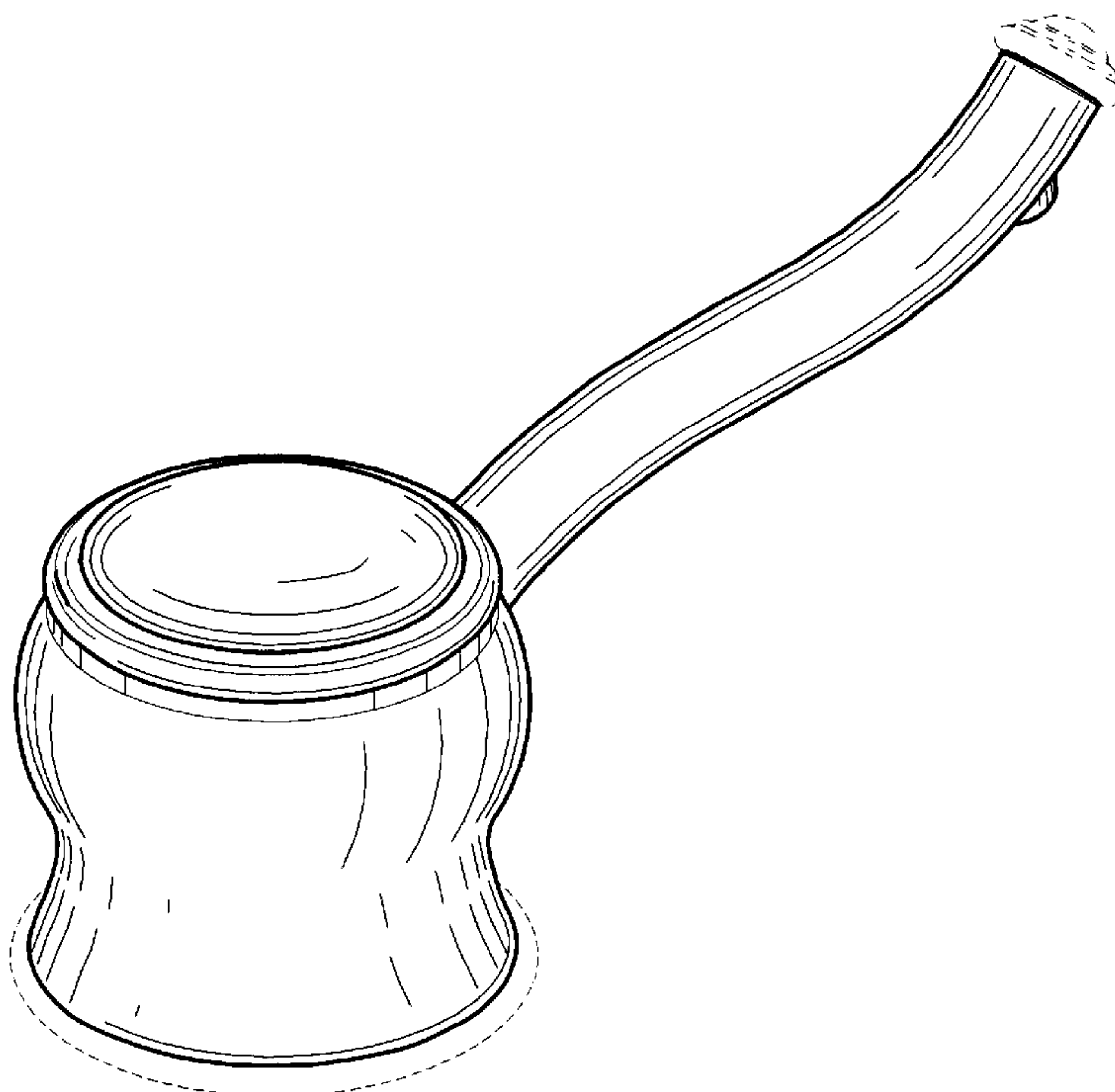
**OTHER PUBLICATIONS**

U.S. Application Serial No. 29/148,262 filed Sep. 18, 2001

U.S. Application Serial No. 29/148,260 filed Sep. 18, 2001

U.S. Application Serial No. 29/148,270 filed Sep. 18, 2001

**1 Claim, 4 Drawing Sheets**



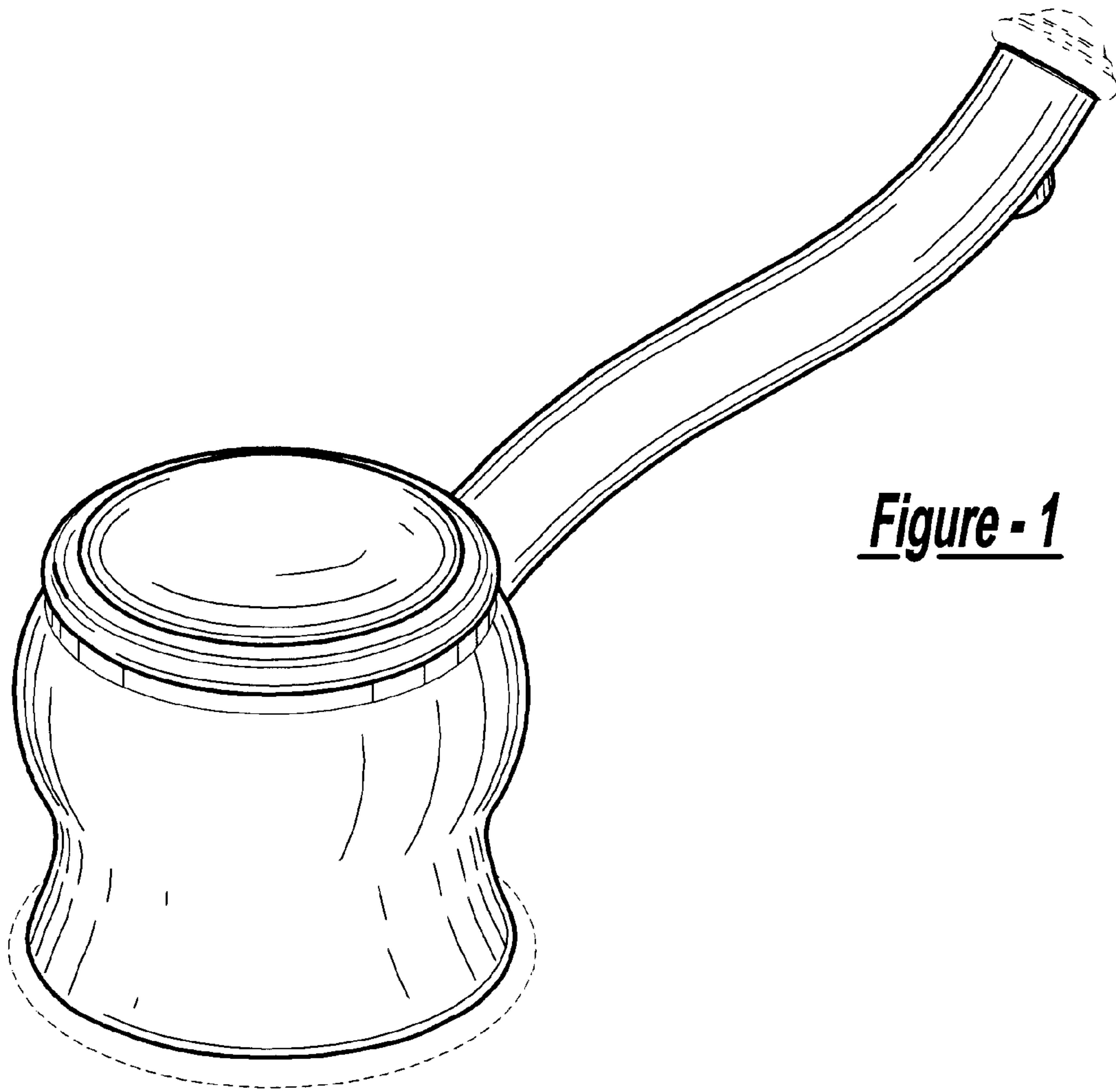


Figure - 1

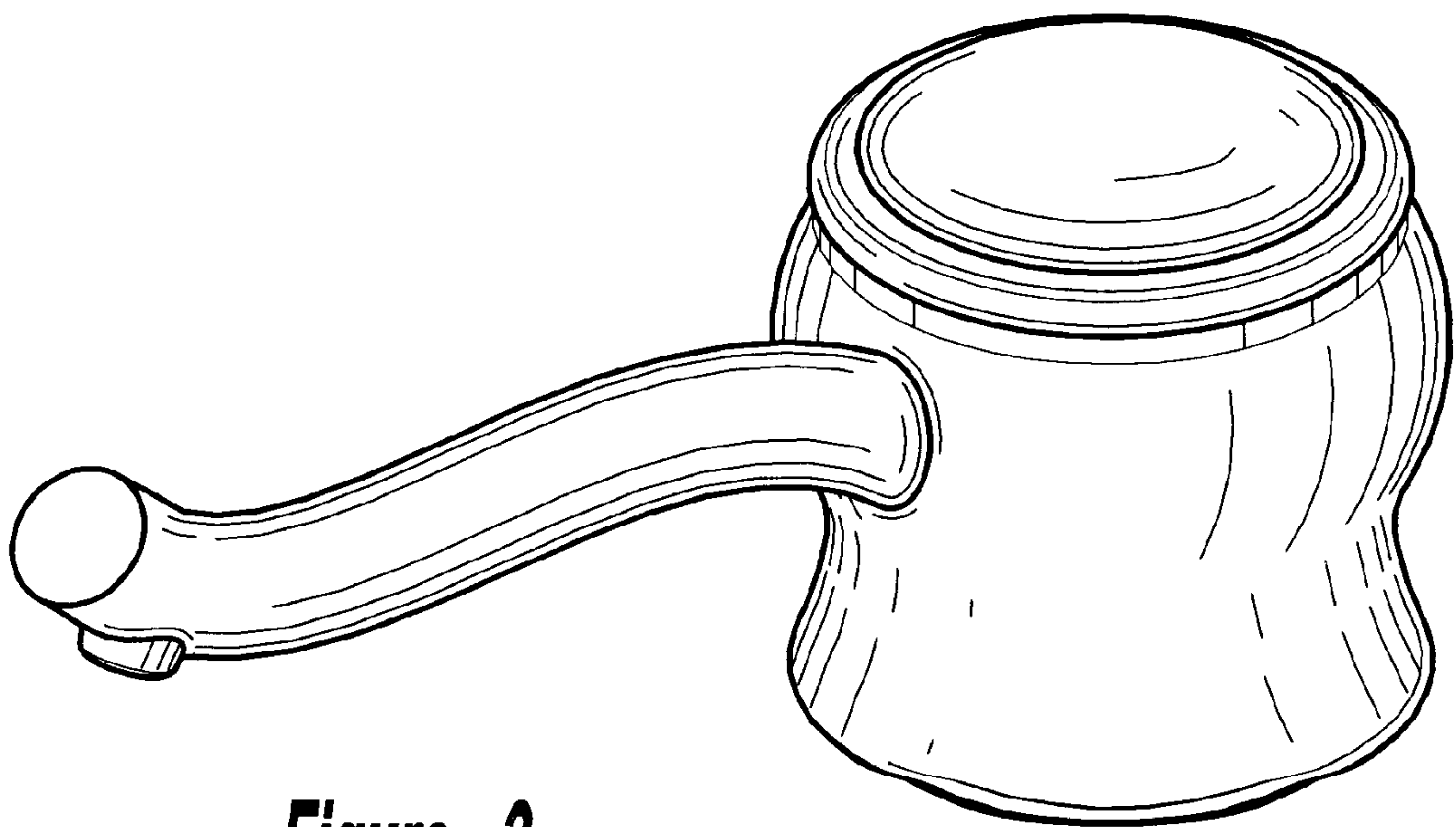


Figure - 2

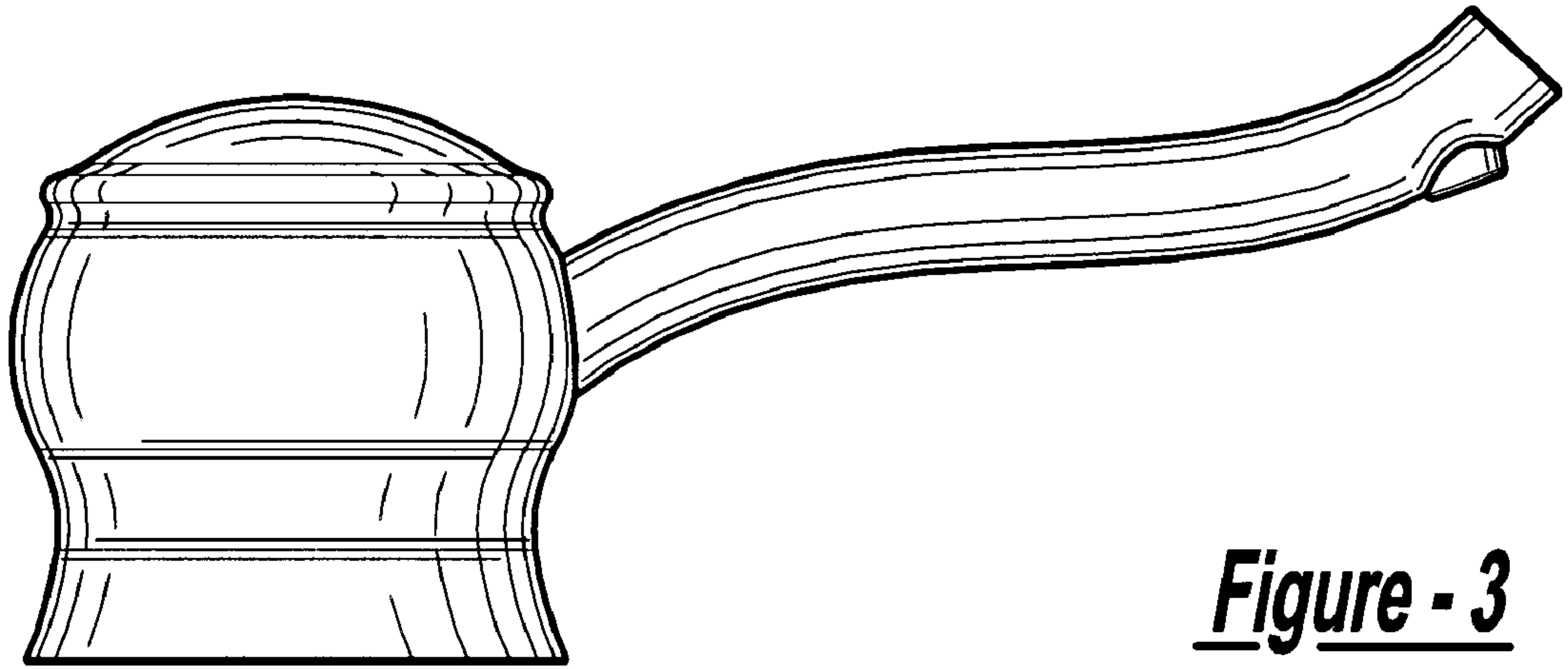


Figure - 3

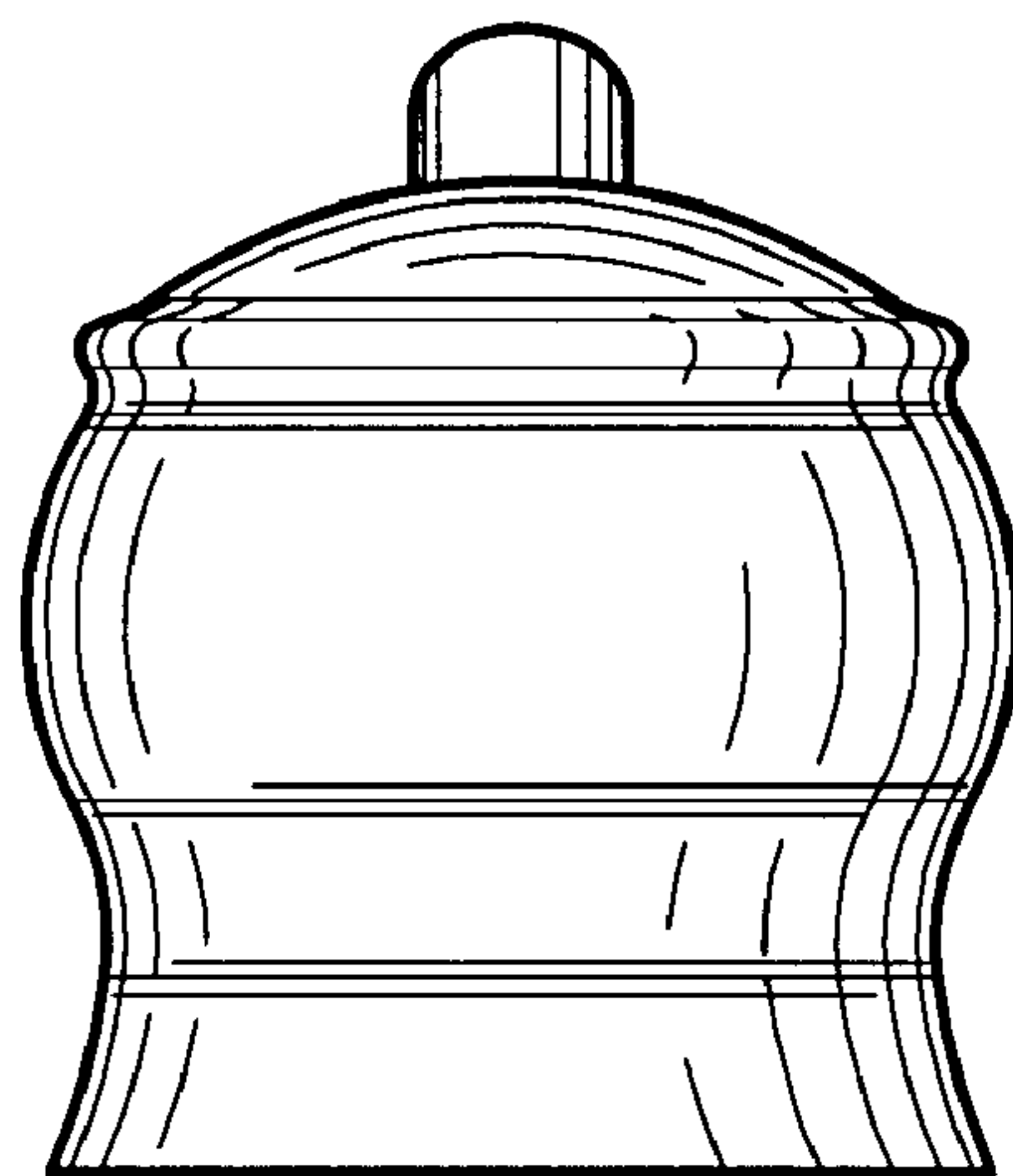
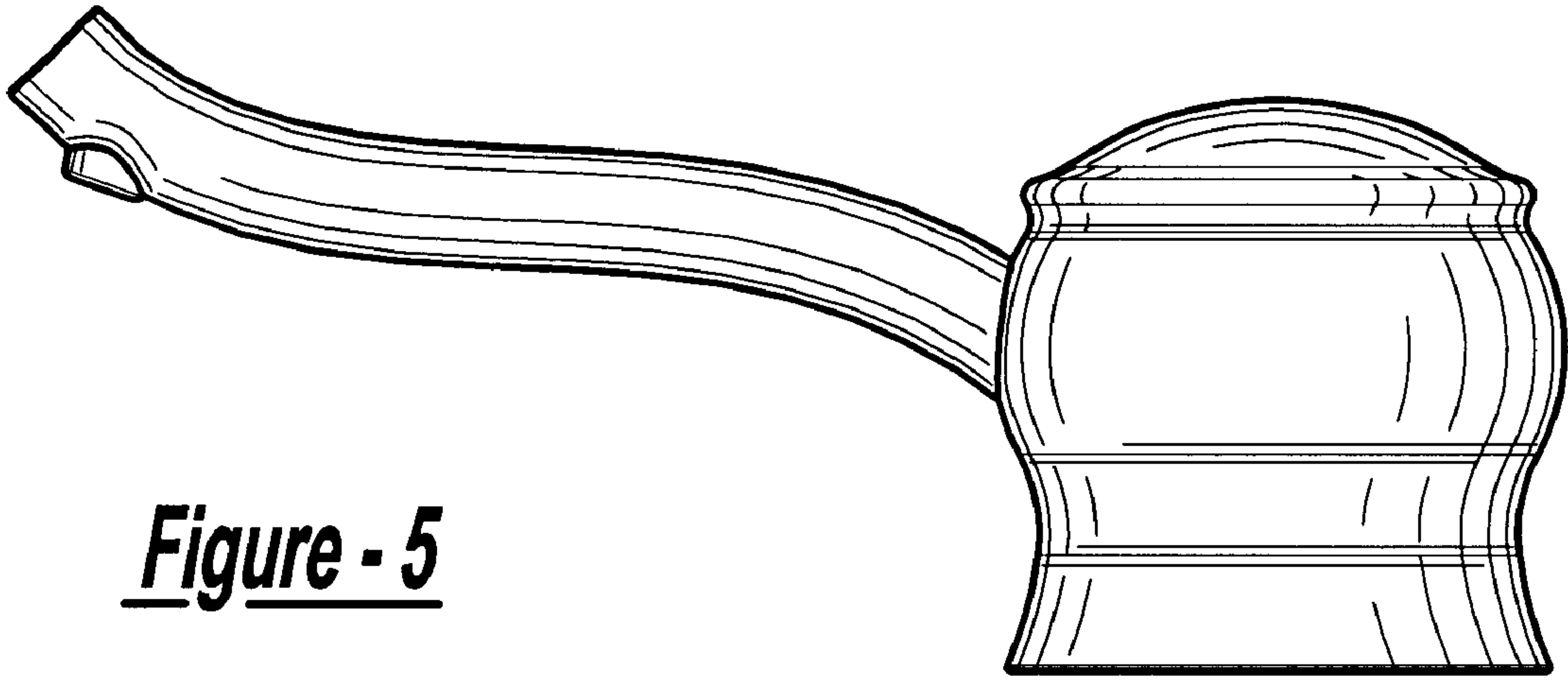
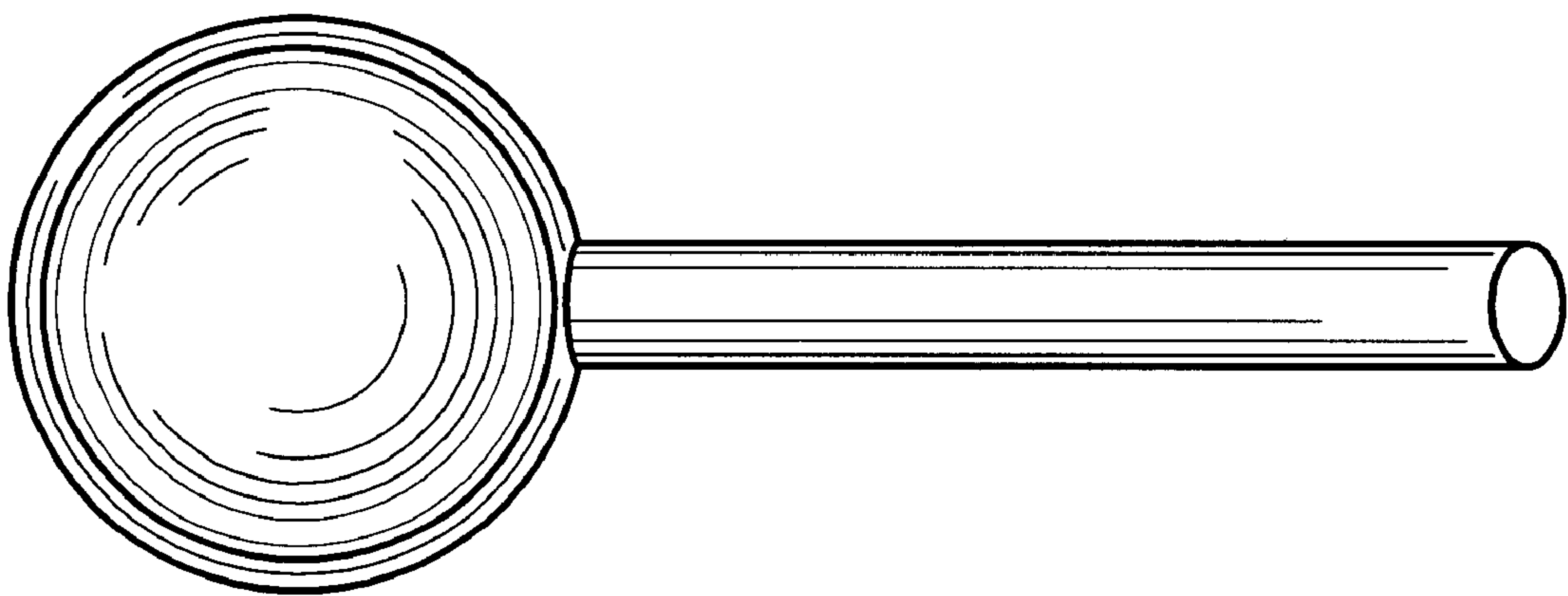


Figure - 4



**Figure - 5**



**Figure - 6**

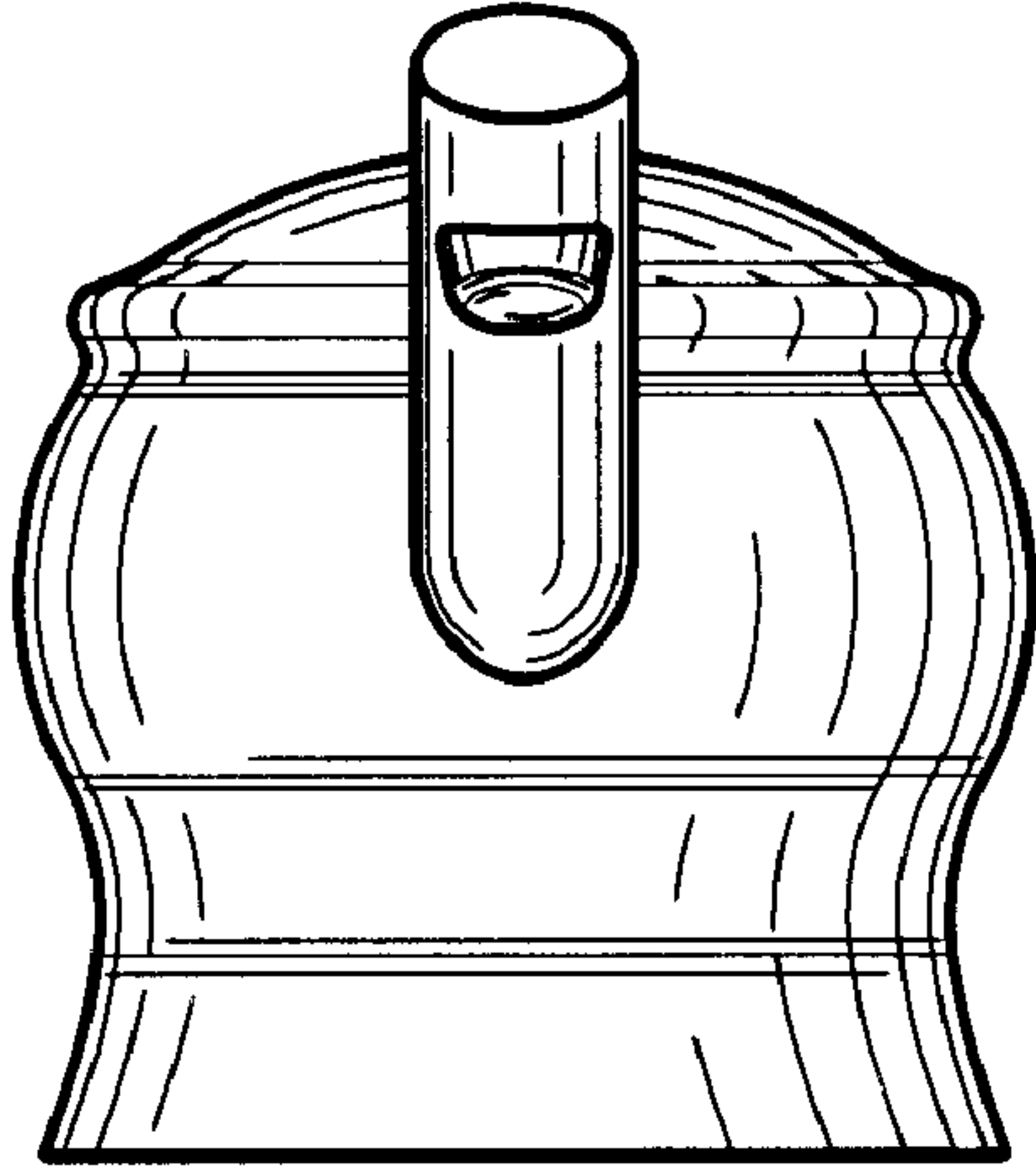


Figure - 7

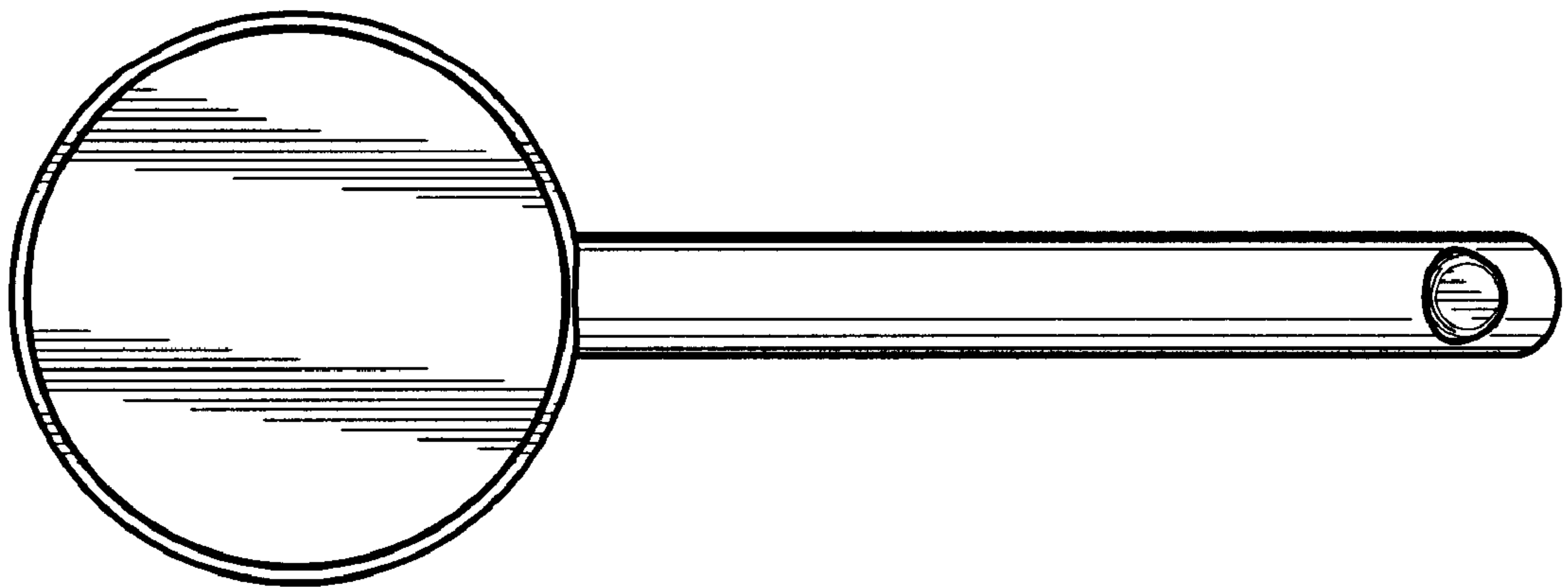


Figure - 8