



US00D467303S

(12) **United States Design Patent**  
**Kemp**

(10) **Patent No.:** **US D467,303 S**

(45) **Date of Patent:** **\*\* Dec. 17, 2002**

(54) **FAUCET**

(75) **Inventor:** **Douglas A. Kemp**, North Ridgeville, OH (US)

(73) **Assignee:** **Moen Incorporated**, North Olmsted, OH (US)

(\*\*) **Term:** **14 Years**

(21) **Appl. No.:** **29/134,426**

(22) **Filed:** **Dec. 20, 2000**

(51) **LOC (7) Cl.** ..... **23-01**

(52) **U.S. Cl.** ..... **D23/238**

(58) **Field of Search** ..... **D23/238-243, D23/250-257; 4/675-678; 137/801; D8/300-310**

(56) **References Cited**

**U.S. PATENT DOCUMENTS**

D227,568 S	7/1973	Thorp
D260,677 S	9/1981	Thevenot
D347,269 S	5/1994	Yost
D354,114 S	1/1995	Mark
D358,869 S	5/1995	Mark et al.
D359,112 S	6/1995	Mark et al.
D359,342 S	6/1995	Doughty et al.
D360,679 S	7/1995	Doughty et al.
D363,534 S	10/1995	Hill et al.
D364,211 S	11/1995	Hill et al.
D364,212 S	11/1995	Hill et al.
D365,142 S	12/1995	Hill et al.
D367,697 S	3/1996	Haug et al.
D367,698 S	3/1996	Haug et al.
D367,699 S	3/1996	Hill et al.
D367,917 S	3/1996	Haug et al.
D367,918 S	3/1996	Haug et al.
D374,709 S	10/1996	Doughty et al.
D376,414 S	12/1996	Doughty et al.
D381,402 S	7/1997	Doughty et al.
D387,415 S	12/1997	Oswaks et al.
D388,505 S	12/1997	Oswaks et al.
D388,865 S	1/1998	Fleischmann
D390,922 S	2/1998	Oswaks et al.

D397,206 S	8/1998	Lord
D398,374 S	9/1998	Lord
D398,378 S	9/1998	Lord
D399,923 S	10/1998	Ko
D400,969 S	11/1998	Lord
D402,351 S	12/1998	Lord
D404,119 S	1/1999	Lord
D404,466 S	1/1999	Lord
D405,161 S	2/1999	Kolada
D405,164 S	2/1999	Lord
D405,869 S	2/1999	Lord
D406,639 S	3/1999	Higgins
D407,465 S	3/1999	Ko
D409,280 S	5/1999	Lord
D409,281 S	5/1999	Lord
D409,291 S	5/1999	Lord
D410,071 S	5/1999	Lord
D410,737 S	6/1999	Gottwald
D412,739 S	8/1999	Lord
D413,966 S	9/1999	Pitsch
D414,547 S	9/1999	Pitsch
D414,846 S	10/1999	Lord
D416,077 S	11/1999	Fleischmann
D417,259 S	11/1999	Fabian et al.

(List continued on next page.)

*Primary Examiner*—Louis S. Zarfes

*Assistant Examiner*—Gregory Andoll

(74) *Attorney, Agent, or Firm*—Cook, Alex, McFarron, Manzo, Cummings & Mehler, Ltd.

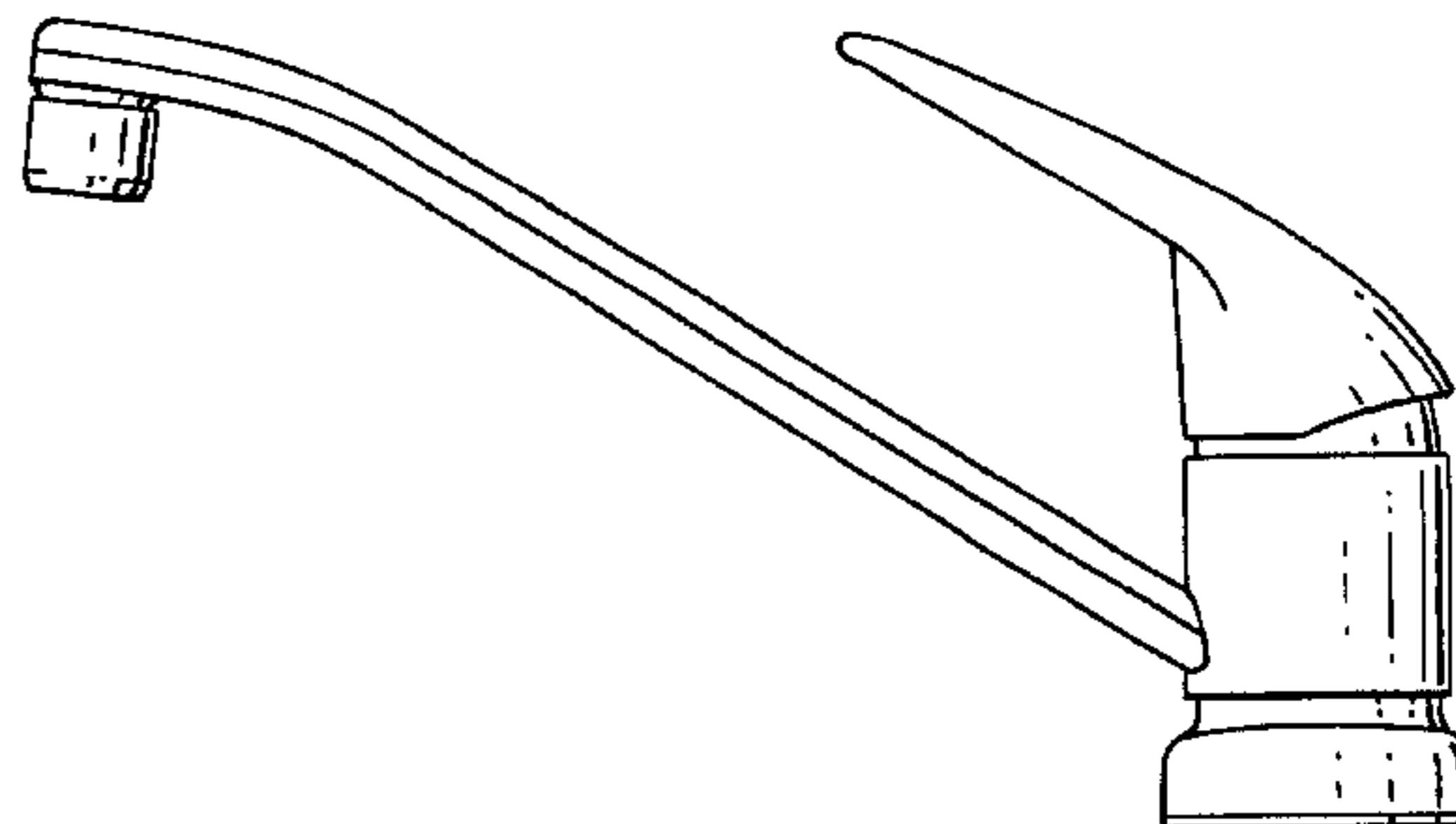
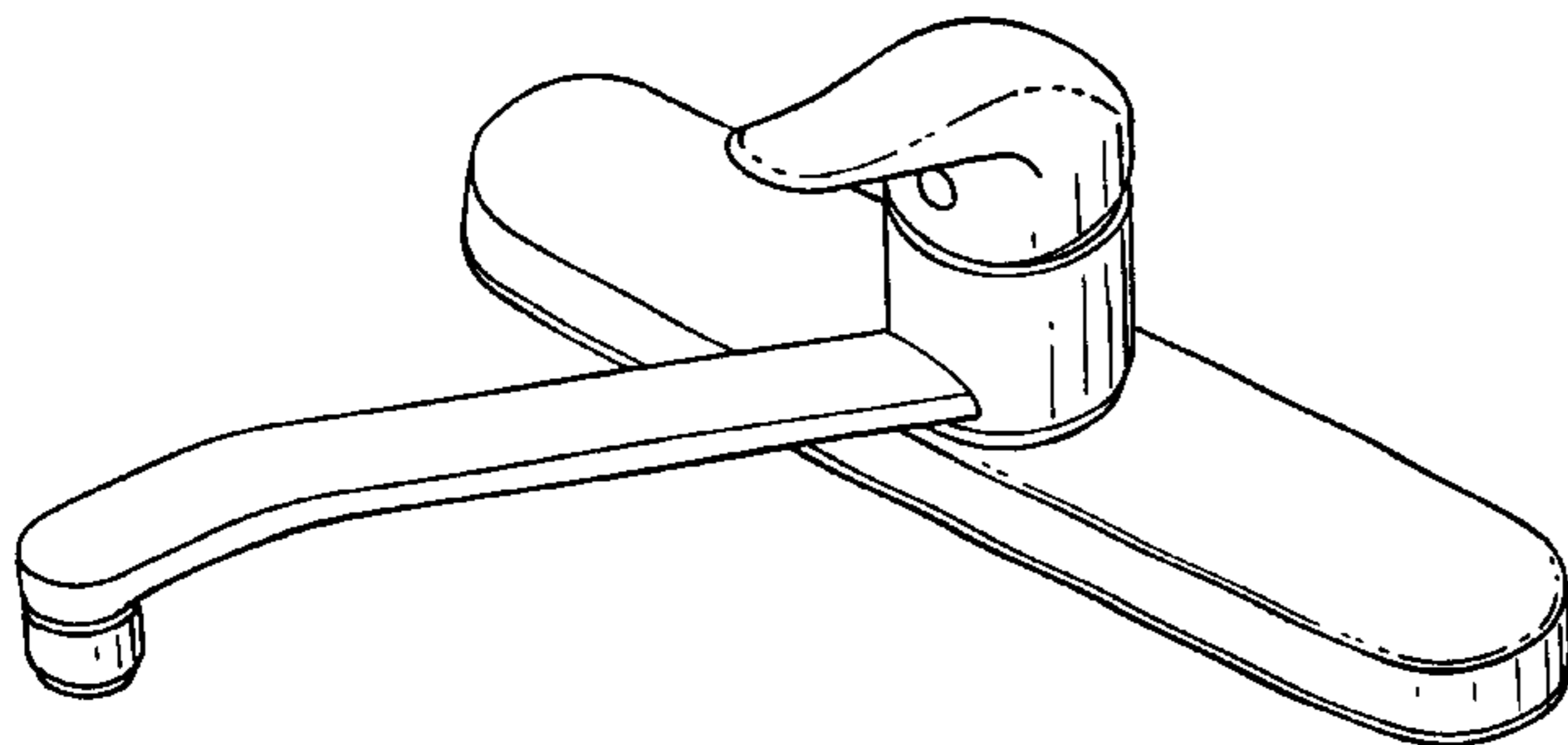
(57) **CLAIM**

The ornamental design for a faucet, as shown and described.

**DESCRIPTION**

FIG. 1 is a perspective view of my new design for a faucet; FIG. 2 is a front view thereof; FIG. 3 is a top view thereof; FIG. 4 is a right side view, the left side being the same as the right side; FIG. 5 is a rear view thereof; and, FIG. 6 is a bottom view thereof.

**1 Claim, 2 Drawing Sheets**



# US D467,303 S

Page 2

---

## U.S. PATENT DOCUMENTS

D420,104 S	2/2000	Lobermeier	D427,665 S	7/2000	Fabien et al.
D422,343 S	4/2000	Lord	D428,472 S	7/2000	Fleischmann
D423,084 S	4/2000	Lord	D428,966 S	8/2000	Pitsch
D424,170 S	5/2000	Fleischmann	D428,969 S	8/2000	Pitsch
D426,287 S	6/2000	Fiegl et al.	D430,651 S	9/2000	Fiegl et al.
D426,871 S	6/2000	Fleischmann	D430,921 S	9/2000	Fleischmann
D426,874 S	6/2000	Warchawsky et al.	D431,284 S	9/2000	Pitsch
			D431,633 S	10/2000	Pitsch

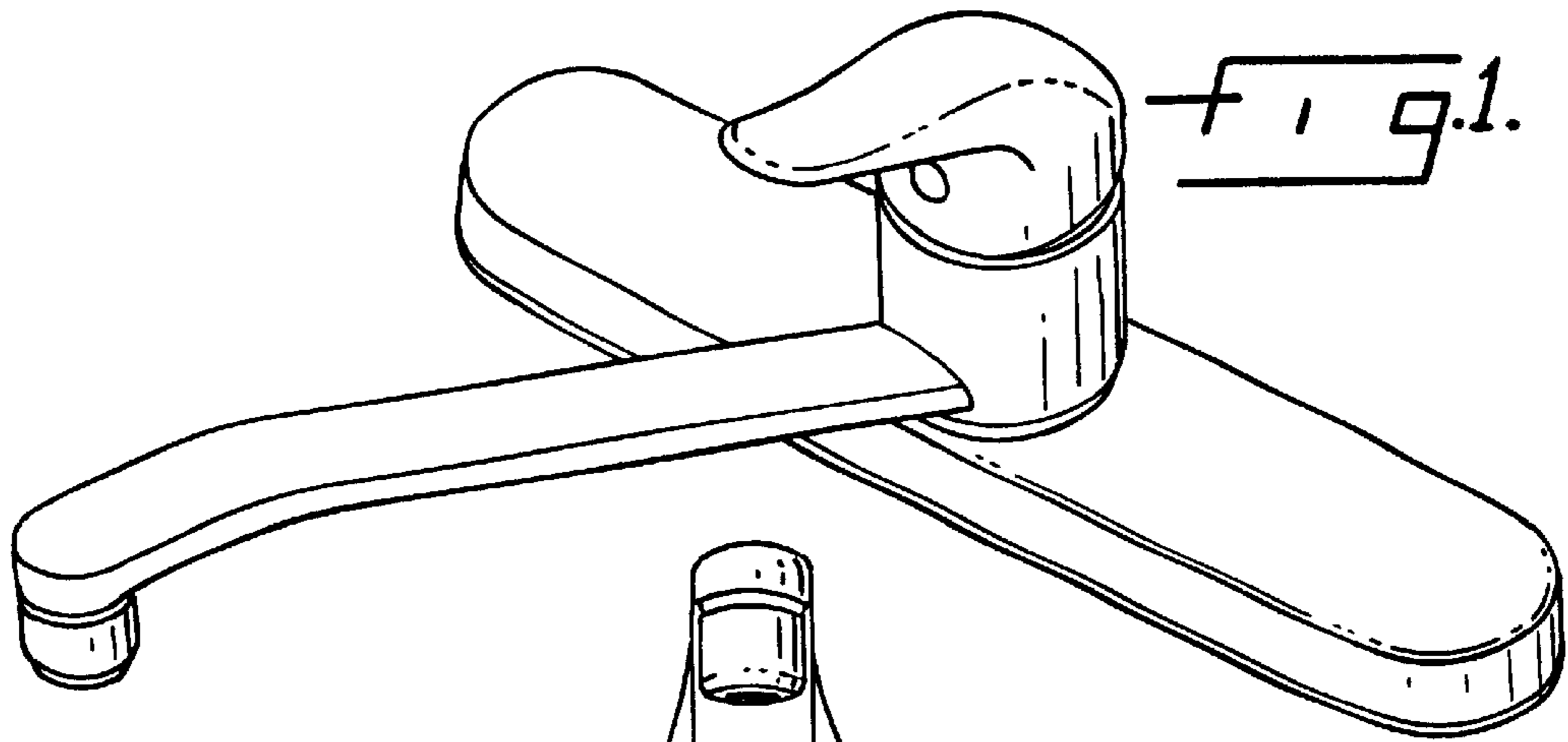


FIG. 1.

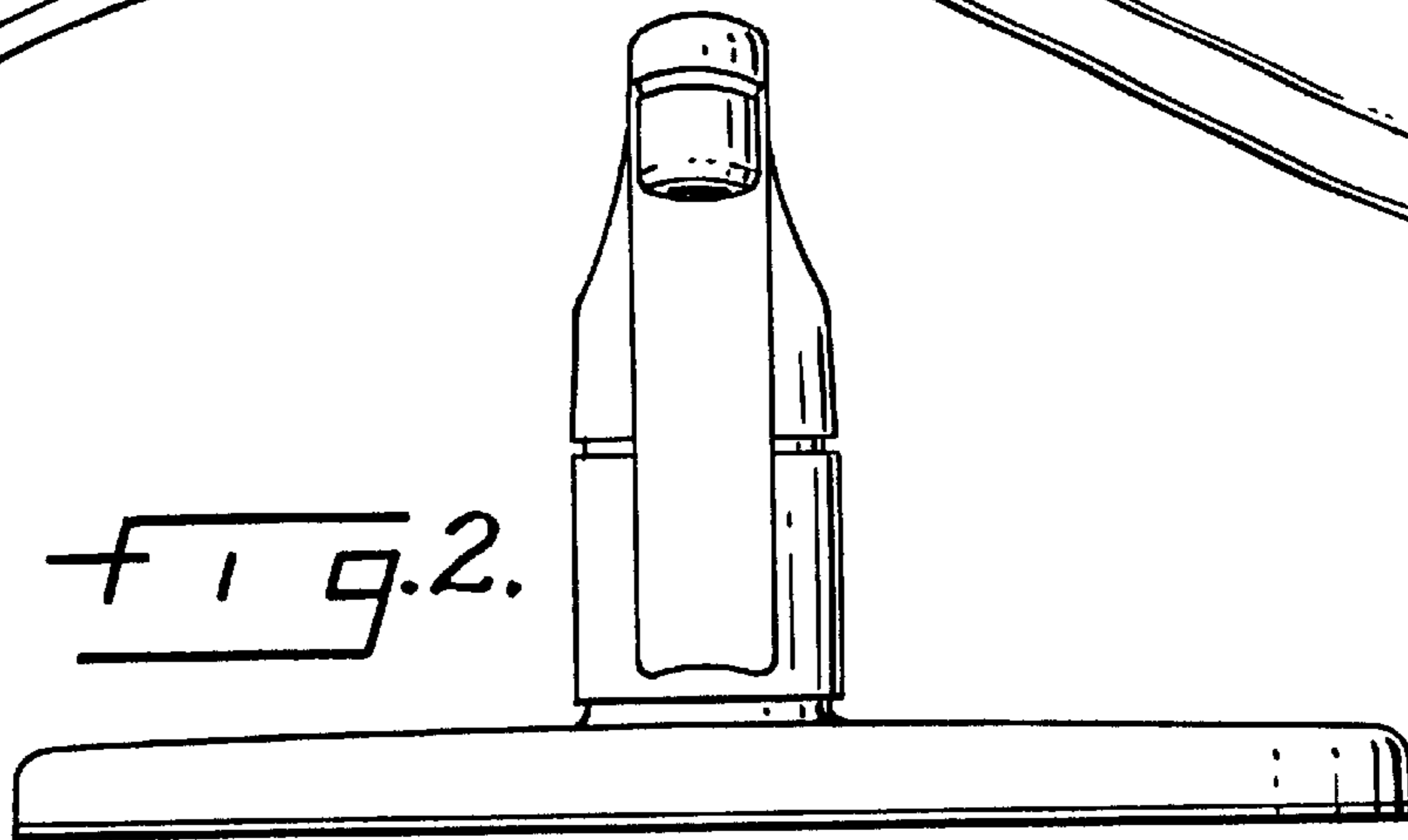


FIG. 2.

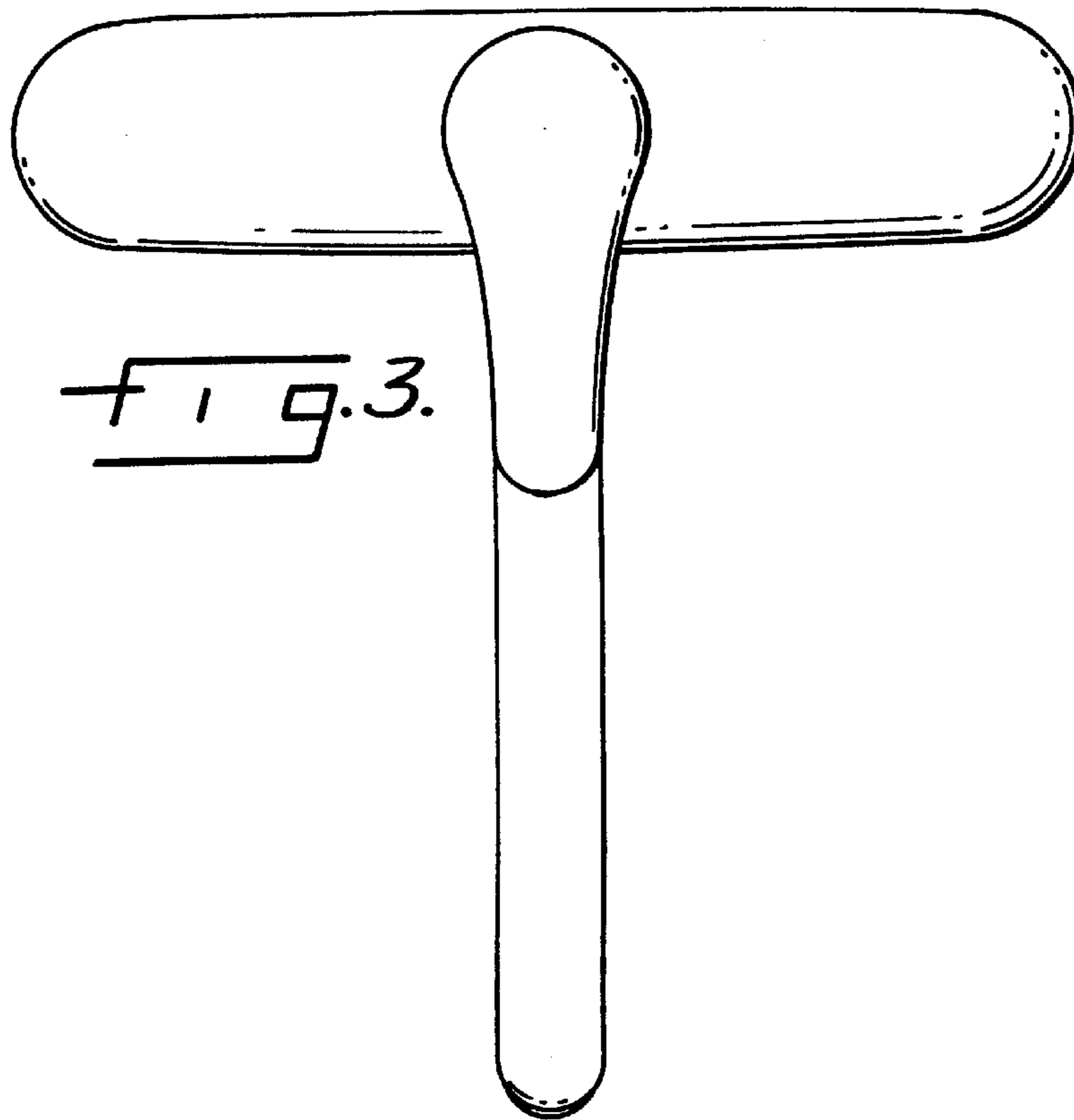


FIG. 3.

