



US00D467301S

(12) **United States Design Patent**
Clivio

(10) **Patent No.:** **US D467,301 S**

(45) **Date of Patent:** **** Dec. 17, 2002**

(54) **GARDEN AND LAWN SPRINKLER**

(75) Inventor: **Franco Clivio**, Erlenbach (CH)

(73) Assignee: **Gardena Kress + Kastner GmbH**
(DE)

(**) Term: **14 Years**

(21) Appl. No.: **29/155,744**

(22) Filed: **Feb. 15, 2002**

(30) **Foreign Application Priority Data**

Aug. 17, 2001 (DE) 401 07 245

(51) **LOC (7) Cl.** **23-01**

(52) **U.S. Cl.** **D23/214**

(58) **Field of Search** D23/213, 214,
D23/221; 239/390–397, 200, 201, 203,
204–6

(56) **References Cited**

U.S. PATENT DOCUMENTS

D277,127 S	*	1/1985	Mackay et al.	D23/214
D305,792 S	*	1/1990	Hastings et al.	D23/214
D315,192 S	*	3/1991	Clivio	D23/214
D372,761 S	*	8/1996	Chih	D23/214
D374,914 S	*	10/1996	Wang	D23/214

OTHER PUBLICATIONS

Two pages from a catalog “Gardenlife” published by Claber S.p.A., Italy, Aug. 1998.

Four pages from a catalog published by Uniflex Utilitime S.p.A., Italy, Jul. 2000 for the year 2001.

One page from a catalog published by Gilmour Group, USA for the year 1999.

P. 4 from a catalog published by L.R. Nelson Europe BV in 2000 for the year 2001.

P. 17 from a catalog published by Hozelock Ltd for the year 2001.

P. 10 from a catalog published by Hunter Industries, USA, Oct. 1999 for the years 2000–2001.

P. 10 from a catalog “Garden Line” published by Rain Bird for the year 2001.

* cited by examiner

Primary Examiner—Robin V. Taylor

(74) *Attorney, Agent, or Firm*—Akerman Senterfitt

(57) **CLAIM**

The ornamental design for a garden and lawn sprinkler, as shown and described.

DESCRIPTION

FIG. 1: is a side perspective view of a garden and lawn sprinkler showing my new design;

FIG. 2: is a side elevation view thereof;

FIG. 3: is a top plan view thereof;

FIG. 4: is a front elevation view thereof;

FIG. 5: is a rear elevation view thereof;

FIG. 6: is a bottom plan view; and,

FIG. 7: is the opposite side elevation view thereof.

1 Claim, 4 Drawing Sheets

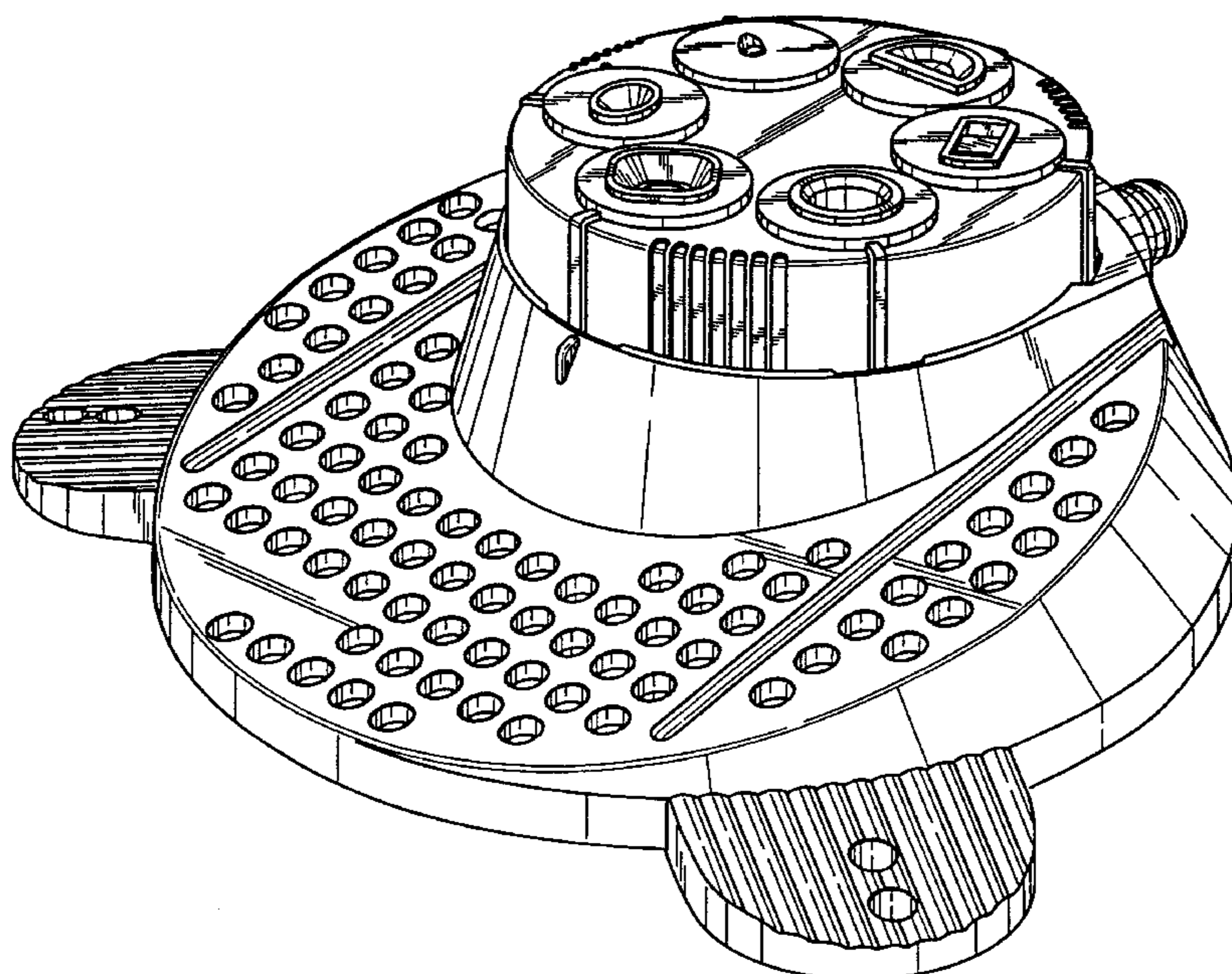


FIG. 1

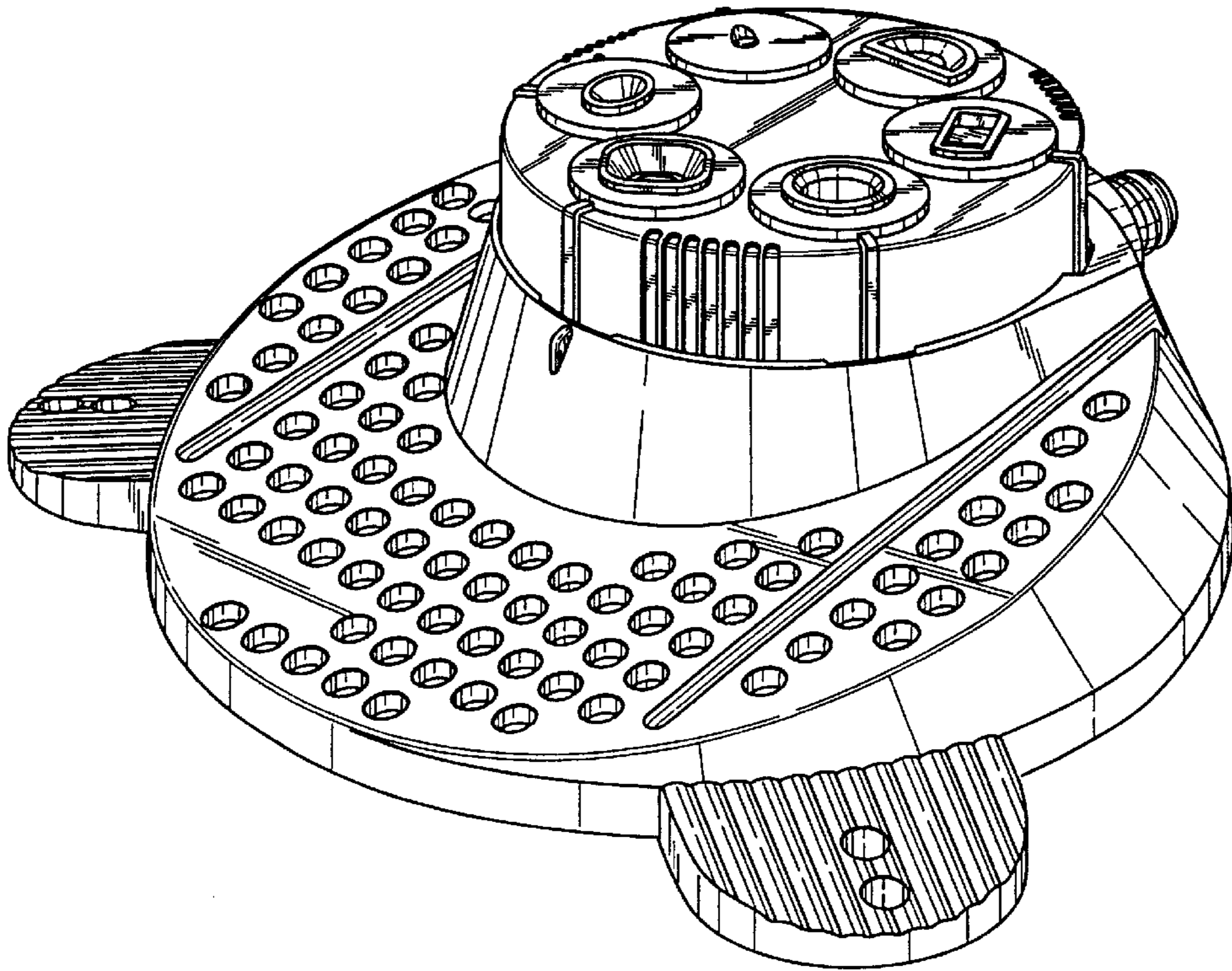
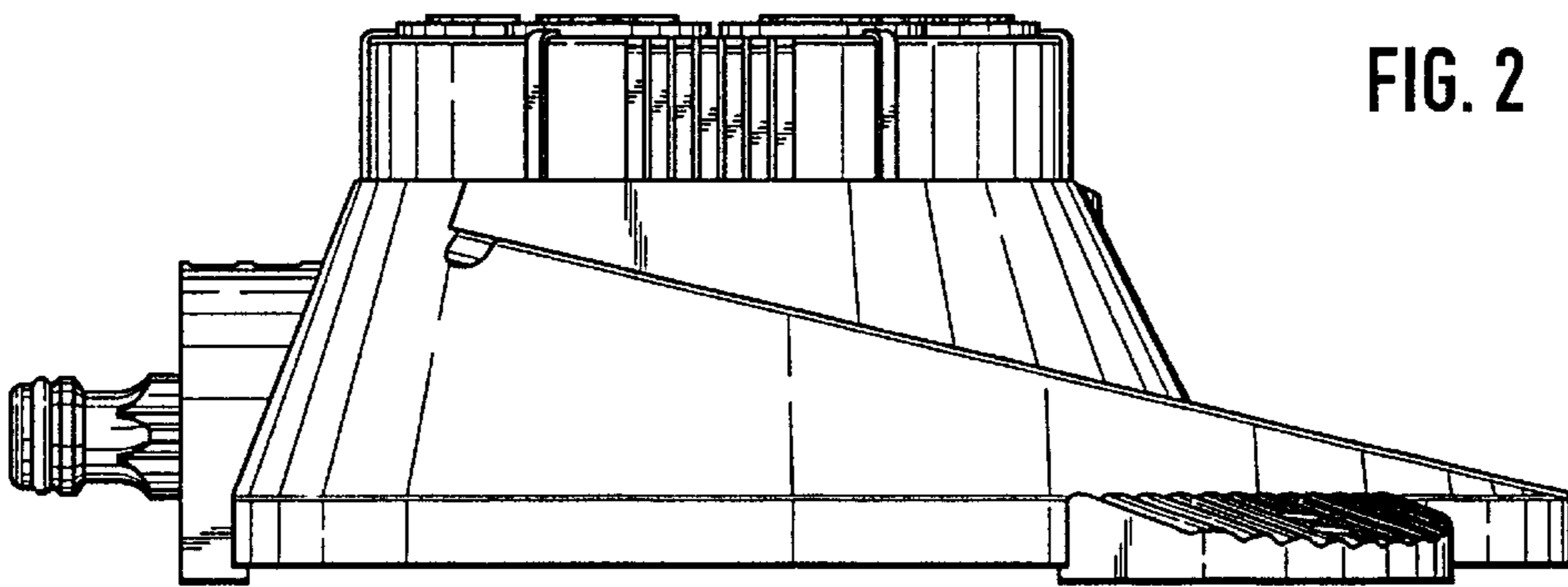


FIG. 2



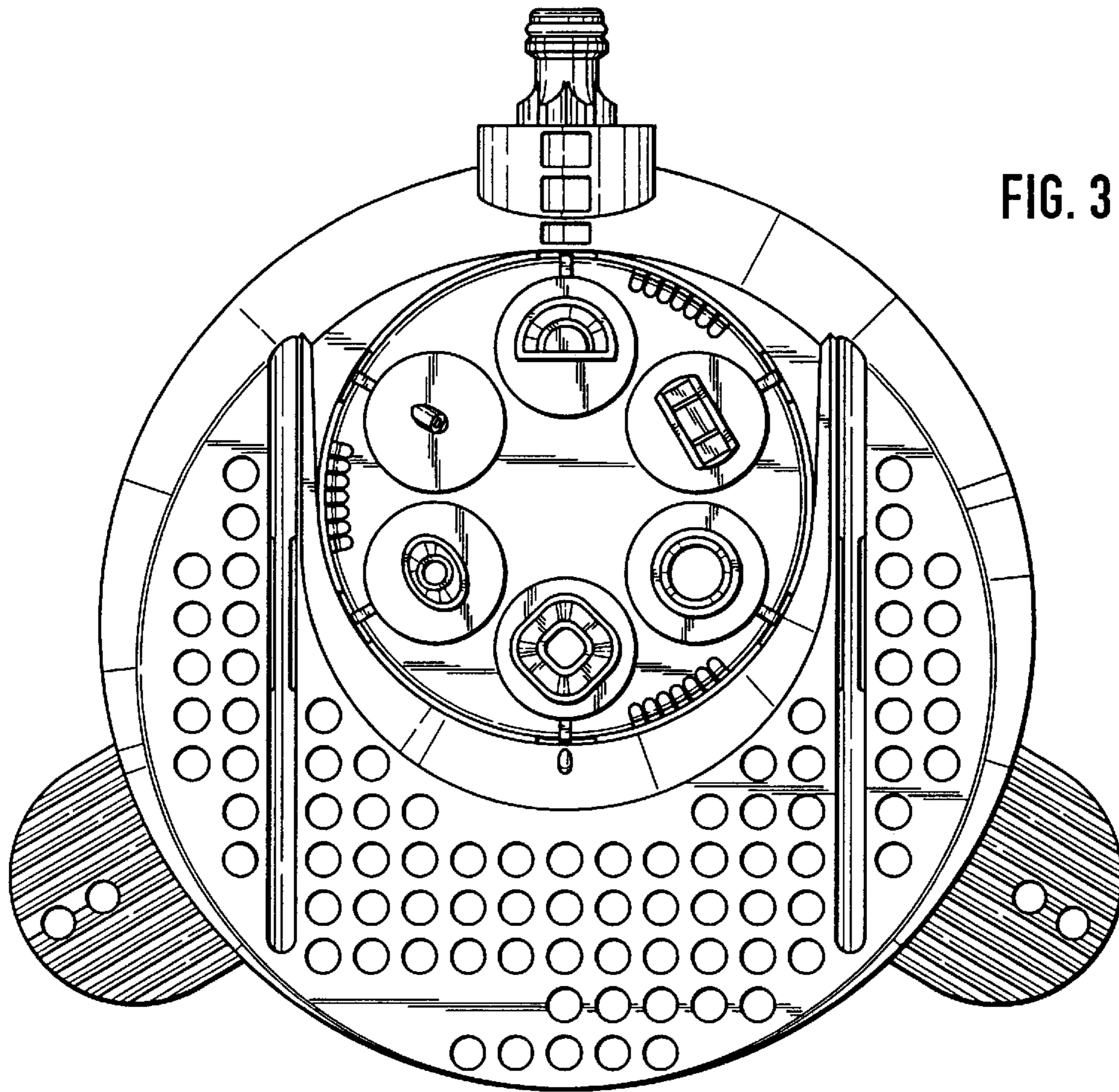


FIG. 3

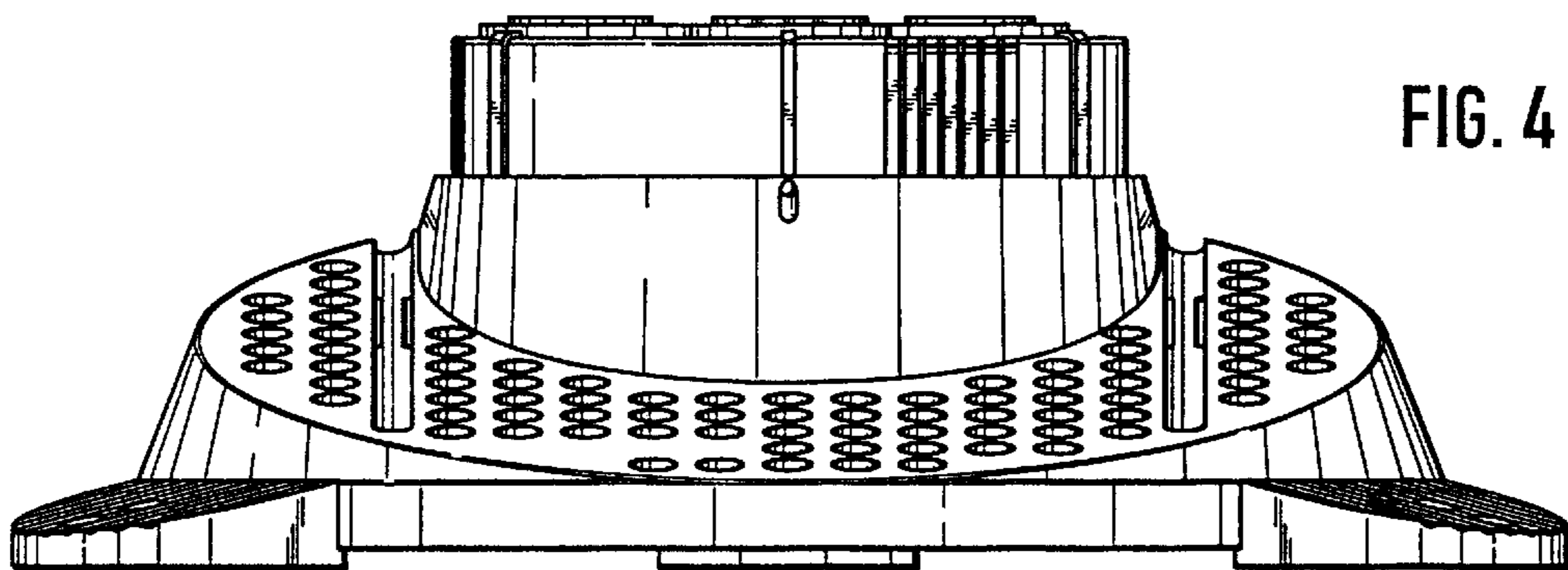


FIG. 4

FIG. 5

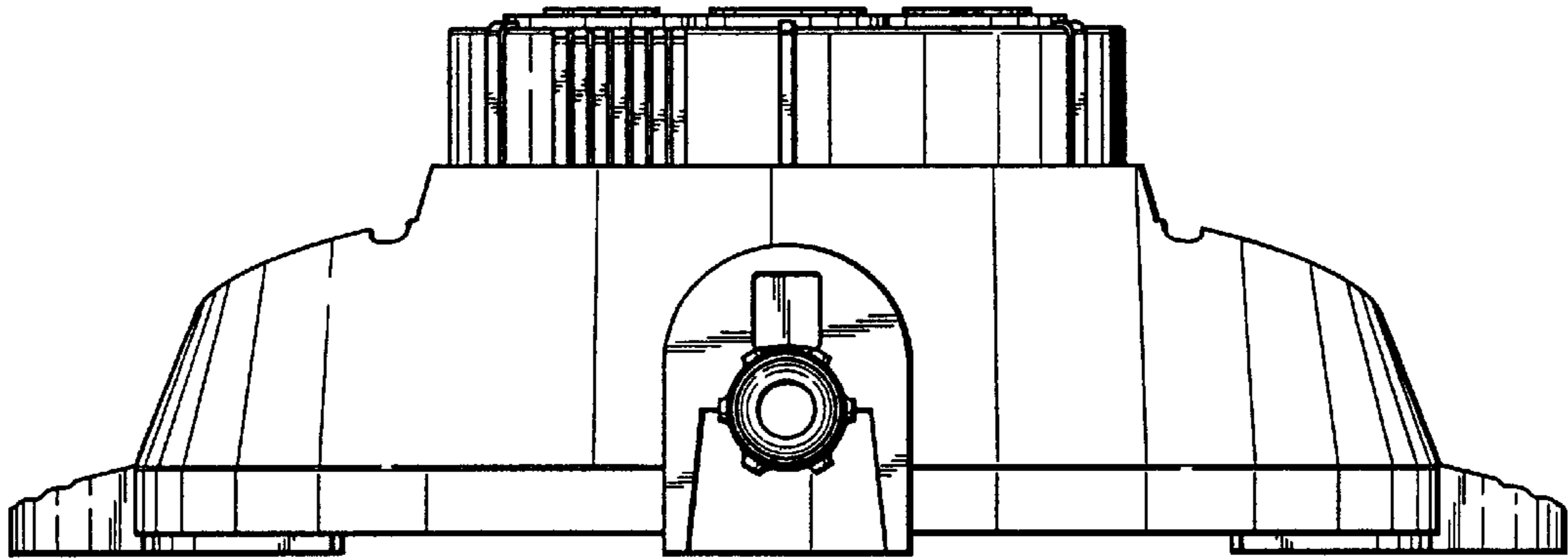


FIG. 6

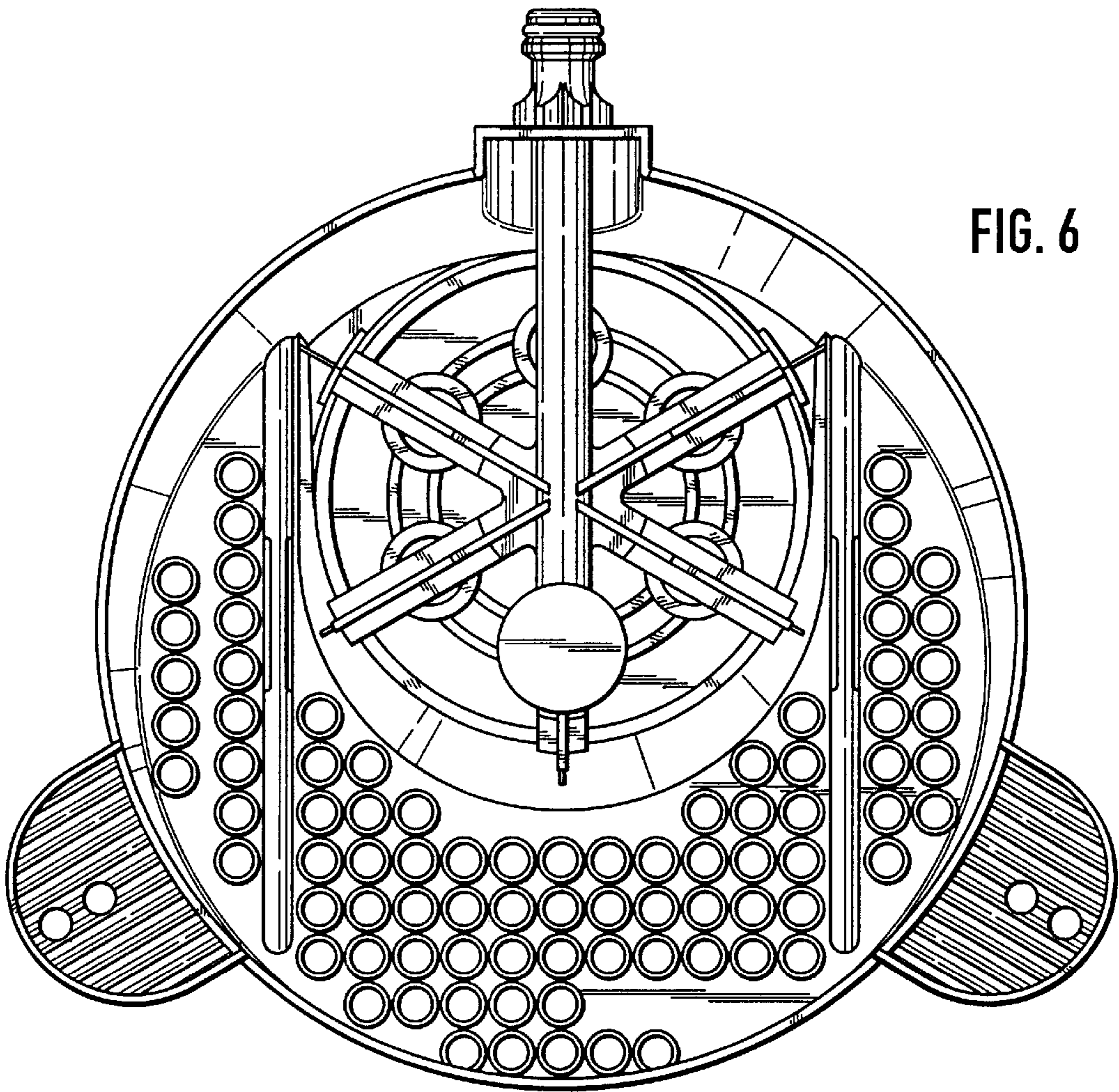


FIG. 7

