



US00D467299S

(12) **United States Design Patent** (10) **Patent No.:** **US D467,299 S**
Kondo et al. (45) **Date of Patent:** **** Dec. 17, 2002**

(54) **FISHING REEL BODY**

FOREIGN PATENT DOCUMENTS

(75) Inventors: **Takashi Kondo**, Musashino (JP);
Masatoshi Katayama, Higashikurume
(JP); **Shigeo Mimura**, Higashikurume
(JP); **Noriyasu Fukushima**,
Higashikurume (JP)

JP 1023472 9/1999
JP 1052417 10/1999
JP 1054150 11/1999

* cited by examiner

Primary Examiner—Catherine R. Oliver

(74) *Attorney, Agent, or Firm*—Sughrue Mion, PLLC

(73) Assignee: **Daiwa Seiko, Inc.**, Tokyo (JP)

(**) Term: **14 Years**

(57) **CLAIM**

(21) Appl. No.: **29/156,257**

The ornamental design for a fishing reel body, as shown and described.

(22) Filed: **Feb. 27, 2002**

DESCRIPTION

(30) **Foreign Application Priority Data**

Aug. 31, 2001 (JP) 2001-025565
Aug. 31, 2001 (JP) 2001-025569

FIG. 1 is a perspective view of the top, front and right side of a fishing reel body showing our new design;
FIG. 2 is a front elevational view thereof;
FIG. 3 is a rear elevational view thereof;
FIG. 4 is a top plan view thereof;
FIG. 5 is a bottom plan view thereof;
FIG. 6 is a left side elevational view thereof;
FIG. 7 is a right side elevational view thereof;
FIG. 8 is a perspective view similar to FIG. 1 of a second embodiment of the fishing reel body;
FIG. 9 is a front elevational view thereof;
FIG. 10 is a rear elevational view thereof;
FIG. 11 is a top plan view thereof;
FIG. 12 is a bottom plan view thereof;
FIG. 13 is a left side elevational view thereof; and,
FIG. 14 is a right side elevational view thereof.
The broken line showing of environment in the drawings is for illustrative purposes only and forms no part of the claimed design.

(51) **LOC (7) Cl.** **22-05**
(52) **U.S. Cl.** **D22/141**
(58) **Field of Search** D22/139-147;
242/224, 234, 283, 311, 316, 322; 43/19,
20, 21, 22, 23

(56) **References Cited**

U.S. PATENT DOCUMENTS

D352,761 S 11/1994 Salurai D22/141
5,433,394 A * 7/1995 Brozio 242/283
D388,860 S 1/1998 Iwabuchi D22/141
D401,996 S * 12/1998 Asano et al. D22/141
D403,395 S 12/1998 Yoshikawa et al. D22/141
D414,237 S * 9/1999 Kane et al. D22/141
D437,026 S * 1/2001 Tao D22/141
D443,019 S * 5/2001 Kang et al. D22/141

1 Claim, 8 Drawing Sheets

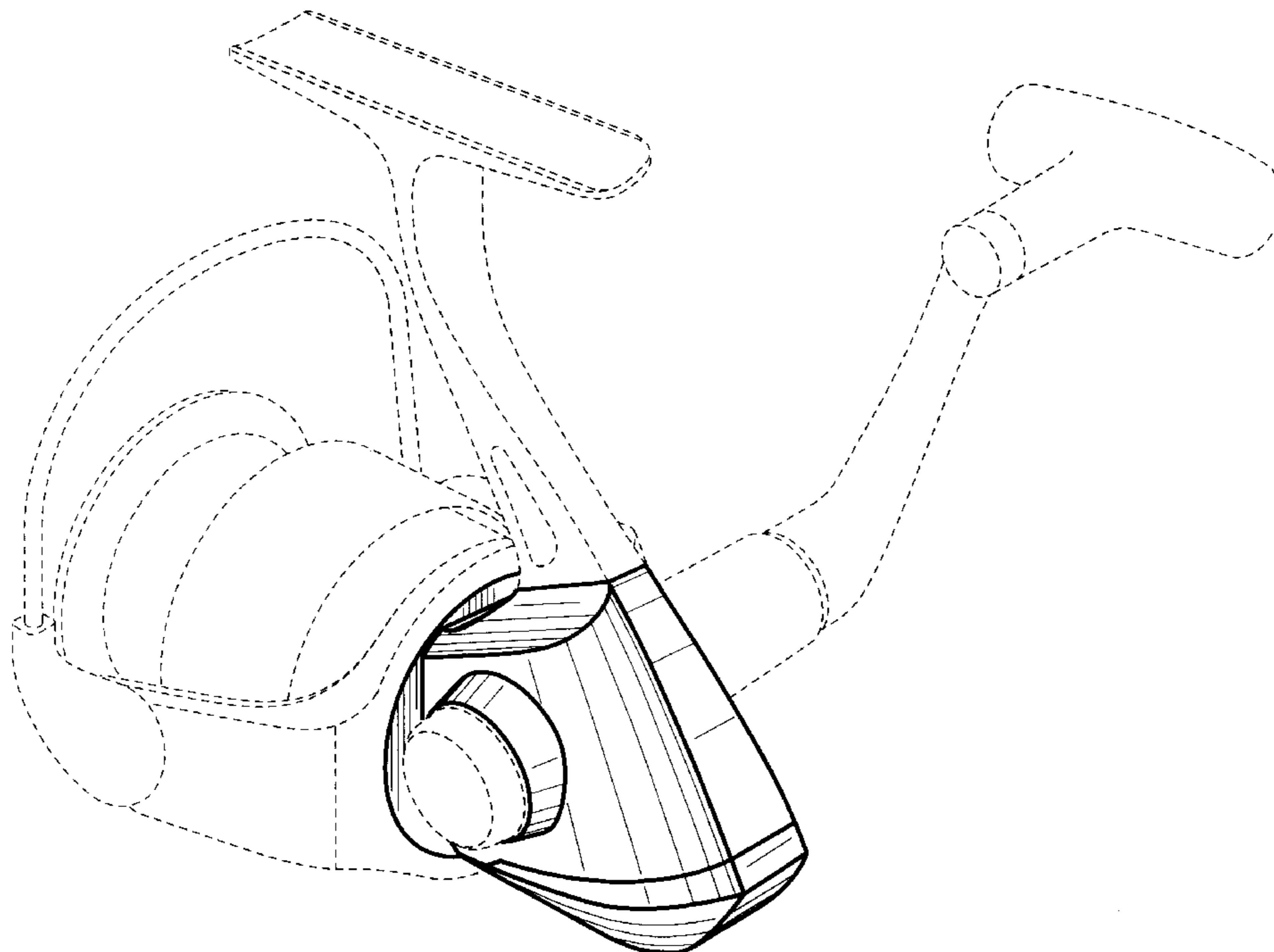


FIG. 1

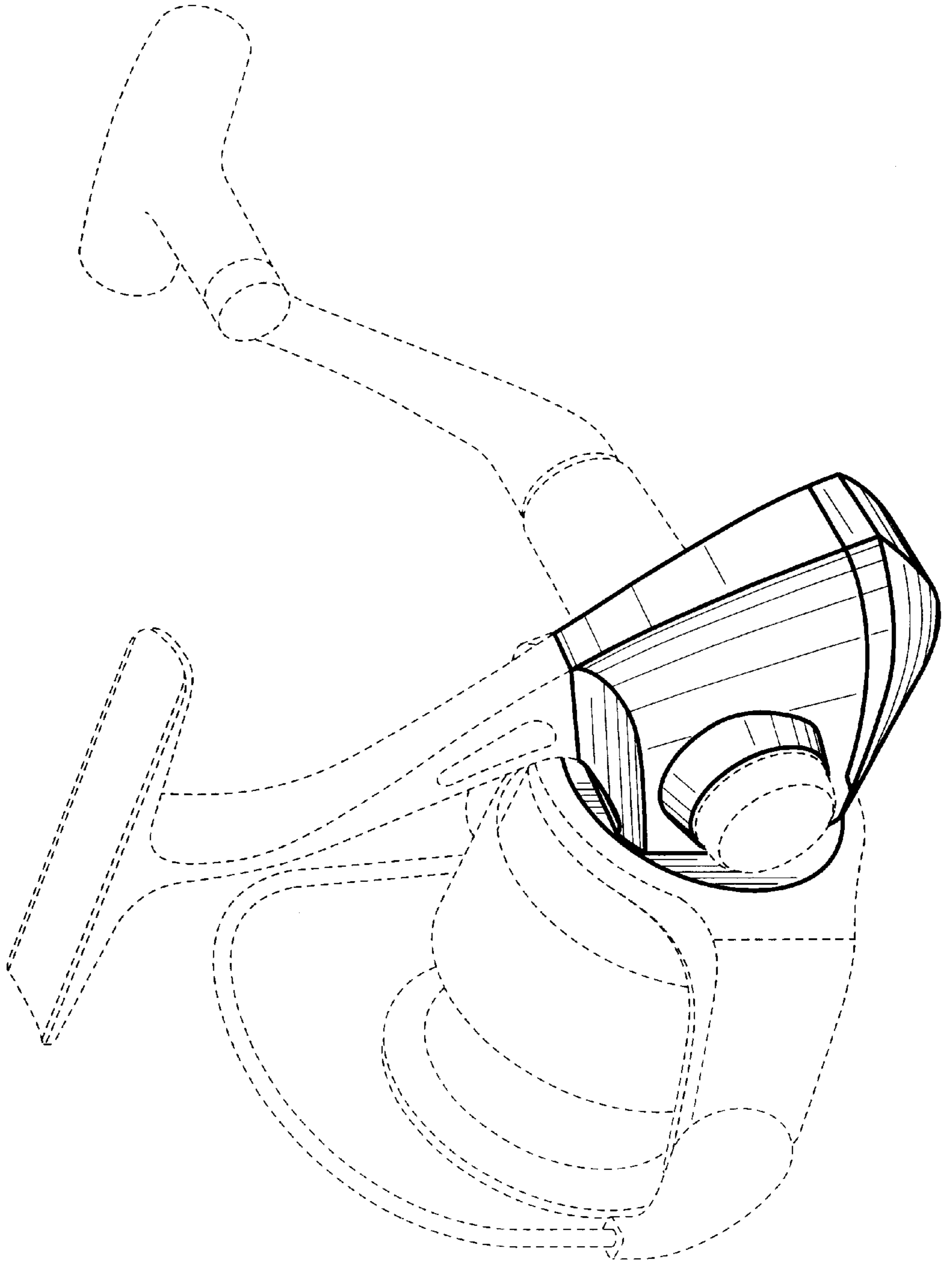


FIG. 2

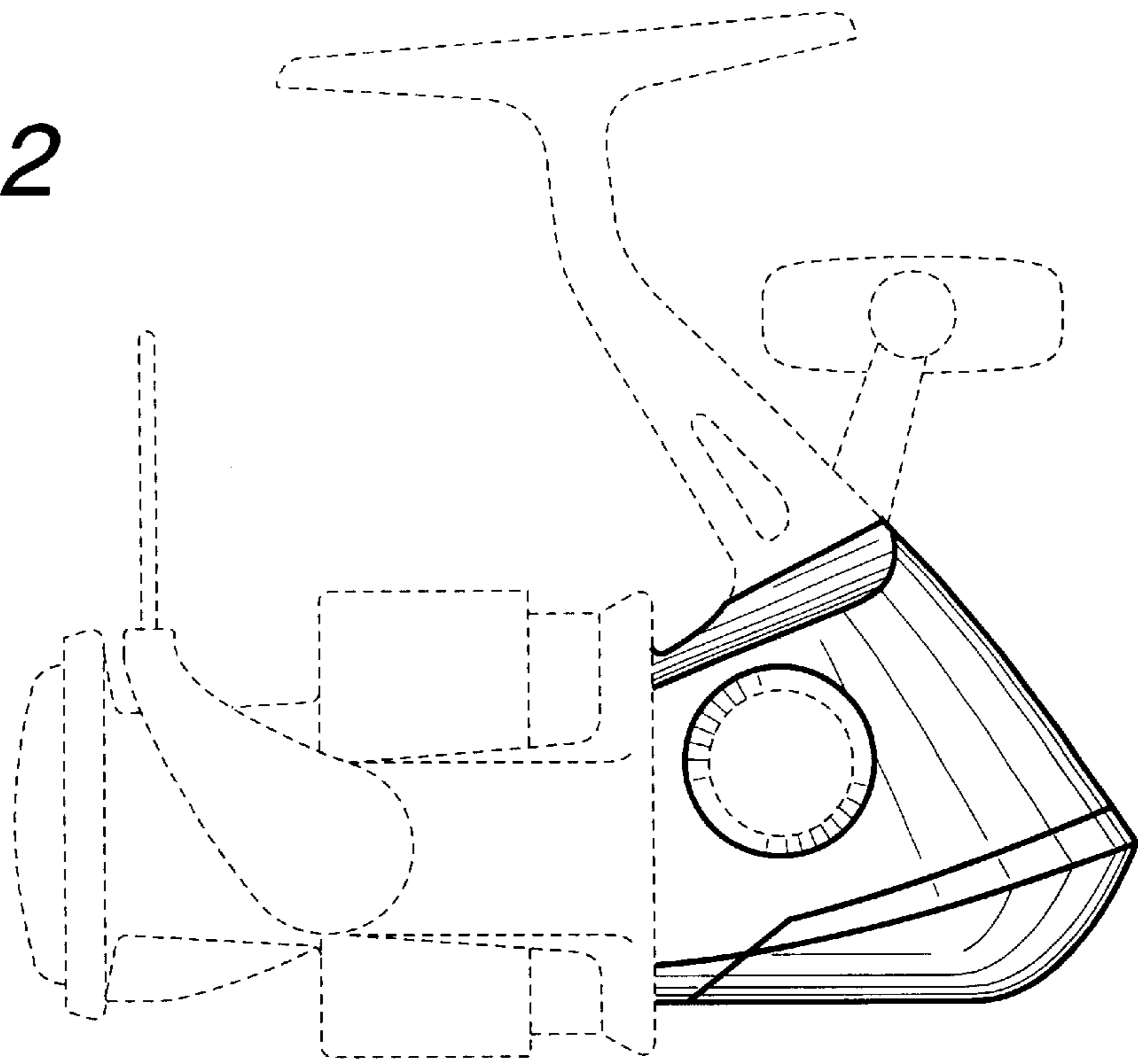


FIG. 3

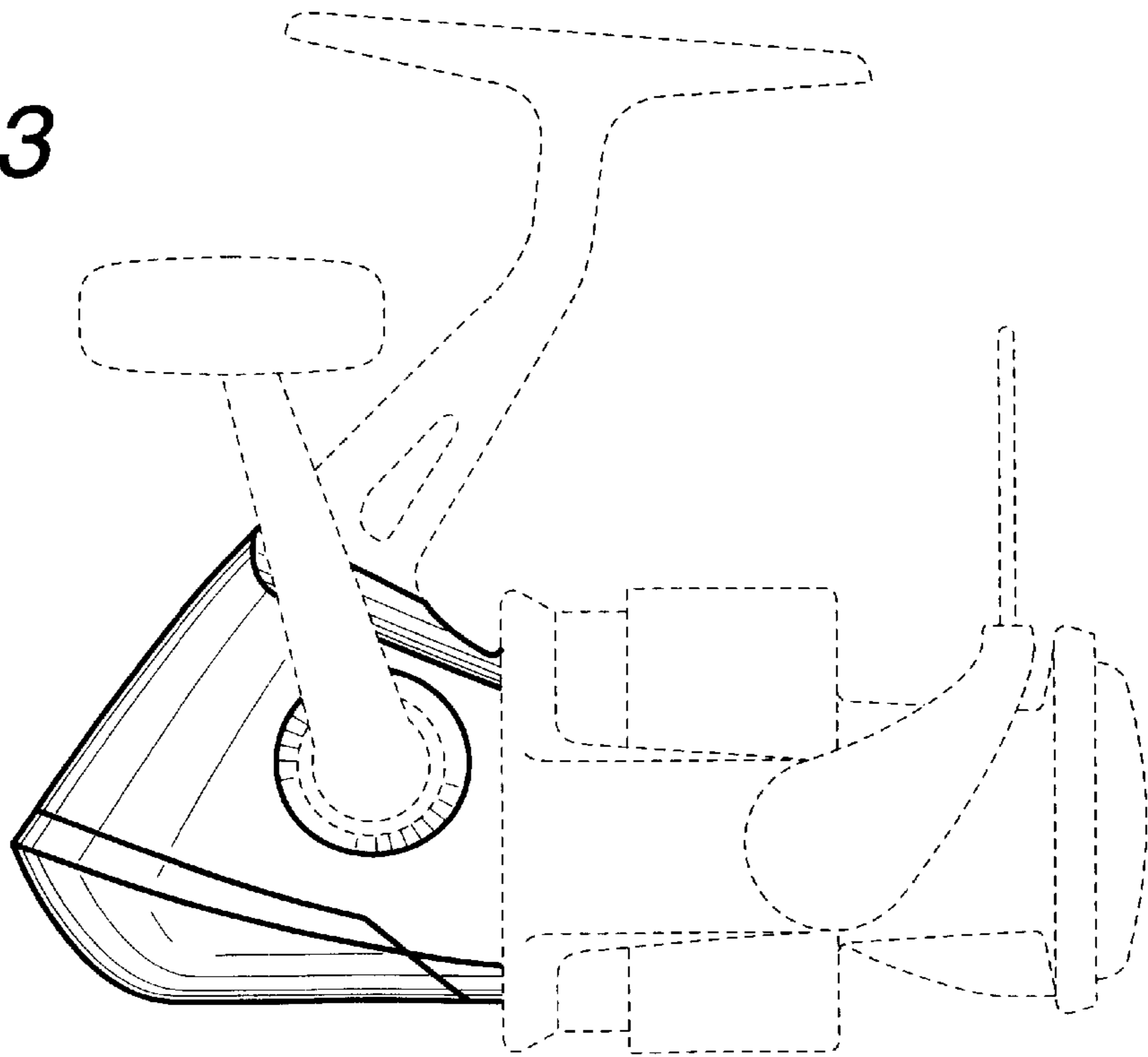


FIG. 5

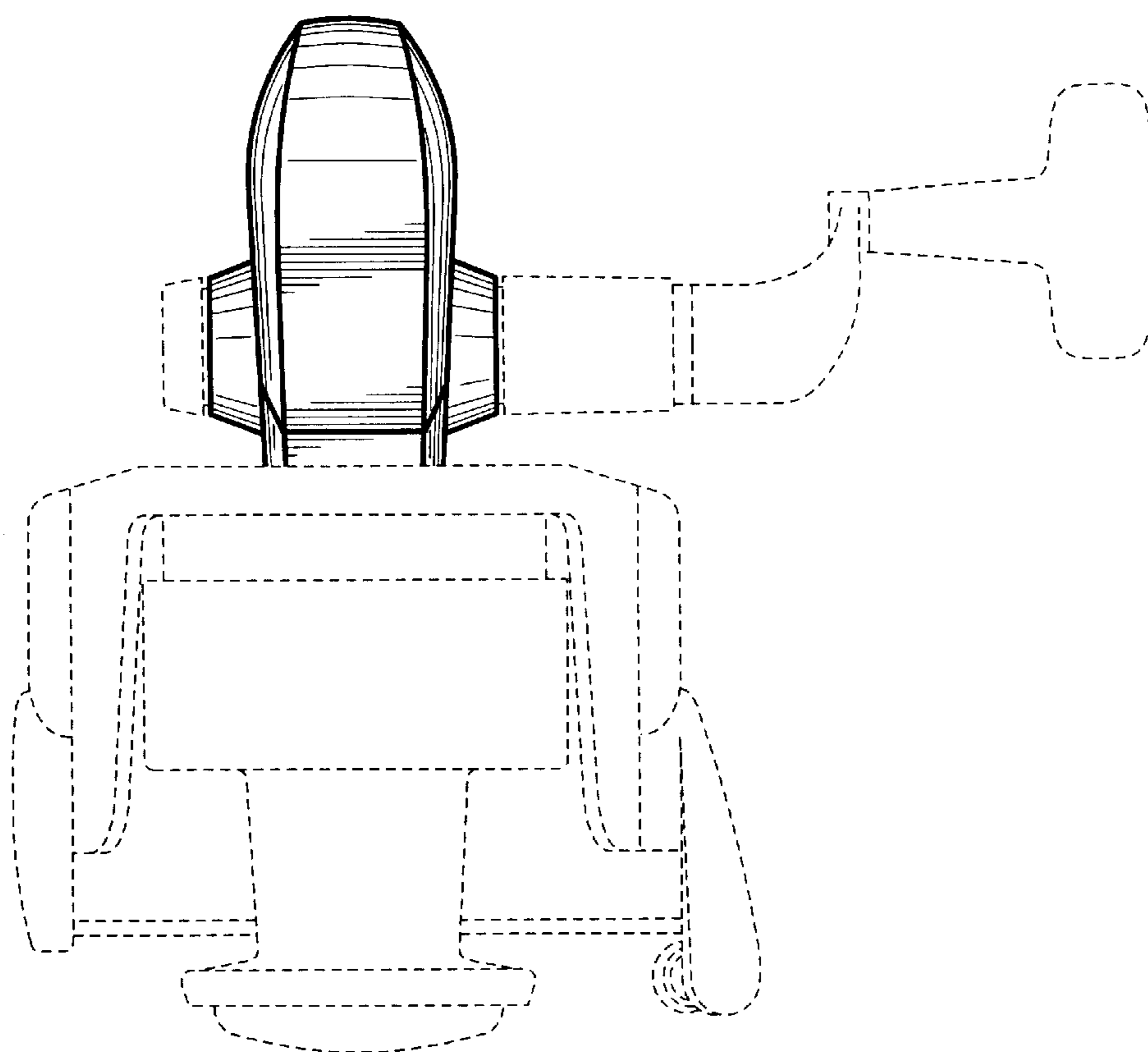


FIG. 4

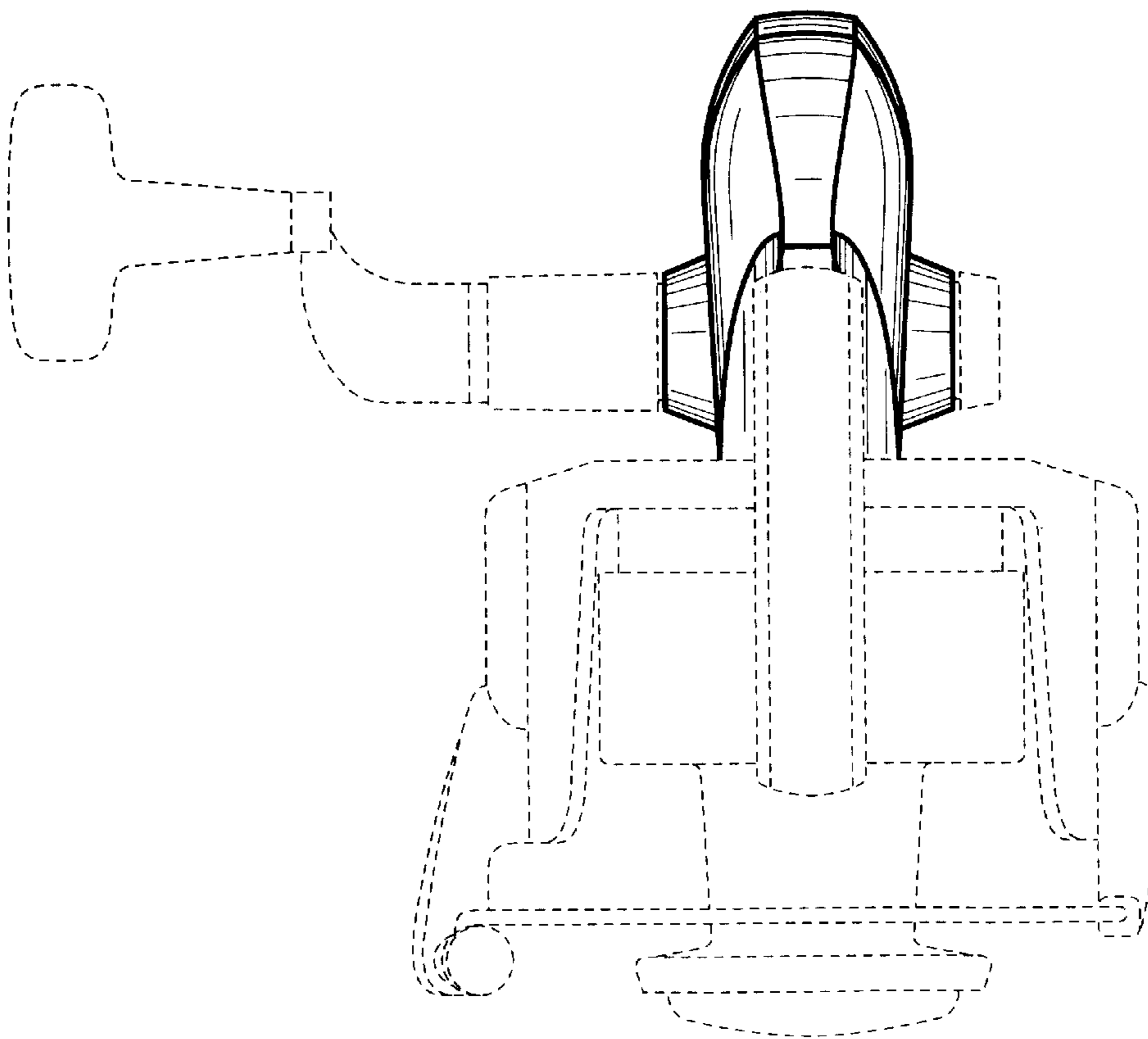


FIG. 6

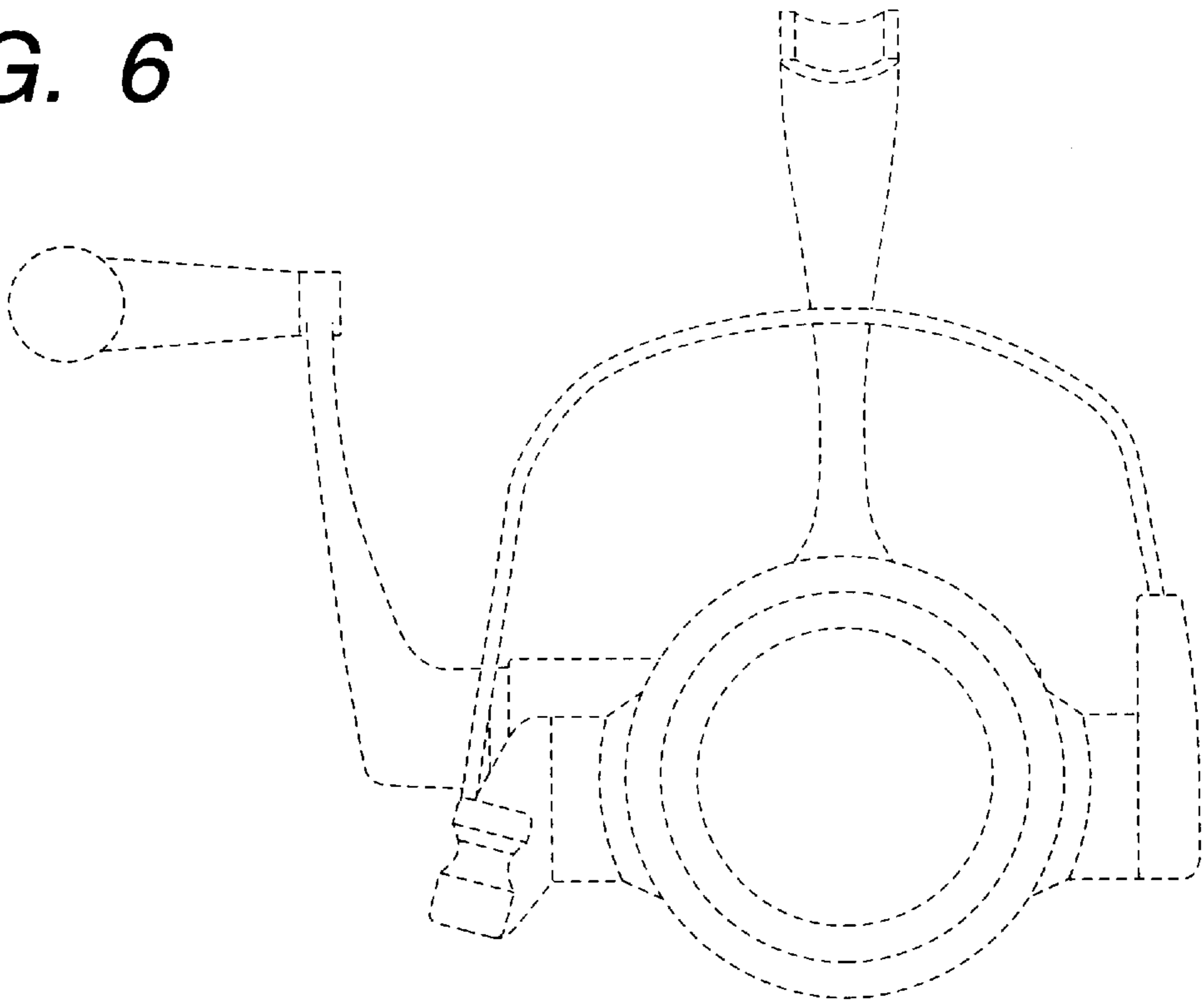


FIG. 7

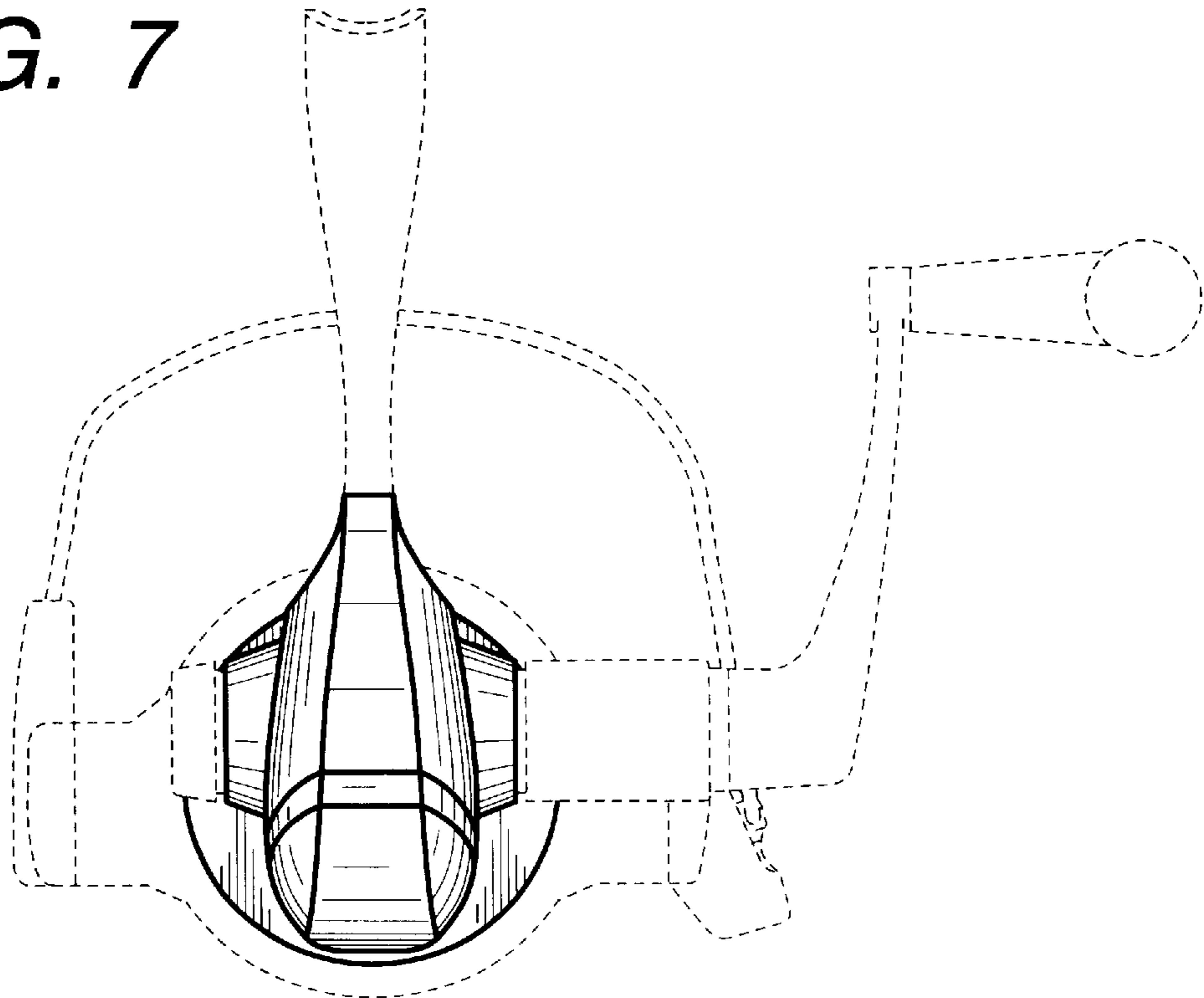


FIG. 8

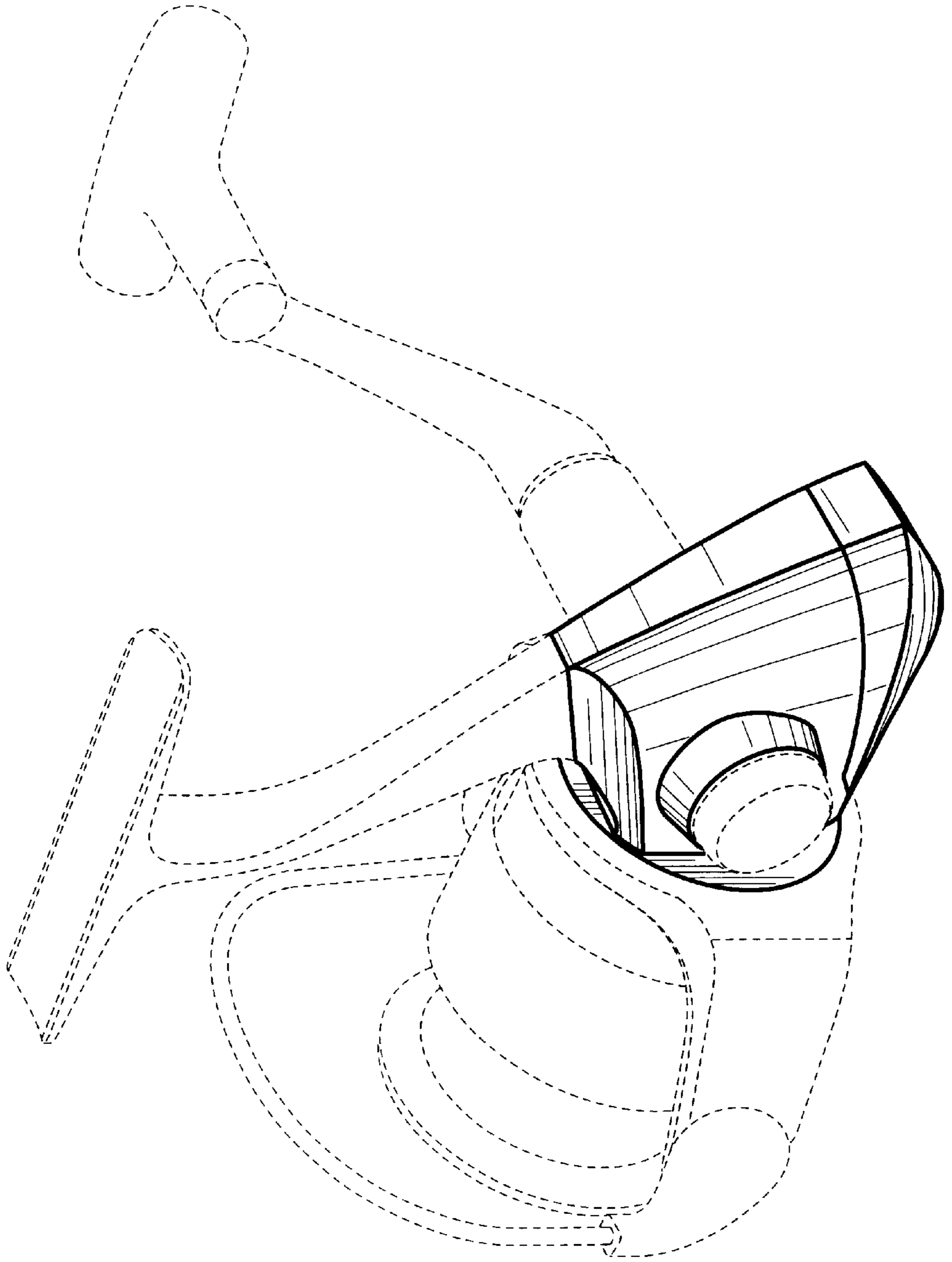


FIG. 9

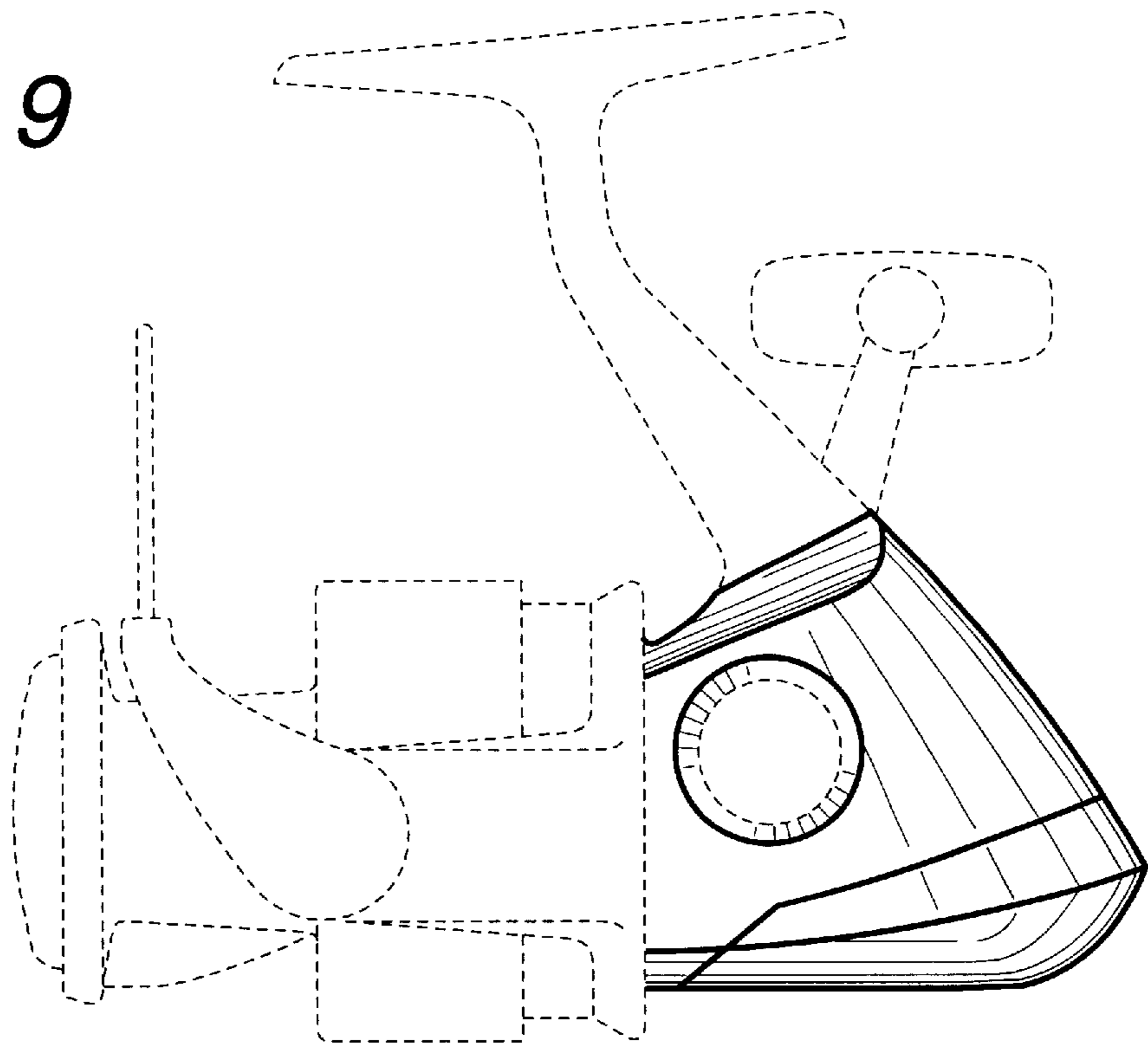


FIG. 10

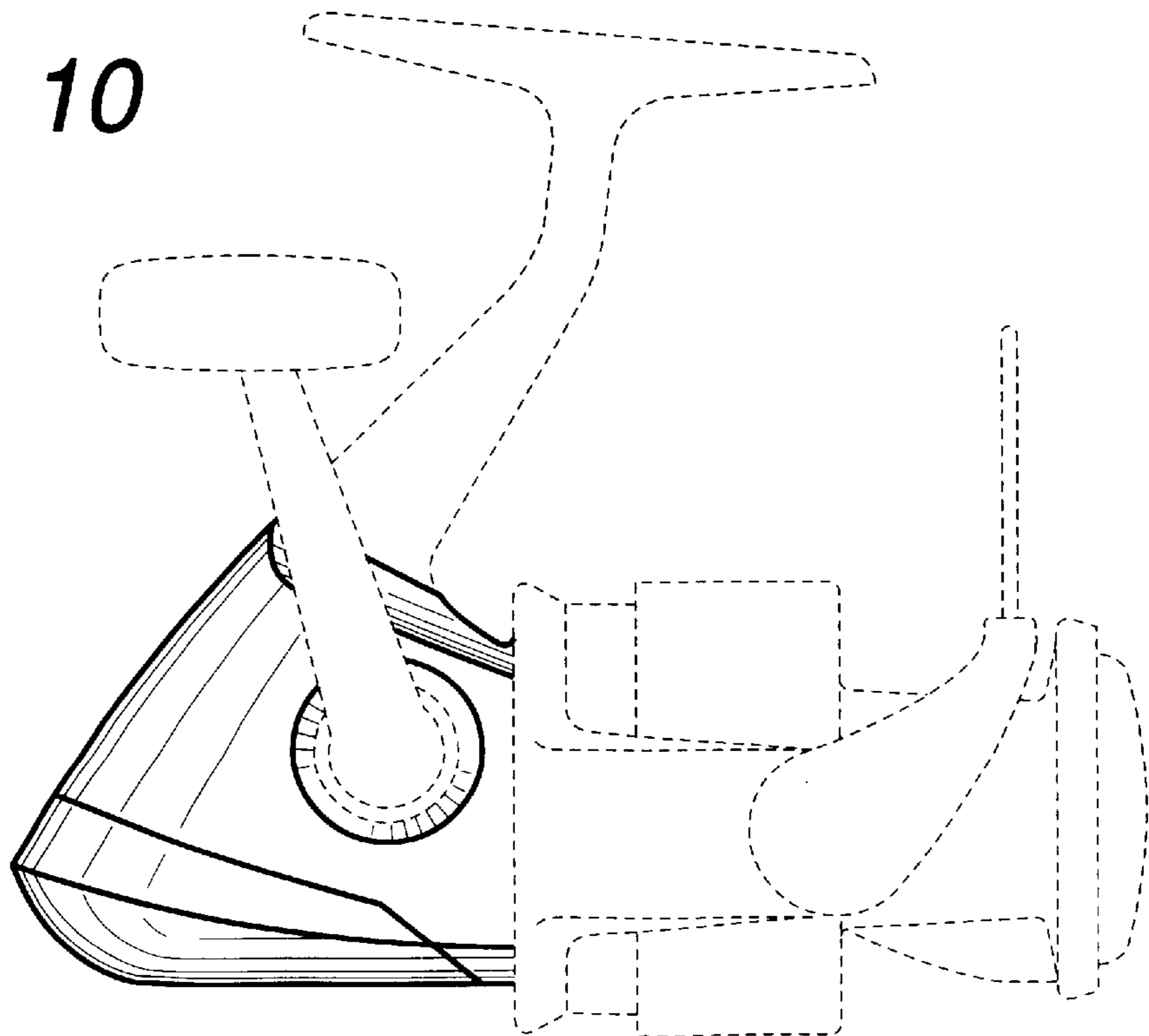


FIG. 12

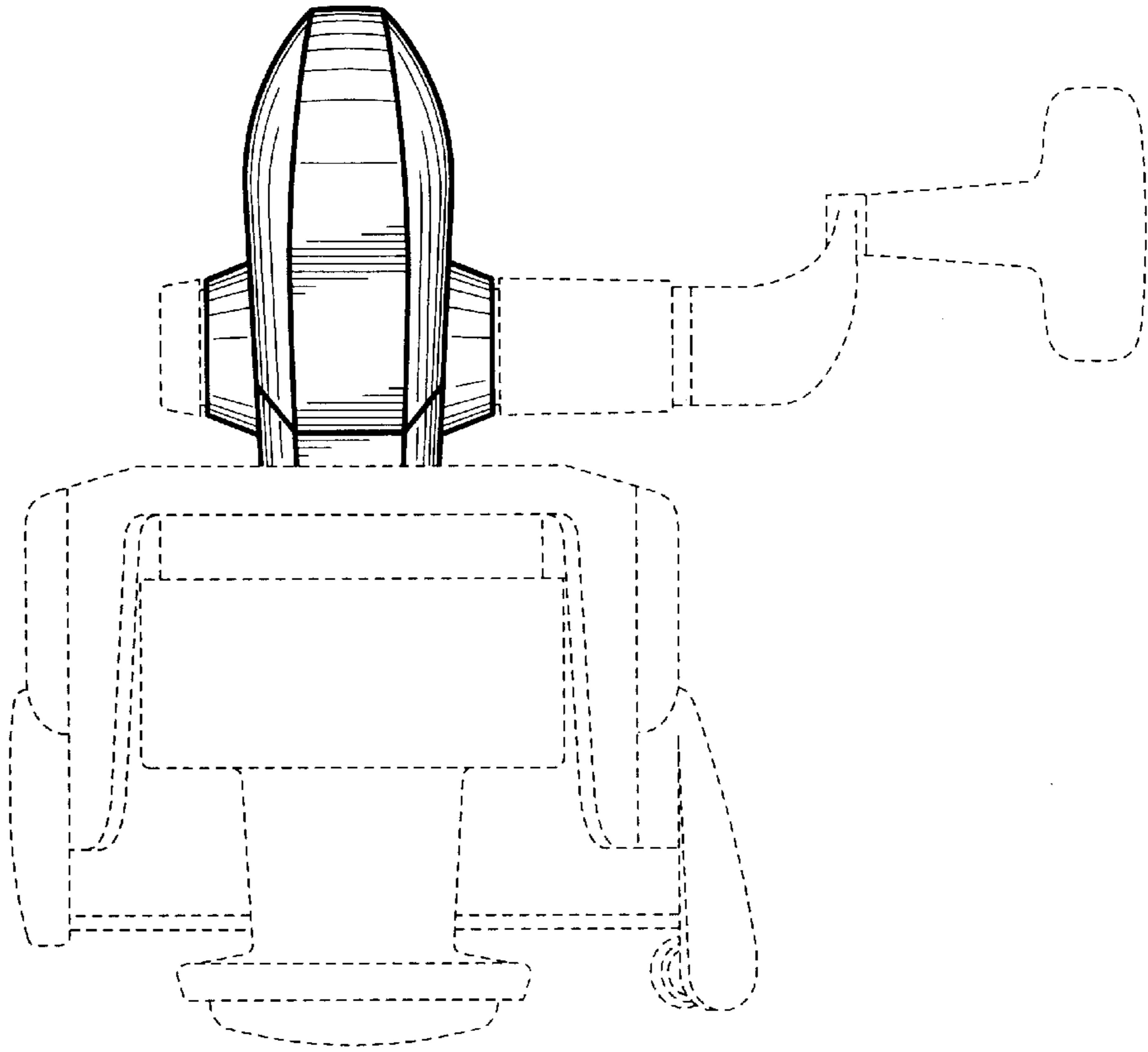


FIG. 11

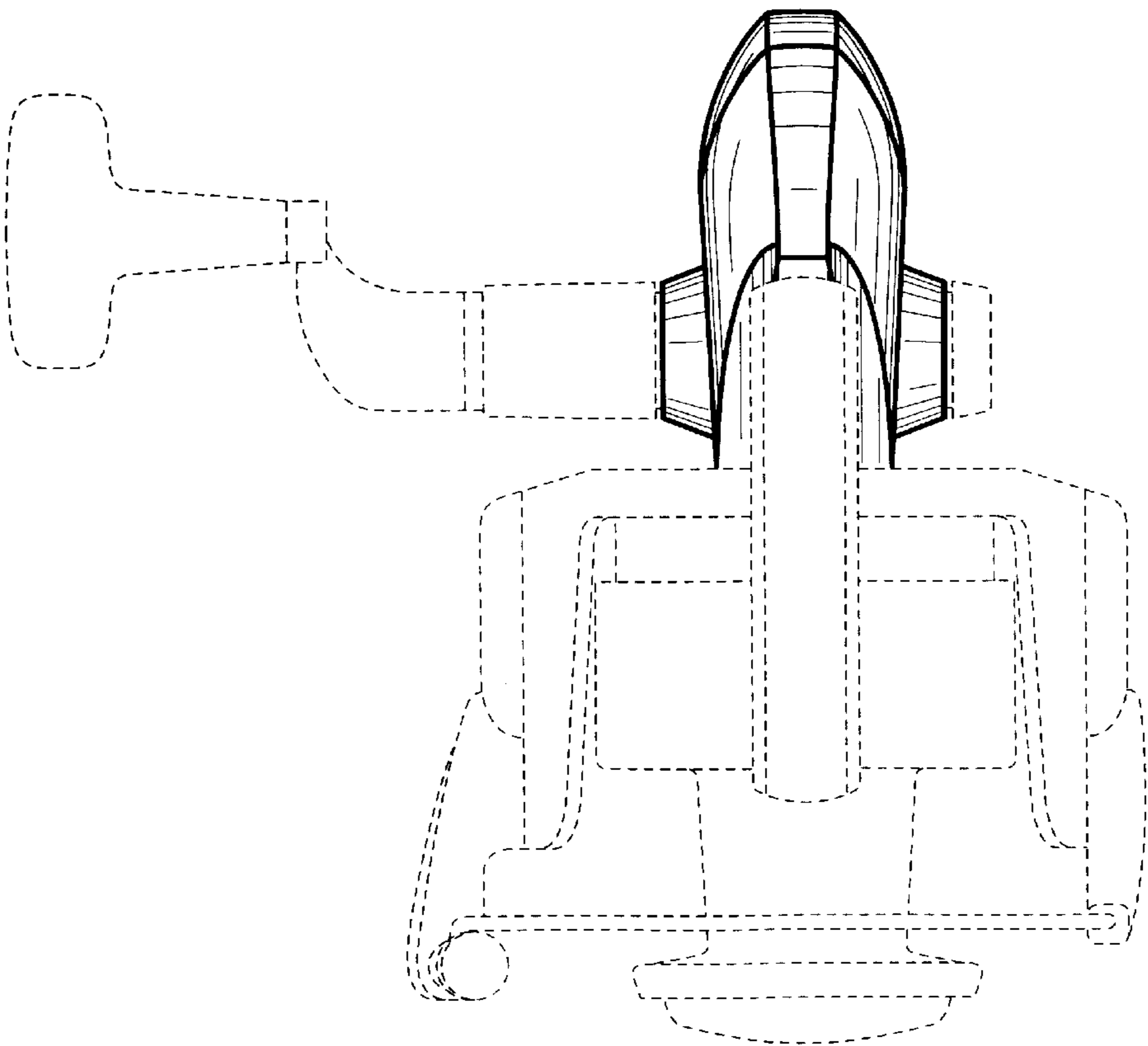


FIG. 13

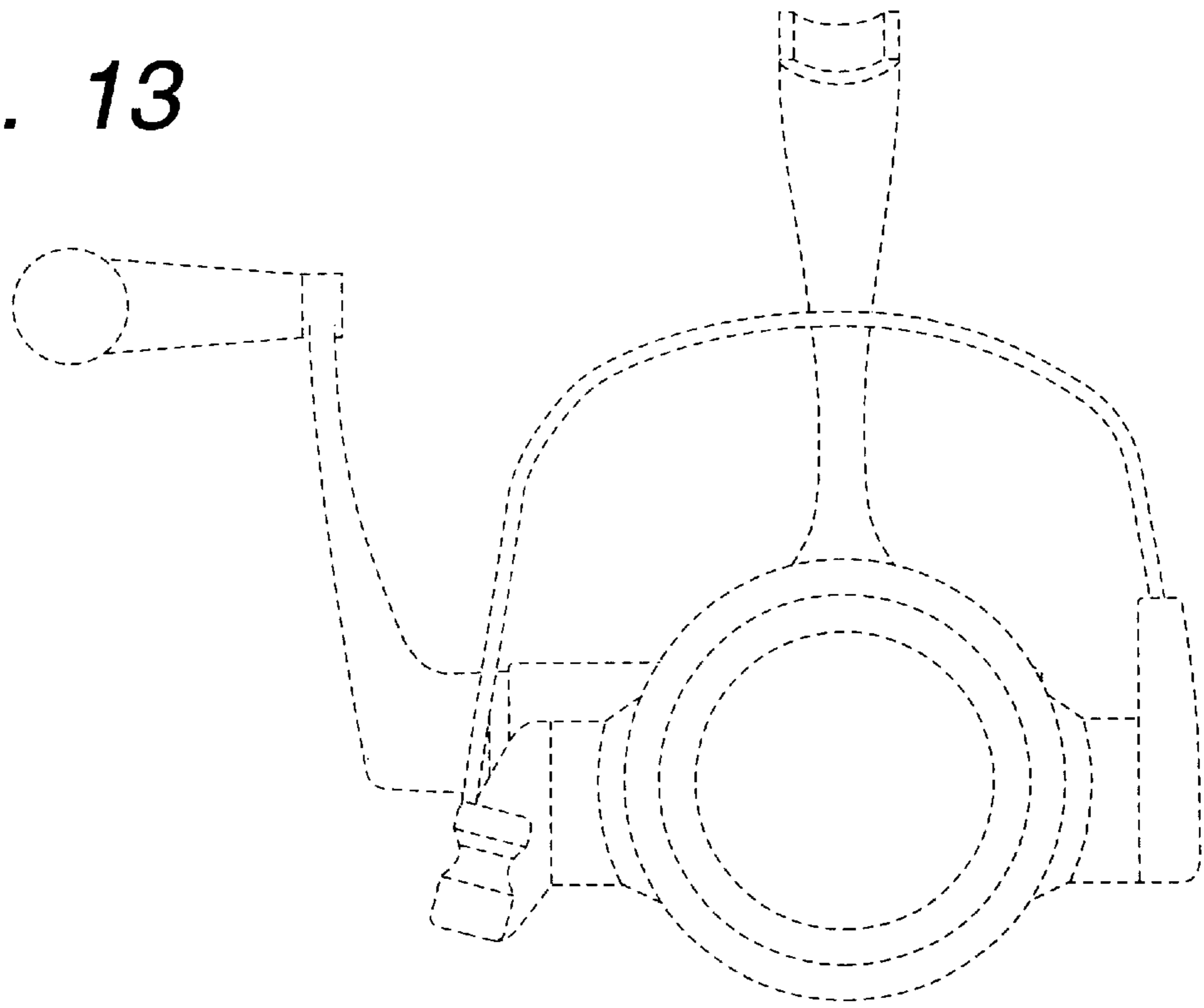


FIG. 14

