



US00D467296S

(12) **United States Design Patent**
Chan

(10) **Patent No.:** **US D467,296 S**

(45) **Date of Patent:** **** Dec. 17, 2002**

(54) **SOLAR PORTABLE LITE WITH MOSQUITO REPELLER**

D319,317 S * 8/1991 Tung D26/42
D326,305 S * 5/1992 Wah D22/123
D338,944 S * 8/1993 Poon D22/123

(75) Inventor: **Man-Yan Chan**, Kowloon (HK)

* cited by examiner

(73) Assignee: **Sunflower Holdings Ltd.**, Tortola (VG)

Primary Examiner—Catherine R. Oliver

(**) Term: **14 Years**

(74) *Attorney, Agent, or Firm*—Alix, Yale & Ristas, LLP

(21) Appl. No.: **29/155,928**

(57) **CLAIM**

(22) Filed: **Feb. 20, 2002**

The ornamental design for a solar portable lite with mosquito repeller, as shown and described.

(51) **LOC (7) Cl.** **22-05**

DESCRIPTION

(52) **U.S. Cl.** **D22/122**

(58) **Field of Search** D22/119–125;
D26/38, 42; D3/903; 43/112, 113; 362/157,
158, 183, 184

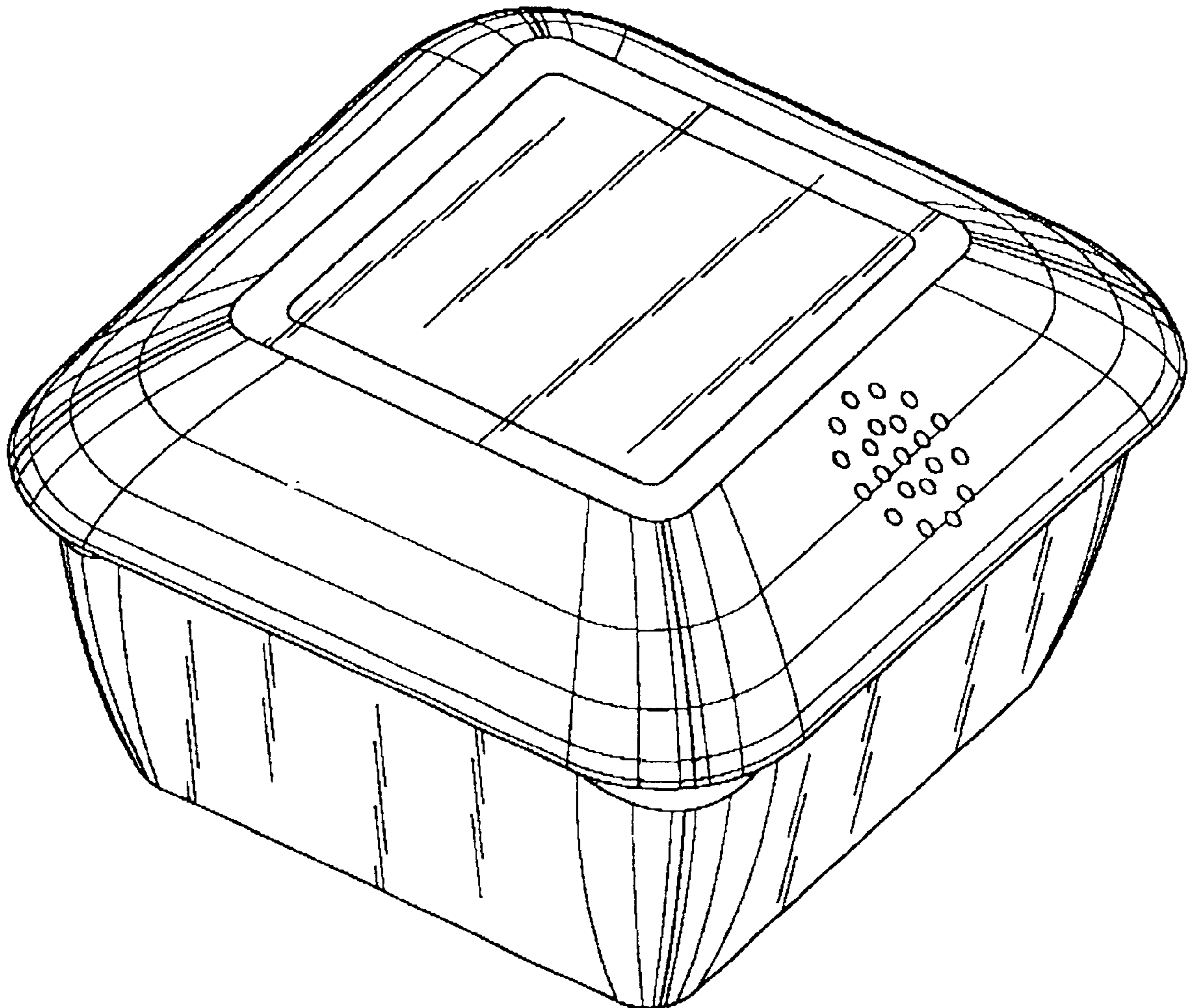
FIG. 1 is a front perspective view of a solar portable lite with mosquito repeller showing my new design;
FIG. 2 is a front elevational view thereof;
FIG. 3 is a top plan view thereof;
FIG. 4 is a left side elevational view thereof;
FIG. 5 is a right side elevational view thereof;
FIG. 6 is a rear elevational view thereof; and,
FIG. 7 is a bottom plan view thereof.

(56) **References Cited**

U.S. PATENT DOCUMENTS

D145,195 S * 7/1946 Beckwith D3/903
D241,638 S * 9/1976 Holt D22/120

1 Claim, 4 Drawing Sheets



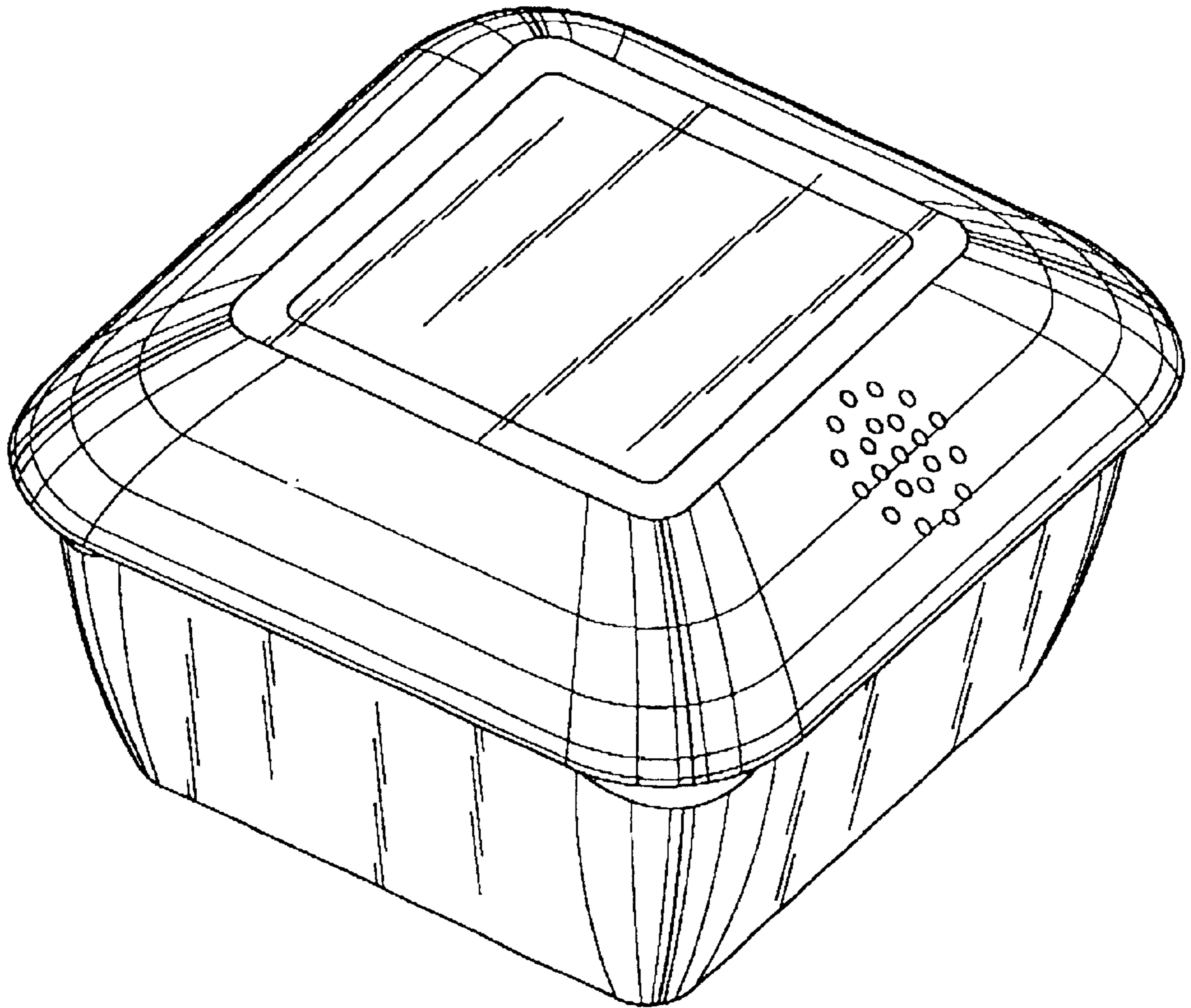


FIG. 1

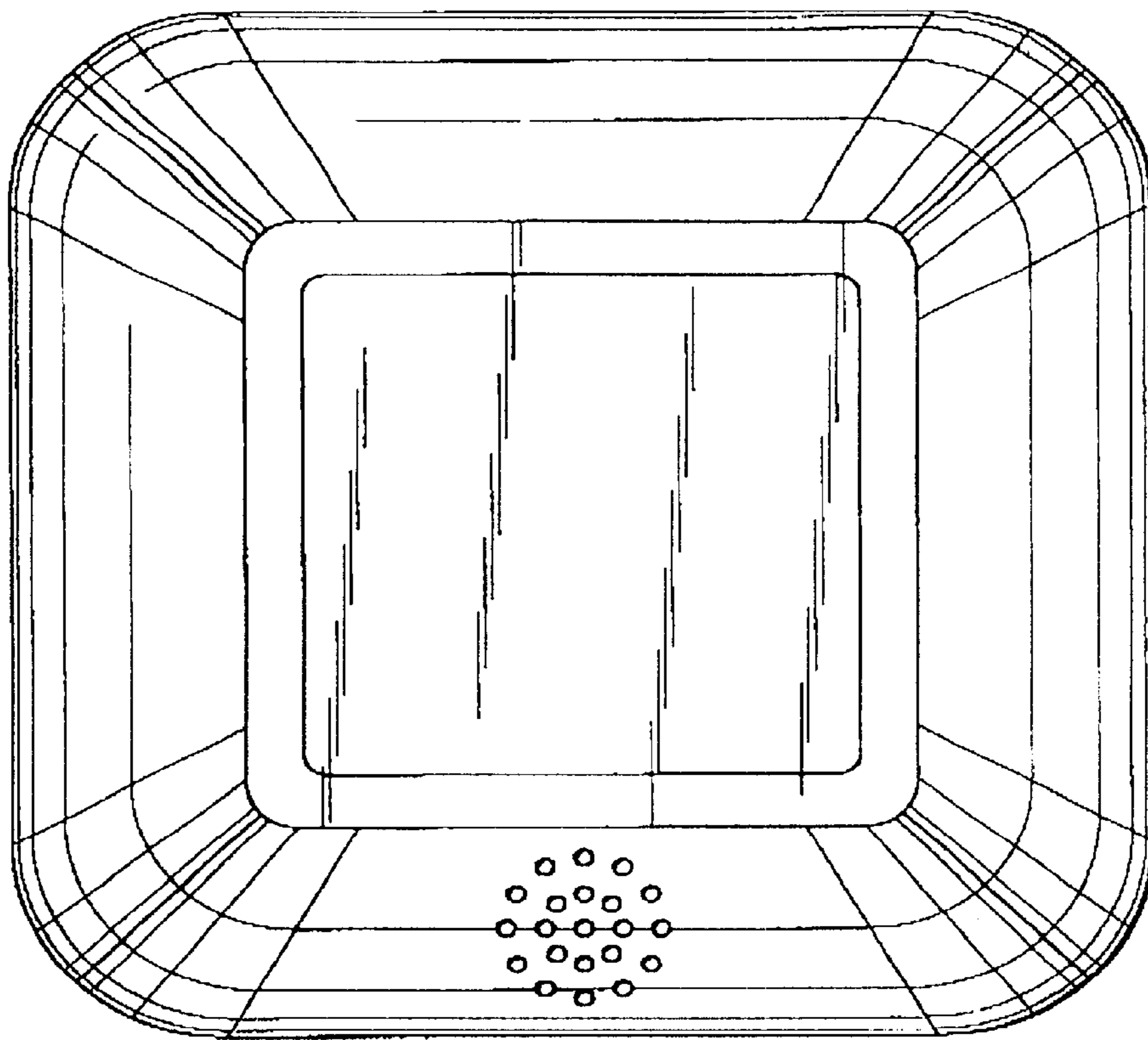


FIG. 3

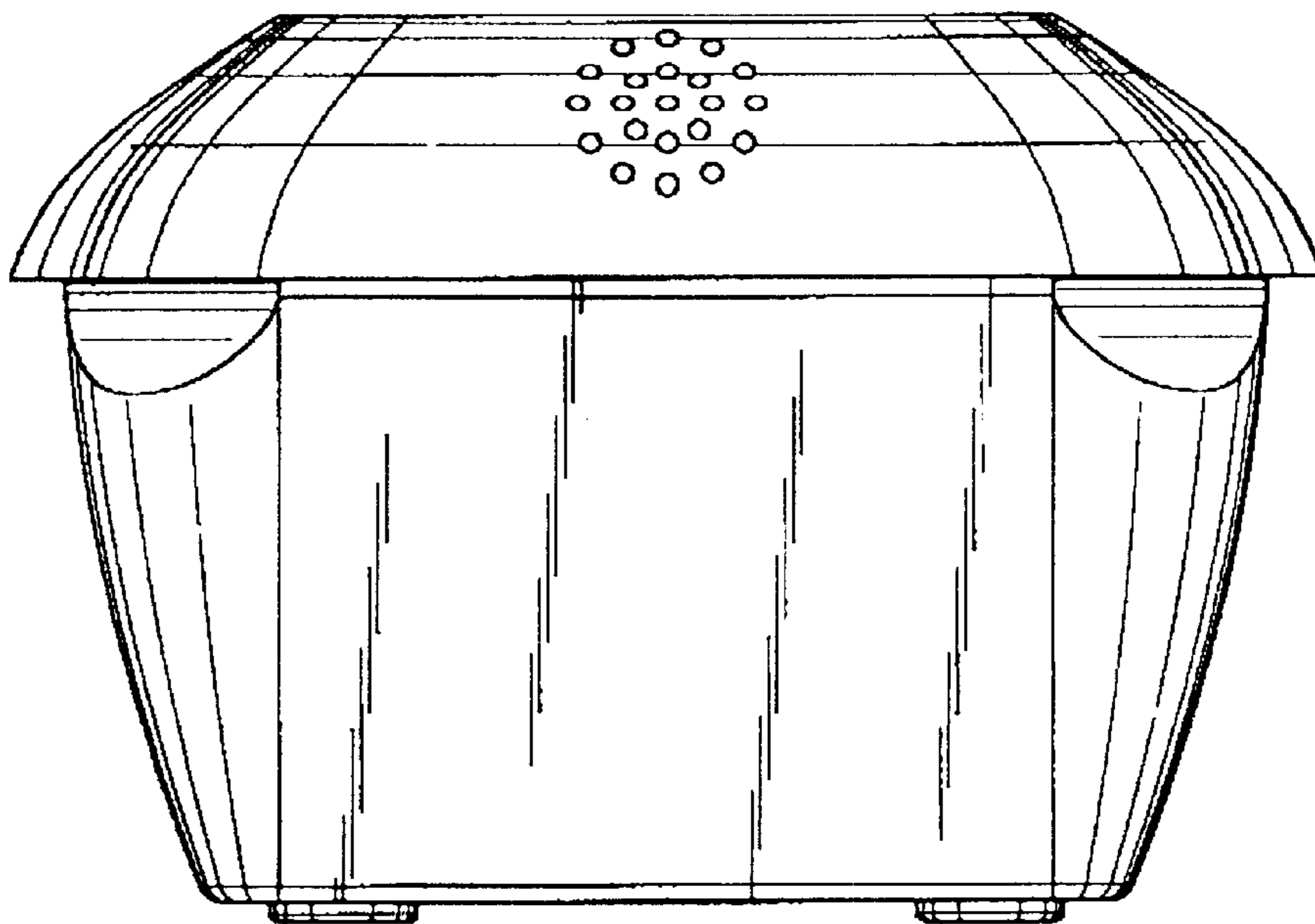


FIG. 2

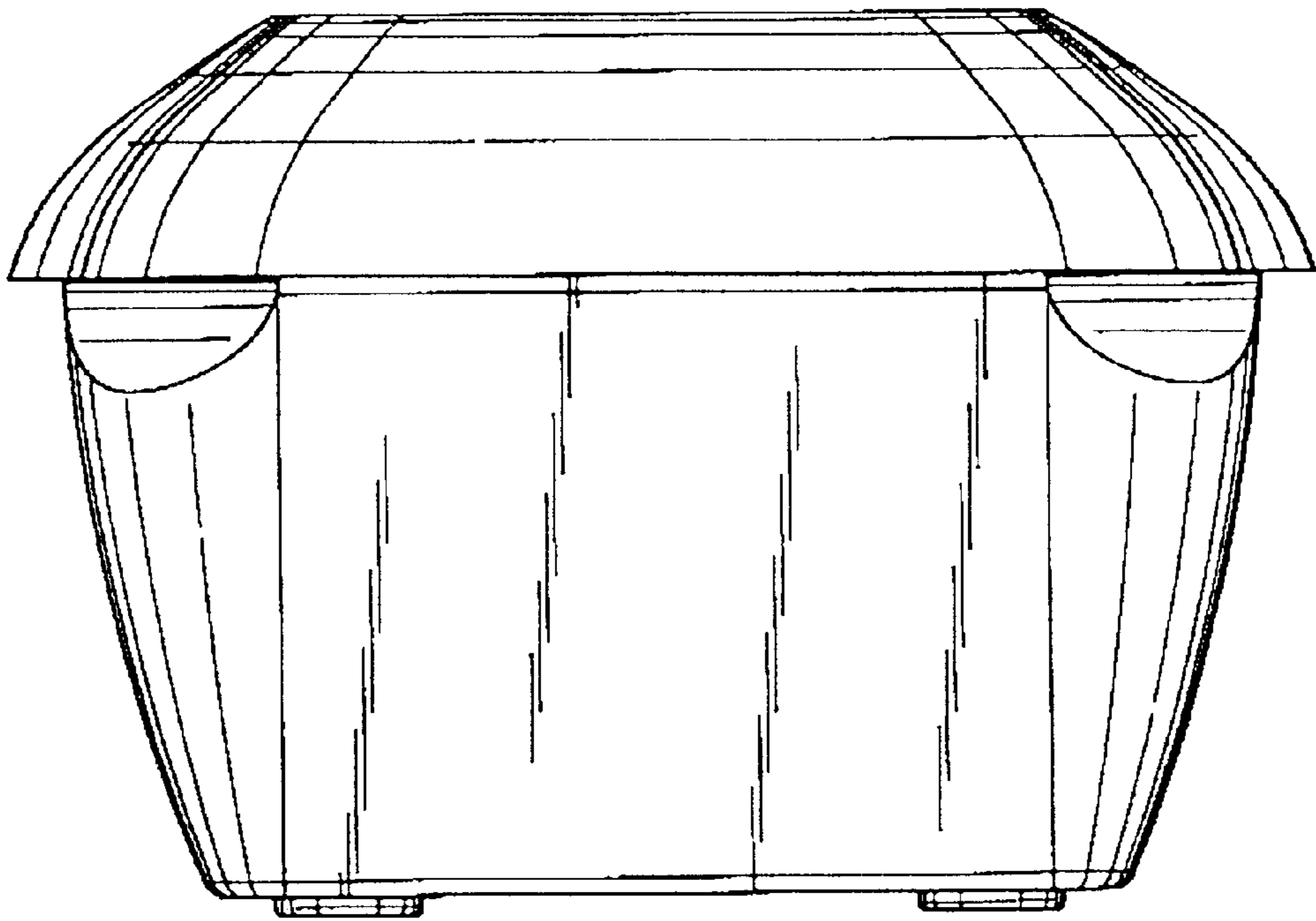


FIG. 4

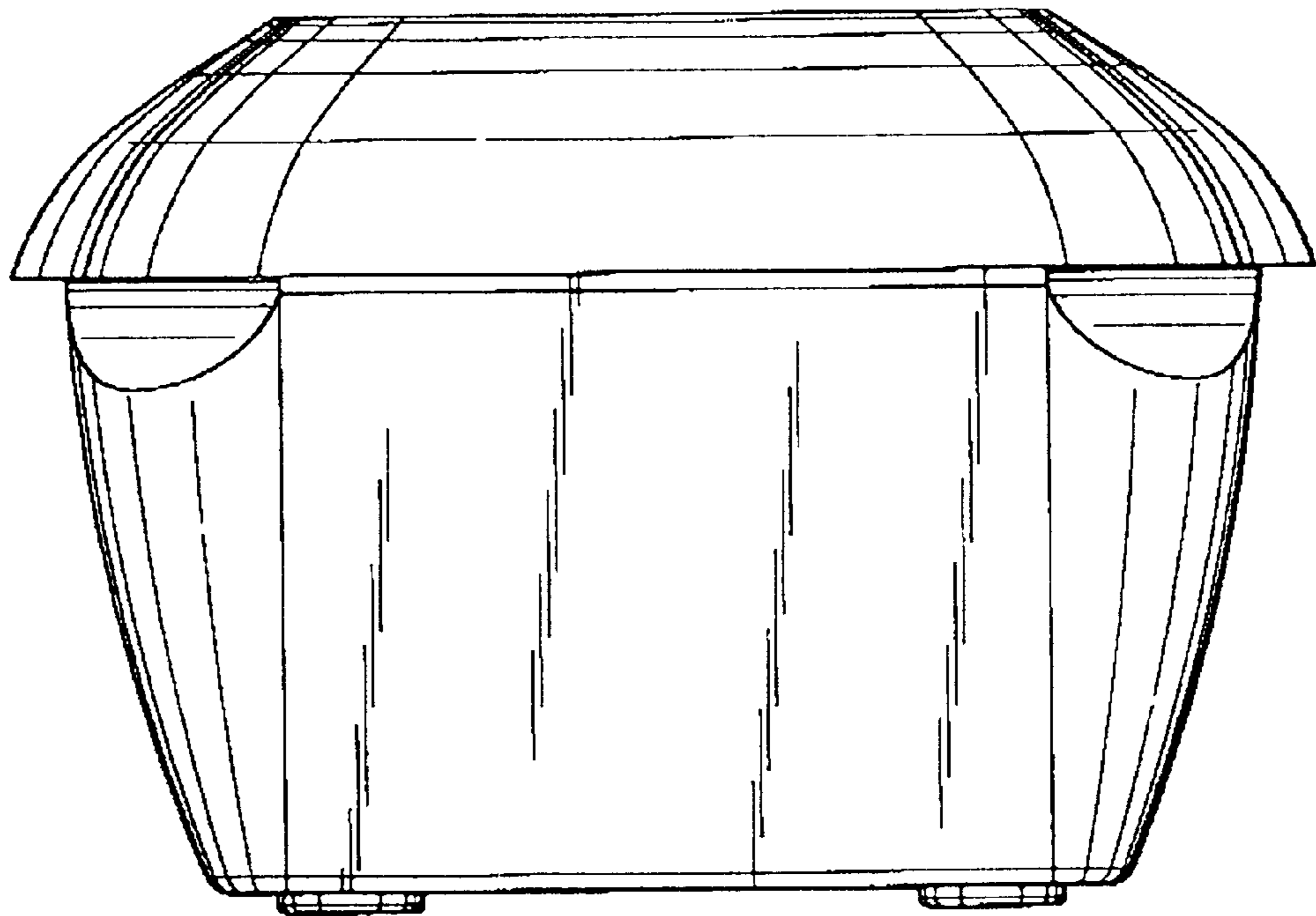


FIG. 5

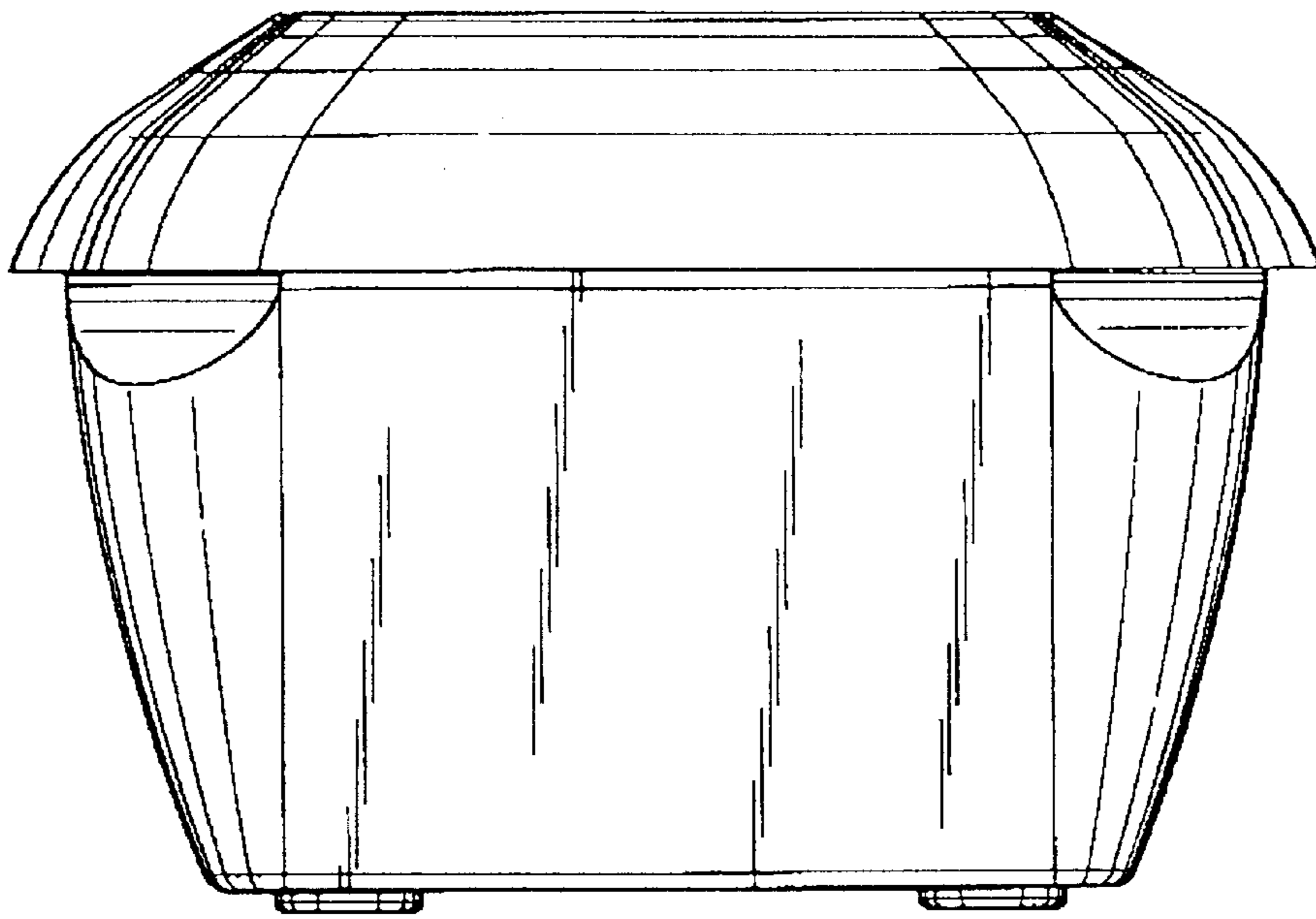


FIG. 6

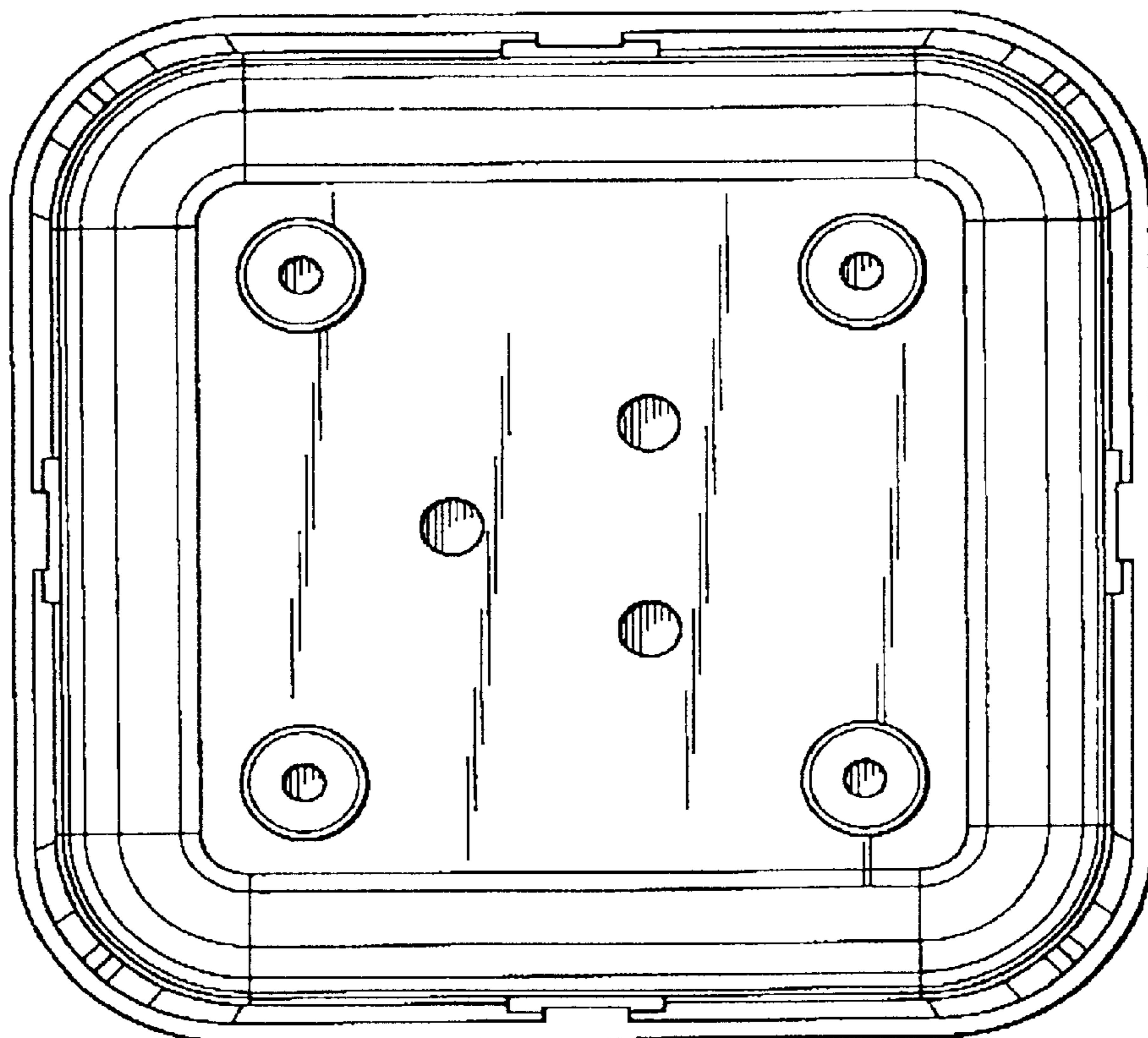


FIG. 7