



US00D467291S

(12) **United States Design Patent**
Ngon

(10) **Patent No.:** **US D467,291 S**

(45) **Date of Patent:** **** Dec. 17, 2002**

(54) **GOLF PUTTER HEAD**

(75) Inventor: **Chin H. Ngon**, Tempe, AZ (US)

(73) Assignee: **Karsten Manufacturing Corporation**,
Phoenix, AZ (US)

(**) Term: **14 Years**

(21) Appl. No.: **29/154,156**

(22) Filed: **Jan. 18, 2002**

(51) **LOC (7) Cl.** **21-02**

(52) **U.S. Cl.** **D21/743**

(58) **Field of Search** D21/736-746;
473/251-256, 324, 327-328, 340, 341

(56) **References Cited**

U.S. PATENT DOCUMENTS

D202,715 S	11/1965	Solheim	
D203,512 S	1/1966	Solheim	
D213,509 S	3/1969	Solheim	
D239,951 S	* 5/1976	Carrier D21/742
D357,291 S	* 4/1995	Solheim D21/742
D375,768 S	11/1996	Solheim	
D410,267 S	* 5/1999	Solheim et al. D21/736
D428,086 S	7/2000	Solheim	
D454,169 S	* 3/2002	Solheim D21/736

* cited by examiner

Primary Examiner—Mitchell Siegel

(74) *Attorney, Agent, or Firm*—Darrell F. Marquette

(57) **CLAIM**

I claim the ornamental design for a golf putter head, as shown and described.

DESCRIPTION

FIG. 1 is perspective view of a golf putter head showing my new design;
 FIG. 2 is a bottom view of the golf putter head shown in FIG. 1;
 FIG. 3 is a top plan view of the golf putter head shown in FIG. 1;
 FIG. 4 is a rear elevational view of the golf putter head shown in FIG. 1;
 FIG. 5 is a toe end view of the golf putter head shown in FIG. 1;
 FIG. 6 is a front elevational view of the golf putter head shown in FIG. 1; and,
 FIG. 7 is a heel end view of the golf putter head shown in FIG. 1.
 The broken line showing of the shaft is for illustrative purposes only and forms no part of the claimed design.

1 Claim, 1 Drawing Sheet

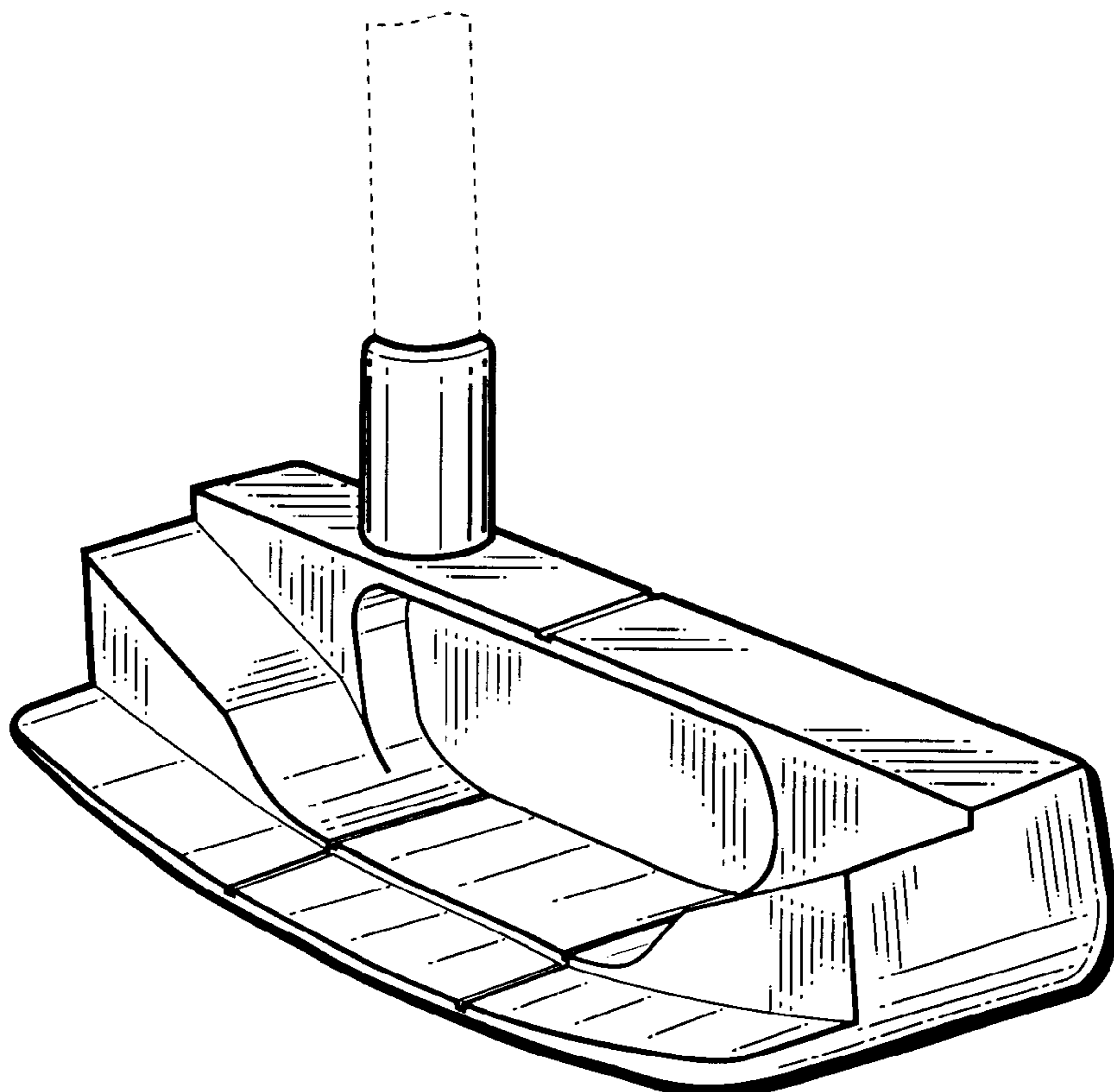


Fig.1

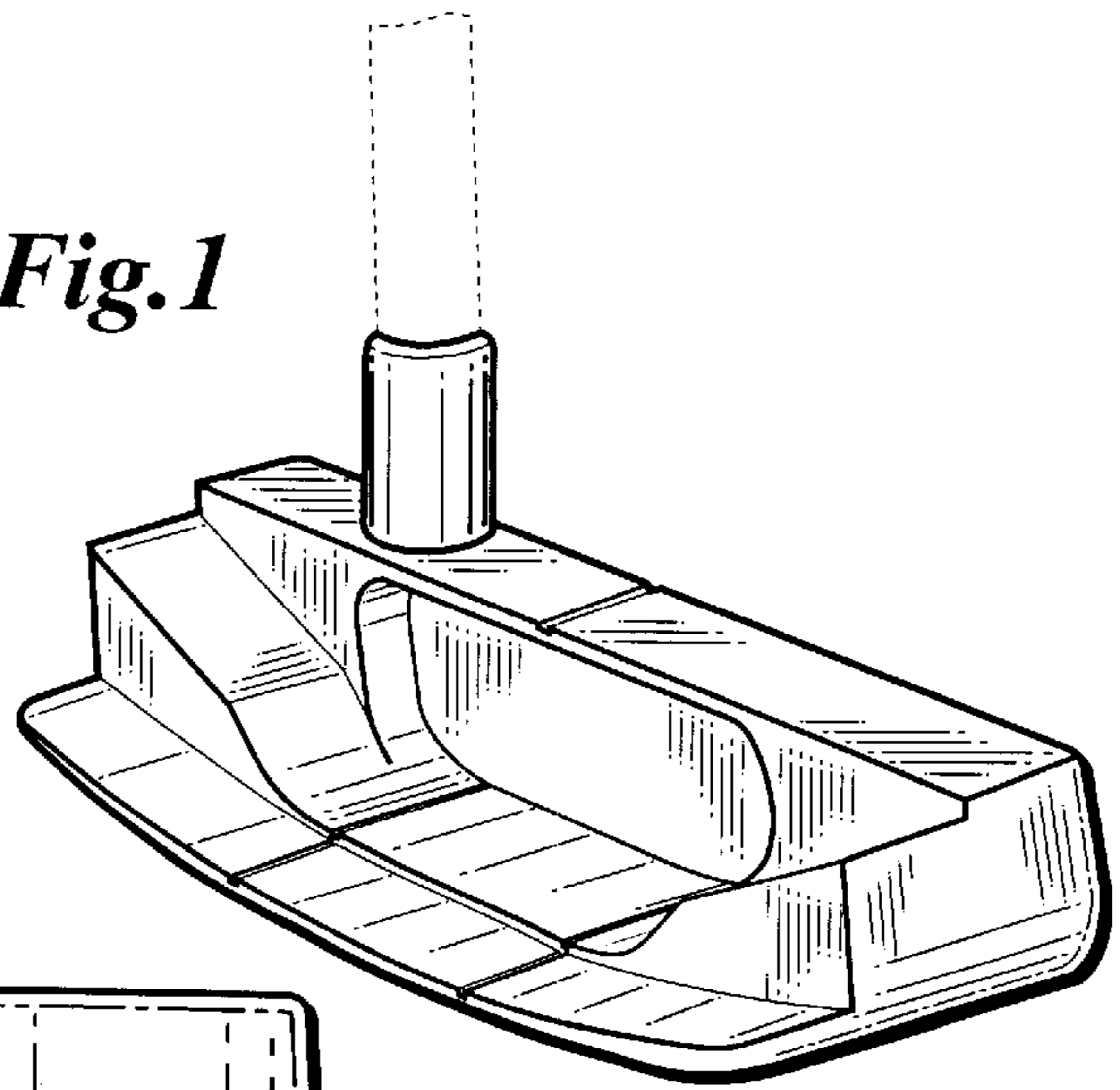


Fig.2

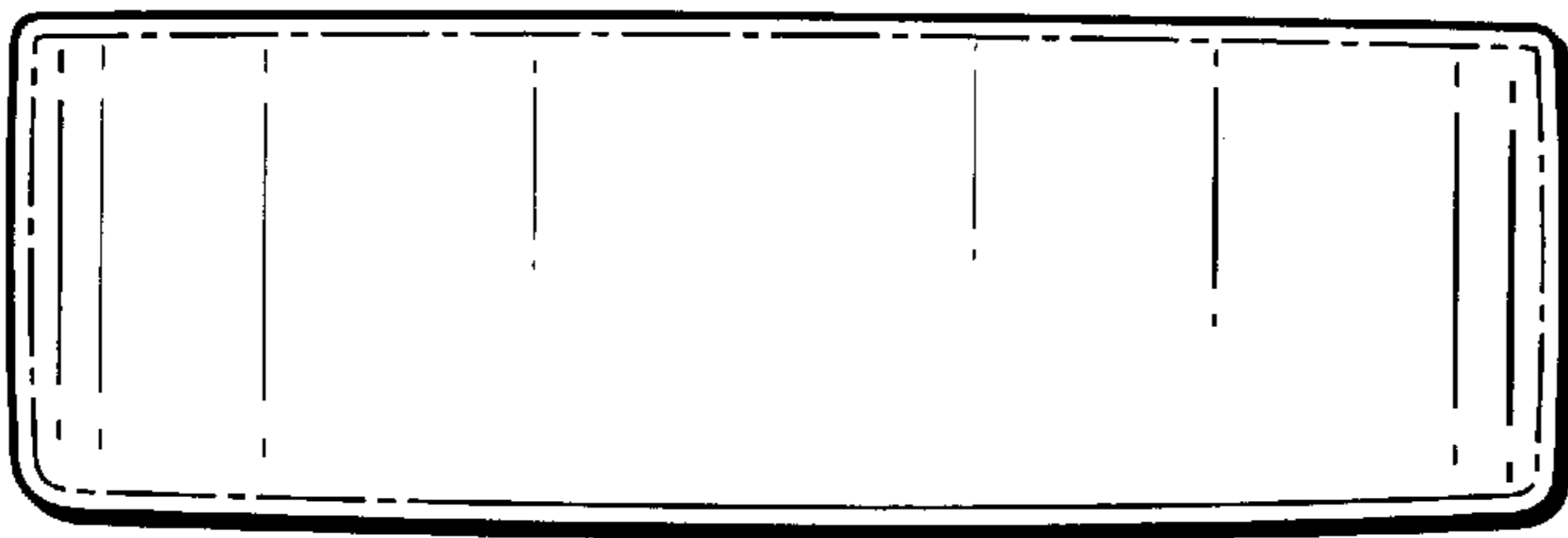


Fig.3

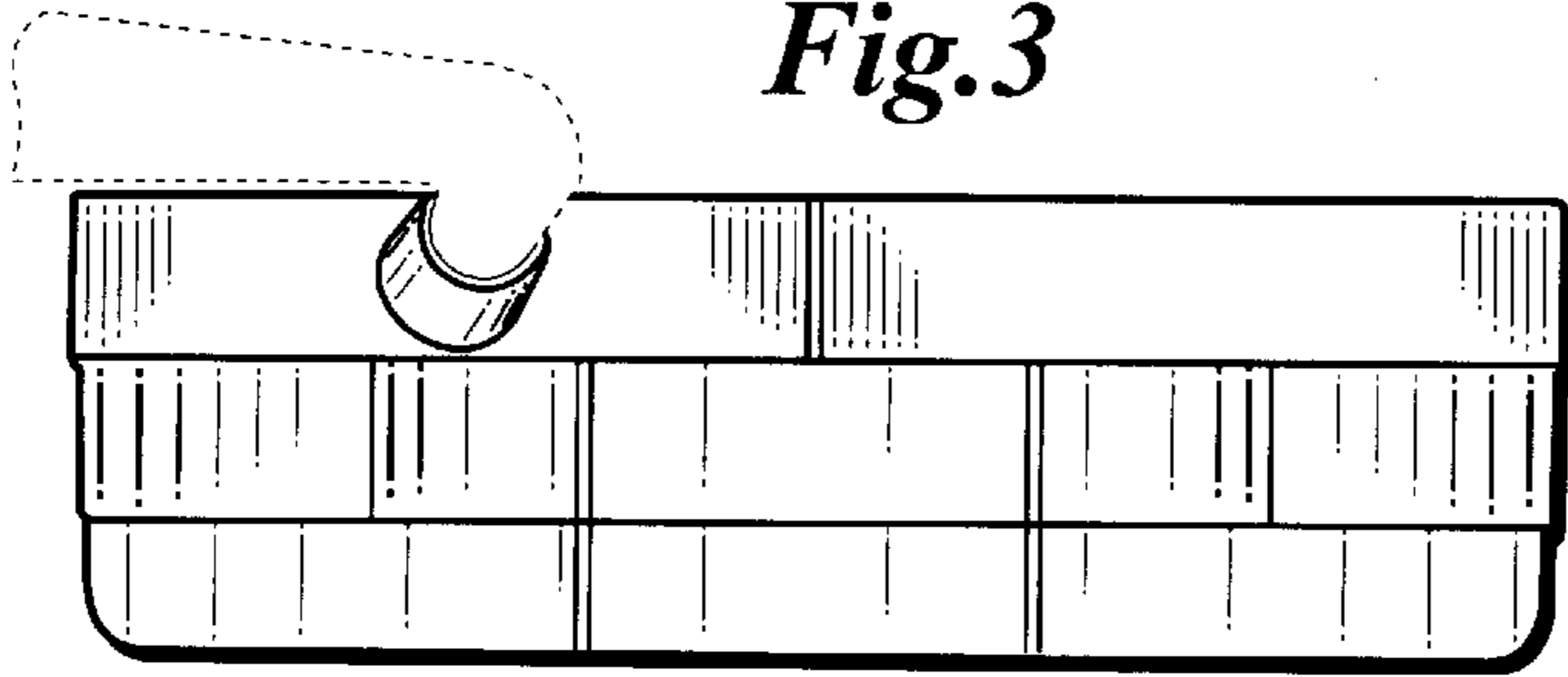


Fig.4

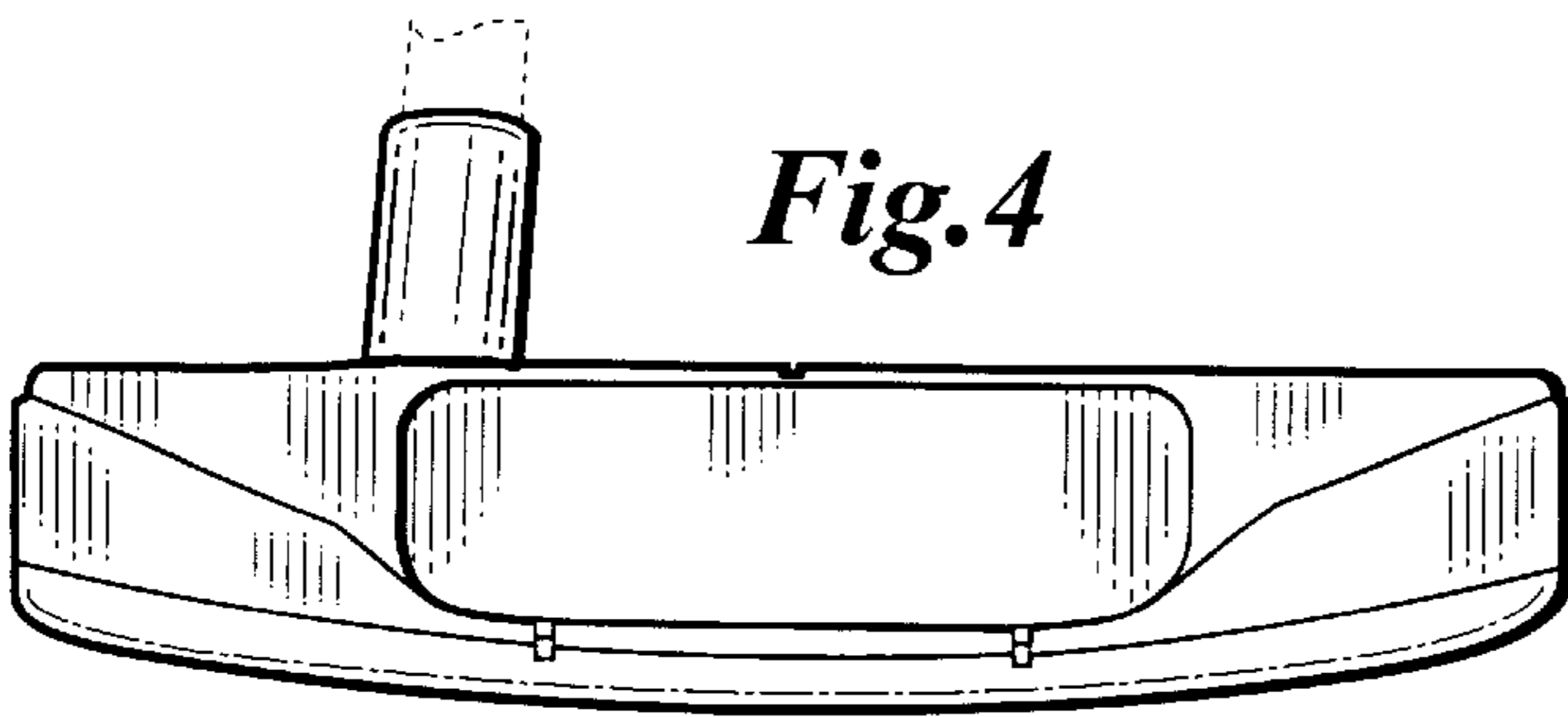


Fig.5

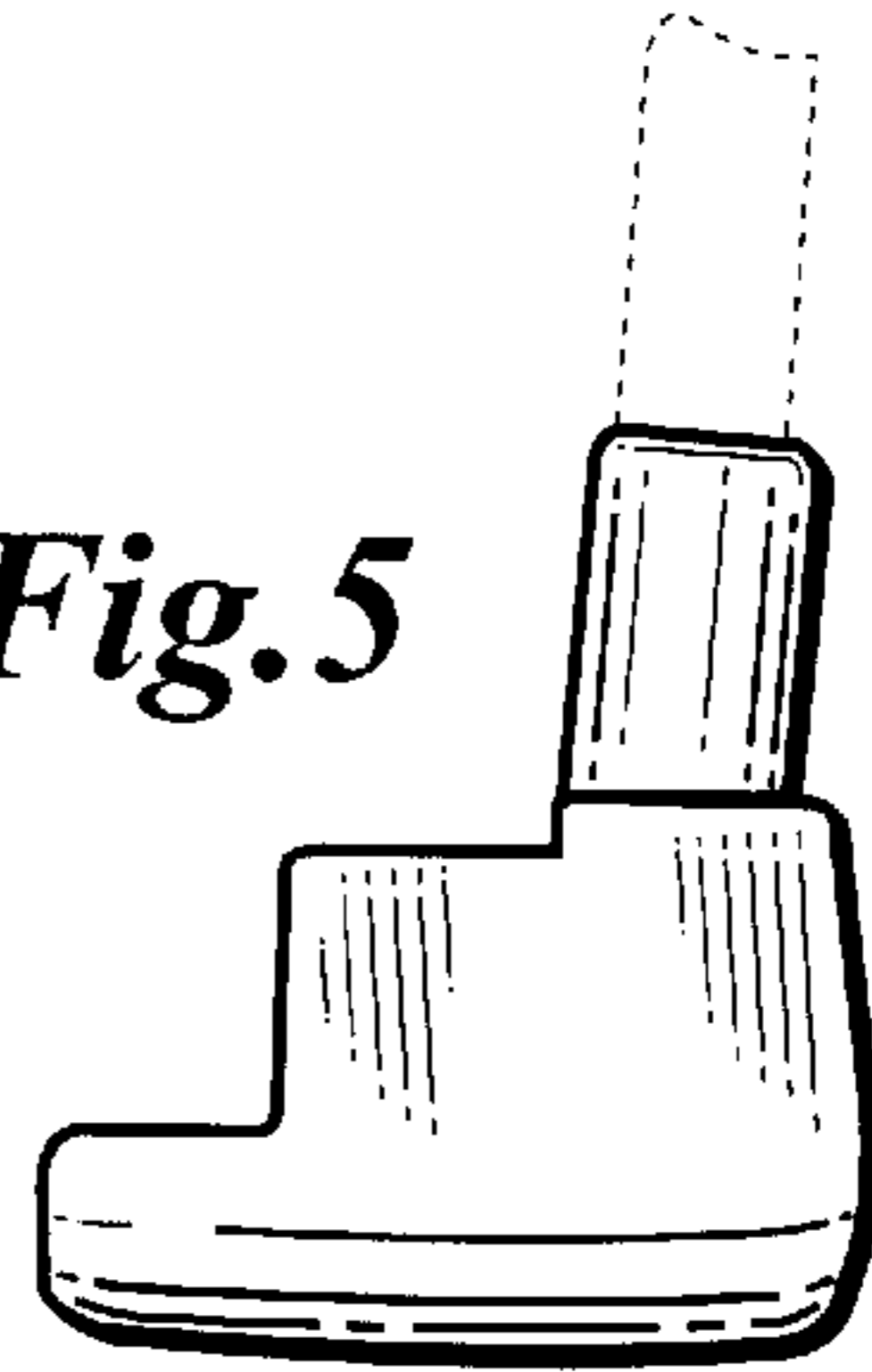


Fig.6

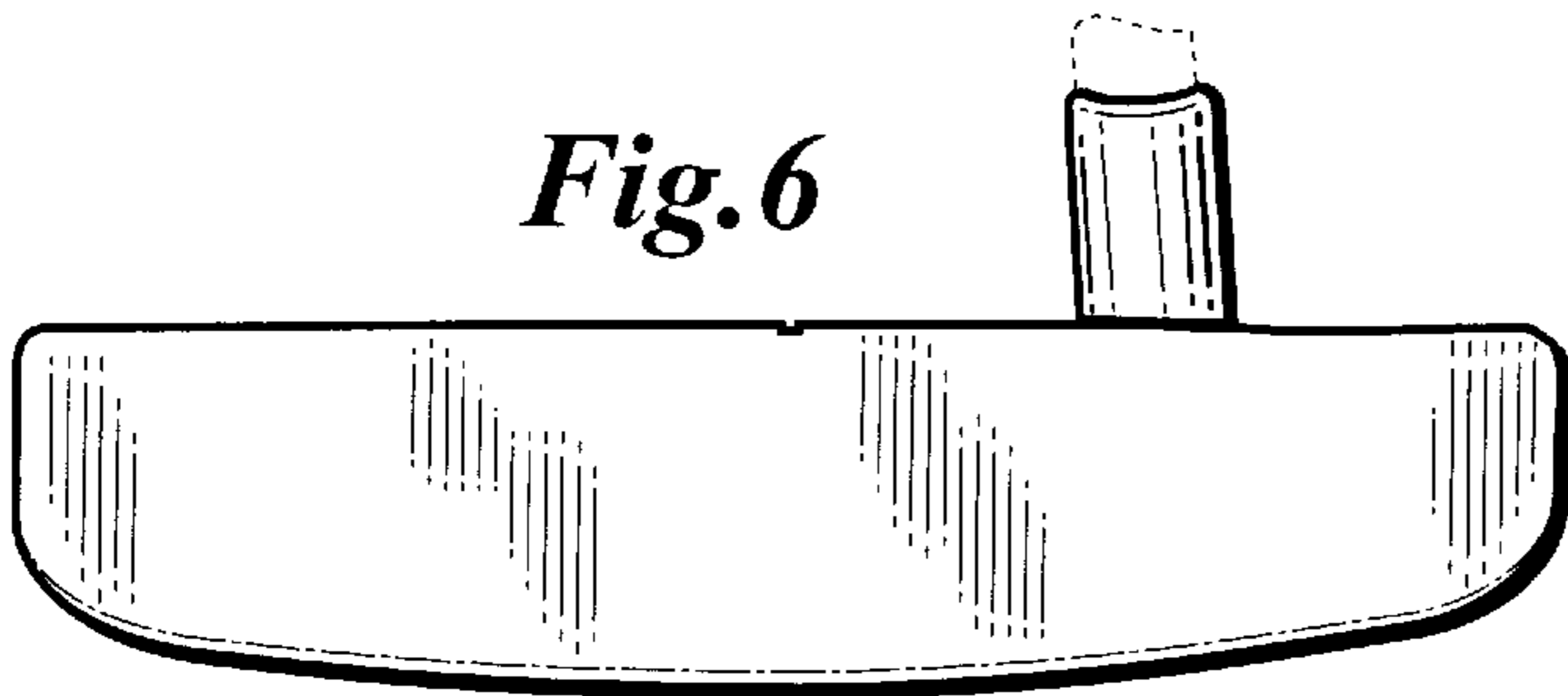


Fig.7

