



US00D467284S

(12) **United States Design Patent**
Yamanaka

(10) **Patent No.:** **US D467,284 S**

(45) **Date of Patent:** **** Dec. 17, 2002**

(54) **SLOT MACHINE**

(75) Inventor: **Misao Yamanaka**, Tokyo (JP)

(73) Assignee: **Konami Corporation**, Tokyo (JP)

(**) Term: **14 Years**

(21) Appl. No.: **29/156,658**

(22) Filed: **Mar. 6, 2002**

(30) **Foreign Application Priority Data**

Sep. 7, 2001 (JP) 2001-026403

(51) **LOC (7) Cl.** **21-03**

(52) **U.S. Cl.** **D21/370**

(58) **Field of Search** D21/369, 370,
D21/374, 375; 463/13, 17, 20, 46, 47

(56) **References Cited**

U.S. PATENT DOCUMENTS

5,167,413 A * 12/1992 Fulton 463/13

D378,604 S * 3/1997 Brettschneider D21/370

D419,201 S * 1/2000 De Haas D21/370

6,227,970 B1 * 5/2001 Shimizu et al. 463/17

6,334,612 B1 * 1/2002 Wurz et al. 463/20

* cited by examiner

Primary Examiner—Sandra L. Morris

(74) *Attorney, Agent, or Firm*—Sughrue Mion, PLLC

(57) **CLAIM**

The ornamental design for a slot machine, as shown.

DESCRIPTION

FIG. 1 is a perspective view of the top, front, and right side of a slot machine showing my new design;

FIG. 2 is a front elevational view thereof;

FIG. 3 is a left side elevational view thereof;

FIG. 4 is a right side elevational view thereof;

FIG. 5 is a rear elevational view thereof;

FIG. 6 is a top plan view thereof; and,

FIG. 7 is a bottom plan view thereof.

1 Claim, 6 Drawing Sheets

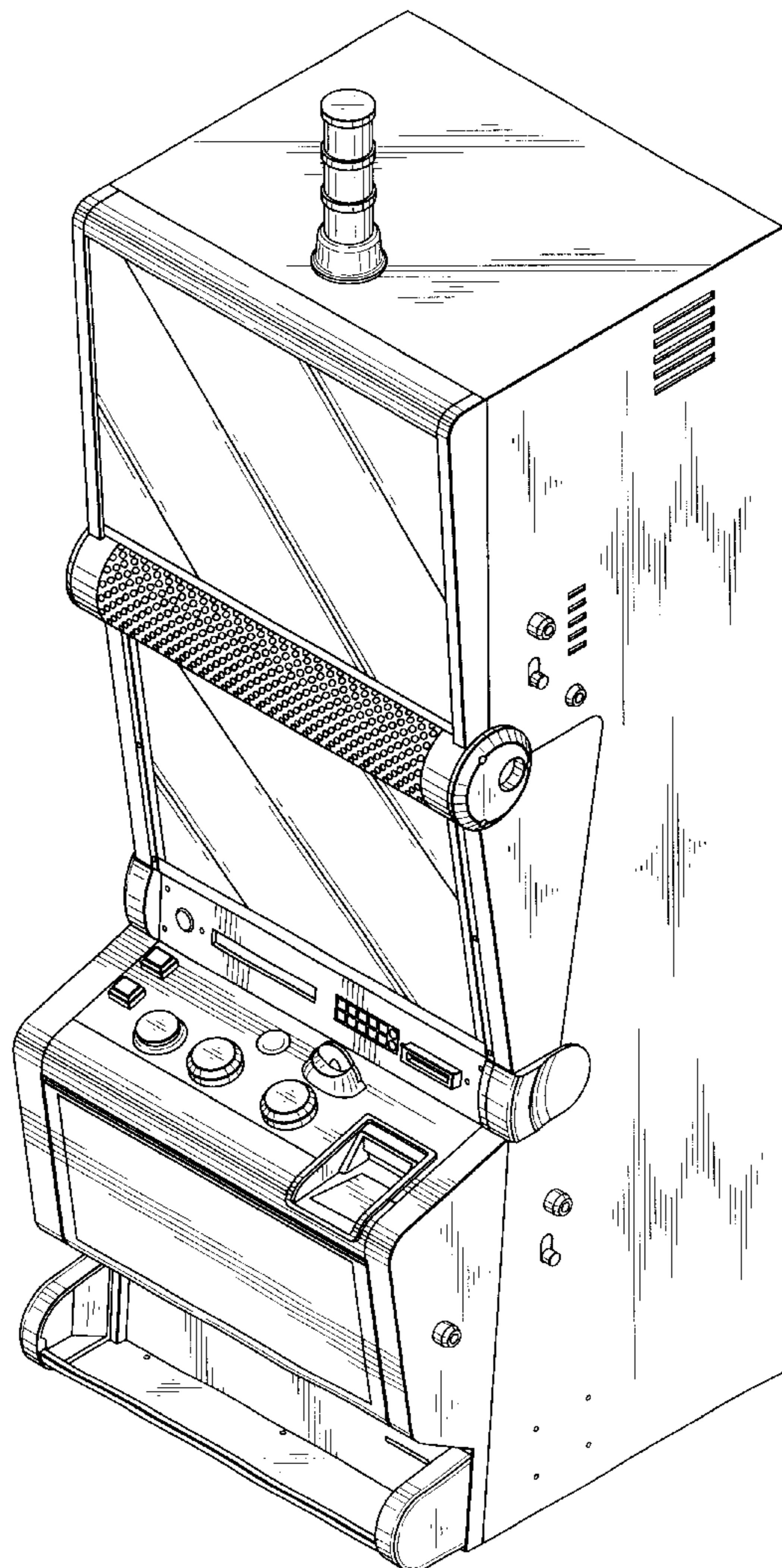


FIG. 1

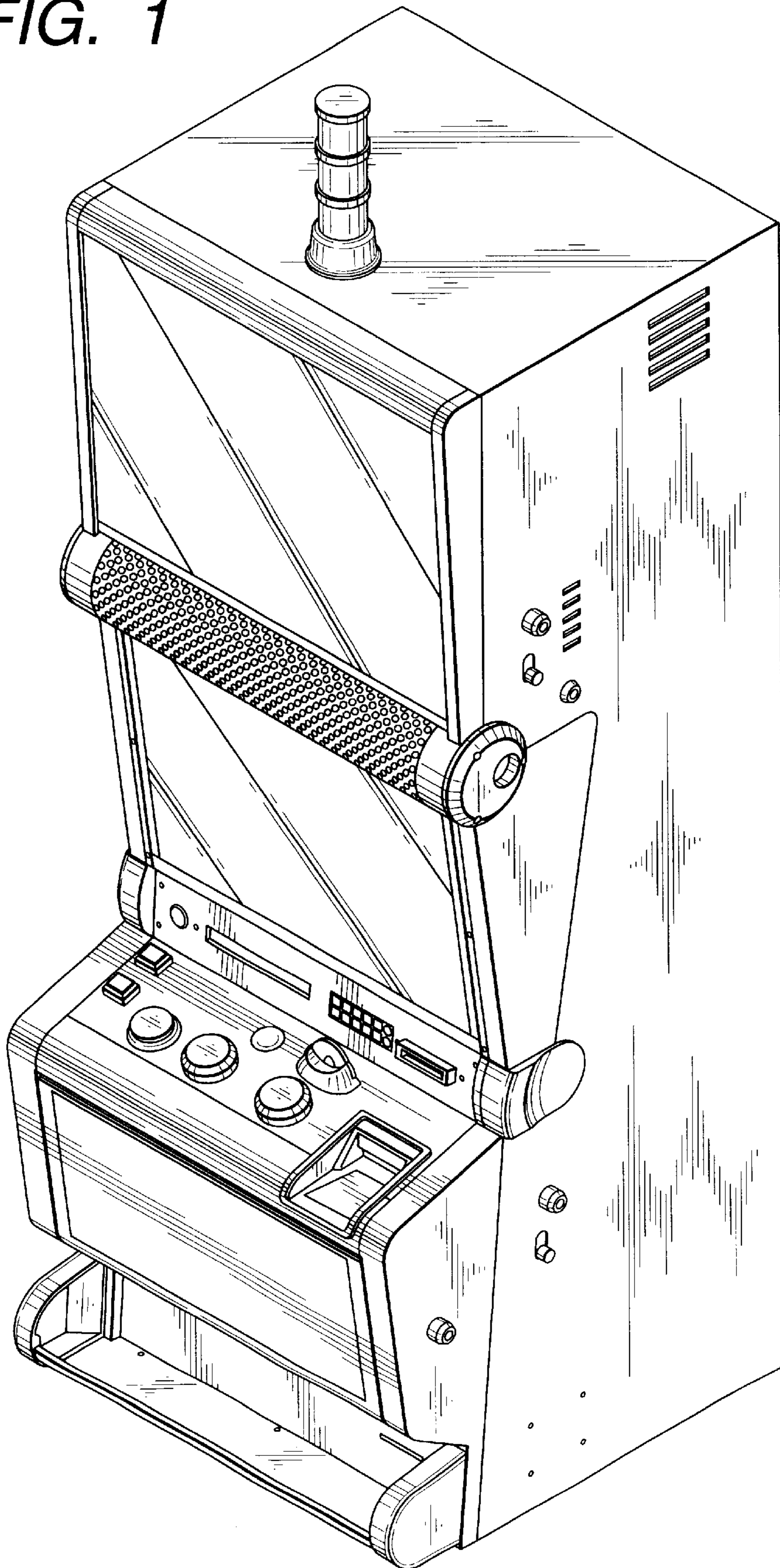


FIG. 2

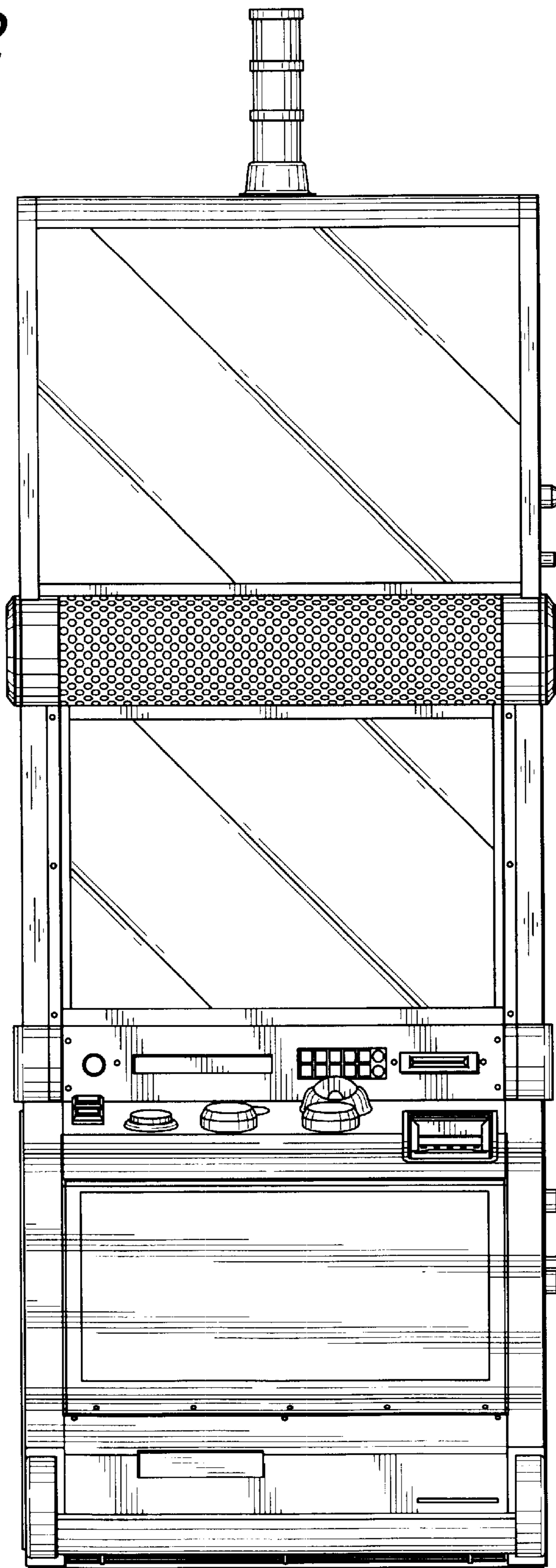


FIG. 3

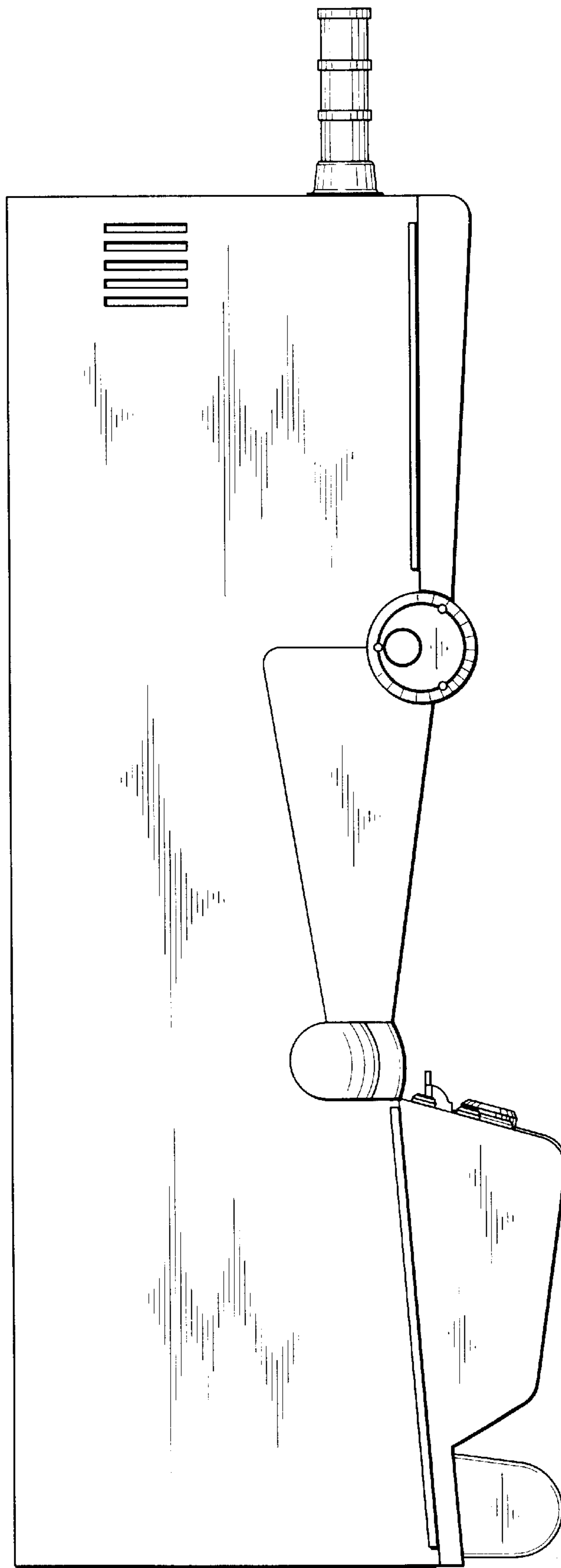


FIG. 4

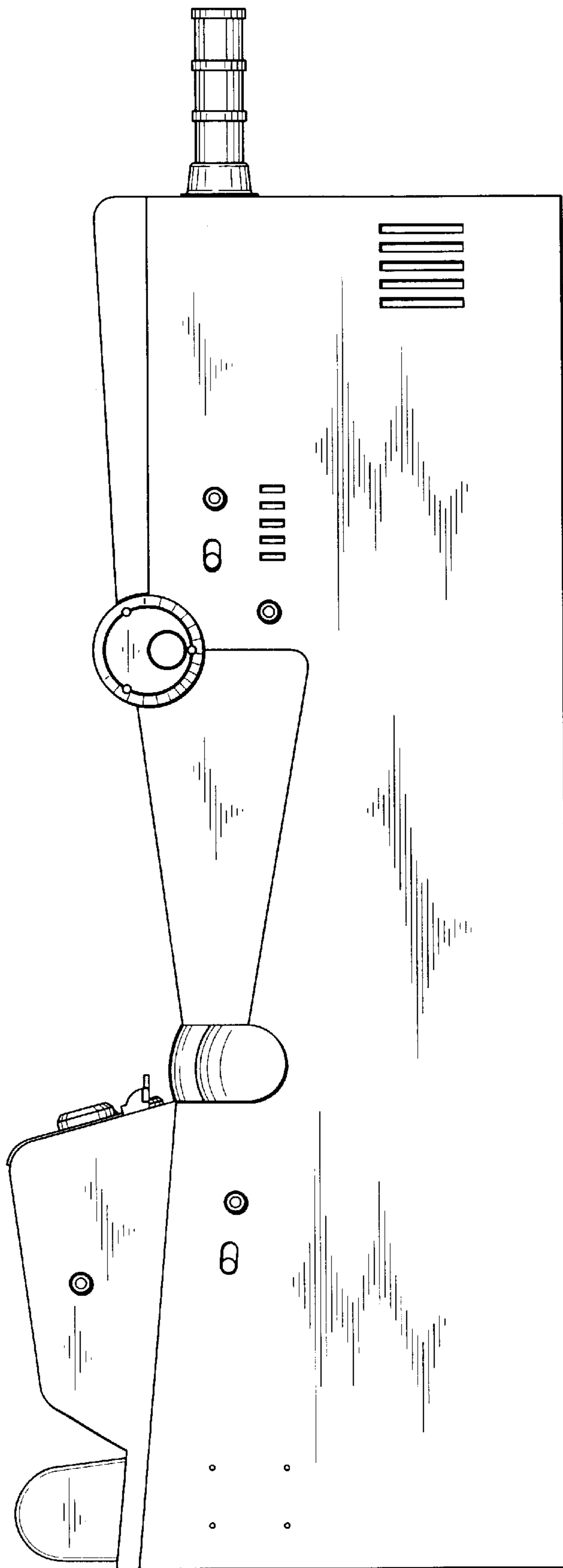


FIG. 5

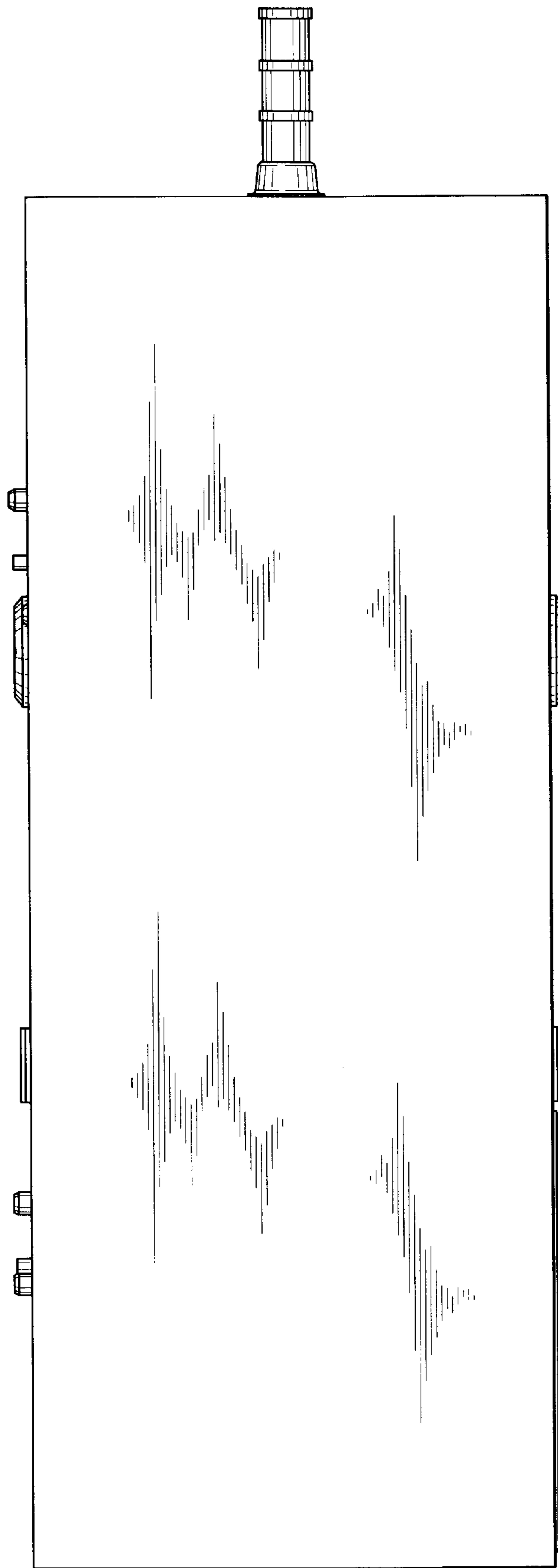


FIG. 6

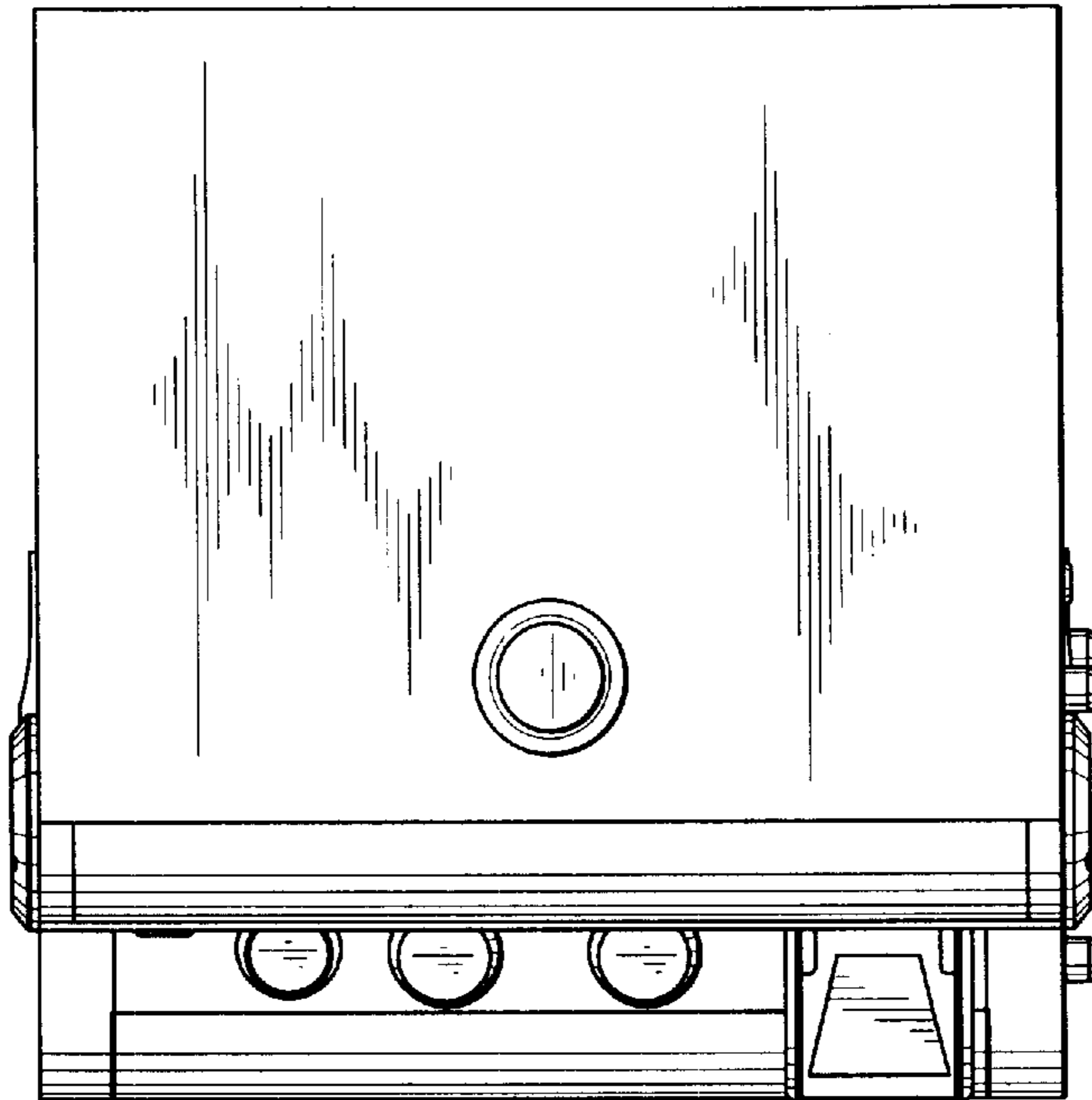


FIG. 7

