



US00D467278S

(12) **United States Design Patent**
Shamitoff

(10) **Patent No.:** **US D467,278 S**

(45) **Date of Patent:** **** Dec. 17, 2002**

(54) **COMPACT DISK CASE WRITING INSTRUMENT**

(76) **Inventor:** **Joel B. Shamitoff**, 141 Redhawk Ct.,
Brisbane, CA (US) 94005

(**) **Term:** **14 Years**

(21) **Appl. No.:** **29/123,938**

(22) **Filed:** **May 26, 2000**

Related U.S. Application Data

(63) Continuation of application No. 09/569,217, filed on May 11, 2000, which is a continuation-in-part of application No. 09/480,009, filed on Jan. 10, 2000, which is a continuation of application No. 09/434,828, filed on Nov. 5, 1999.

(51) **LOC (7) Cl.** **19-06**

(52) **U.S. Cl.** **D19/42; D19/46**

(58) **Field of Search** D19/35, 36, 41-51,
D19/53-58, 81-85; 401/6, 7, 88, 99, 52,
195, 209, 213

(56) **References Cited**

U.S. PATENT DOCUMENTS

3,168,072 A * 2/1965 Nitta 401/6
D302,985 S * 8/1989 Vinck D19/41

D335,215 S * 5/1993 Stumpff D6/634
D344,759 S * 3/1994 Monzyk D19/46
5,544,741 A * 8/1996 Fantone et al. 206/308.1
5,803,251 A * 9/1998 Gartz 206/310
5,944,180 A * 8/1999 Koh et al. 206/308.1
D440,108 S * 4/2001 Derman D6/632

FOREIGN PATENT DOCUMENTS

DE 3342982 * 6/1985

OTHER PUBLICATIONS

“Essential Opera”—CD released Feb. 1, 1992. Copy from internet @www.TowerRecords.com.*

* cited by examiner

Primary Examiner—Martie K. Holtje
(74) *Attorney, Agent, or Firm*—Fliesler Dubb Meyer & Lovejoy LLP

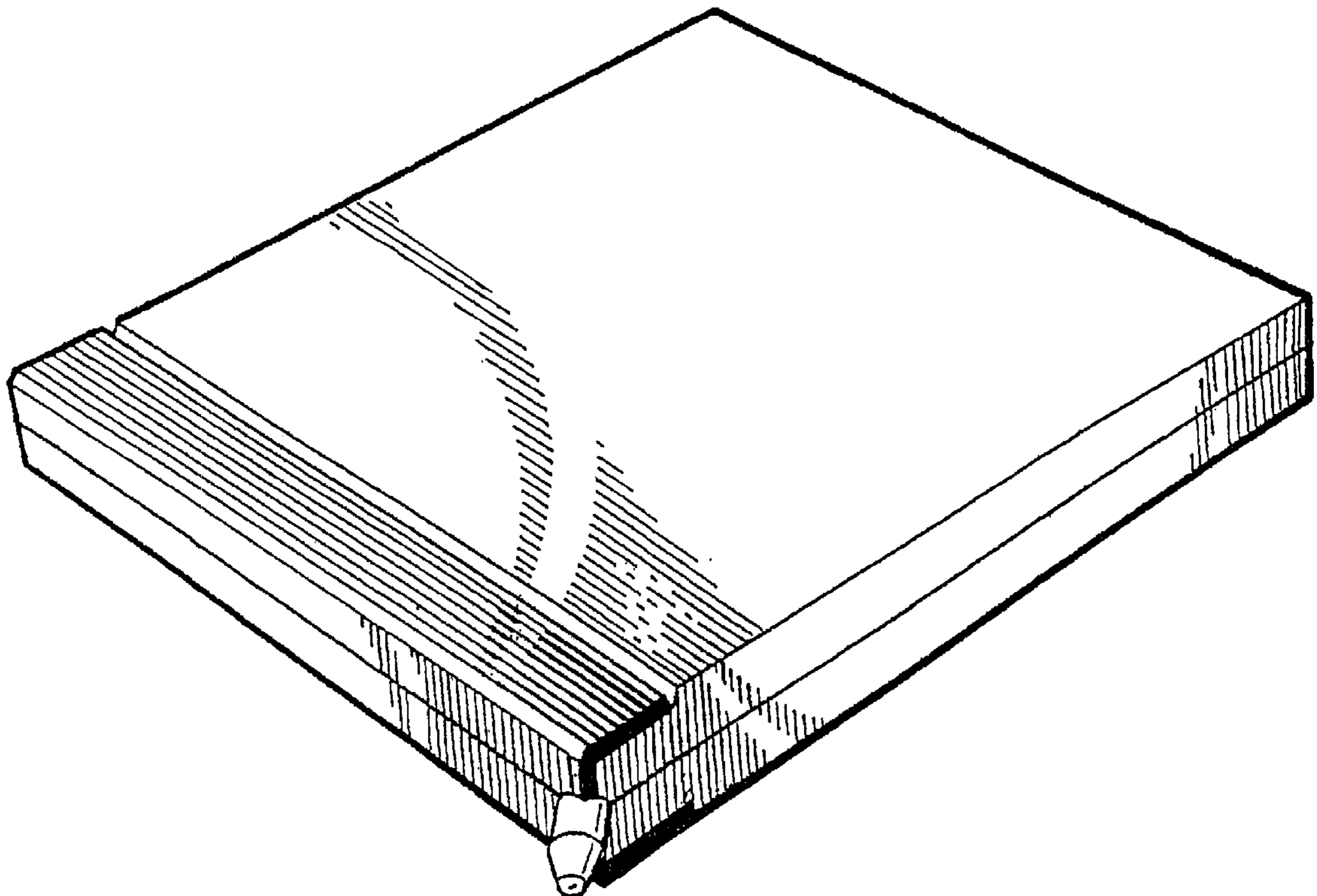
(57) **CLAIM**

The ornamental design for a compact disk case writing instrument, as shown and described.

DESCRIPTION

FIG. 1 is a perspective view of a compact disk case writing instrument showing my new design.

1 Claim, 1 Drawing Sheet



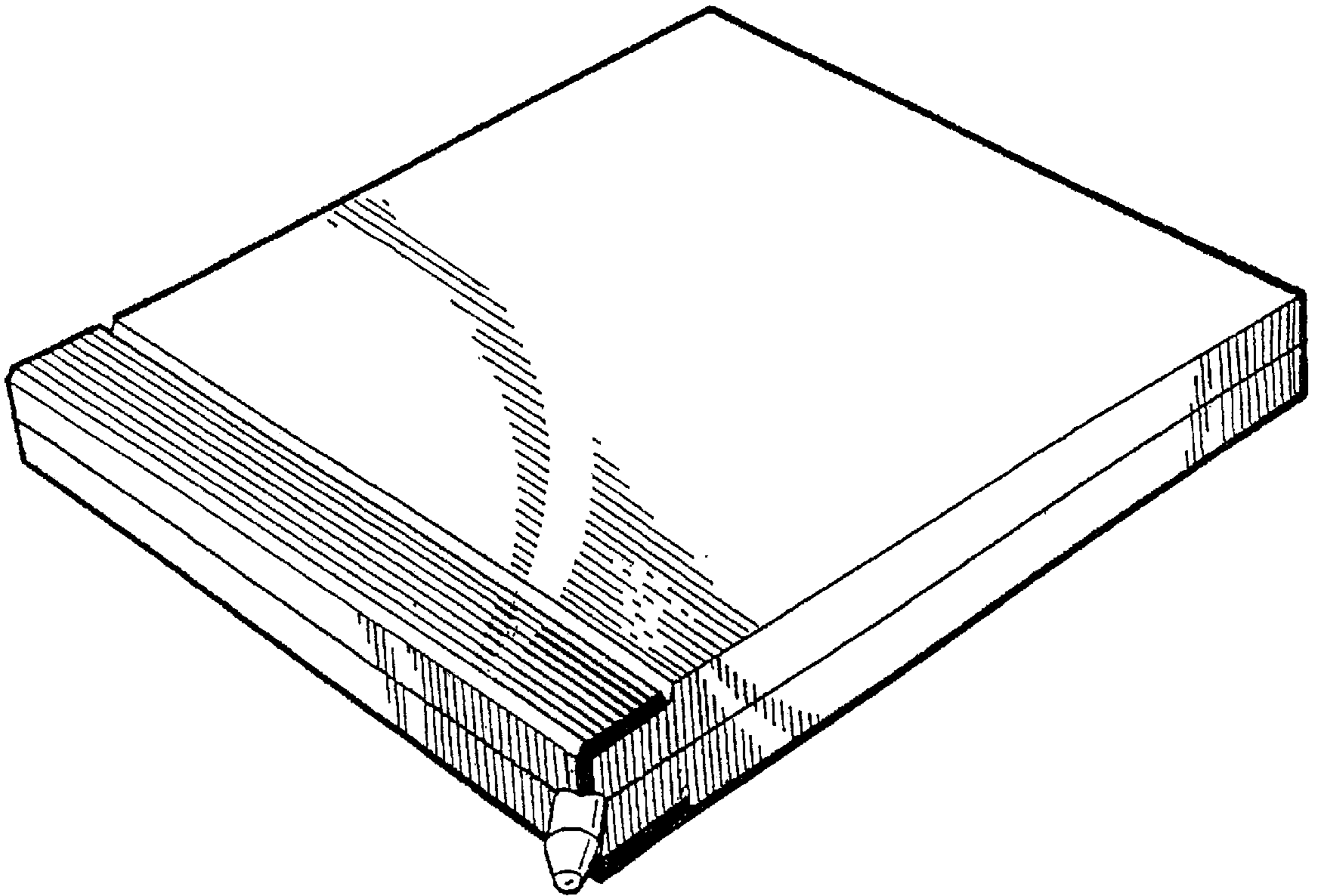


FIG. 1