



US00D467270S

(12) **United States Design Patent**  
**Baltus**

(10) **Patent No.:** **US D467,270 S**

(45) **Date of Patent:** **\*\* Dec. 17, 2002**

(54) **ENVELOPE**

(76) **Inventor:** **Lou Baltus**, 2252 N. 44th St., #2042,  
Phoenix, AZ (US) 85008

(\*\*) **Term:** **14 Years**

(21) **Appl. No.:** **29/117,457**

(22) **Filed:** **Jan. 25, 2000**

(51) **LOC (7) Cl.** ..... **19-01**

(52) **U.S. Cl.** ..... **D19/3**

(58) **Field of Search** ..... D19/3, 4; 229/68.1,  
229/71, 72, 300, 304, 311, 312, 313, 307,  
309; 40/775; 206/312

(56) **References Cited**

**U.S. PATENT DOCUMENTS**

28,767	A	*	6/1860	Morison	.....	229/71
35,861	A	*	7/1862	Wilson	.....	229/71
164,324	A	*	6/1875	Parker	.....	229/71
911,794	A	*	2/1909	Williams	.....	206/312
1,245,100	A	*	10/1917	Gutberlet	.....	229/71
D90,730	S	*	9/1933	Reinhold	.....	D19/4
3,467,299	A	*	9/1969	Meyer	.....	229/71 X
3,802,618	A	*	4/1974	Wiessner	.....	229/304
4,531,316	A	*	7/1985	Farnum	.....	40/775
D384,098	S		9/1997	Kara		

**OTHER PUBLICATIONS**

Gift Envelope Sample #1.  
Gift Envelope Sample #2.  
On-line catalog at <http://shop.affinia.com/cyberken/store12>  
downloaded Feb. 19, 2000.  
On-line catalog at <http://miracle-envelope.com> downloaded  
Feb. 19, 2000.  
On-line catalog at <http://www.amsprinting.com> down-  
loaded Feb. 19, 2000.

\* cited by examiner

*Primary Examiner*—Paula A. Mortimer  
(74) *Attorney, Agent, or Firm*—John D. Titus

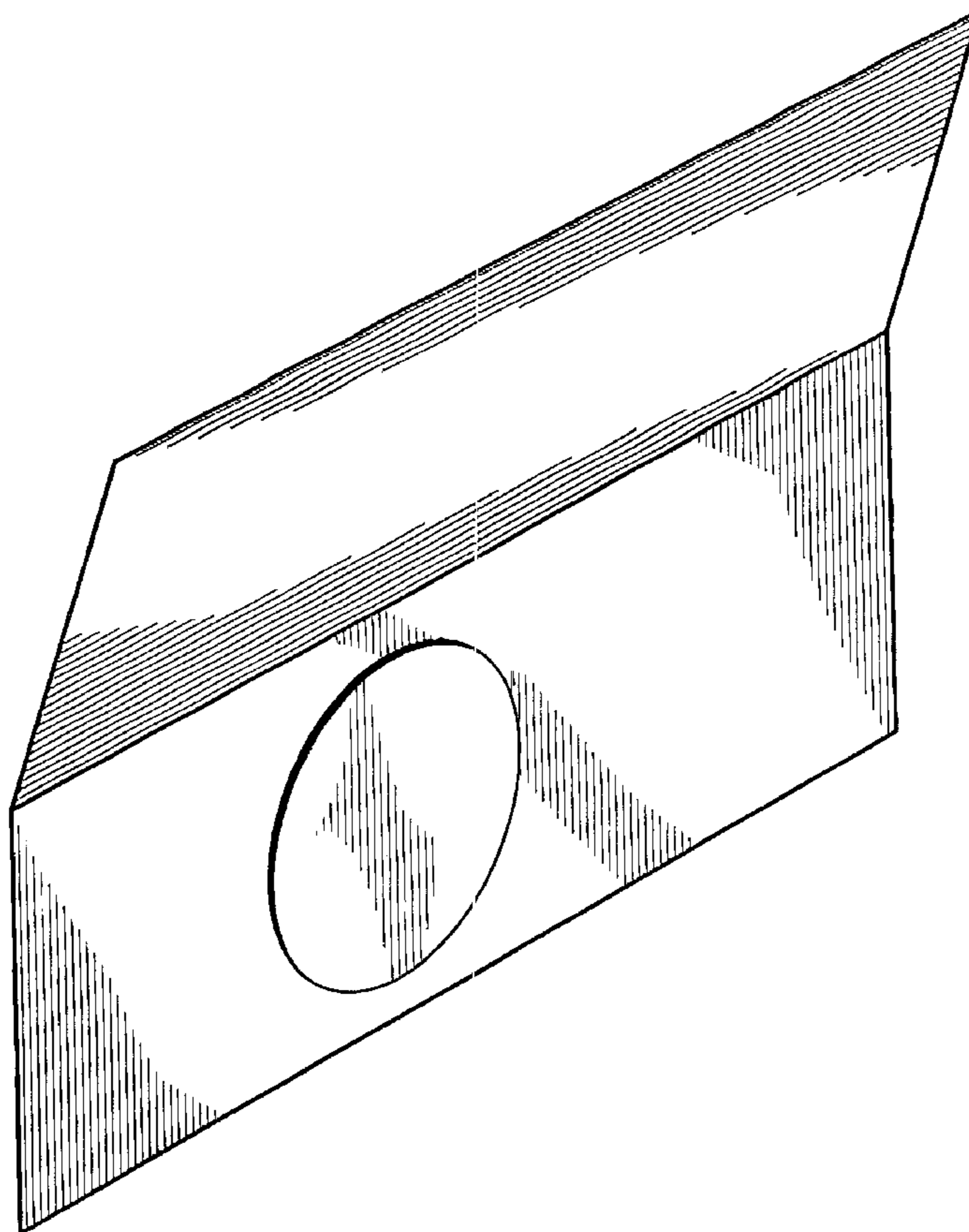
(57) **CLAIM**

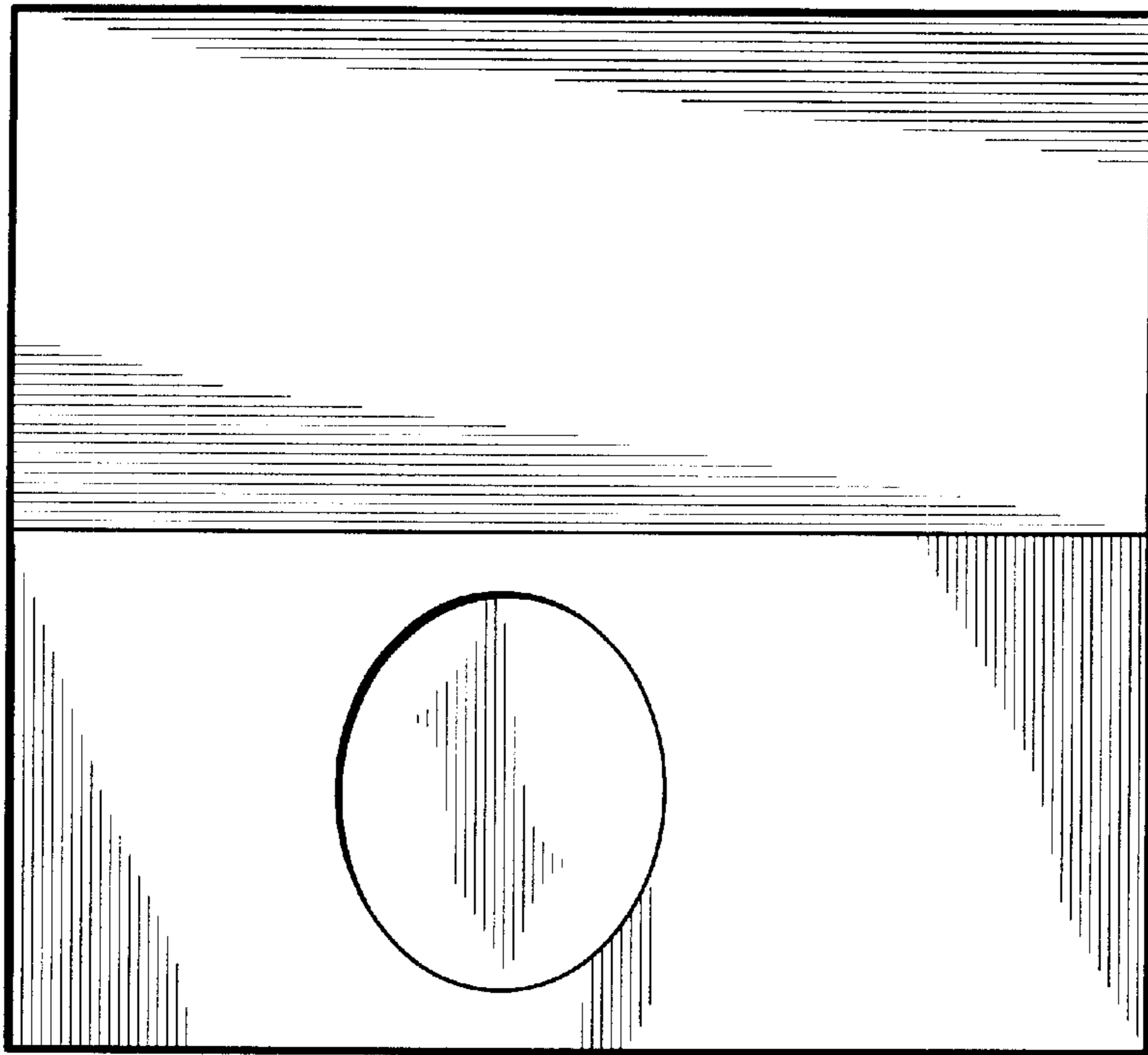
An ornamental design for an envelope, as shown and  
described.

**DESCRIPTION**

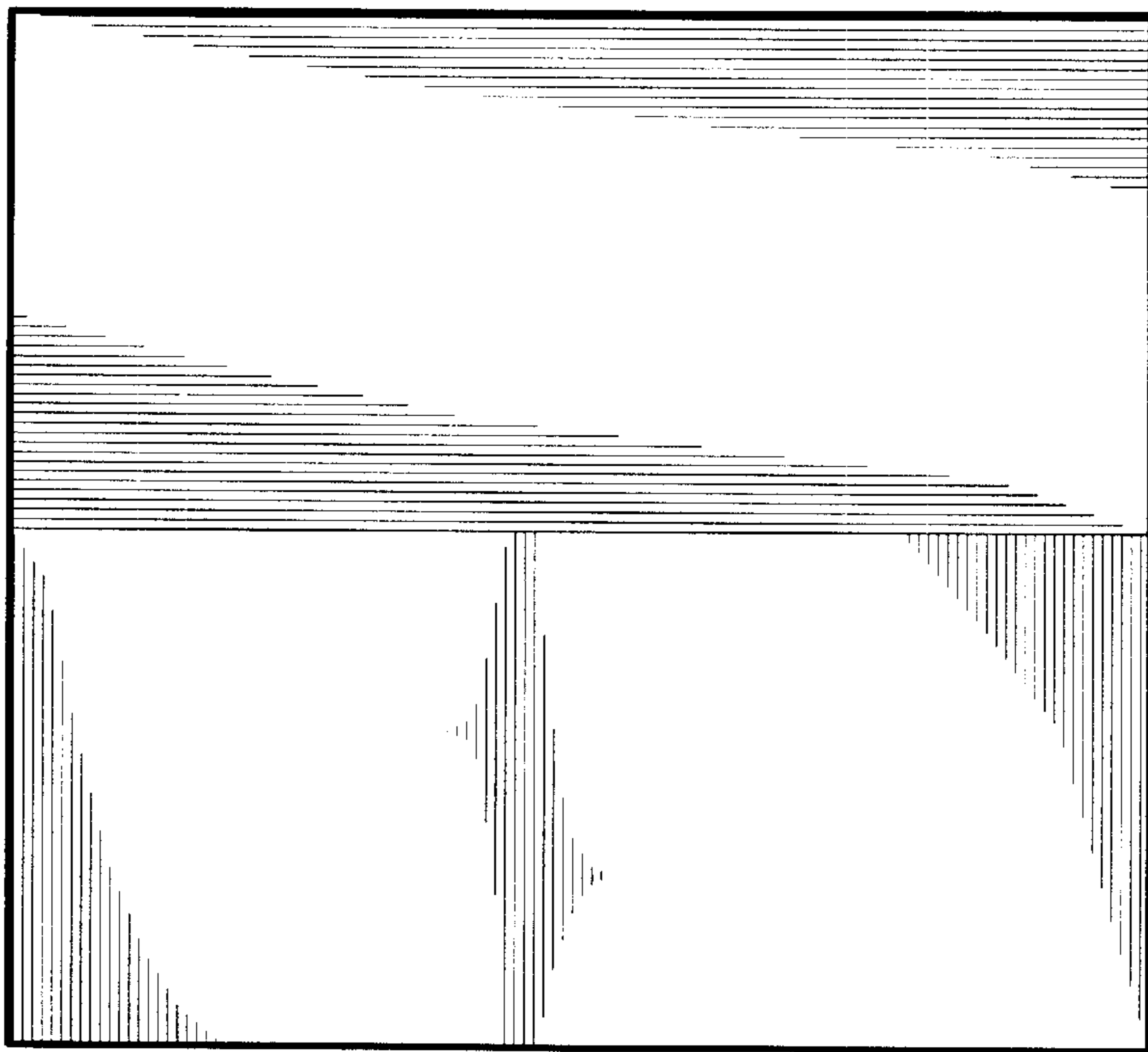
FIG. 1 is a front elevation view of the envelope showing my  
new design;  
FIG. 2 is a rear elevation view of the envelope of FIG. 1;  
and,  
FIG. 3 is a front perspective view of the envelope of FIG. 1.  
It is understood that the sides of the envelope are of no  
substantial thickness.

**1 Claim, 2 Drawing Sheets**

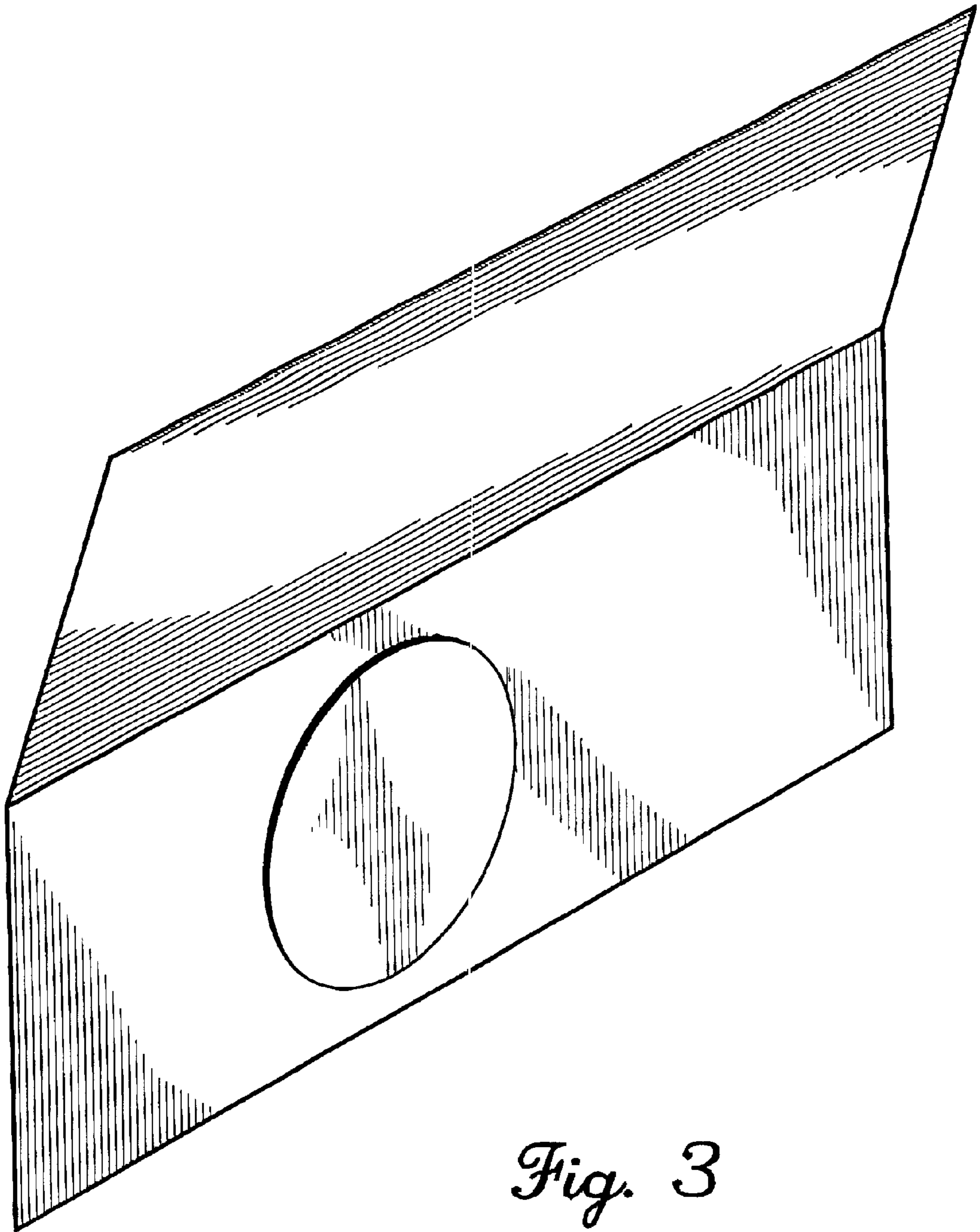




*Fig. 1*



*Fig. 2*



UNITED STATES PATENT AND TRADEMARK OFFICE  
**CERTIFICATE OF CORRECTION**

PATENT NO. : Des. 467,270 C1  
APPLICATION NO. : 95/000086  
DATED : December 29, 2009  
INVENTOR(S) : Baltus

Page 1 of 1

It is certified that error appears in the above-identified patent and that said Letters Patent is hereby corrected as shown below:

On page 3 of INTER PARTES REEXAMINATION CERTIFICATE (0133<sup>rd</sup>), column 2, line 1  
should read:

The single design claim is cancelled.

Signed and Sealed this

Thirteenth Day of April, 2010



David J. Kappos  
*Director of the United States Patent and Trademark Office*



US00D467270C1

(12) **INTER PARTES REEXAMINATION CERTIFICATE** (0133rd)

**United States Patent**

**Baltus**

(10) **Number:** **US D467,270 C1**

(45) **Certificate Issued:** **Dec. 29, 2009**

(54) **ENVELOPE**

(76) **Inventor:** **Lou Baltus**, 2252 N. 44th St., #2042,  
Phoenix, AZ (US) 85008

**Reexamination Request:**

No. 95/000,086, Apr. 1, 2005

**Reexamination Certificate for:**

Patent No.: **Des. 467,270**  
Issued: **Dec. 17, 2002**  
Appl. No.: **29/117,457**  
Filed: **Jan. 25, 2000**

(51) **LOC (9) Cl.** ..... **19-01**

(52) **U.S. Cl.** ..... **D19/3**

(58) **Field of Classification Search** ..... D19/2,  
D19/3, 4, 26, 32; D9/418, 433; 40/124.11,  
40/774, 777; 206/0.8, 215, 216, 312, 313,  
206/784; 229/68.1, 70-72, 77, 92.8, 303,  
229/304; 283/64, 117

See application file for complete search history.

3,391,854 A *	7/1968	Lohausen	.....	229/71
3,651,935 A *	3/1972	Nysten	.....	206/380
3,755,925 A *	9/1973	Court	.....	206/232
3,802,618 A *	4/1974	Wiessner	.....	229/304
3,814,235 A *	6/1974	Glaze, Jr.	.....	229/71
D233,068 S *	10/1974	Bringas	.....	D19/1
4,024,656 A *	5/1977	Farnsworth	.....	40/121
4,200,222 A *	4/1980	Feuer	.....	229/92.8
4,201,299 A *	5/1980	Bumgarner et al.	.....	229/74
D258,423 S *	3/1981	Alvarez et al.	.....	D9/418
D258,453 S *	3/1981	Hewitt et al.	.....	D19/3
D260,081 S *	8/1981	Kronfeld et al.	.....	D9/418
4,440,298 A *	4/1984	Knight	.....	206/216
4,460,119 A *	7/1984	Goodfellow et al.	.....	229/68.1
D286,412 S *	10/1986	Bourgeois	.....	D19/3
4,622,768 A *	11/1986	Moreau	.....	229/92.8
D294,039 S *	2/1988	Francks	.....	D19/3

(Continued)

**FOREIGN PATENT DOCUMENTS**

CA	515362	*	8/1955	.....	229/303
GB	112504	*	1/1918	.....	229/92.8

**OTHER PUBLICATIONS**

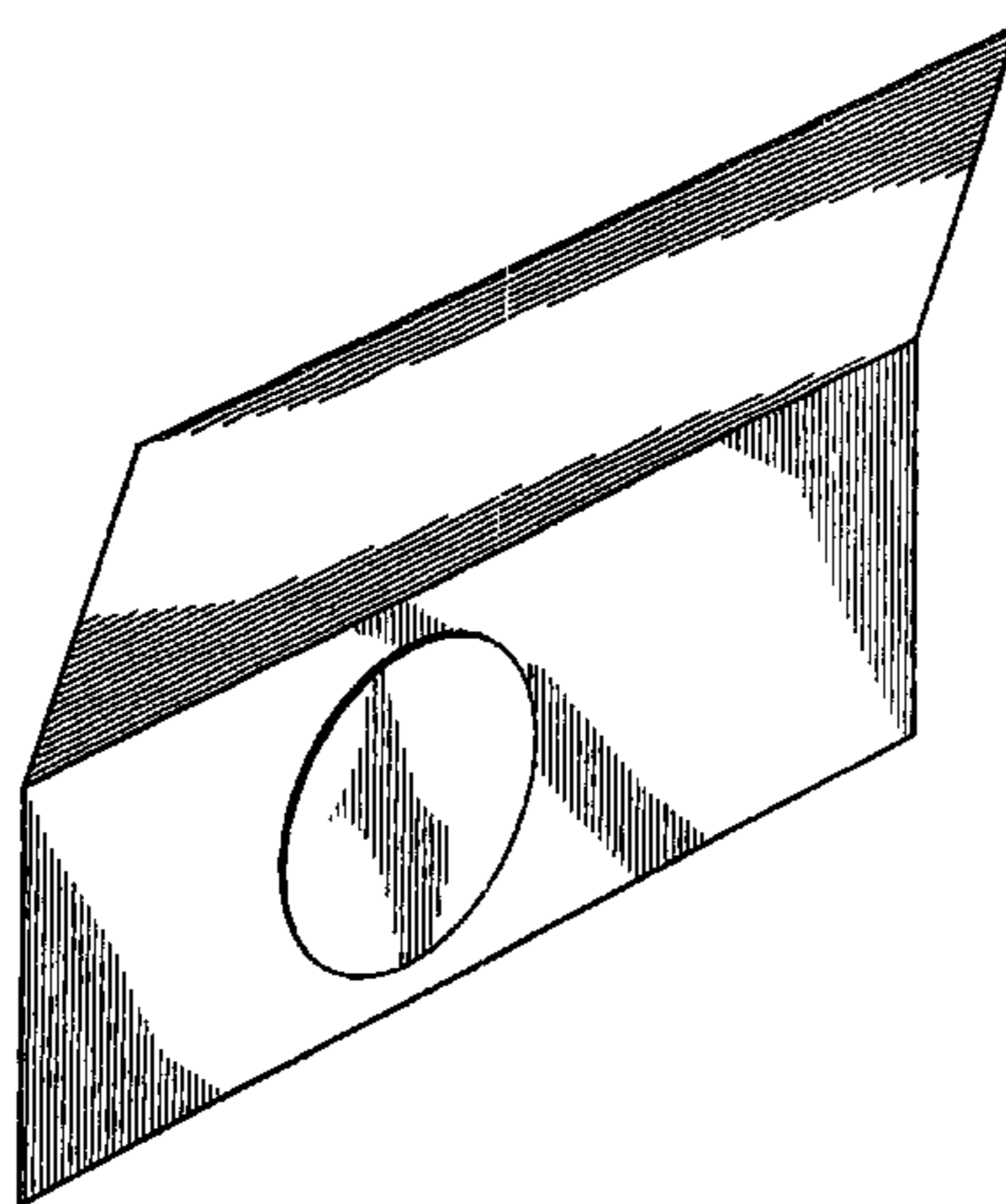
- Redesigned U.S. currency \$20 bill, released in 1998.\*
- Color reproduction of the 9141 Hallmark "Merry Christmas" moneyholder, dated Feb. 15, 1941.\*
- Color reproduction of the 1941 Hallmark "Seasons Greetings" moneyholder, dated Feb. 15, 1941.\*
- Color reproduction of the 1995 Hallmark "For Your Birthday" moneyholder, no proof of date provided.\*
- Greetings Magazine, Goes Lithograph Co. holiday display of moneyholders, p. 25, Oct. 1992.\*
- Treasury press release dated Sep. 27, 1995.\*
- Treasury press release dated Mar. 4, 1996.\*
- Treasury press release dated Oct. 27, 1997.\*
- Treasury press release dated Sep. 24, 1998.\*
- Bureau of Engraving and Printing announcement dated Dec. 3, 1998.\*
- Declaration of Patrick W. Kershner pursuant to 37 CFR 1.132.\*

*Primary Examiner*—Adir Aronovich

(56) **References Cited**

**U.S. PATENT DOCUMENTS**

68,339 A *	9/1867	Beamer	.....	283/117
866,172 A *	9/1907	Westphall	.....	229/71
897,777 A *	9/1908	Pplueger	.....	229/71
1,038,652 A *	9/1912	Reese	.....	40/124.01
1,043,243 A *	11/1912	Mitchell	.....	229/92.8
1,063,577 A *	6/1913	Moran	.....	229/92.8
1,143,729 A *	6/1915	Schmidt	.....	229/92.8
1,202,108 A *	10/1916	Schmidt	.....	229/92.8
1,245,100 A *	10/1917	Gutberlet	.....	229/71
1,419,739 A *	6/1922	Kniep	.....	383/10
1,440,046 A *	12/1922	Ziplinsky	.....	220/796
1,464,378 A *	8/1923	Wilburger	.....	229/72
1,603,592 A *	10/1926	Glasner	.....	446/147
1,637,884 A *	8/1927	Walker	.....	229/68.1
2,390,864 A *	12/1945	Bayley	.....	229/72
2,480,416 A *	8/1949	Modes	.....	206/312
2,872,099 A *	2/1959	Prial	.....	229/304
3,174,244 A *	3/1965	Walton	.....	40/774
3,194,482 A *	7/1965	Berkley	.....	229/71
D202,453 S *	9/1965	Engel	.....	D19/32



# US D467,270 C1

Page 2

---

## U.S. PATENT DOCUMENTS

4,762,271	A	*	8/1988	Lewyt	.....	229/72	D387,380	S	12/1997	Feit	.....	D19/3	
4,852,794	A	*	8/1989	Bennett et al.	.....	229/71	5,778,578	A	*	7/1998	Drapcho et al.	.....	40/124.09
4,899,926	A	*	2/1990	Spaulding	.....	229/304	6,003,254	A	*	12/1999	Lorber	.....	40/124.09
4,936,769	A	*	6/1990	Schoenleber	.....	229/68.1	6,016,907	A	*	1/2000	Dreier	.....	229/70
5,143,279	A	*	9/1992	Gaines	.....	229/68.1	D421,624	S	3/2000	Scafidi	.....	D19/3	
D339,063	S	*	9/1993	Simon	.....	D9/433	D429,463	S	8/2000	Liberto	.....	D9/418	
D347,242	S	*	5/1994	Yarnmunilert	.....	D19/1	D434,438	S	11/2000	Kara	.....	D19/3	
D368,276	S	*	3/1996	Buzby	.....	D19/2	6,230,964	B1	*	5/2001	Saito	.....	229/92.8
5,669,165	A	*	9/1997	Santorsola	.....	229/92.8	D474,504	S	5/2003	Woods et al.	.....	D19/3	
D386,204	S		11/1997	Kara	.....	D19/3	6,619,539	B1	*	9/2003	Schluger	.....	229/68.1
D386,783	S		11/1997	Kara	.....	D19/3	6,640,473	B1	*	11/2003	Shenk	.....	206/215
							D483,064	S	12/2003	Woods et al.	.....	D19/3	

\* cited by examiner

**INTER PARTES  
REEXAMINATION CERTIFICATE  
ISSUED UNDER 35 U.S.C. 316**

AS A RESULT OF REEXAMINATION, IT HAS BEEN  
DETERMINED THAT:

The patentability of the single design claim is confirmed.

An ornamental design for an envelope, as shown and  
described.

\* \* \* \* \*