



US00D467268S

(12) **United States Design Patent**
Nägele

(10) **Patent No.:** **US D467,268 S**

(45) **Date of Patent:** **** Dec. 17, 2002**

(54) **CONTROL CONSOLE FOR A PRINTING MACHINE**

(75) Inventor: **Rudolf Nägele**, Friedberg (DE)

(73) Assignee: **MAN Roland Druckmaschinen AG**,
Offenbach am Main (DE)

(**) Term: **14 Years**

(21) Appl. No.: **29/158,072**

(22) Filed: **Mar. 26, 2002**

Related U.S. Application Data

(62) Division of application No. 29/132,499, filed on Nov. 9, 2000.

(30) **Foreign Application Priority Data**

May 13, 2000 (DE) 400 04 929

(51) **LOC (7) Cl.** **18-02**

(52) **U.S. Cl.** **D18/56; D6/486**

(58) **Field of Search** D18/56, 53, 54;
D6/486, 495; 108/7, 20, 64, 66, 96; 101/148,
407.1, 474; 435/42

(56) **References Cited**

U.S. PATENT DOCUMENTS

- D233,718 S * 11/1974 Panzica D18/56
- 4,365,561 A * 12/1982 Tellier et al. 108/7
- D278,249 S * 4/1985 Schott et al. D18/56
- 4,615,279 A * 10/1986 Hays 108/64
- D302,682 S * 8/1989 Bloom et al. D18/54
- D335,054 S * 4/1993 Hollington D6/486

- D336,575 S * 6/1993 Hasuike D6/486
- 5,363,772 A * 11/1994 Adamidis 108/66
- D381,679 S * 7/1997 Dubson D18/56
- D401,791 S * 12/1998 Schwab D6/486
- D421,769 S * 3/2000 Dubson D18/56
- D424,104 S * 5/2000 Rorke et al. D18/56
- 6,095,476 A * 8/2000 Mathis 108/7
- D442,625 S * 5/2001 Chiba et al. D18/56

* cited by examiner

Primary Examiner—Cathy Anne MacCormac

(74) *Attorney, Agent, or Firm*—Cohen, Pontani, Lieberman & Pavane

(57) **CLAIM**

The ornamental design for a control console for a printing machine, as shown and described.

DESCRIPTION

FIG. 1 is a front perspective view of a control console for a printing machine according to a first embodiment of the present invention;

FIG. 2 is a front elevational view thereof, the right side is a mirror image;

FIG. 3 is a left side elevational view thereof;

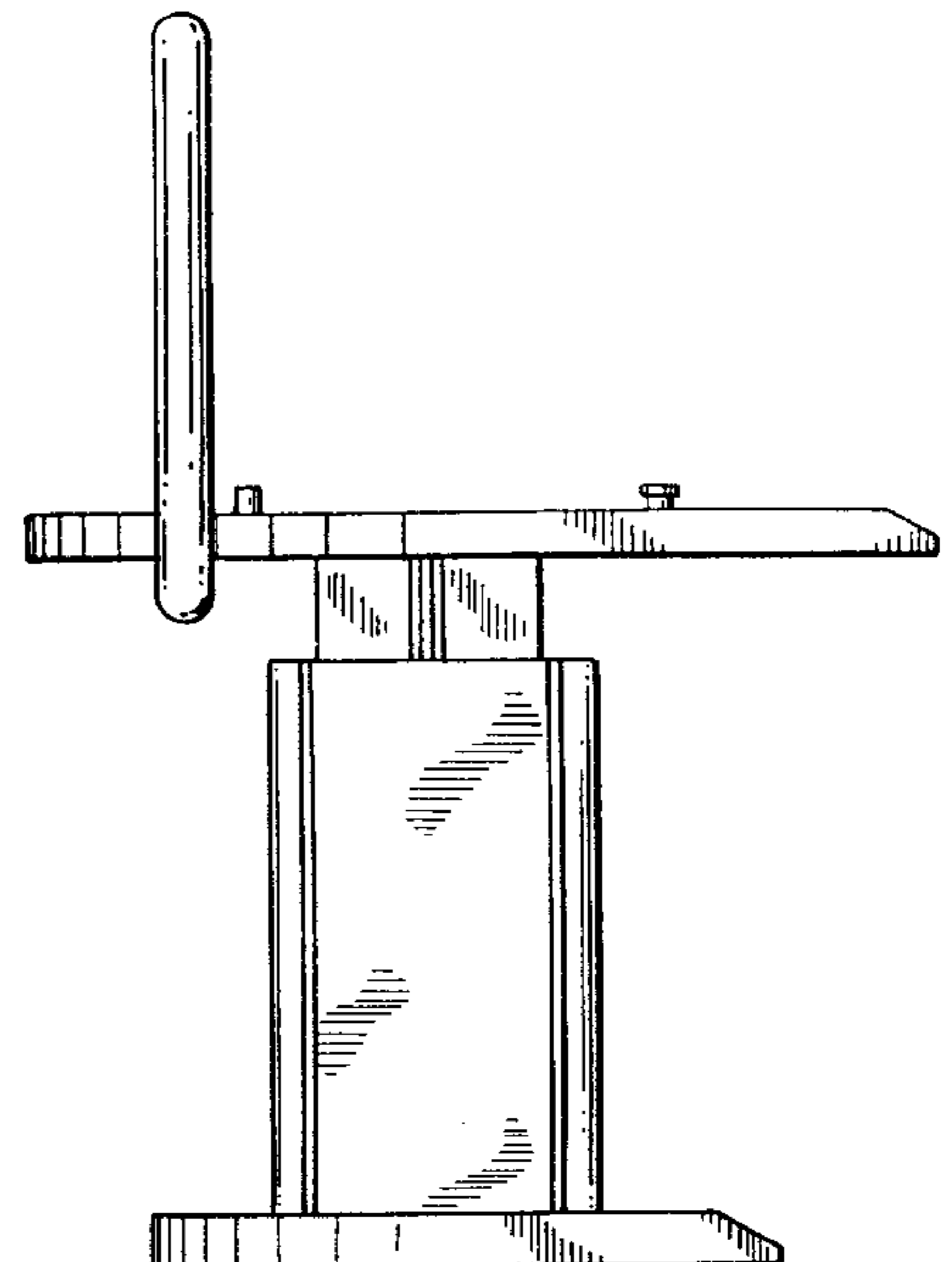
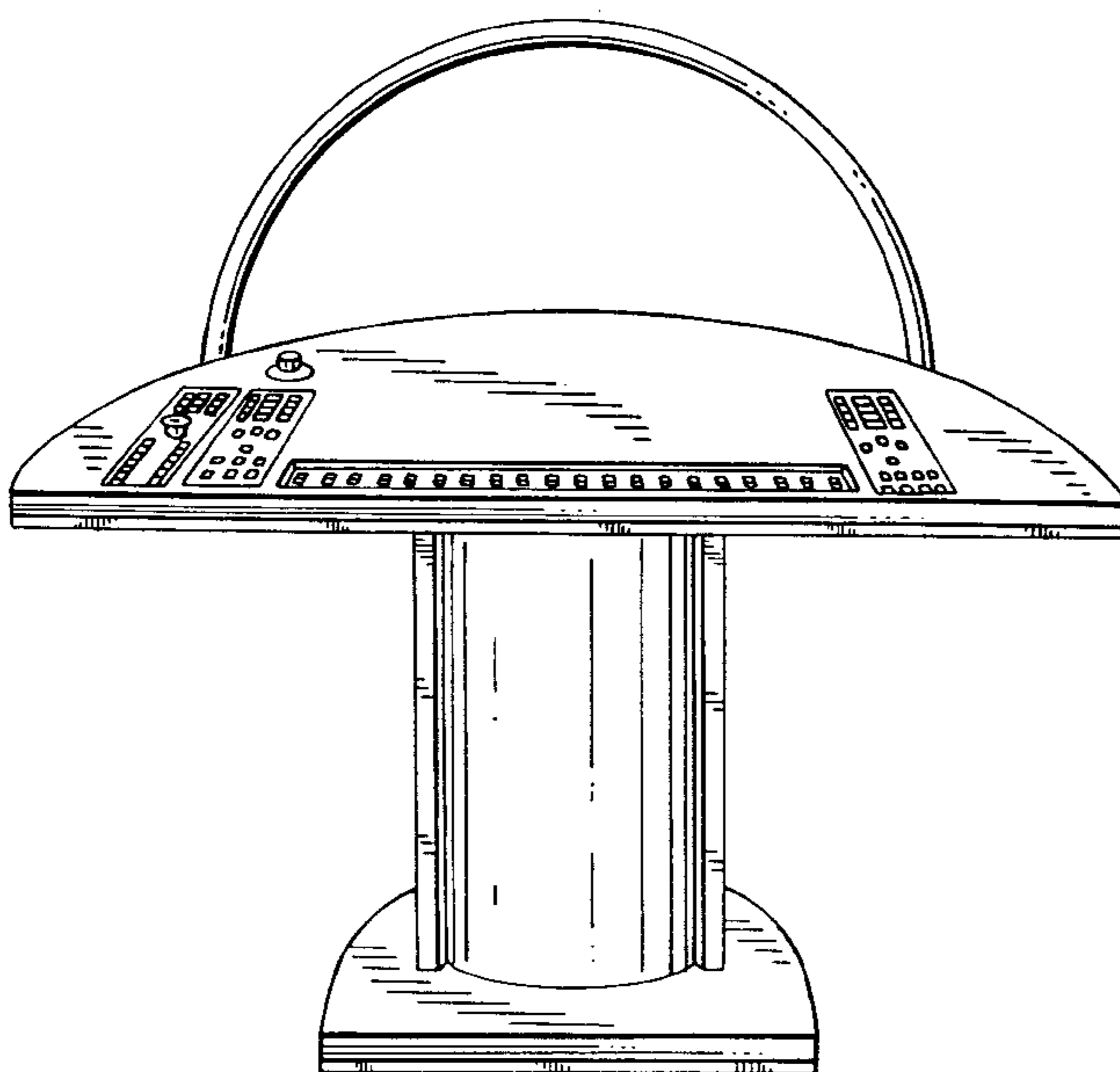
FIG. 4 is a front perspective view of a control console for a printing machine according to a second embodiment of the present invention;

FIG. 5 is a front elevational view thereof; and,

FIG. 6 is a left side elevational view thereof, the right side is a mirror image.

The bottom of the control console for a printing machine is flat and unadorned.

1 Claim, 4 Drawing Sheets



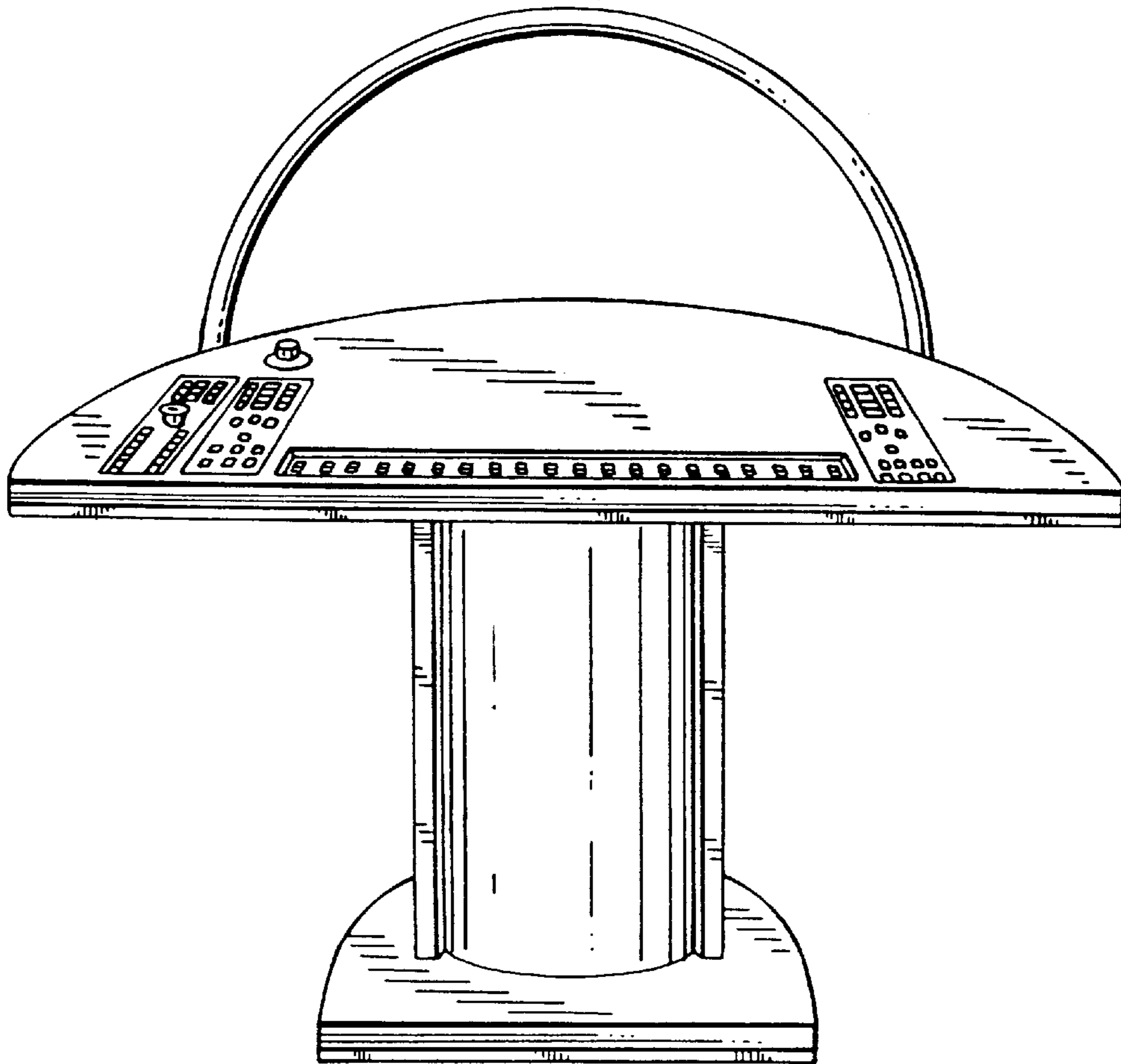


Fig. 1

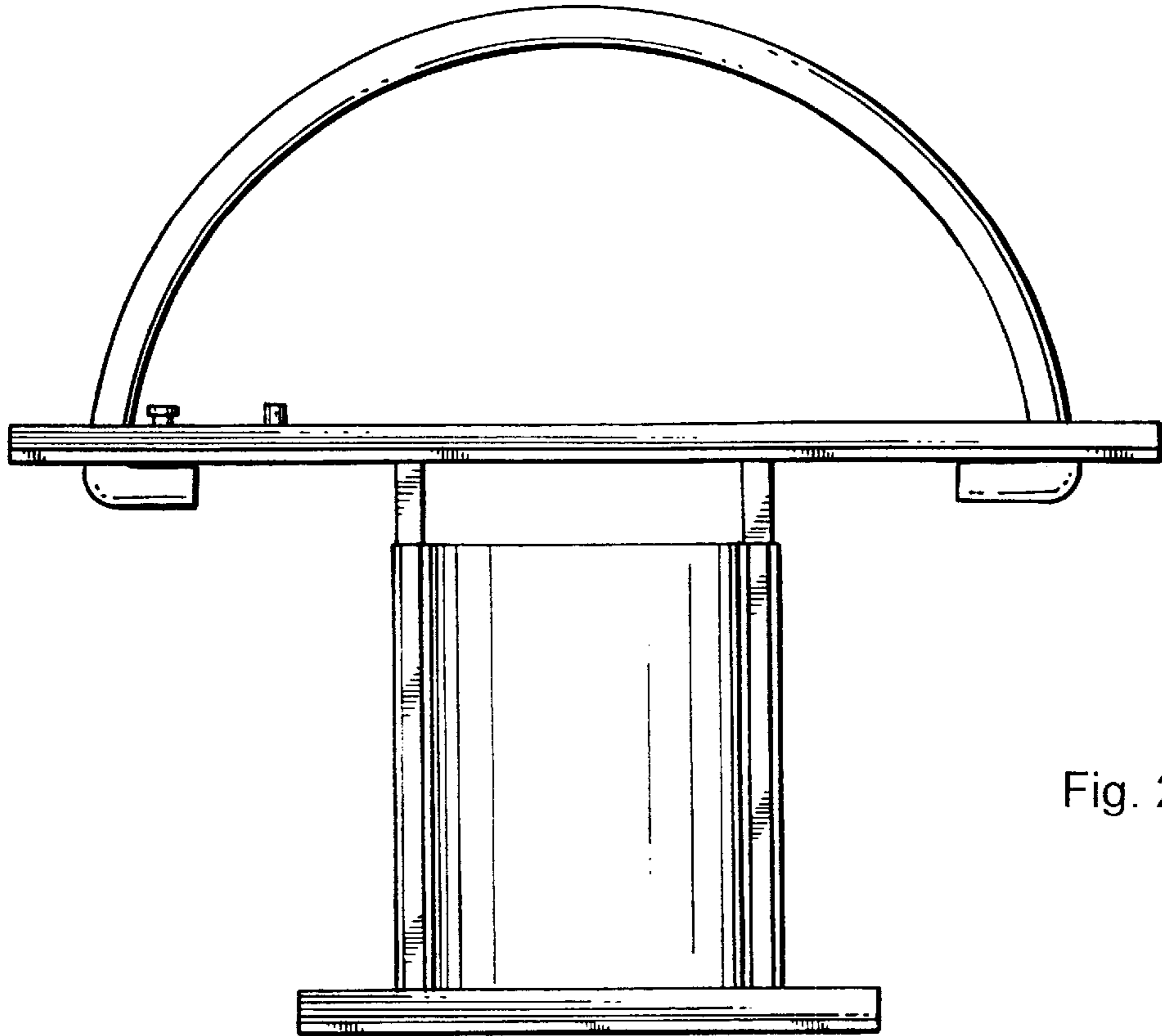


Fig. 2

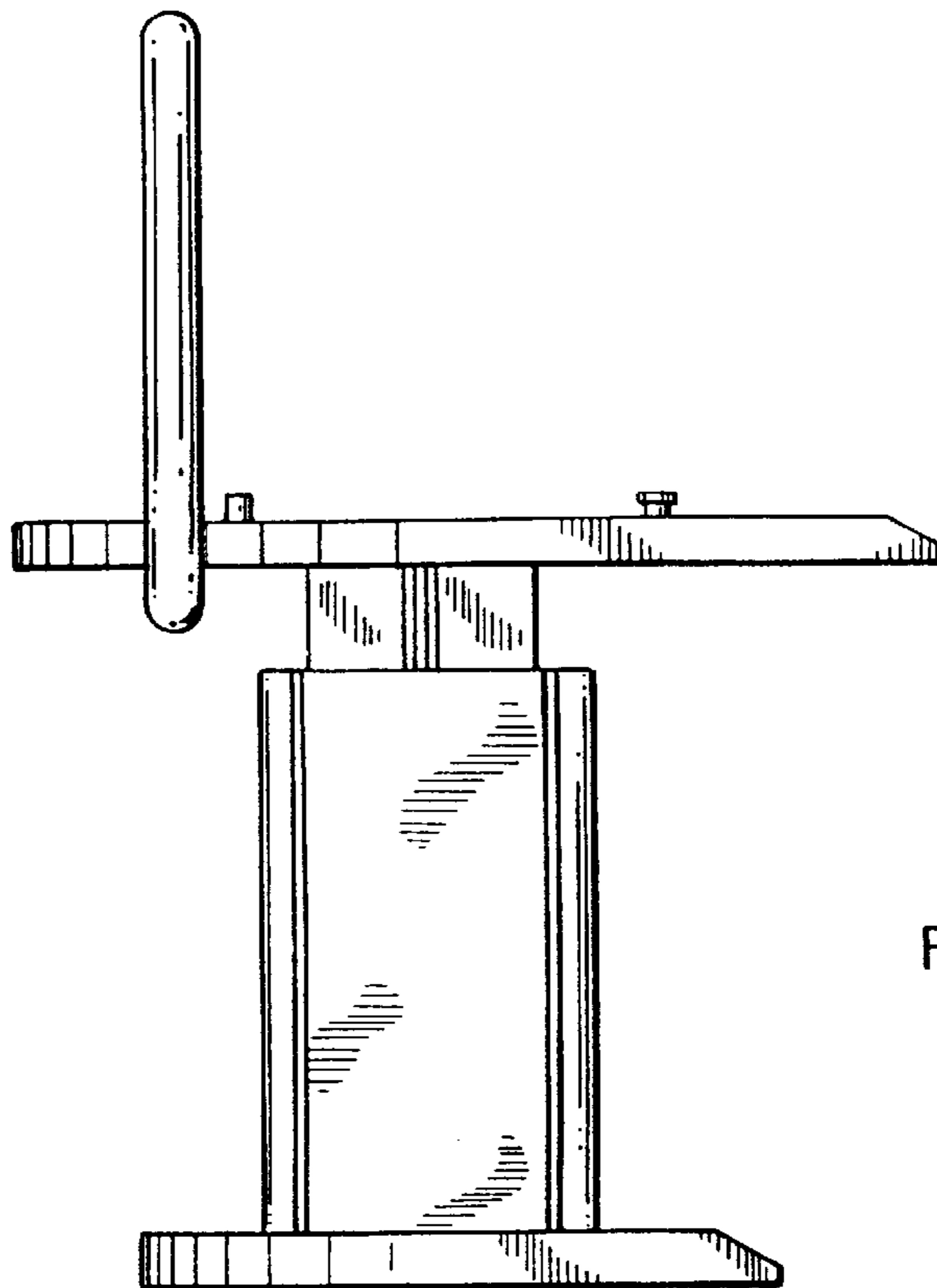


Fig. 3

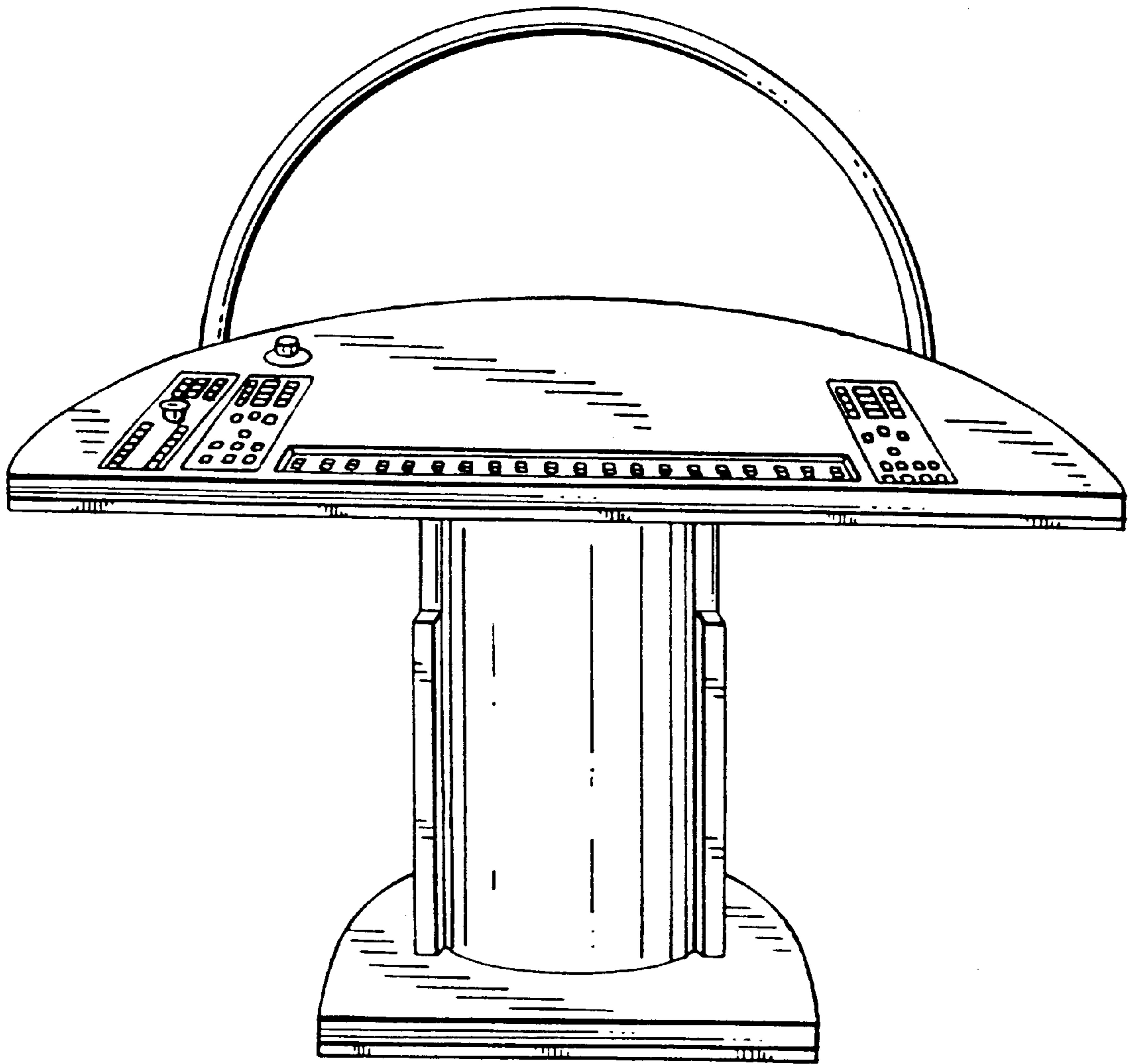


Fig. 4

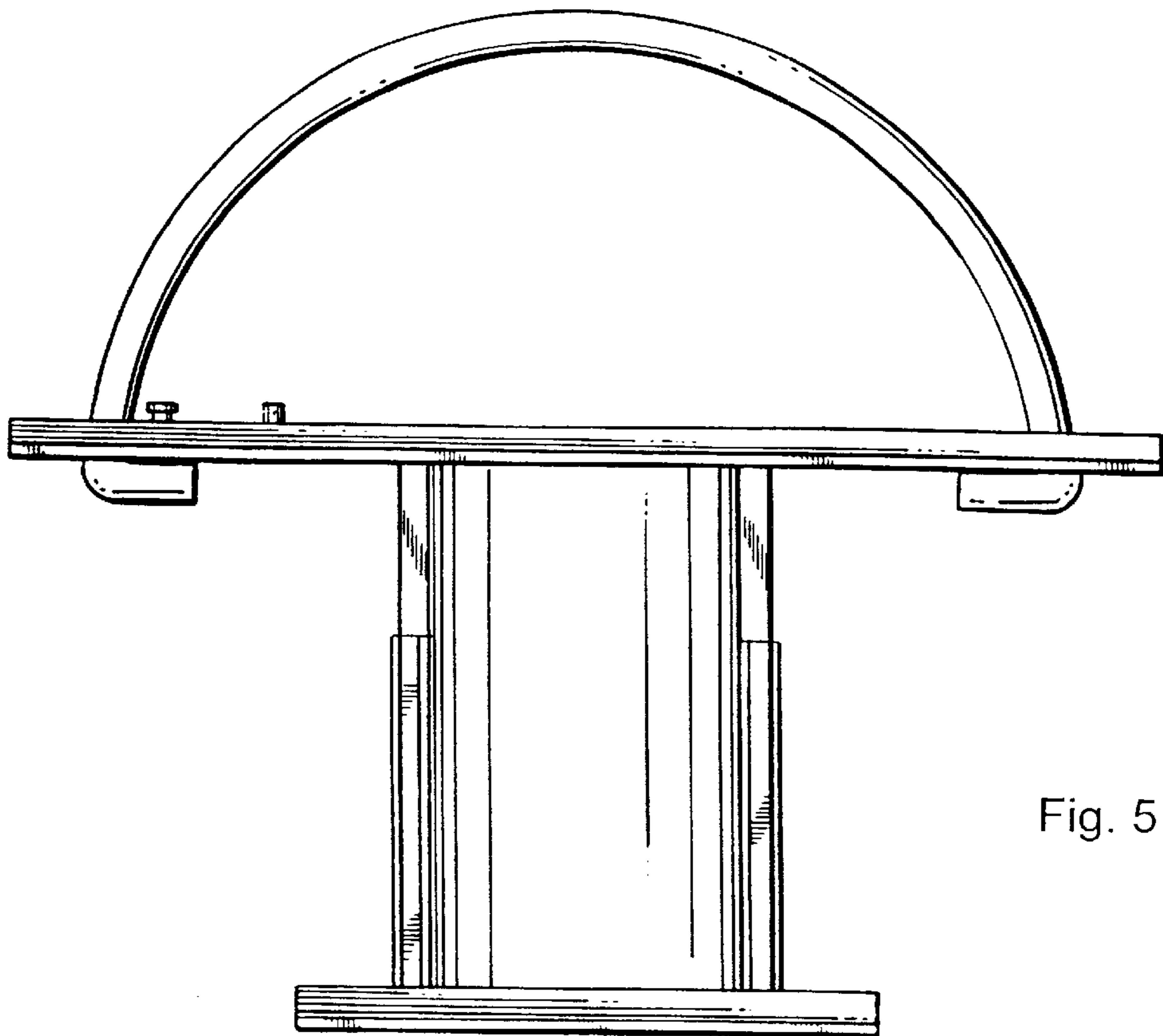


Fig. 5

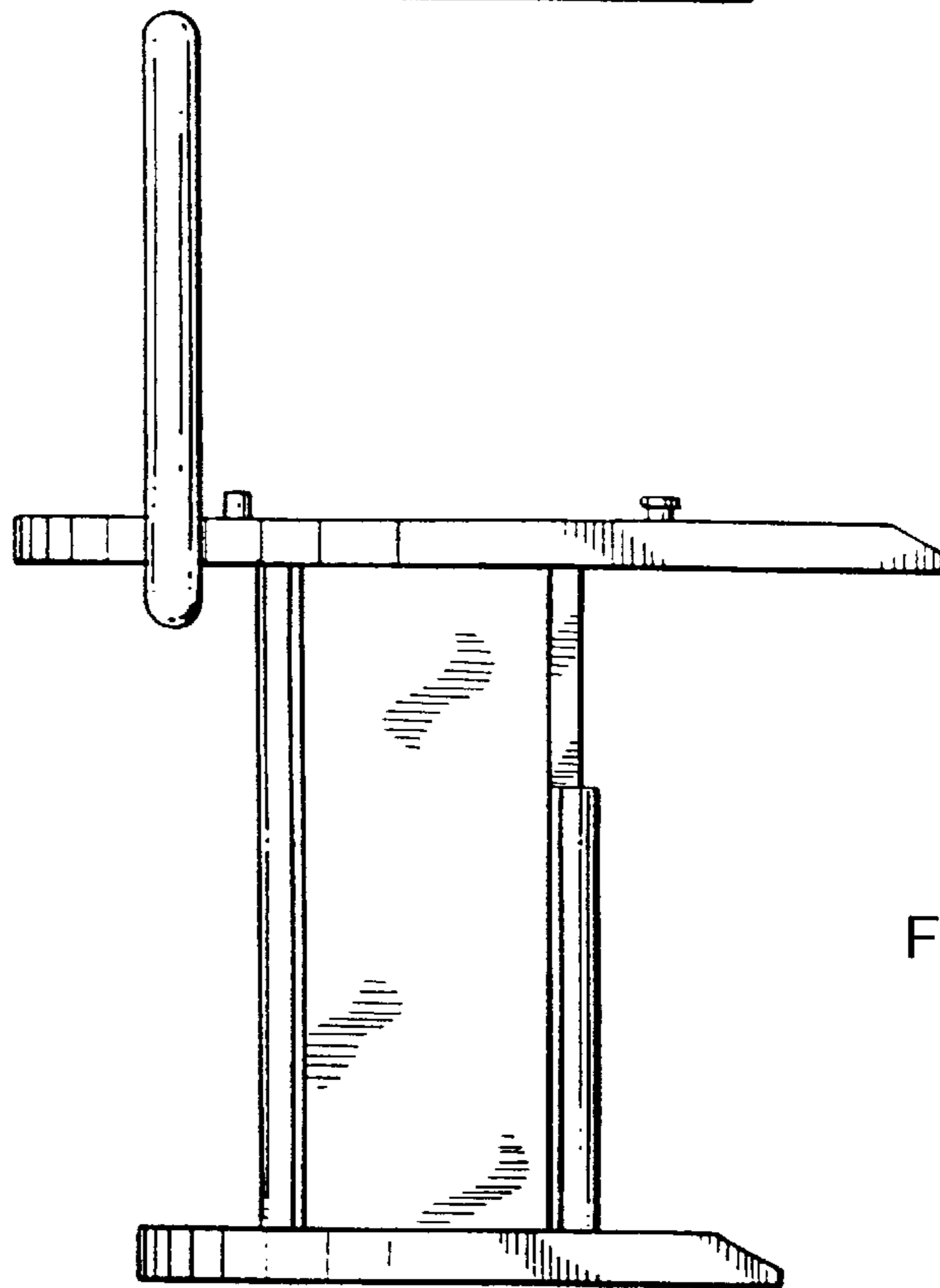


Fig. 6