



US00D467265S

(12) **United States Design Patent**
Suzuki et al.

(10) **Patent No.:** **US D467,265 S**

(45) **Date of Patent:** **** Dec. 17, 2002**

(54) **FIXING DEVICE**

(75) Inventors: **Takashi Suzuki**, Ibaraki (JP);
Yoshitaka Fujinuma, Ibaraki (JP);
Masayuki Ainoya, Ibaraki (JP)

(73) Assignee: **Hitachi Koki Co., Ltd.**, Tokyo (JP)

(**) Term: **14 Years**

(21) Appl. No.: **29/143,847**

(22) Filed: **Jun. 22, 2001**

Related U.S. Application Data

(62) Division of application No. 09/514,324, filed on Feb. 28, 2000, now Pat. No. 6,285,846.

(30) **Foreign Application Priority Data**

Feb. 26, 1999 (JP) 11-050081

(51) **LOC (7) Cl.** **16-03**

(52) **U.S. Cl.** **D18/40**

(58) **Field of Search** D16/246; D18/40,
D18/43; 399/122, 320, 327

(56) **References Cited**

U.S. PATENT DOCUMENTS

- 4,591,258 A * 5/1986 Nishino et al. D18/43
- 4,994,853 A * 2/1991 Fukuchi et al. D18/43
- 5,400,119 A * 3/1995 Kusuda et al. 399/320
- D417,694 S * 12/1999 Miyazawa D18/40
- D443,636 S * 6/2001 Kurosawa et al. D18/43

* cited by examiner

Primary Examiner—Adir Aronovich

(74) *Attorney, Agent, or Firm*—Sughrue Mion PLLC

(57) **CLAIM**

The ornamental design for a fixing device, as shown and described.

DESCRIPTION

FIG. 1 is a front, top and right side perspective view of a fixing device, the handle being in a raised position showing my new design;

FIG. 2 is a rear, top and left side perspective view thereof, the handle being in a lowered position; and,

FIG. 3 is a top plan view thereof.

1 Claim, 3 Drawing Sheets

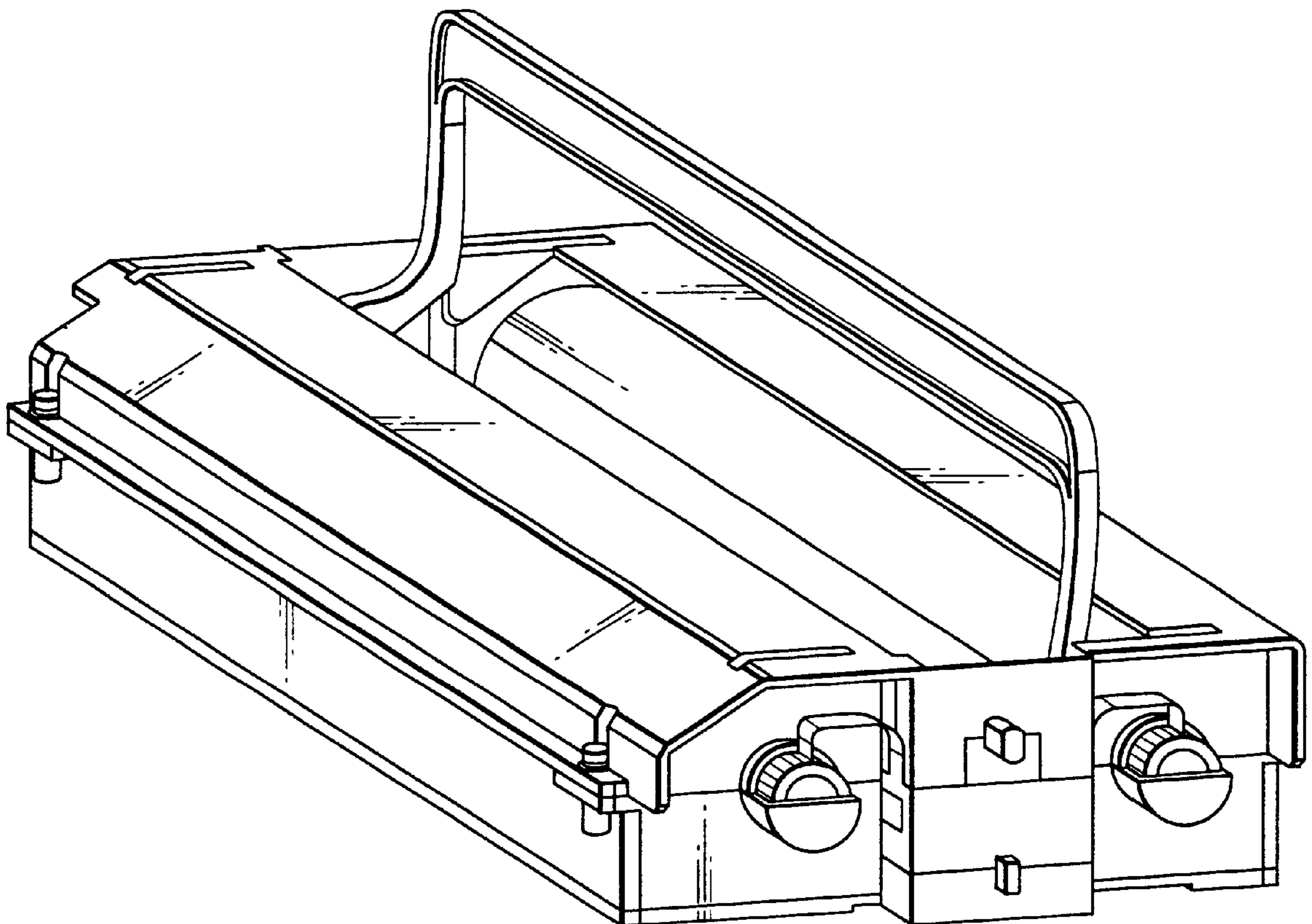


FIG. 1

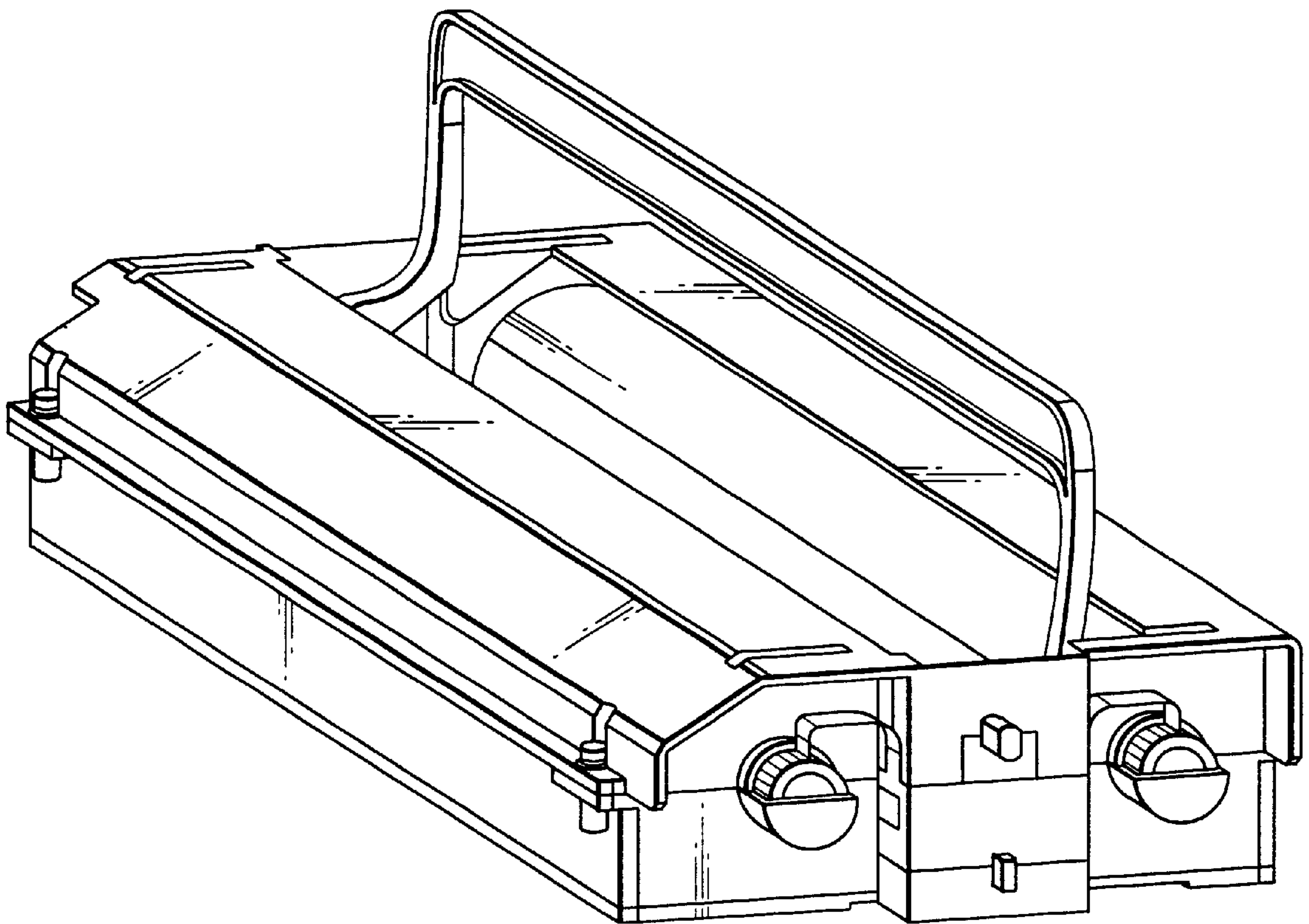


FIG.2

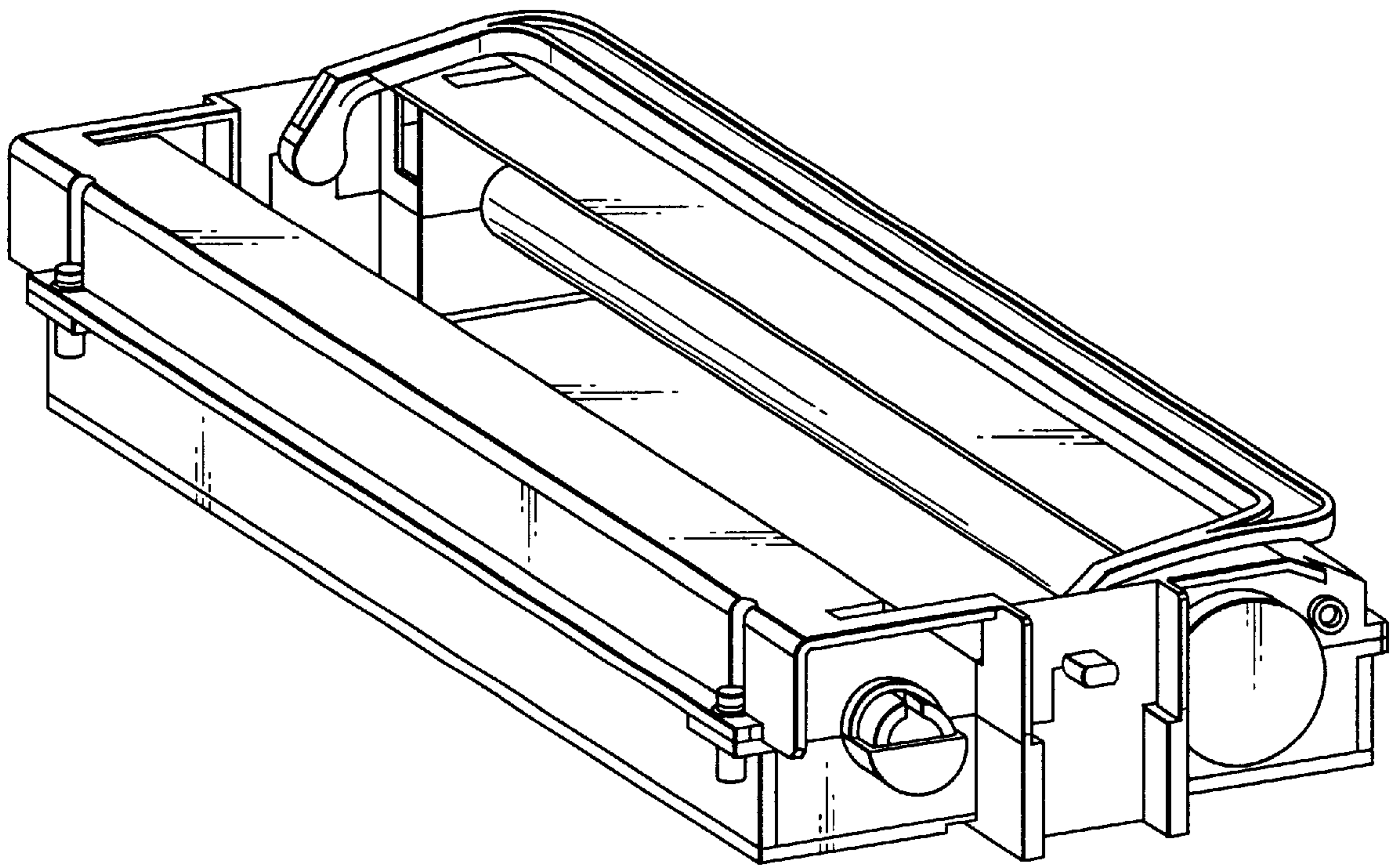


FIG.3

