



US00D467260S

(12) **United States Design Patent**  
**Kawase**

(10) **Patent No.:** **US D467,260 S**

(45) **Date of Patent:** **\*\* Dec. 17, 2002**

(54) **COMBINED VIDEO CAMERA AND VIDEO TAPE RECORDER**

(75) Inventor: **Atsushi Kawase**, Tokyo (JP)

(73) Assignee: **Sony Corporation**, Tokyo (JP)

(\*\*) Term: **14 Years**

(21) Appl. No.: **29/150,063**

(22) Filed: **Nov. 2, 2001**

(51) **LOC (7) Cl.** ..... **16-05**

(52) **U.S. Cl.** ..... **D16/219**

(58) **Field of Search** ..... D16/200–205,  
D16/208, 218, 219; 348/373–376; 396/535–541

(56) **References Cited**

**U.S. PATENT DOCUMENTS**

D377,497 S	*	1/1997	Ninomiya et al.	.....	D16/219
D391,588 S		3/1998	Sumita	.....	D16/202
5,739,859 A	*	4/1998	Hattori et al.	.....	348/375
D404,051 S		1/1999	Ishii	.....	D16/219
D407,097 S	*	3/1999	Suzuki et al.	.....	D16/202
D410,016 S	*	5/1999	Maeyama	.....	D16/202
D429,267 S		8/2000	Sumita et al.	.....	D16/202
D431,582 S		10/2000	Sumita et al.	.....	D16/202
D435,575 S		12/2000	Kanatani	.....	D16/202

**FOREIGN PATENT DOCUMENTS**

JP	1095965	1/2001
JP	1095991	1/2001

**OTHER PUBLICATIONS**

Catalog "Sony Handycam", p. 16, Sony Corporation (Jun. 1999).

Catalog "Sony Handycam", p. 15, Sony Corporation (Dec. 2000).

\* cited by examiner

*Primary Examiner*—Adir Aronovich

(74) *Attorney, Agent, or Firm*—Rader, Fishman & Grauer PLLC

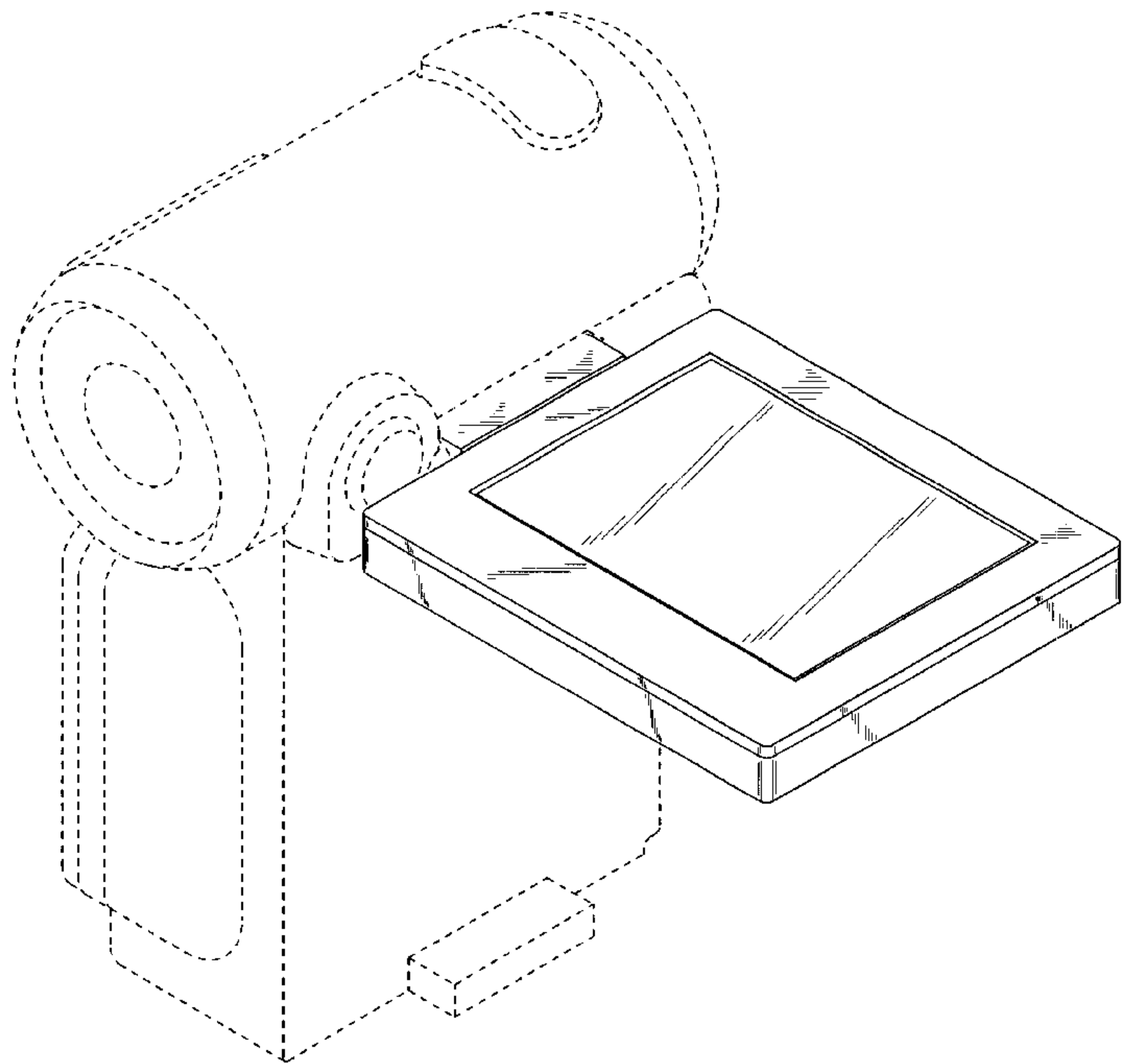
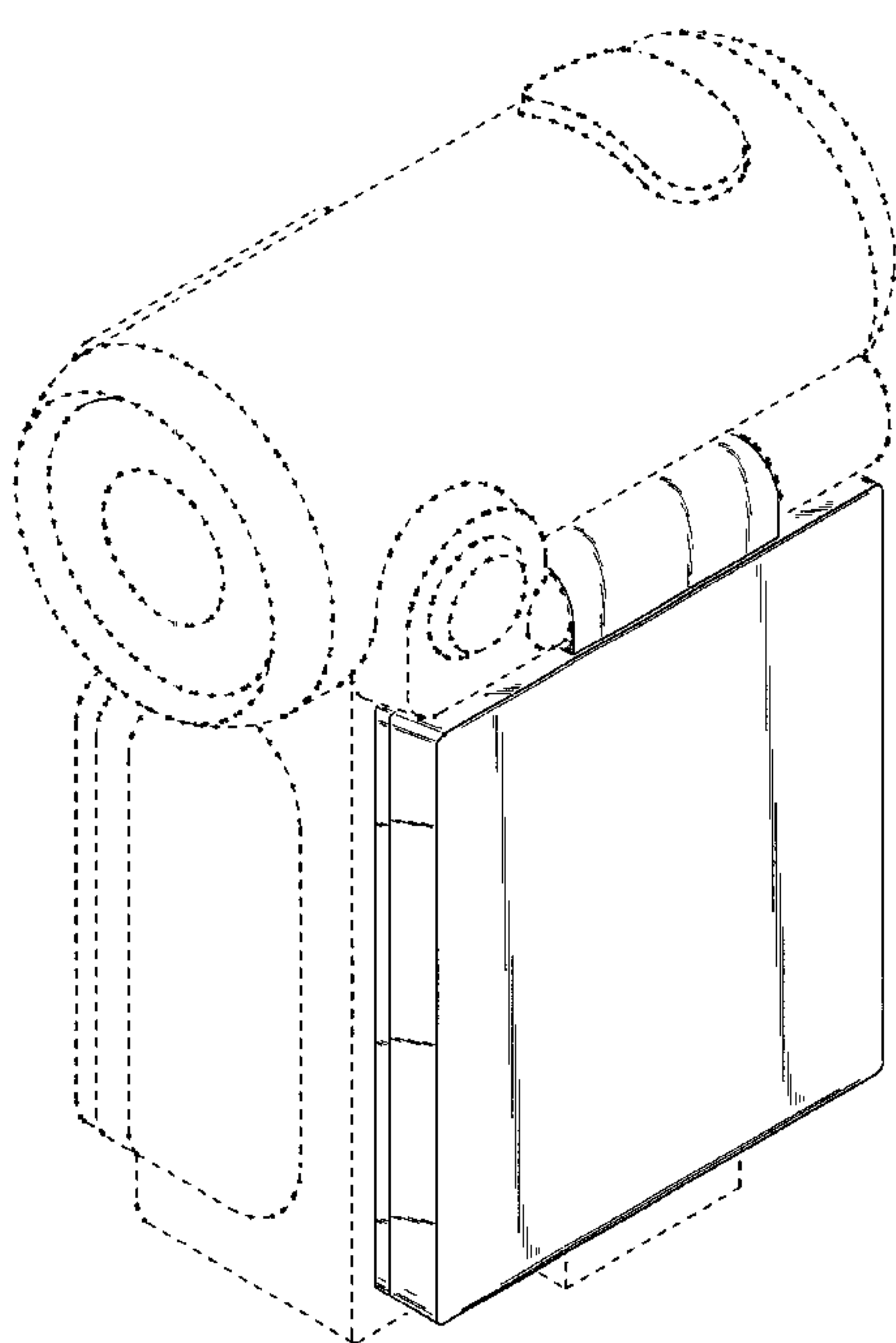
(57) **CLAIM**

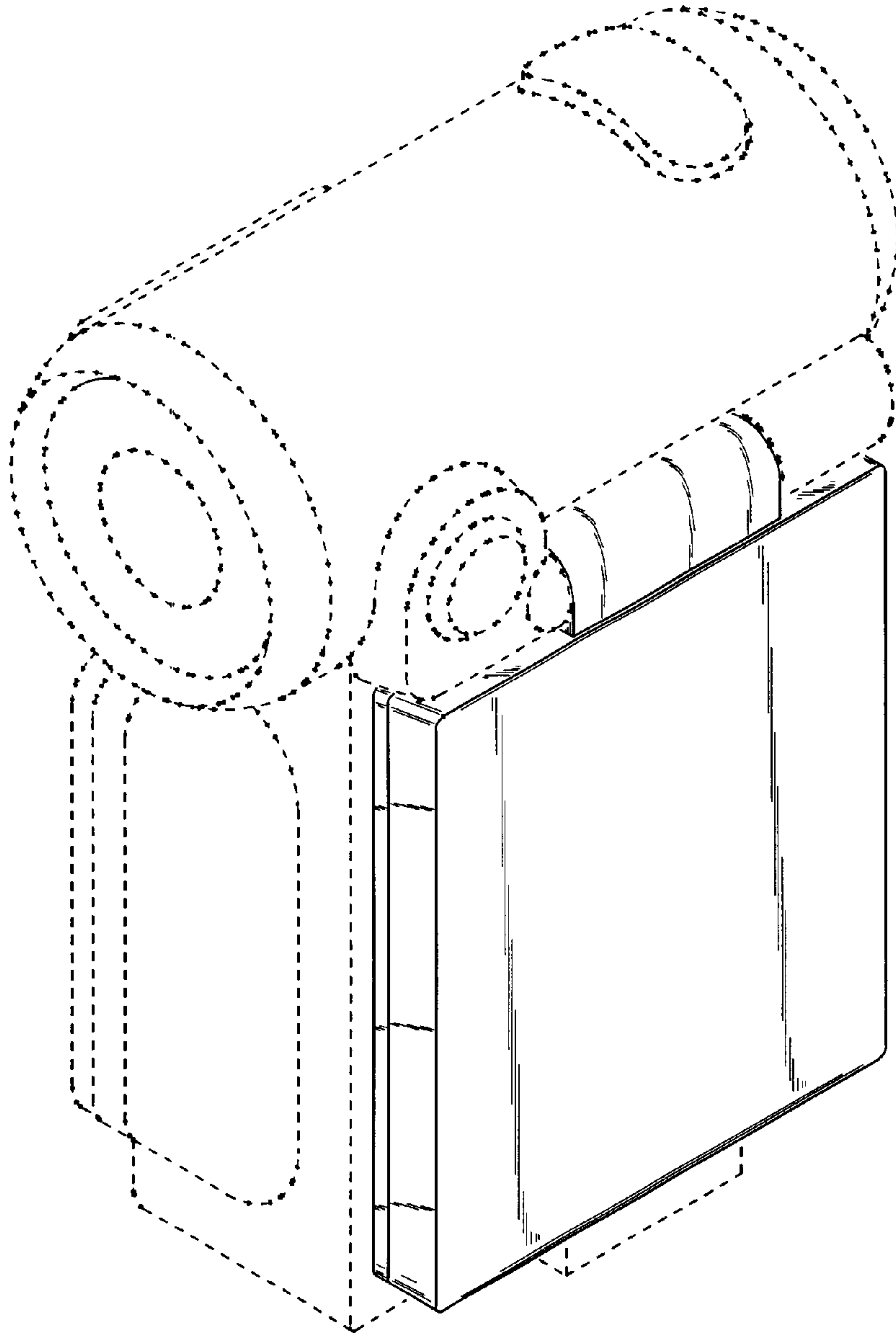
The ornamental design for a combined video camera and video tape recorder, as shown and described.

**DESCRIPTION**

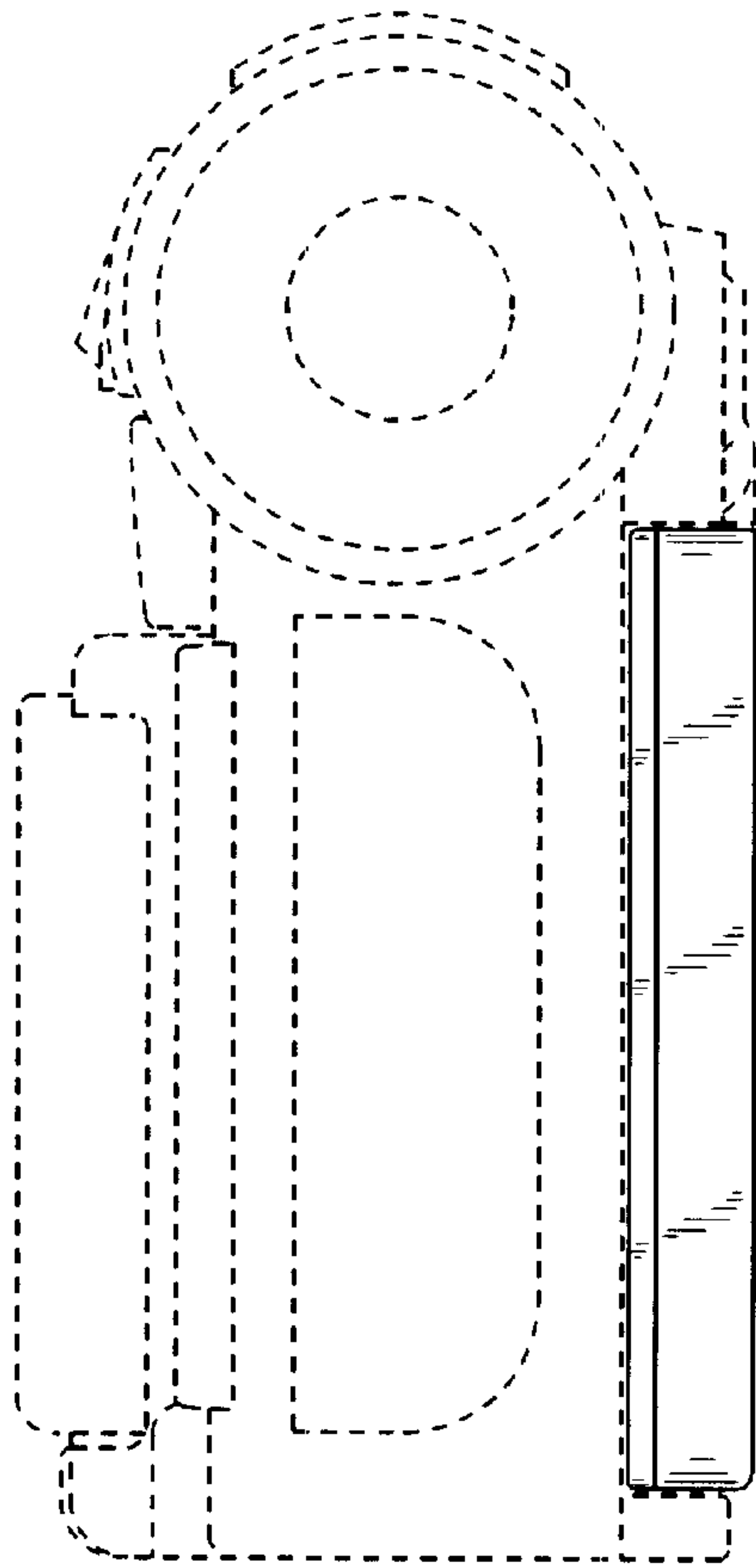
FIG. 1 is a perspective view of a combined video camera and video tape recorder showing my new design;  
 FIG. 2 is a front elevational view thereof;  
 FIG. 3 is a rear elevational view thereof;  
 FIG. 4 is a left side elevational view thereof;  
 FIG. 5 is a right side elevational view thereof;  
 FIG. 6 is a top plan view thereof;  
 FIG. 7 is a bottom plan view thereof;  
 FIG. 8 is another perspective view thereof, wherein the video camera is in a first alternating position;  
 FIG. 9 is yet another perspective view thereof, wherein the video camera is in a second alternating position;  
 FIG. 10 is yet another perspective view thereof, wherein the video camera is in a third alternating position; and,  
 FIG. 11 is yet another perspective view thereof, wherein the video camera is in a fourth alternating position.  
 Portions in broken lines are for illustrative purposes only and form no part of the claimed design.

**1 Claim, 8 Drawing Sheets**

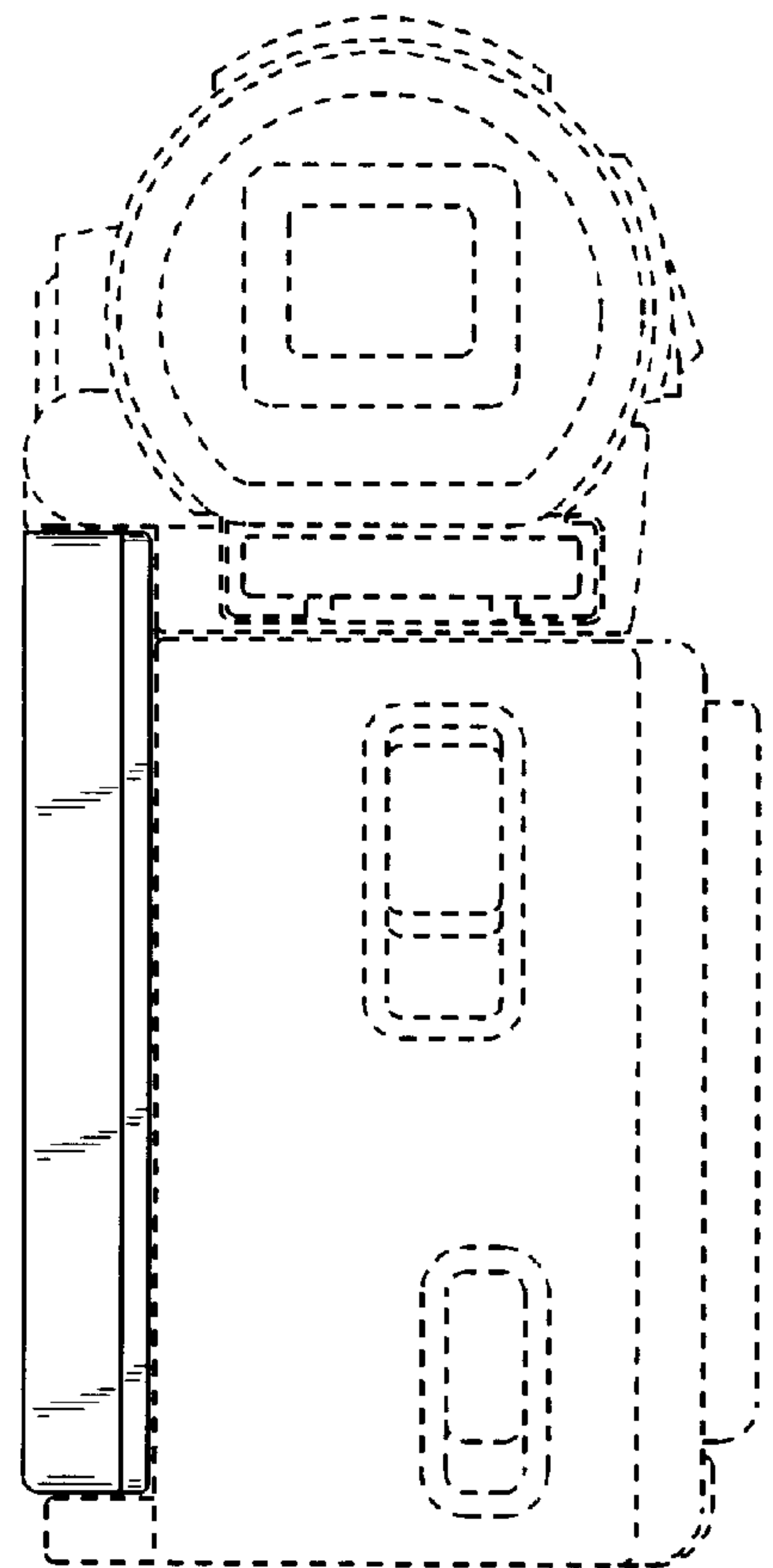




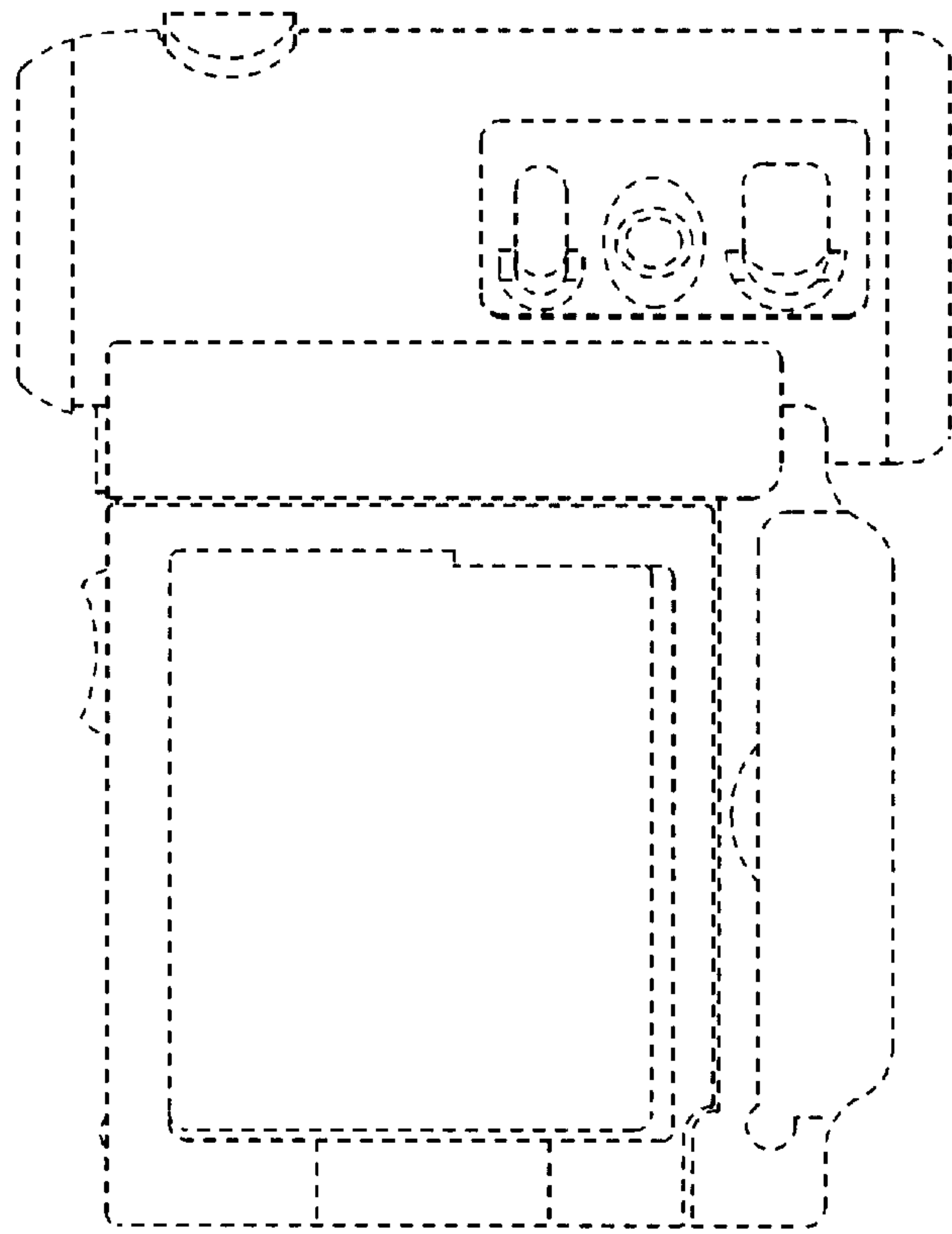
**Fig. 1**



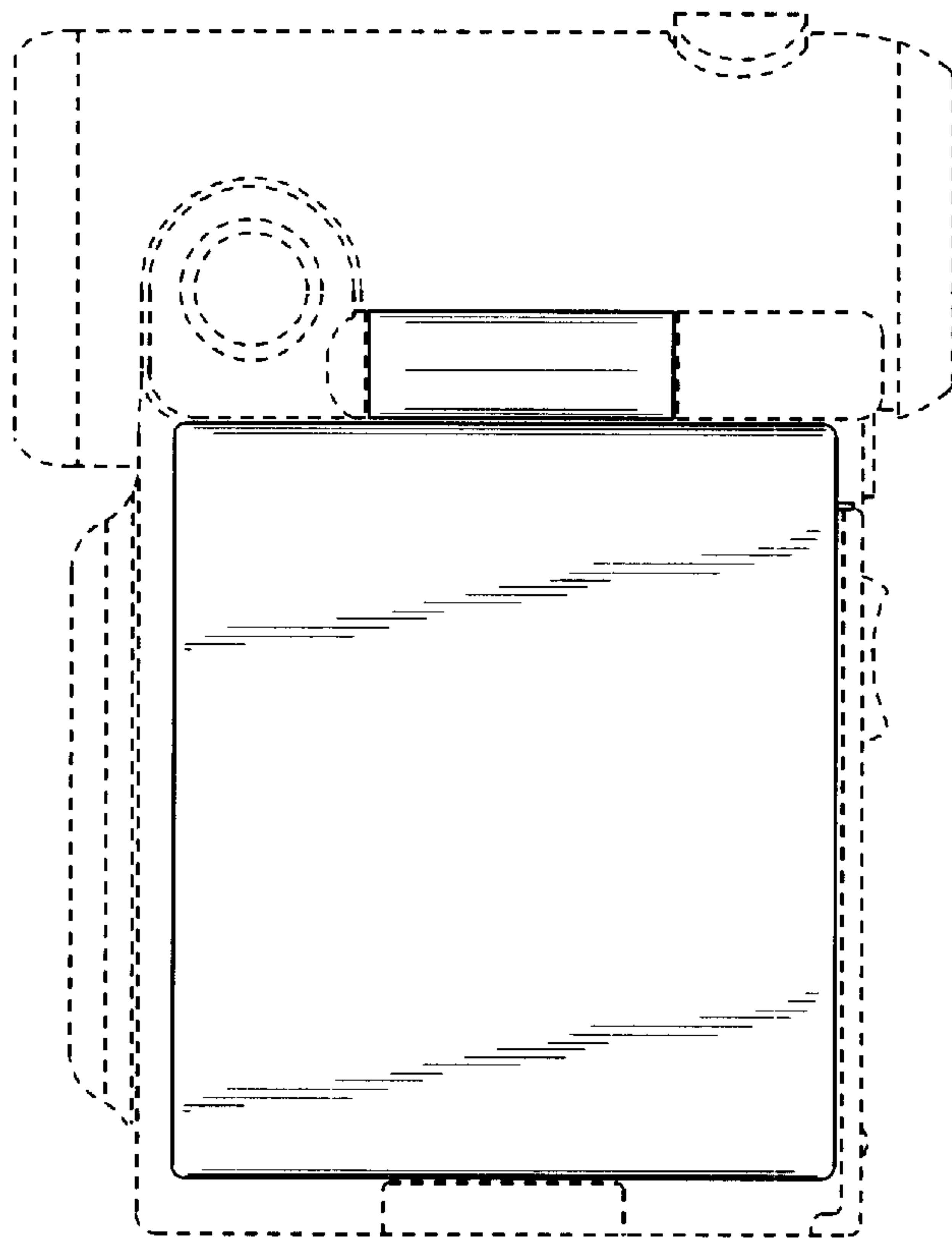
**Fig. 2**



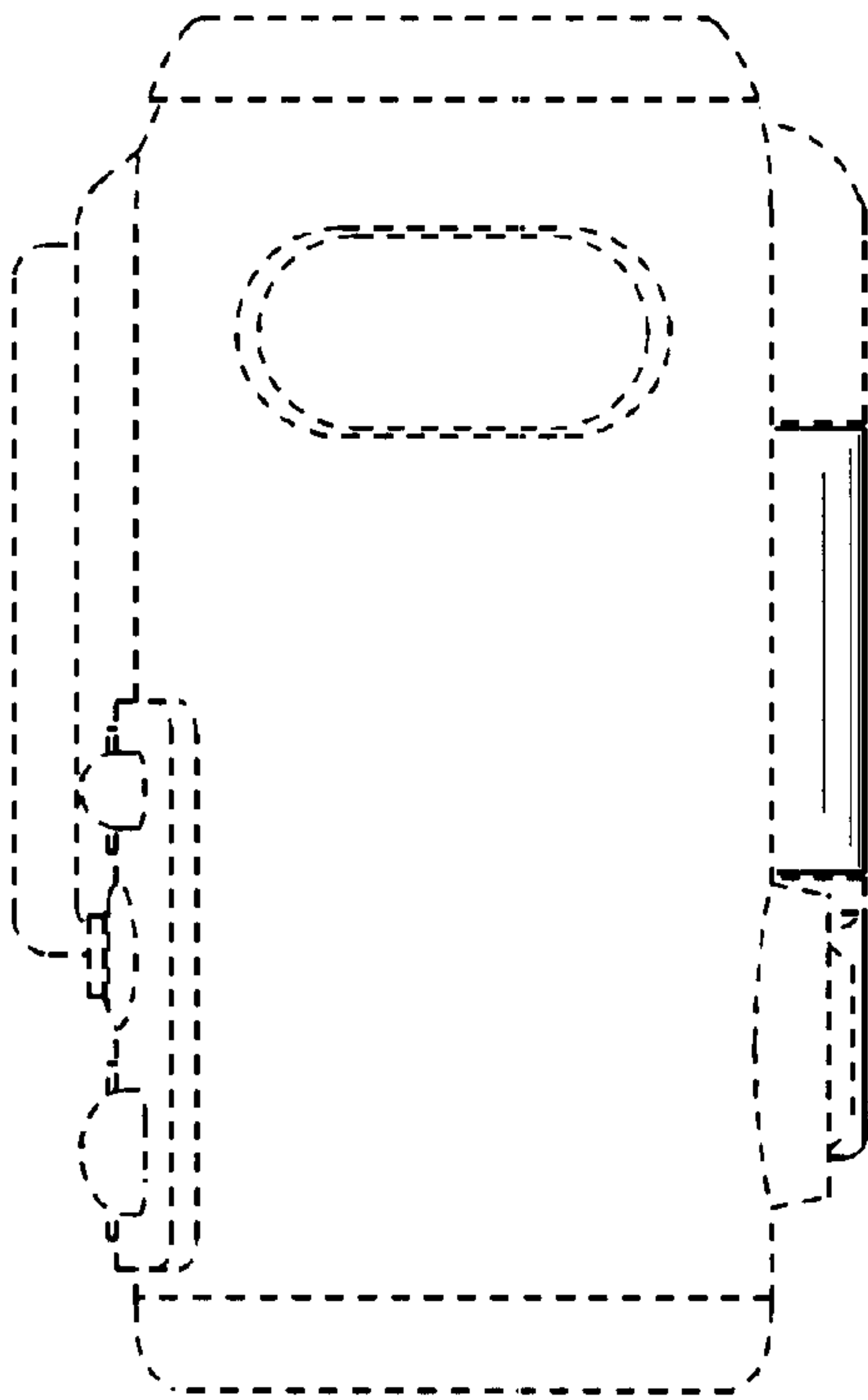
**Fig. 3**



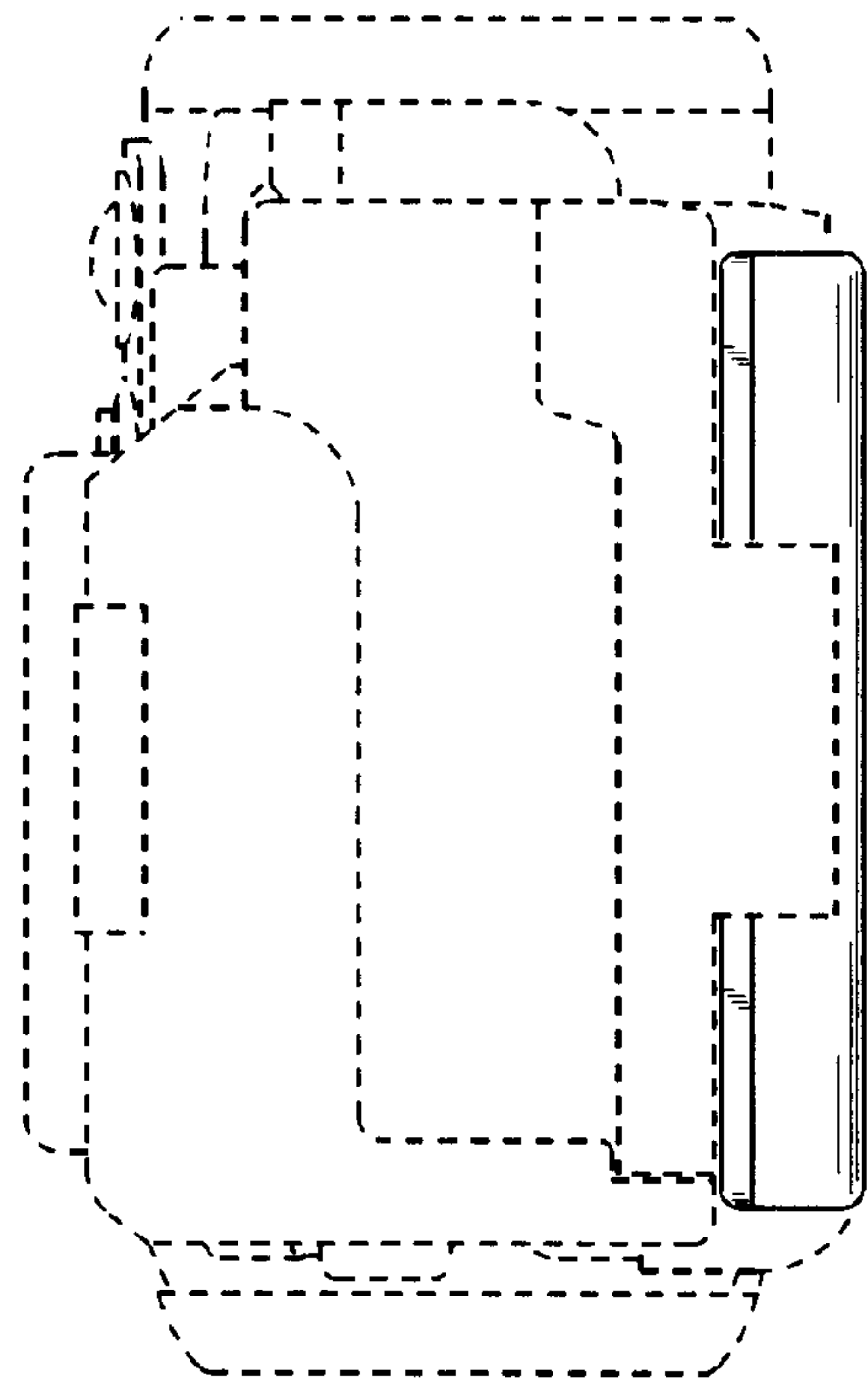
**Fig. 4**



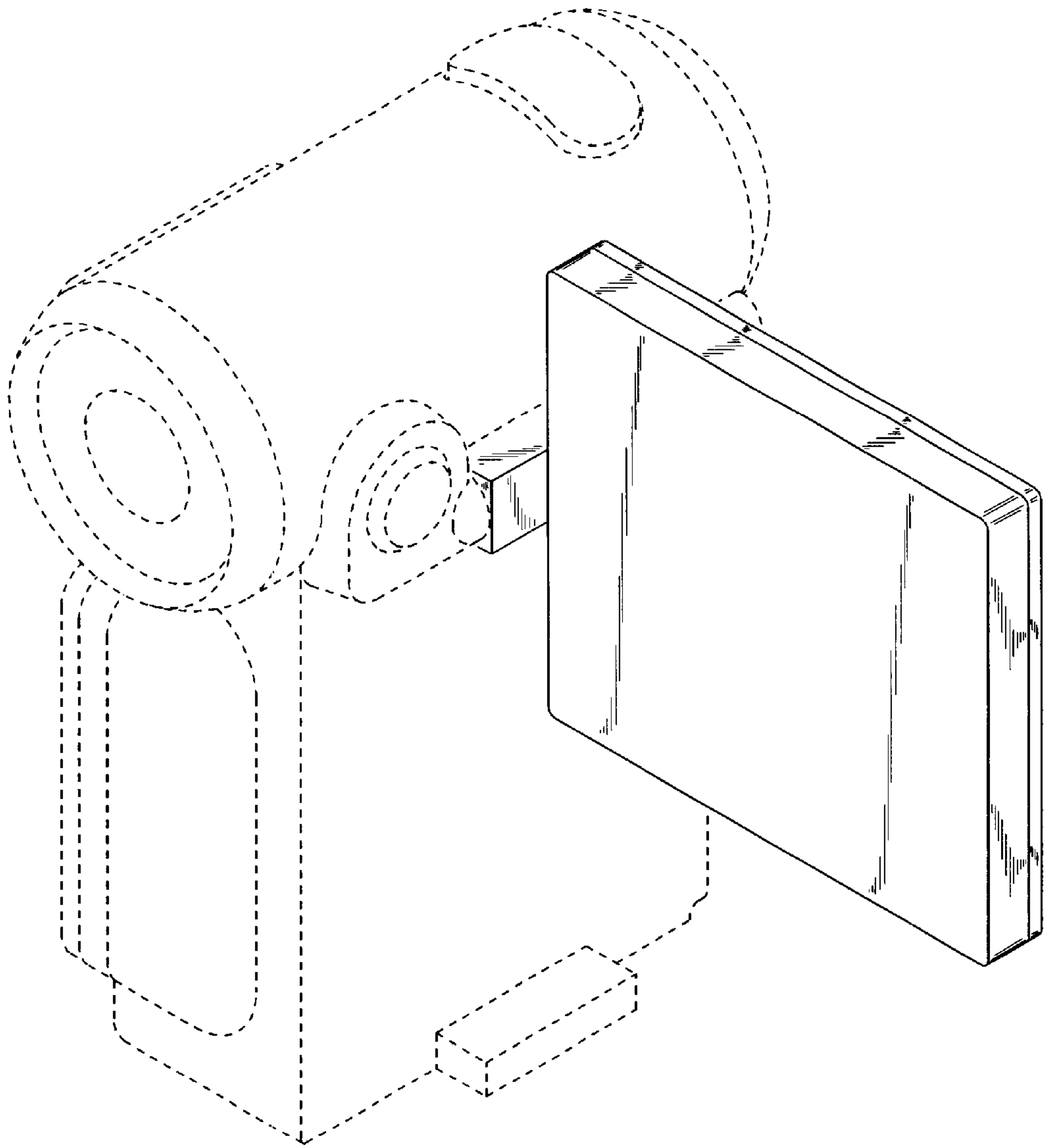
**Fig. 5**



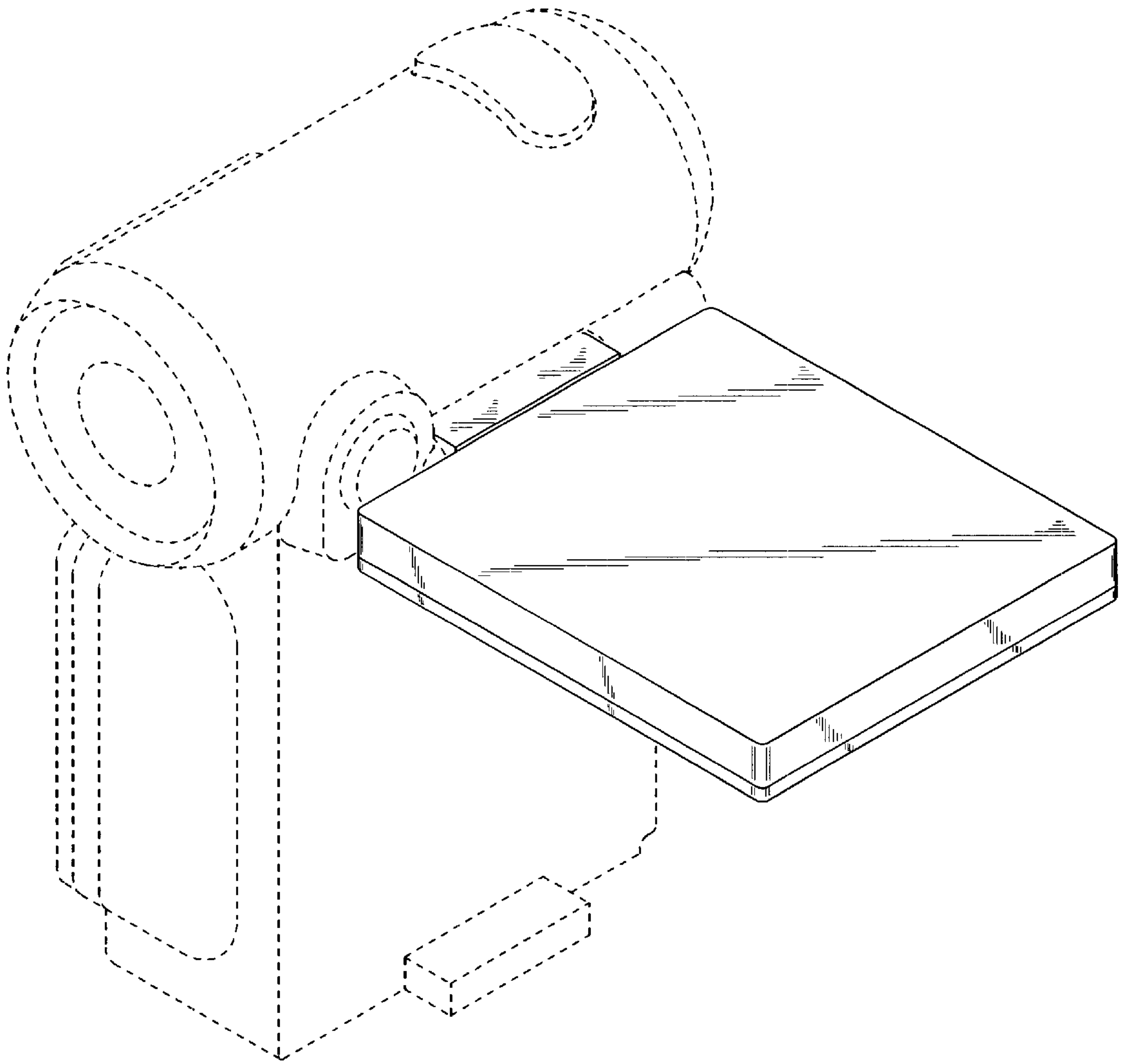
**Fig. 6**



**Fig. 7**

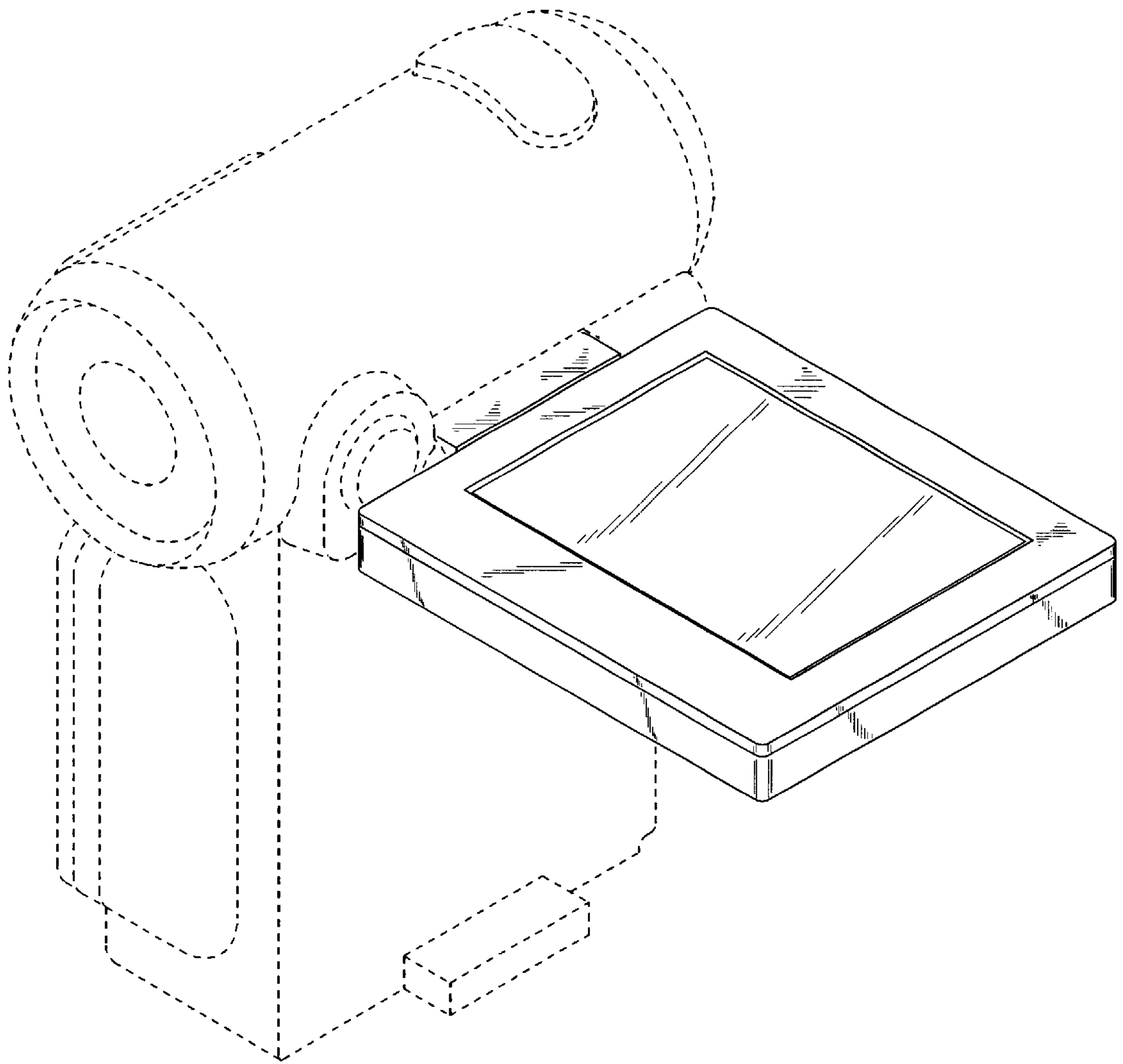


**Fig. 8**



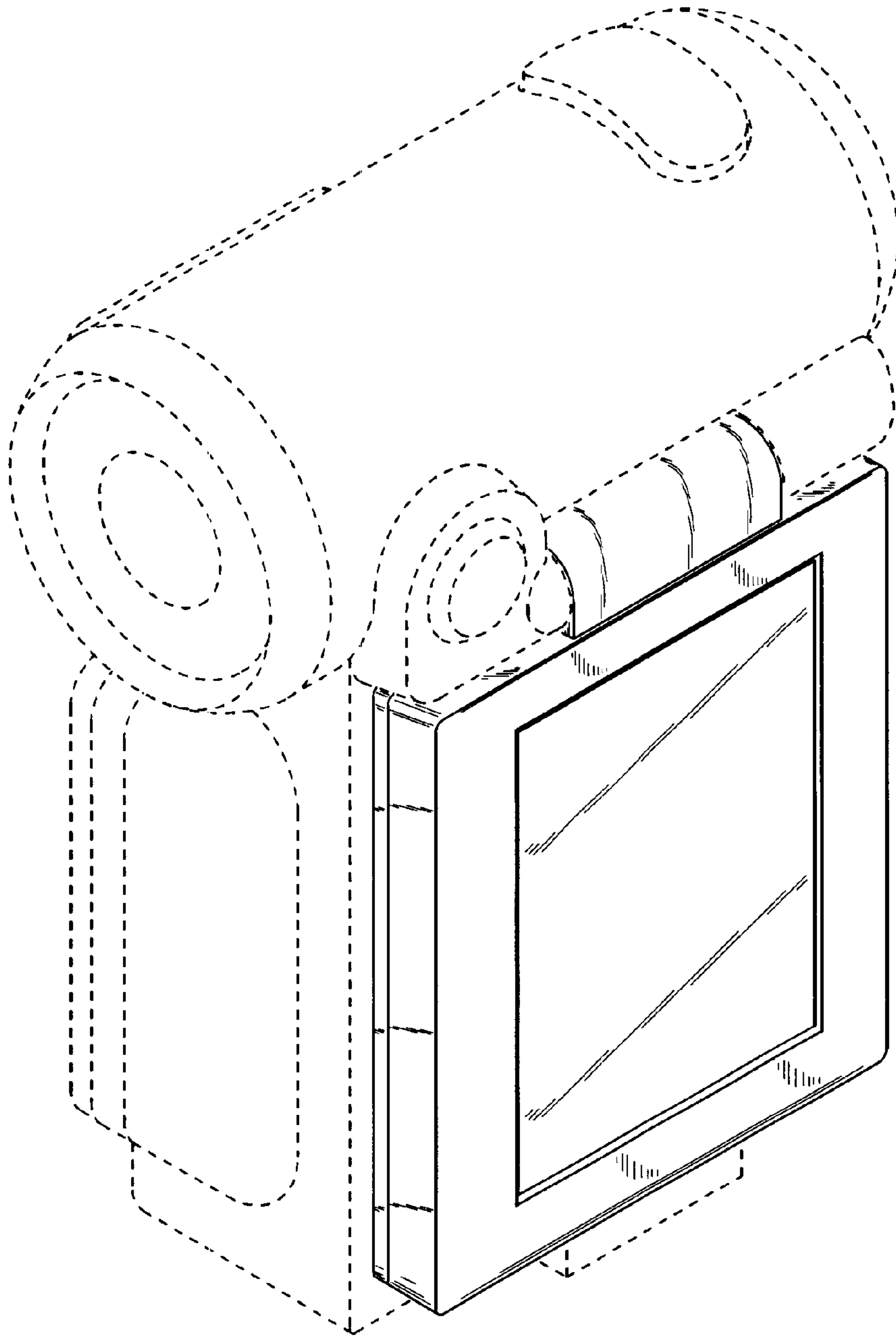
**Fig. 9**





**Fig. 10**





**Fig. 11**