



US00D467258S

(12) **United States Design Patent**
Tsergas

(10) **Patent No.:** **US D467,258 S**

(45) **Date of Patent:** **** Dec. 17, 2002**

(54) **GEAR BOX WITH MODIFIED MOUNTINGS**

D440,995 S 4/2001 Tsergas et al. D15/148

(75) Inventor: **Athanas N. Tsergas**, Wood Dale, IL (US)

* cited by examiner

(73) Assignee: **Molon Motor & Coil Corporation**, Rolling Meadows, IL (US)

Primary Examiner—Antoine Duval Davis
(74) *Attorney, Agent, or Firm*—Oblon, Spivak, McClelland, Maier & Neustadt, P.C.

(**) Term: **14 Years**

(57) **CLAIM**

(21) Appl. No.: **29/150,288**

The ornamental design for a gear box with modified mountings, as shown and described.

(22) Filed: **Nov. 20, 2001**

DESCRIPTION

(51) **LOC (7) Cl.** **15-09**

(52) **U.S. Cl.** **D15/148**

(58) **Field of Search** D15/148, 149;
74/412 R, 414, 421 R, 496, 420

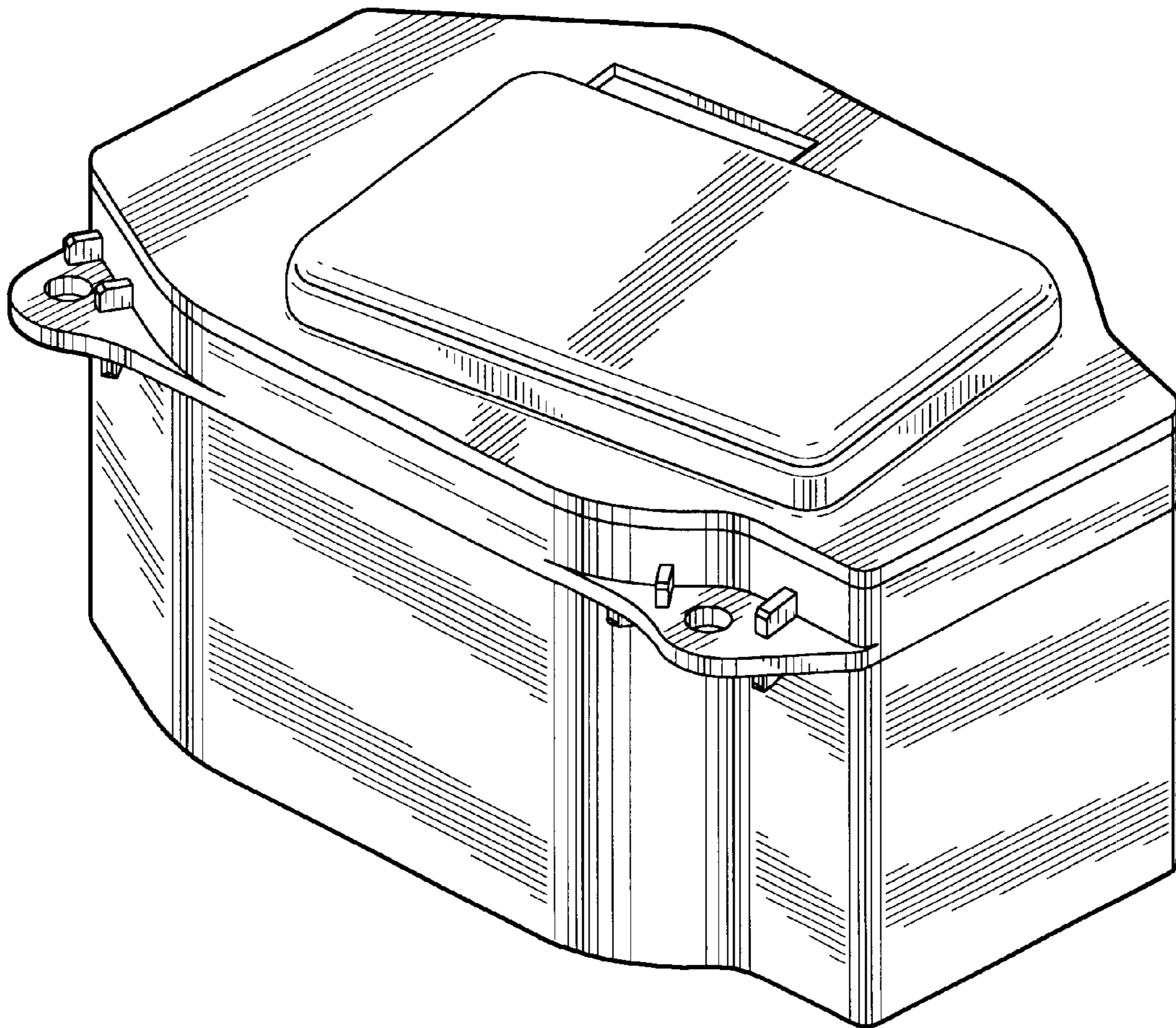
FIG. 1 is a left side elevational view of a gear box with modified mountings showing my new design.
FIG. 2 is a right side elevational view thereof.
FIG. 3 is a front end elevational view thereof.
FIG. 4 is a rear end elevational view thereof.
FIG. 5 is a top plan view thereof;
FIG. 6 is a bottom plan view thereof.
FIG. 7 is a front and upper left perspective view thereof; and,
FIG. 8 is a bottom and lower left perspective view thereof.

(56) **References Cited**

U.S. PATENT DOCUMENTS

- 5,634,374 A * 6/1997 Depietri 74/420
- D400,220 S * 10/1998 Nemoto et al. D15/148
- 6,170,354 B1 * 1/2001 Lee 74/496

1 Claim, 8 Drawing Sheets



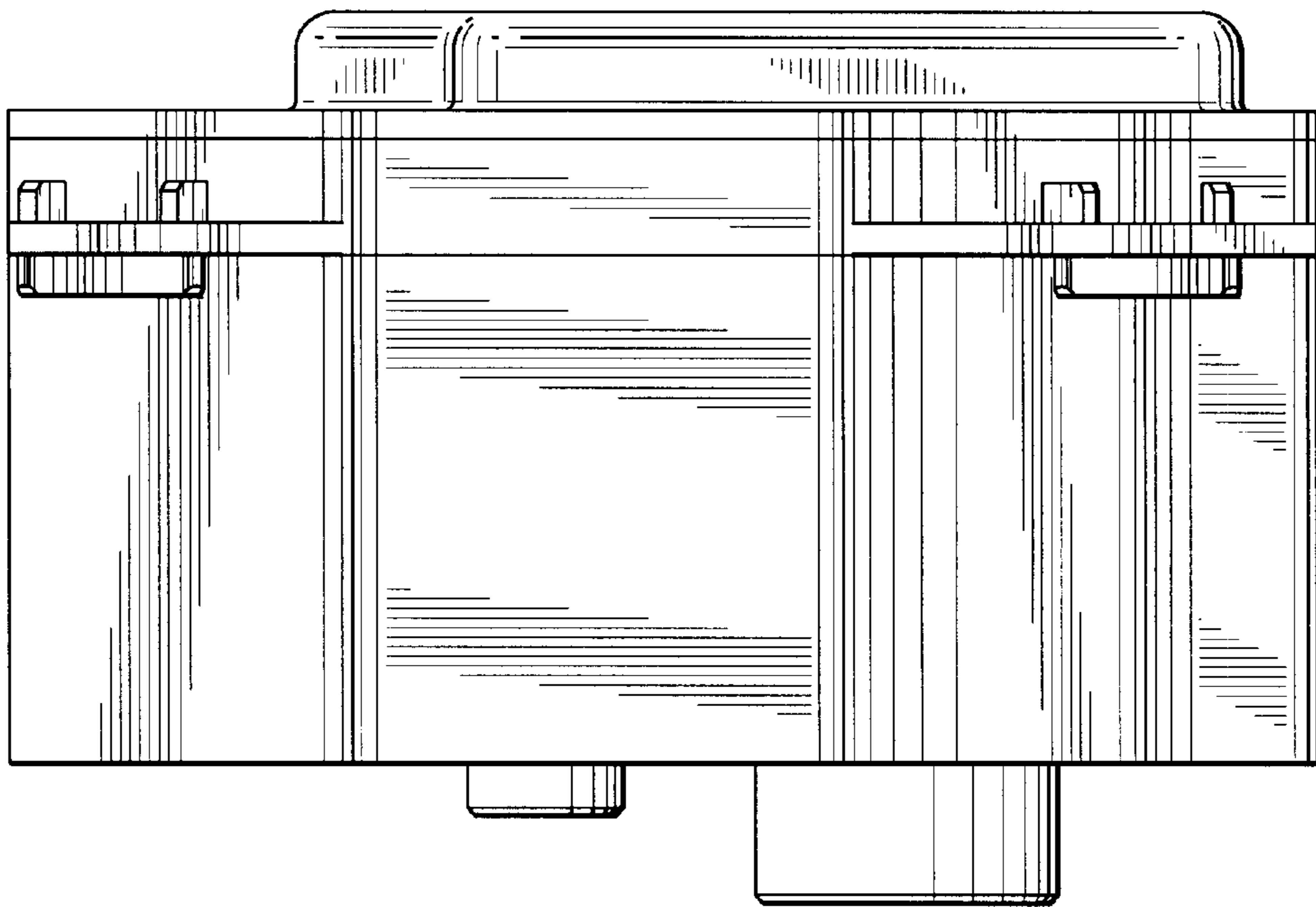


FIG. 1

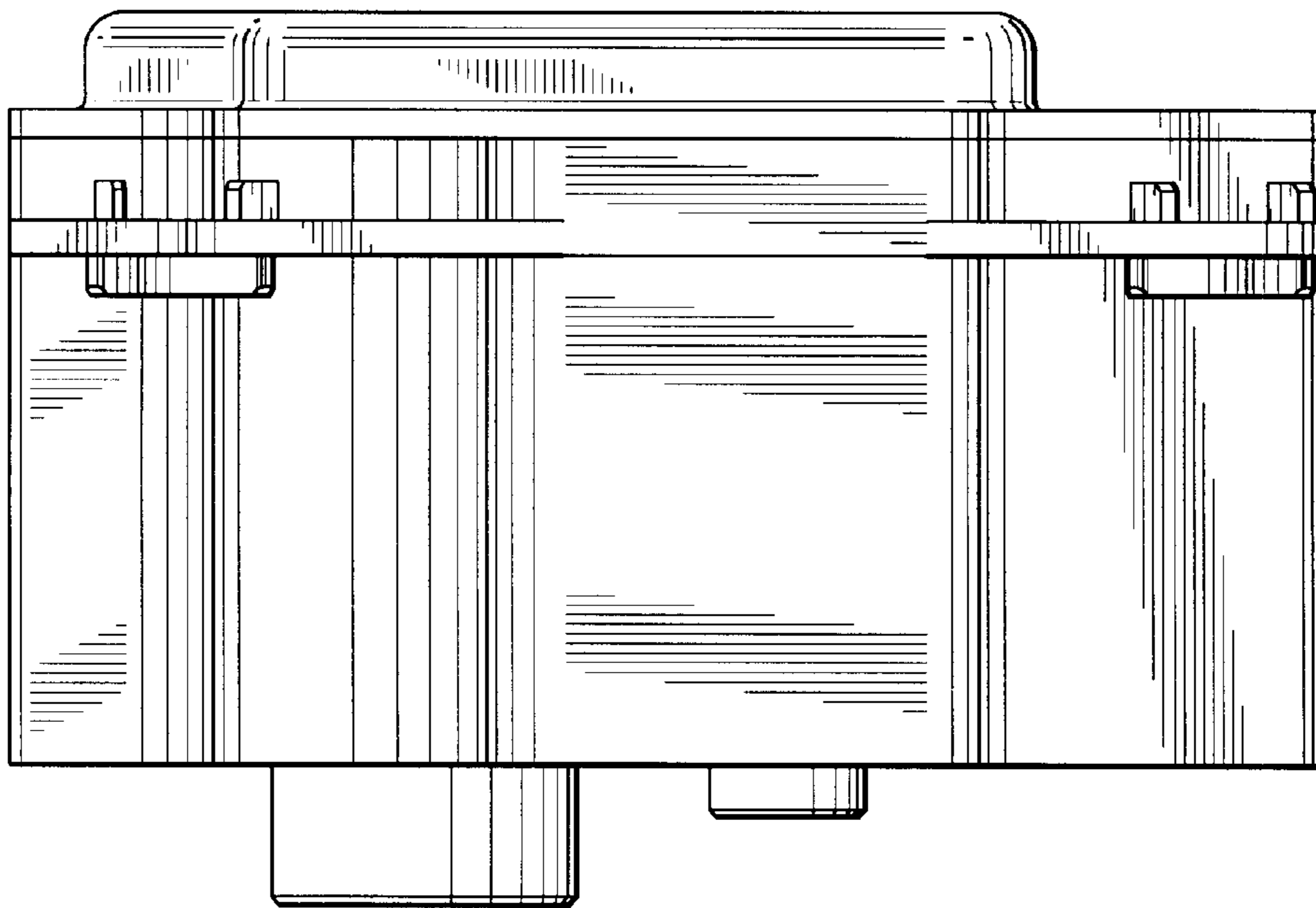


FIG. 2

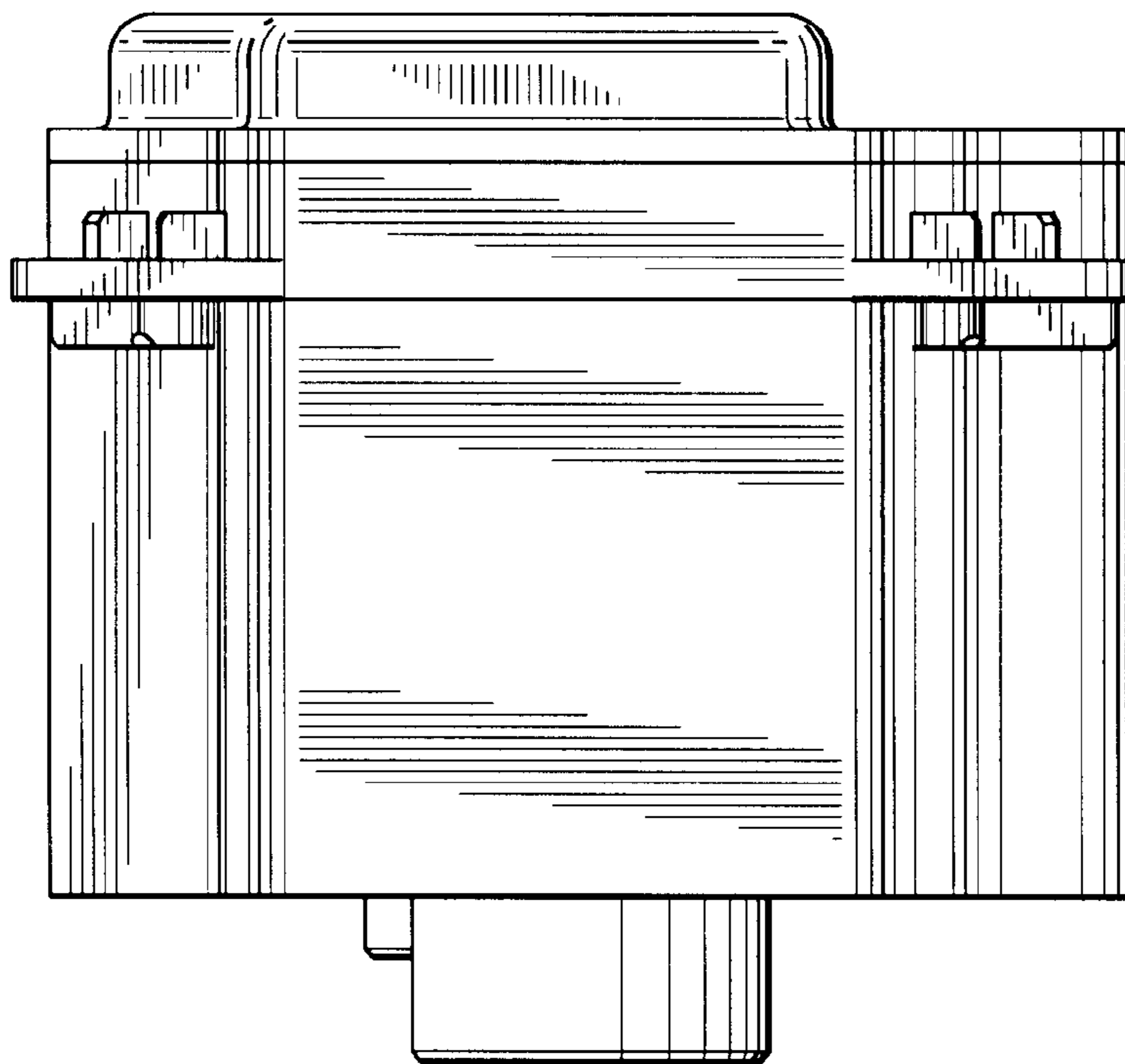


FIG. 3

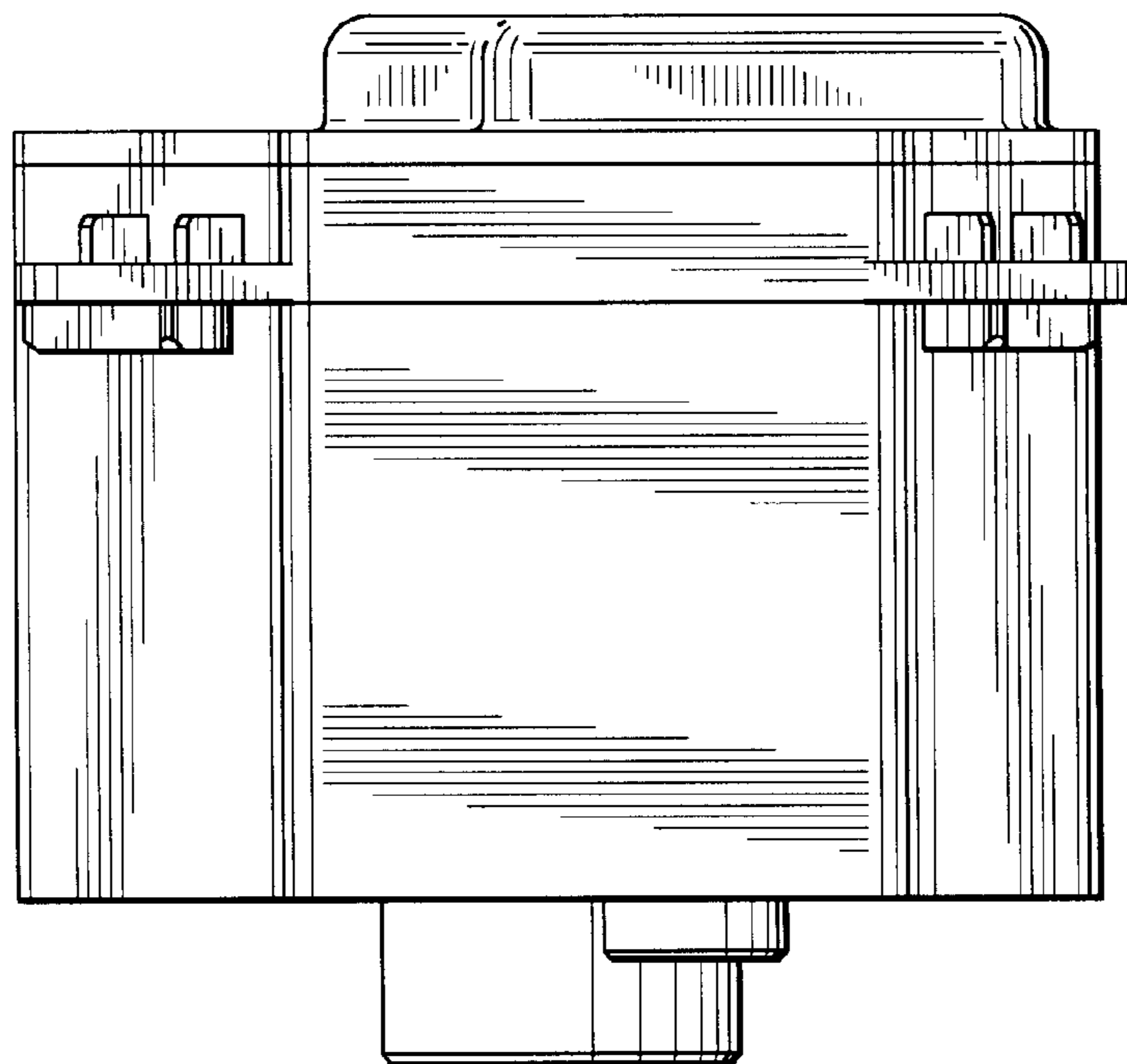


FIG. 4

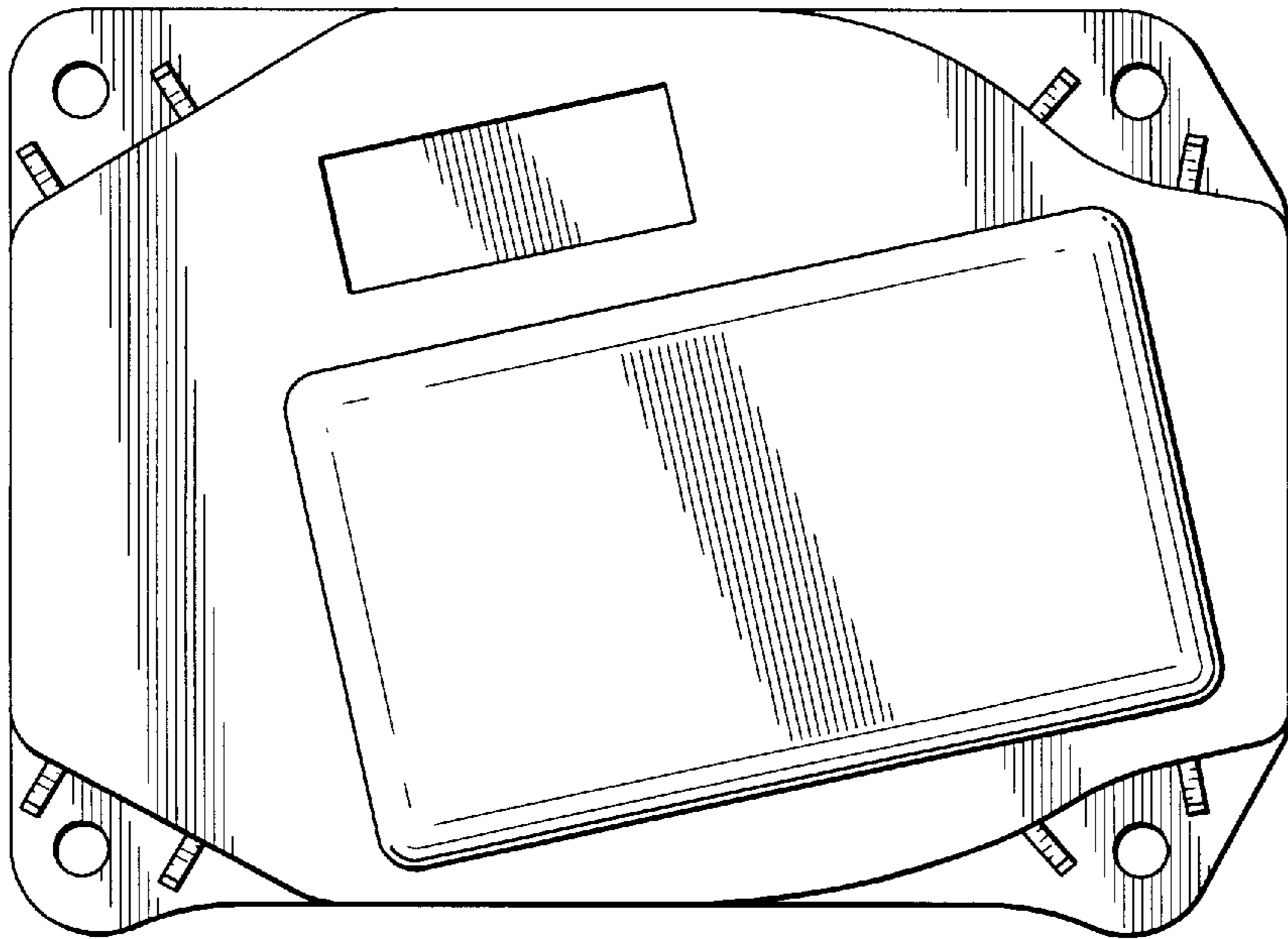


FIG. 5

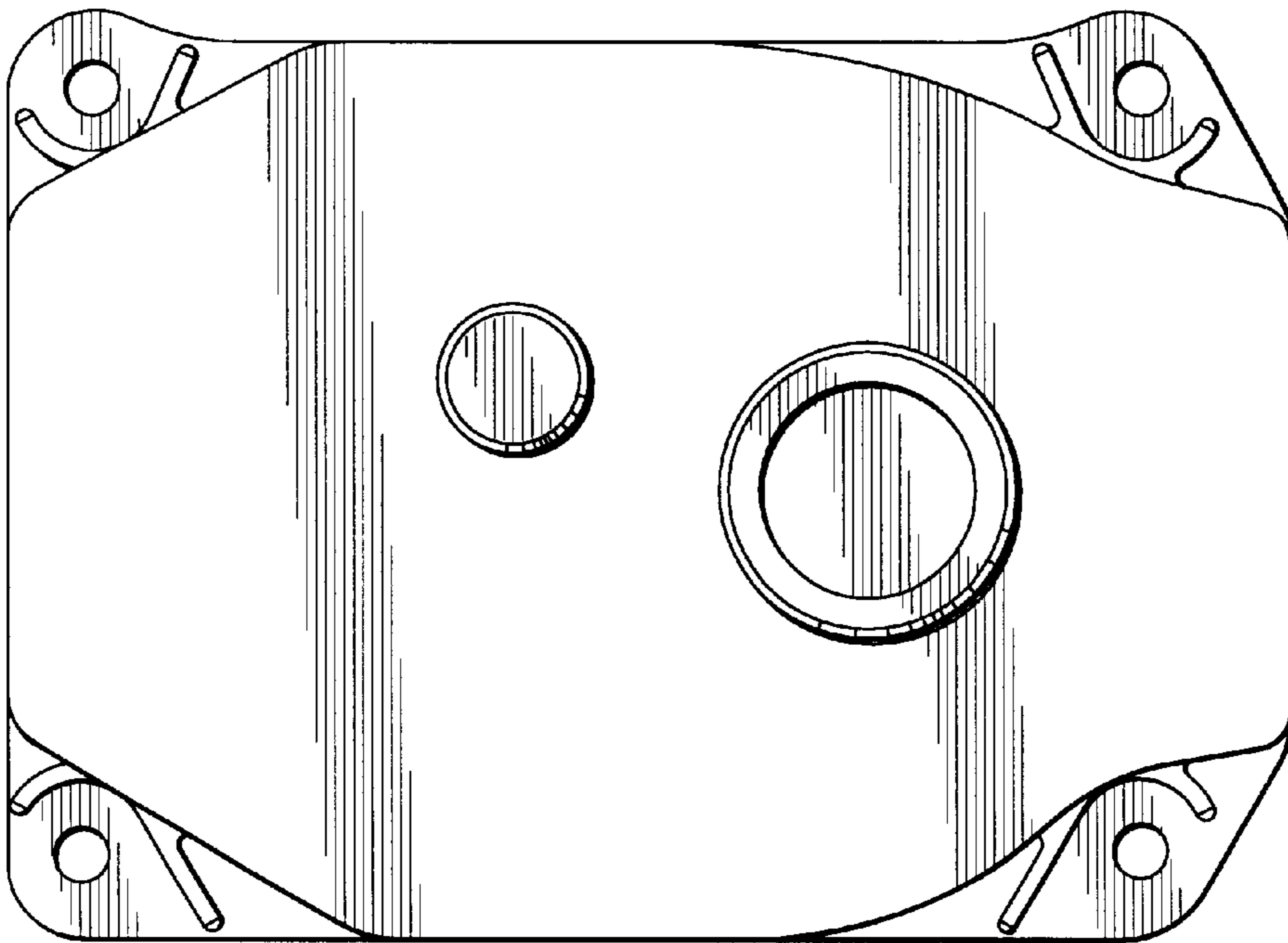


FIG. 6

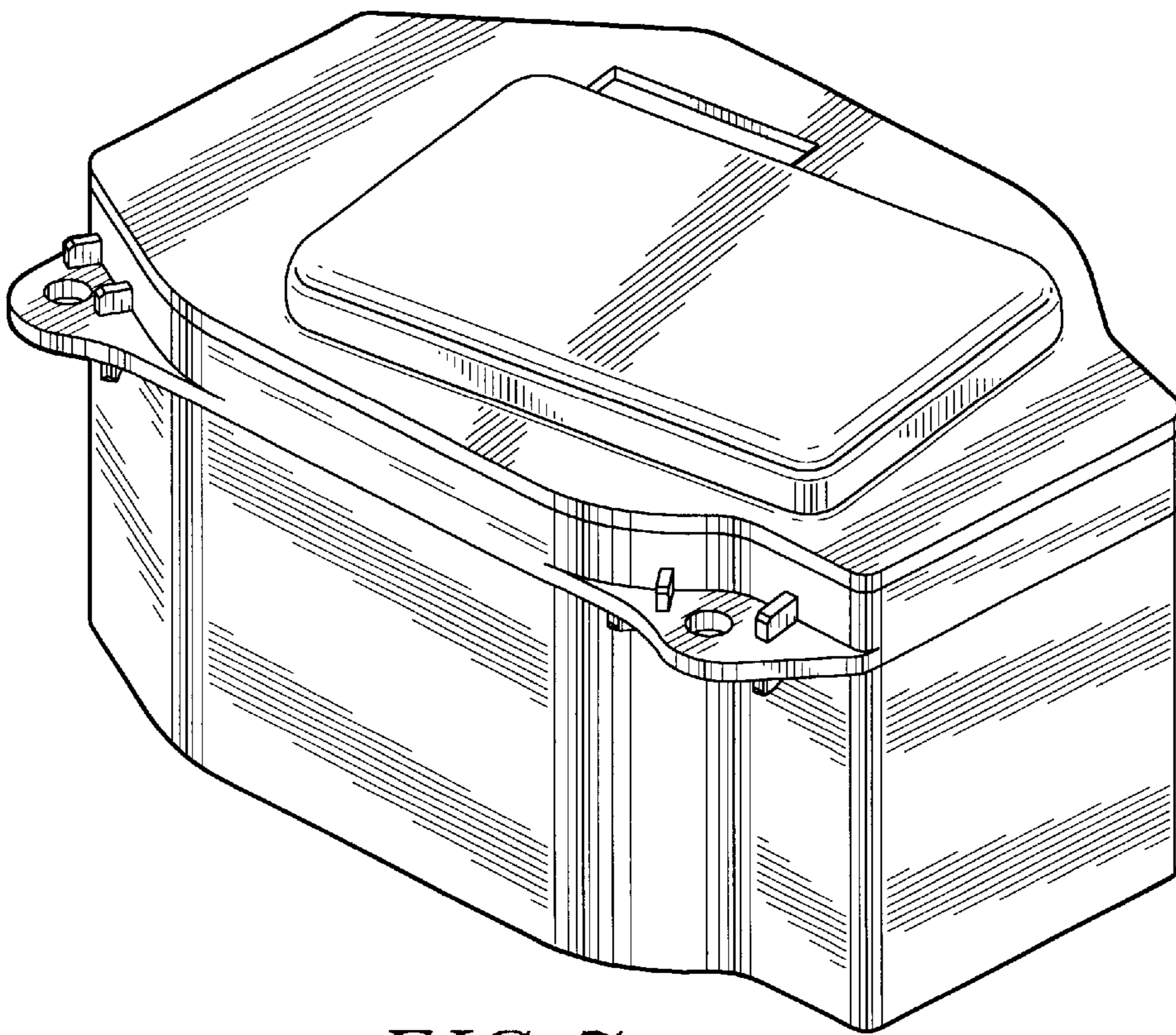


FIG. 7

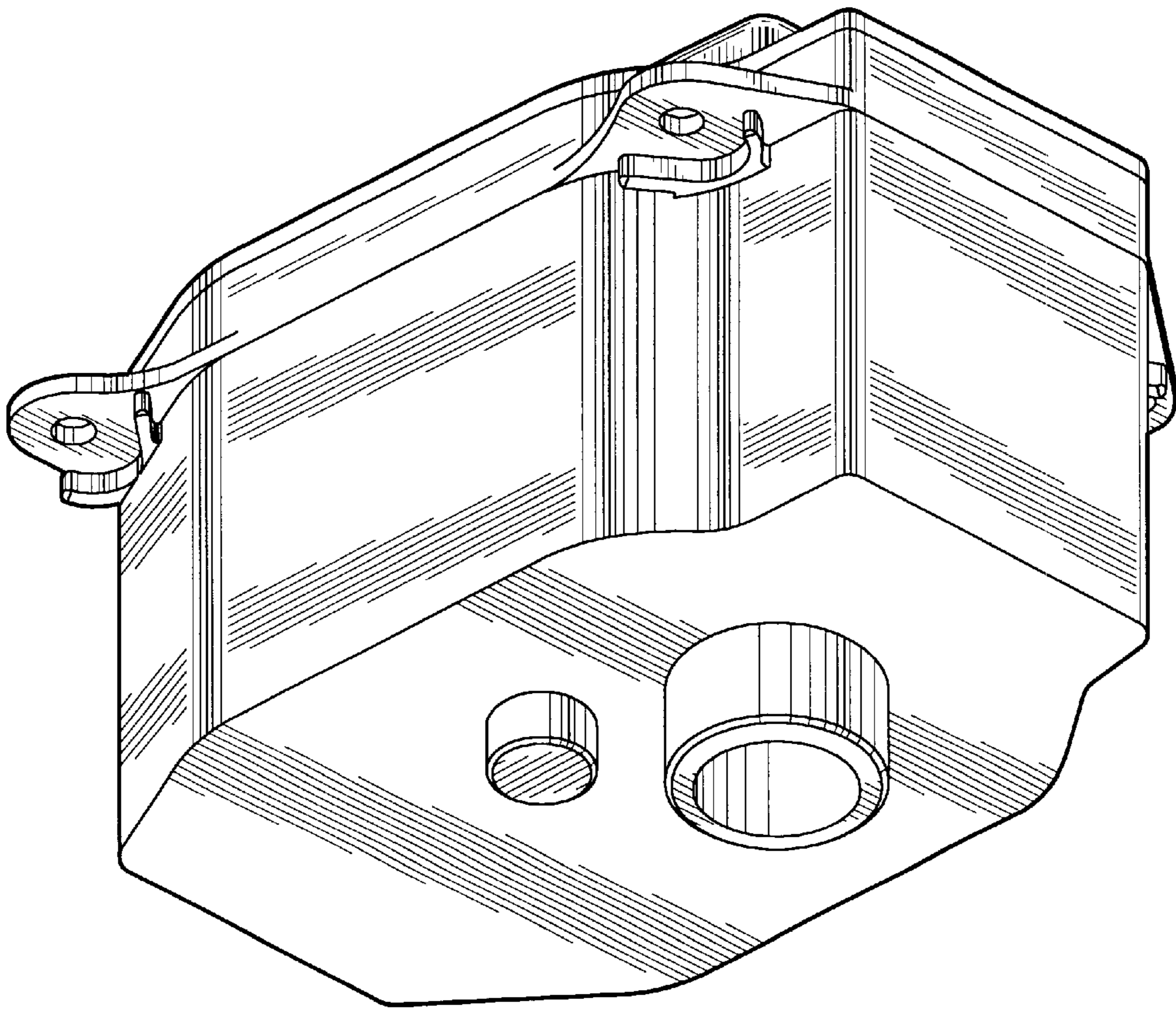


FIG. 8

UNITED STATES PATENT AND TRADEMARK OFFICE
CERTIFICATE OF CORRECTION

PATENT NO. : Des. 467,258 S
DATED : December 17, 2002
INVENTOR(S) : Athanase N. Tsergas

Page 1 of 1

It is certified that error appears in the above-identified patent and that said Letters Patent is hereby corrected as shown below:

Title page,

Item [75], correct the spelling of the inventor's given name from "Athanas"
to -- Athanase --.

Signed and Sealed this

Eighth Day of April, 2003

A handwritten signature in black ink, appearing to read "James E. Rogan", written over a horizontal line.

JAMES E. ROGAN

Director of the United States Patent and Trademark Office