



US00D467256S

(12) **United States Design Patent**
Chunn et al.

(10) **Patent No.:** **US D467,256 S**

(45) **Date of Patent:** **** Dec. 17, 2002**

(54) **CORDLESS MITER SAW**

(75) Inventors: **Daniel Alex Chunn**, Kowloon (HK);
Gordon Lap Hon Tsang, Tuen Mun (HK)

(73) Assignee: **One World Technologies Limited**
(BM)

(**) Term: **14 Years**

(21) Appl. No.: **29/151,654**

(22) Filed: **Dec. 5, 2001**

(51) **LOC (7) Cl.** **15-09**

(52) **U.S. Cl.** **D15/133**

(58) **Field of Search** D15/133, 141;
83/471.1-471.3, 468.3-468.7, 477, 478,
490, 581

(56) **References Cited**

U.S. PATENT DOCUMENTS

- 5,042,348 A * 8/1991 Brundage et al. 83/471.3
- D334,576 S * 4/1993 Kawakami et al. D15/133
- 5,285,708 A 2/1994 Bosten et al.
- D346,173 S 4/1994 Price
- D352,509 S 11/1994 Kriaski et al.

- 5,375,495 A 12/1994 Bosten et al.
- D388,442 S 12/1997 Shibata et al.
- D409,066 S 5/1999 Welsh
- D415,001 S 10/1999 Welsh
- D422,864 S 4/2001 Welsh
- D441,771 S 5/2001 Bean et al.

* cited by examiner

Primary Examiner—Antoine Duval Davis

(74) *Attorney, Agent, or Firm*—Brooks & Kushman P.C.

(57) **CLAIM**

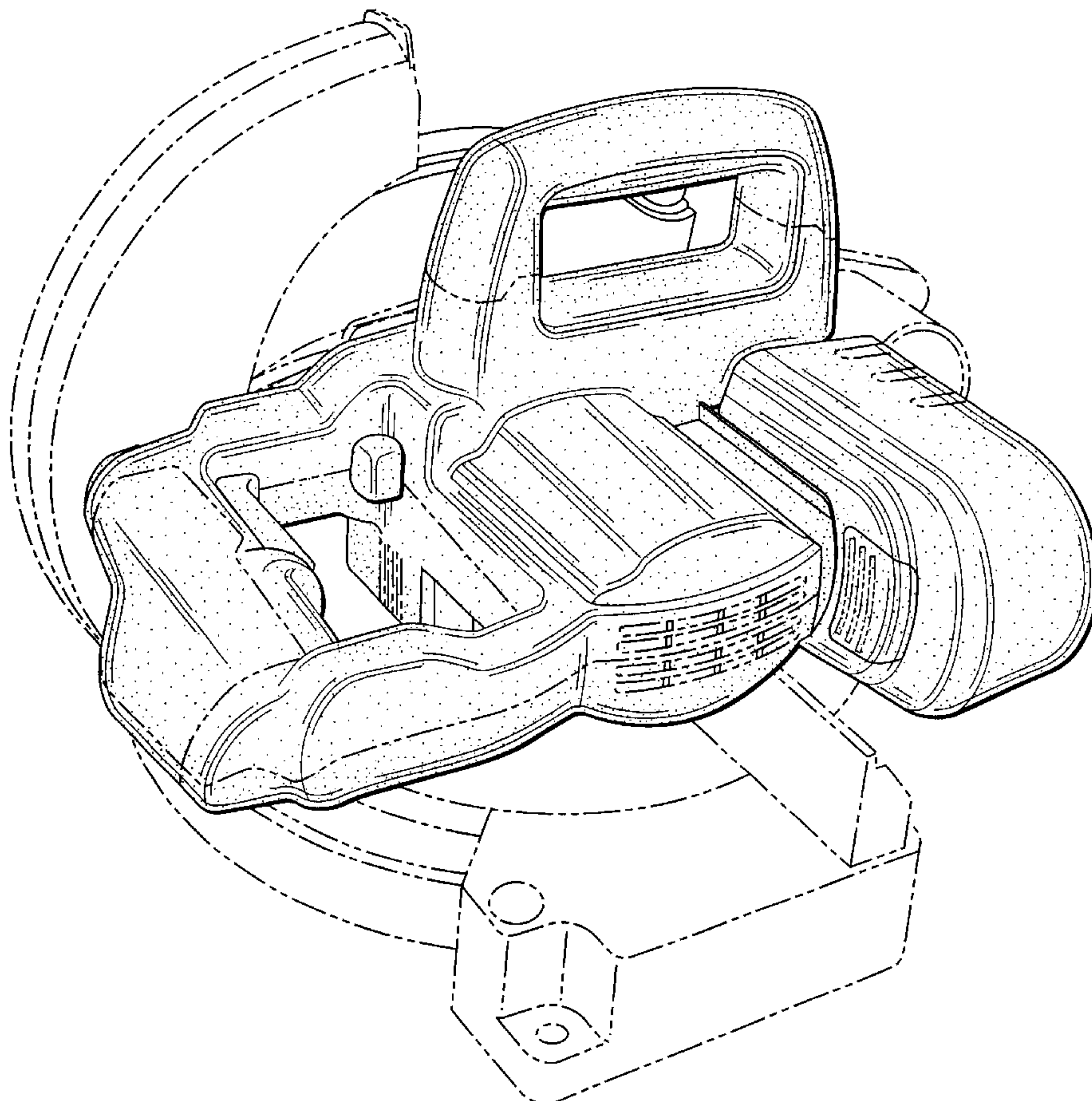
The ornamental design for a cordless miter saw, as shown and described.

DESCRIPTION

FIG. 1 is a perspective view of a cordless miter saw; FIG. 2 is a right side elevational view thereof; FIG. 3 is a left side elevational view thereof; FIG. 4 is a front elevational view thereof; FIG. 5 is a rear elevational view thereof; FIG. 6 is a top plan view thereof; and, FIG. 7 is a bottom plan view of the present invention.

No claim is made to the portions of the drill illustrated in phantom line.

1 Claim, 4 Drawing Sheets



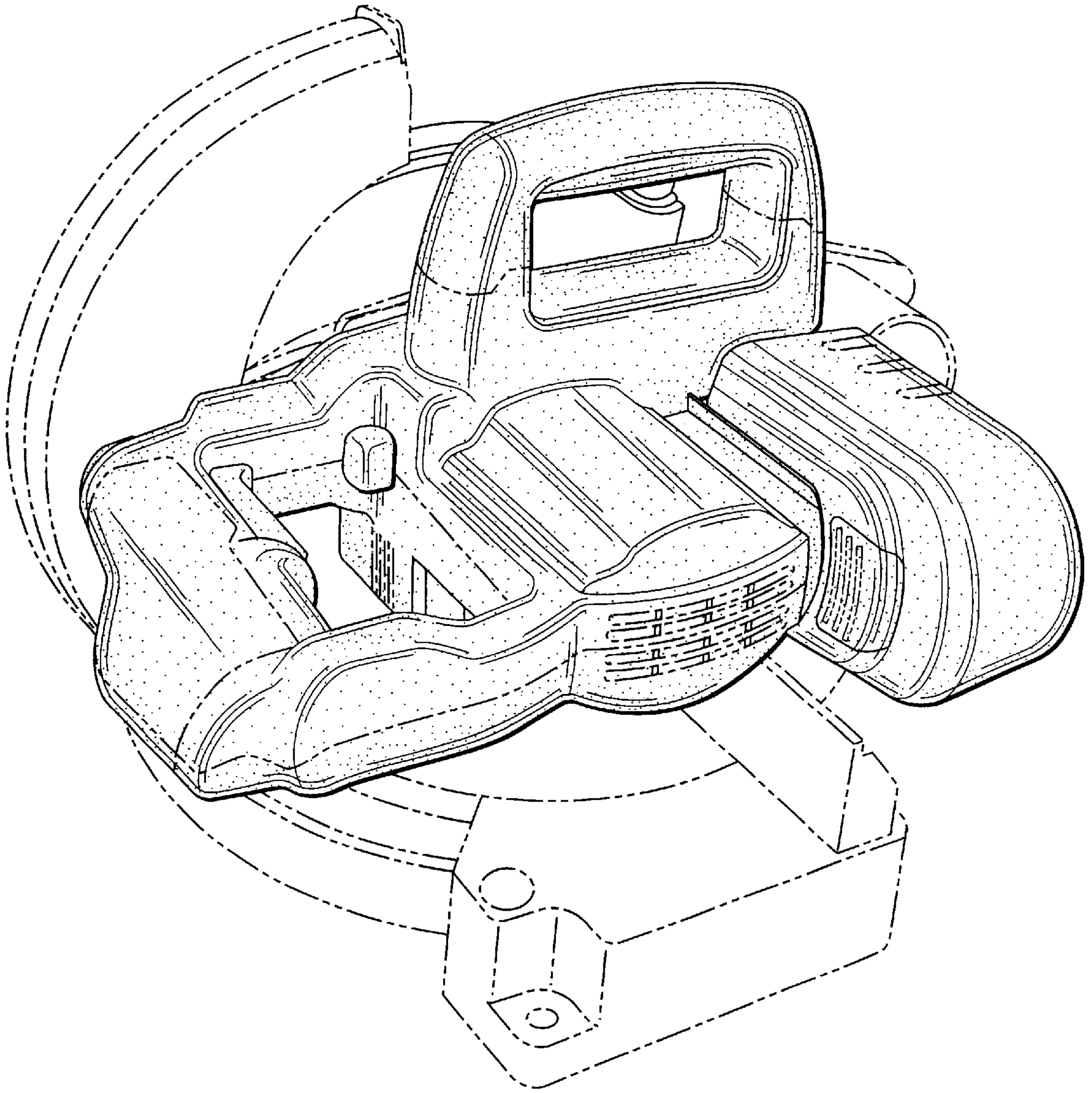


Fig. 1

Fig. 2

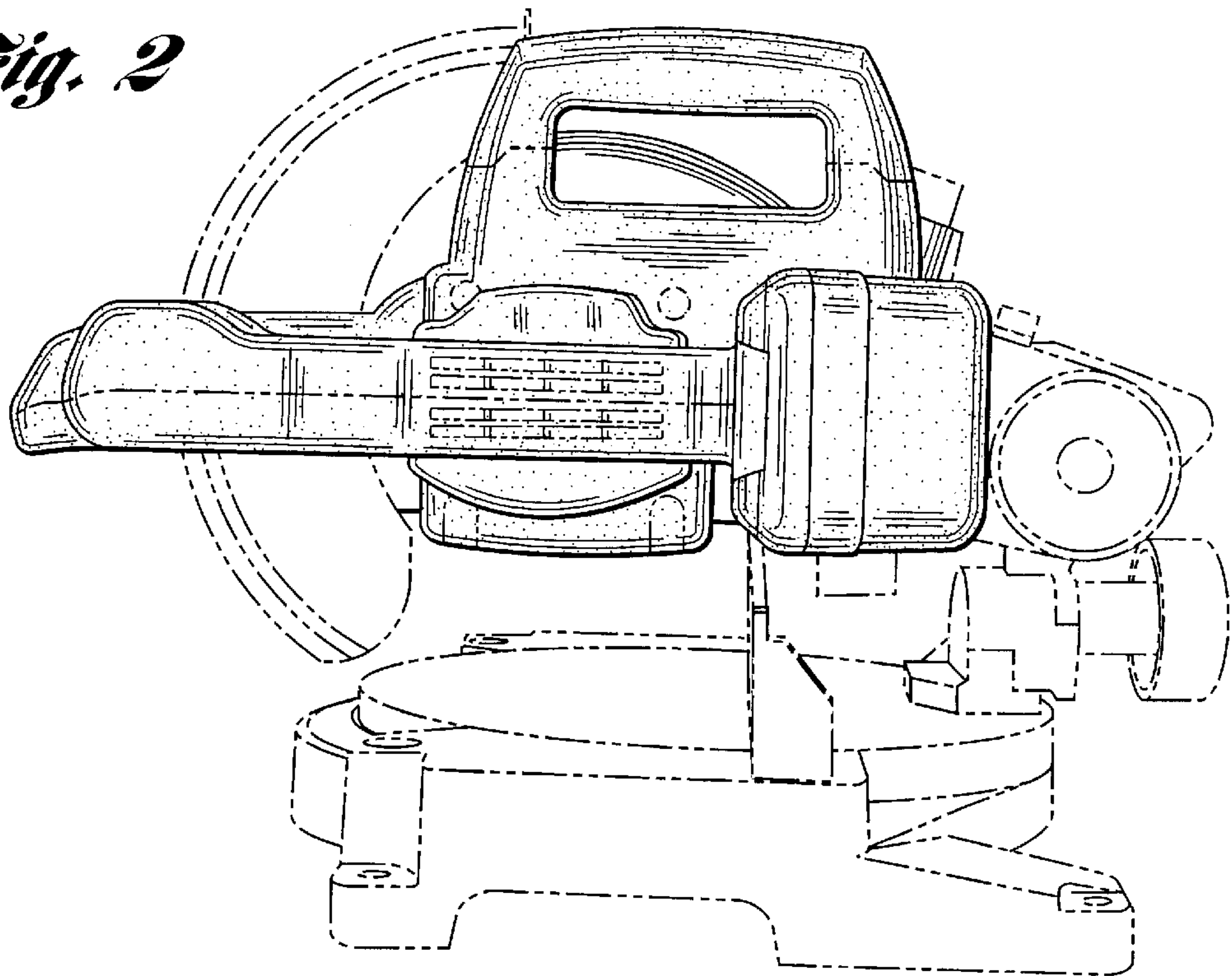


Fig. 3

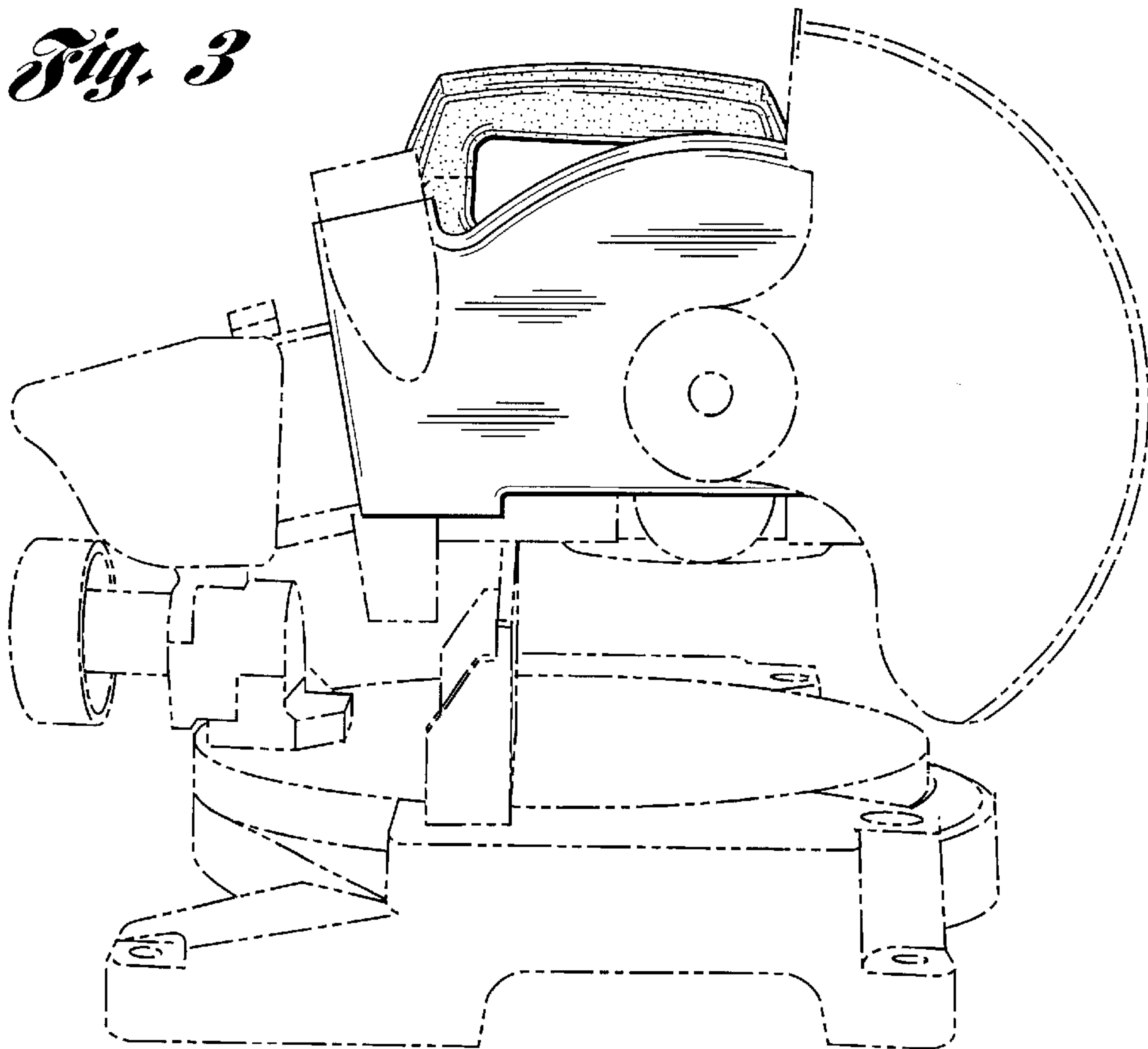


Fig. 4

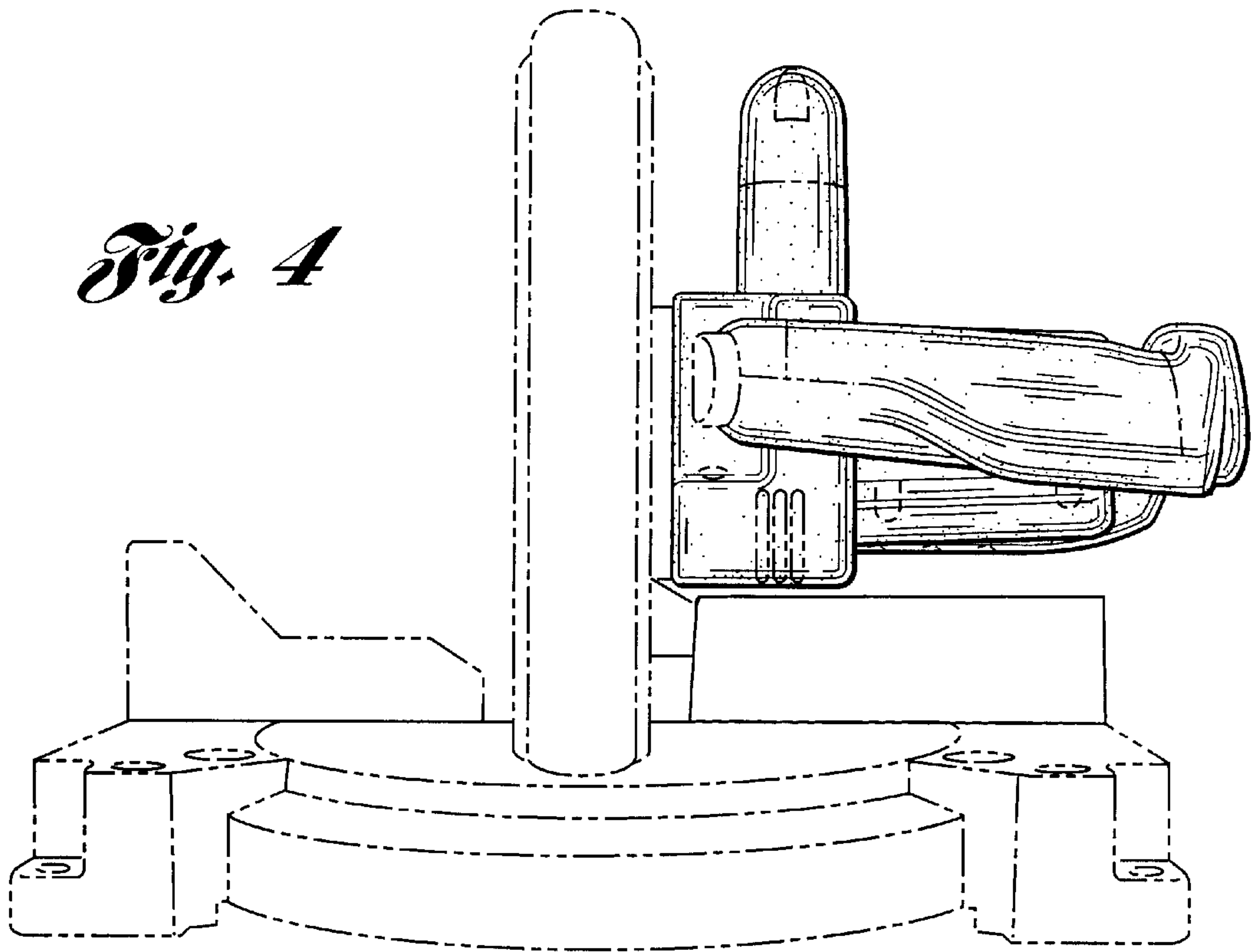
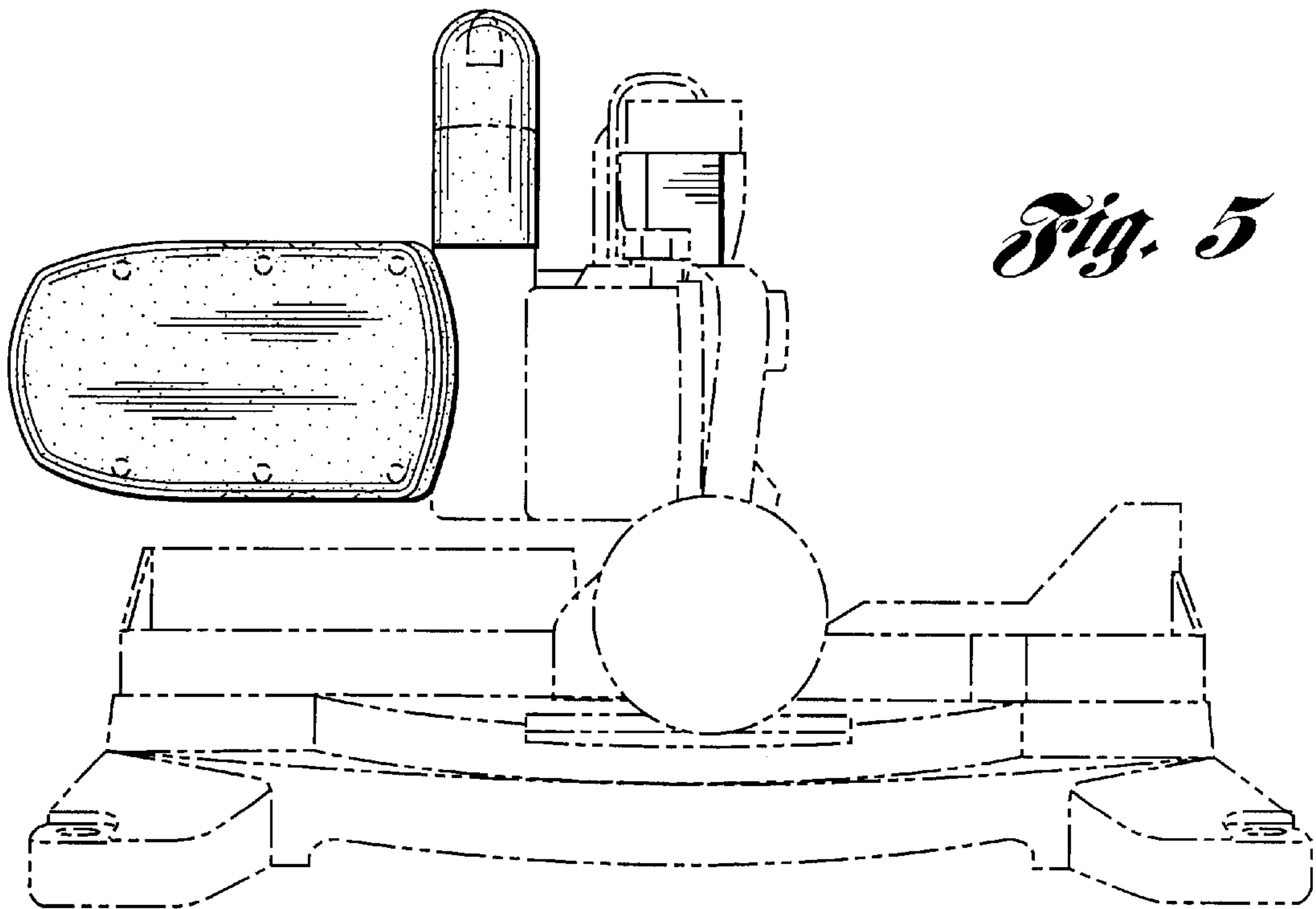


Fig. 5



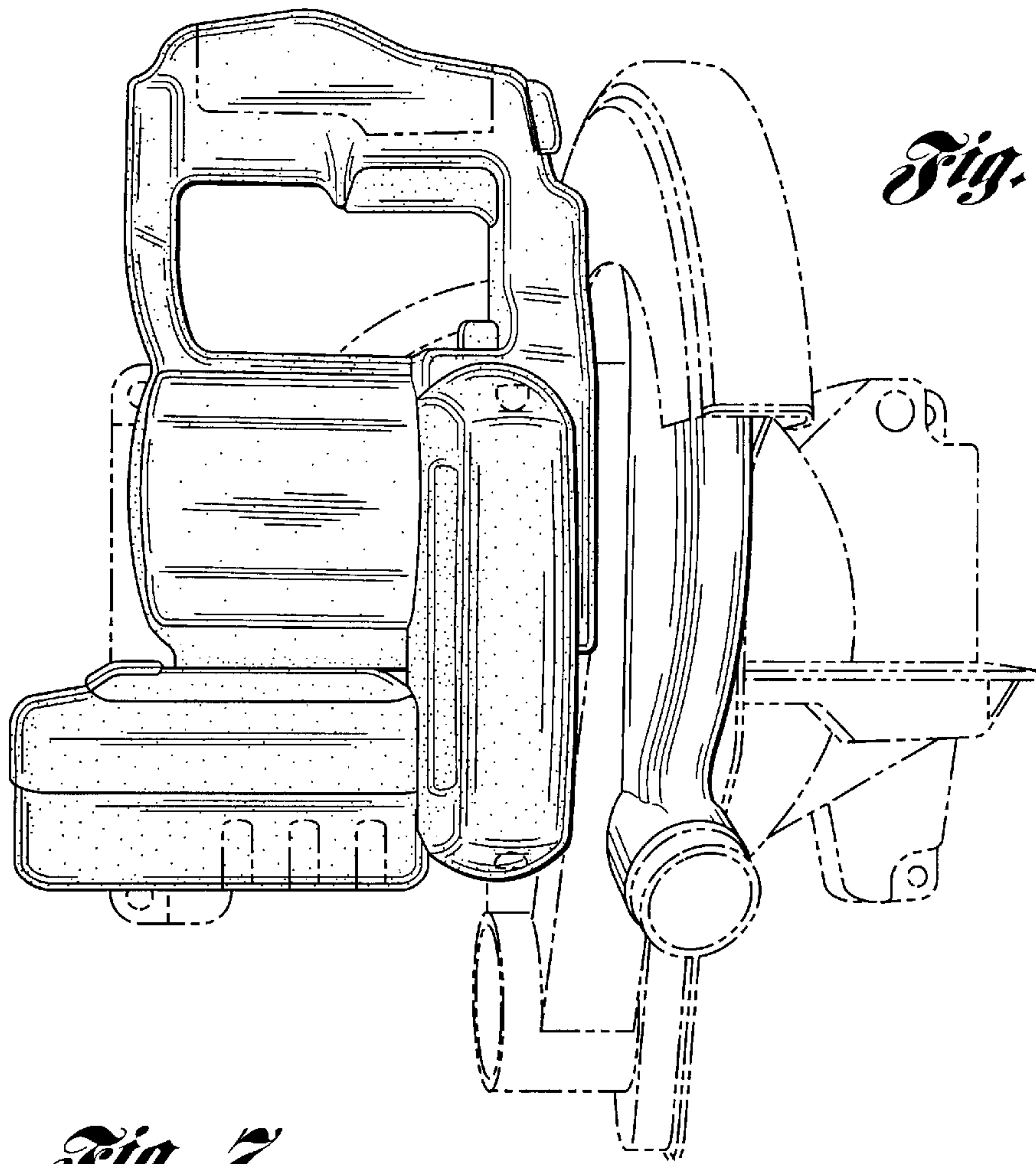


Fig. 6

Fig. 7

