



US00D467255S

(12) **United States Design Patent**  
**Shimizu et al.**

(10) **Patent No.:** **US D467,255 S**

(45) **Date of Patent:** **\*\* Dec. 17, 2002**

(54) **THREAD CARTRIDGE FOR EMBROIDERY MACHINE**

(75) Inventors: **Yasuhiro Shimizu**, Gifu-ken (JP);  
**Nobuyuki Iwai**, Aichi-ken (JP);  
**Toshiyuki Mamiya**, Nisshin (JP);  
**Akira Terao**, Nagoya (JP)

(73) Assignee: **Brother Industries, Ltd.**, Nagoya (JP)

(\*\*) Term: **14 Years**

(21) Appl. No.: **29/143,852**

(22) Filed: **Jun. 22, 2001**

(30) **Foreign Application Priority Data**

Dec. 28, 2000 (JP) ..... 2000-037756  
Dec. 28, 2000 (JP) ..... 2000-037757

(51) **LOC (7) Cl.** ..... **15-03**

(52) **U.S. Cl.** ..... **D15/78**

(58) **Field of Search** ..... D15/66-78; D8/395,  
D8/396, 388, 391, 366, 373; 112/102, 121.11,  
258-262.1, 102.5

(56) **References Cited**

**U.S. PATENT DOCUMENTS**

4,280,420 A \* 7/1981 Nishida et al. .... 112/102

D297,112 S \* 8/1988 Holdaway ..... D8/395  
D322,389 S \* 12/1991 Harmon ..... D8/380  
5,371,991 A \* 12/1994 Bechtel et al. .... 52/686  
D369,171 S \* 4/1996 Jonson ..... D15/72  
D384,945 S \* 10/1997 Takada et al. .... D15/66

\* cited by examiner

*Primary Examiner*—Mitchell Siegel

(74) *Attorney, Agent, or Firm*—Oliff & Berridge, PLC

(57) **CLAIM**

The ornamental design for a thread cartridge for embroidery machine, as shown and described.

**DESCRIPTION**

FIG. 1 is a perspective view of a thread cartridge for embroidery machine;

FIG. 2 is an expanded perspective view thereof;

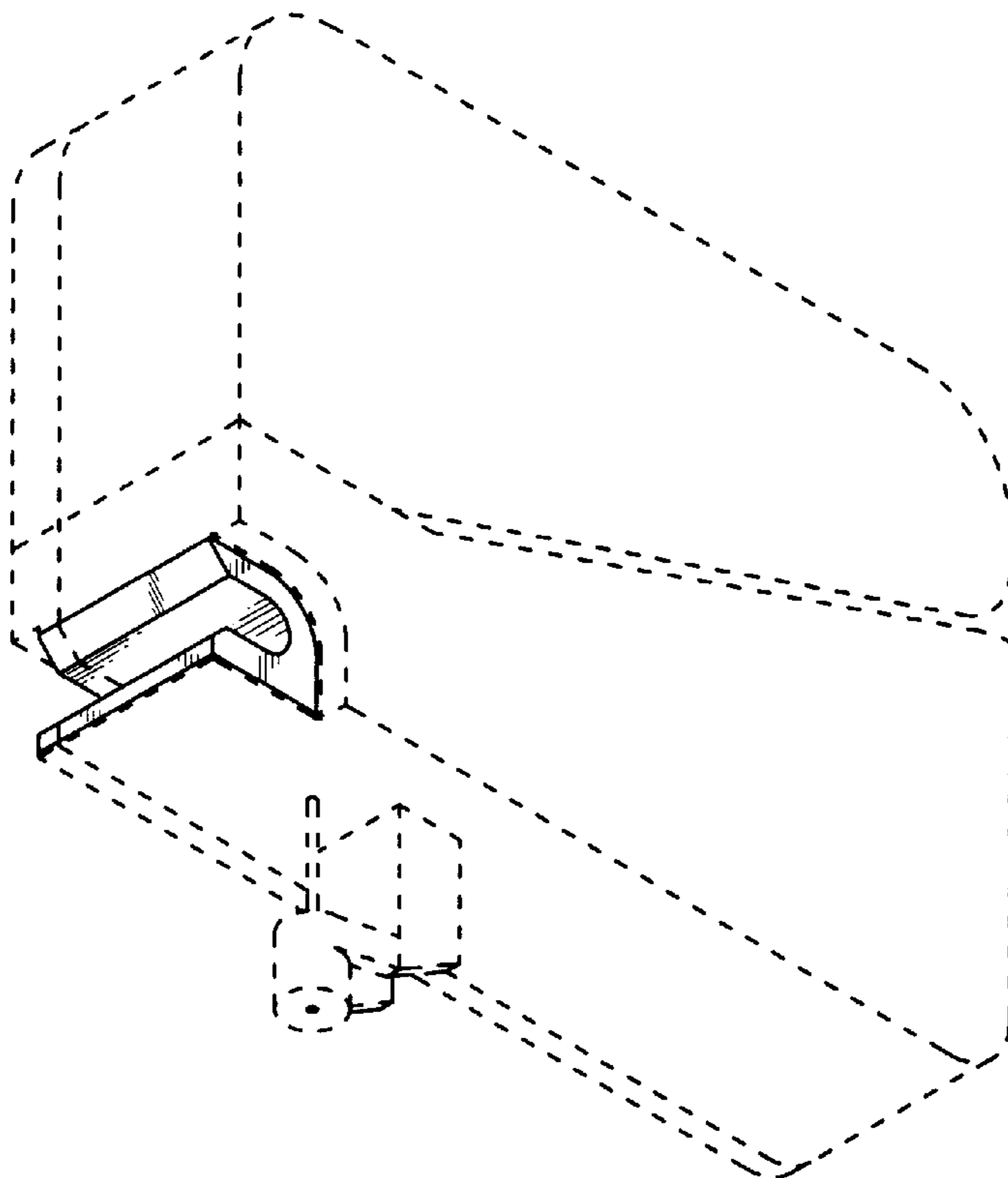
FIG. 3 is a front view of thereof;

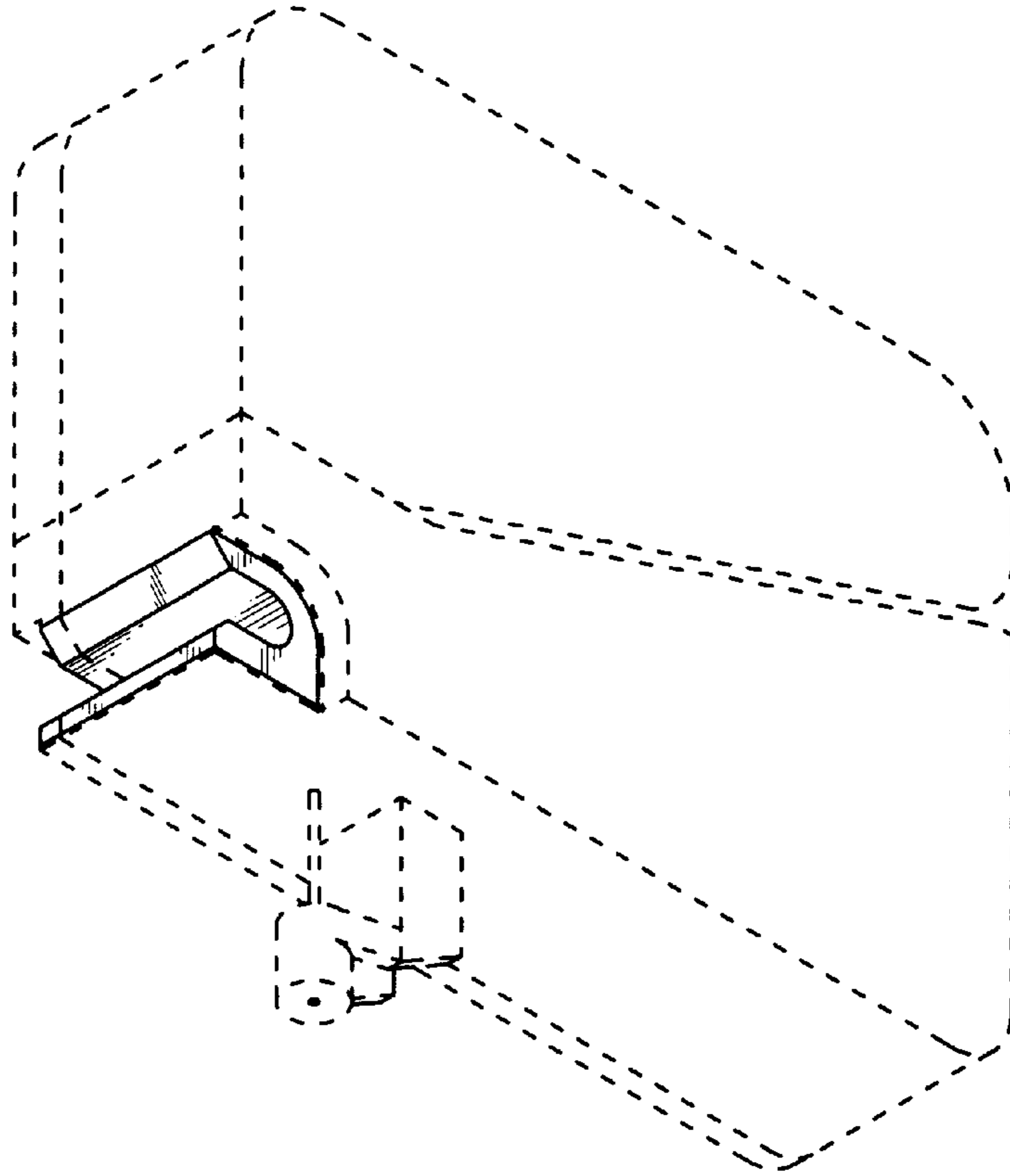
FIG. 4 is a rear view thereof; and,

FIG. 5 is a left side view thereof.

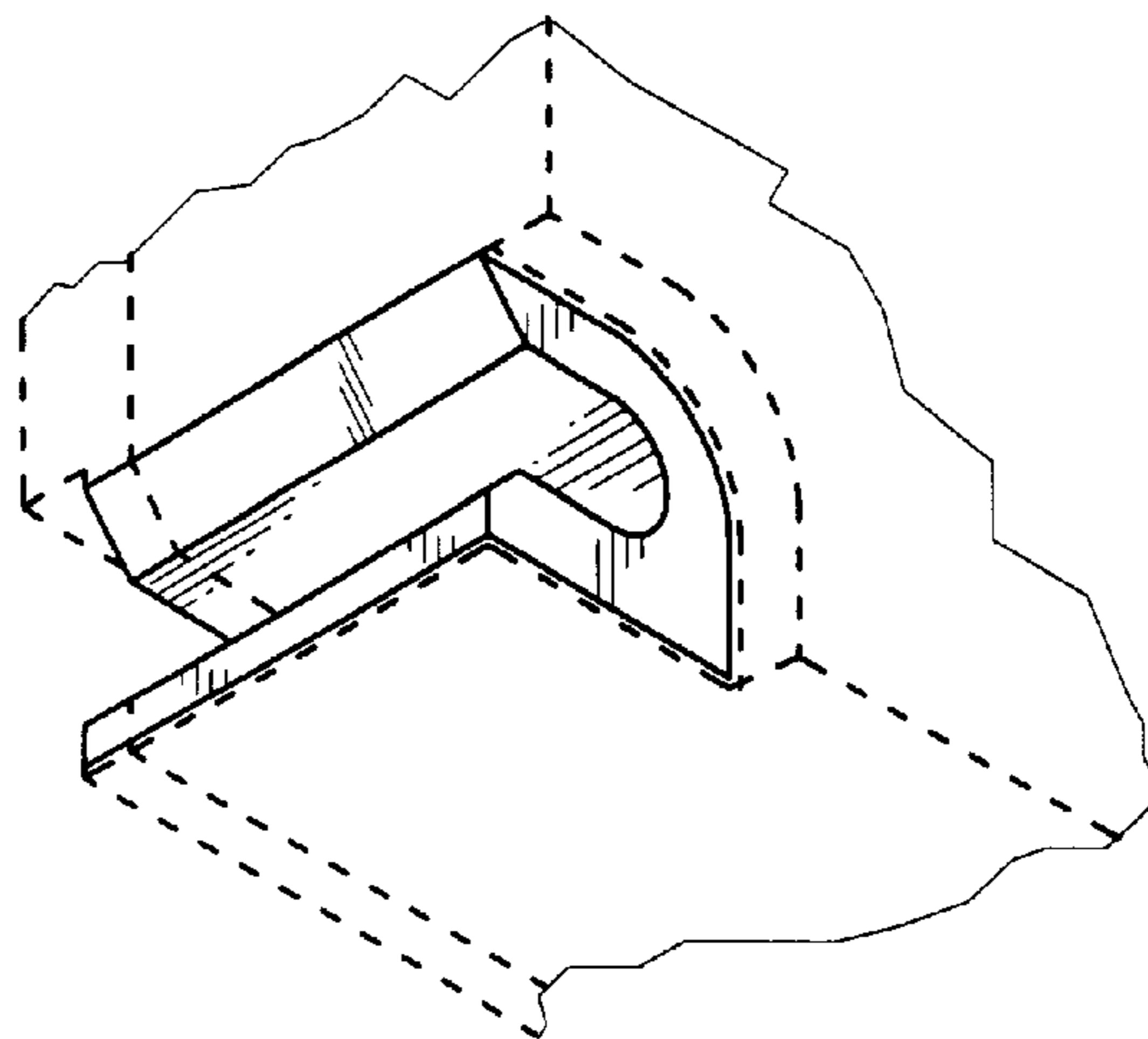
The top, bottom and right side views of the thread cartridge for embroidery machine contain no ornamentality and are omitted. The bottom lines define the bounds of the claimed design but form no part of the claimed design.

**1 Claim, 3 Drawing Sheets**

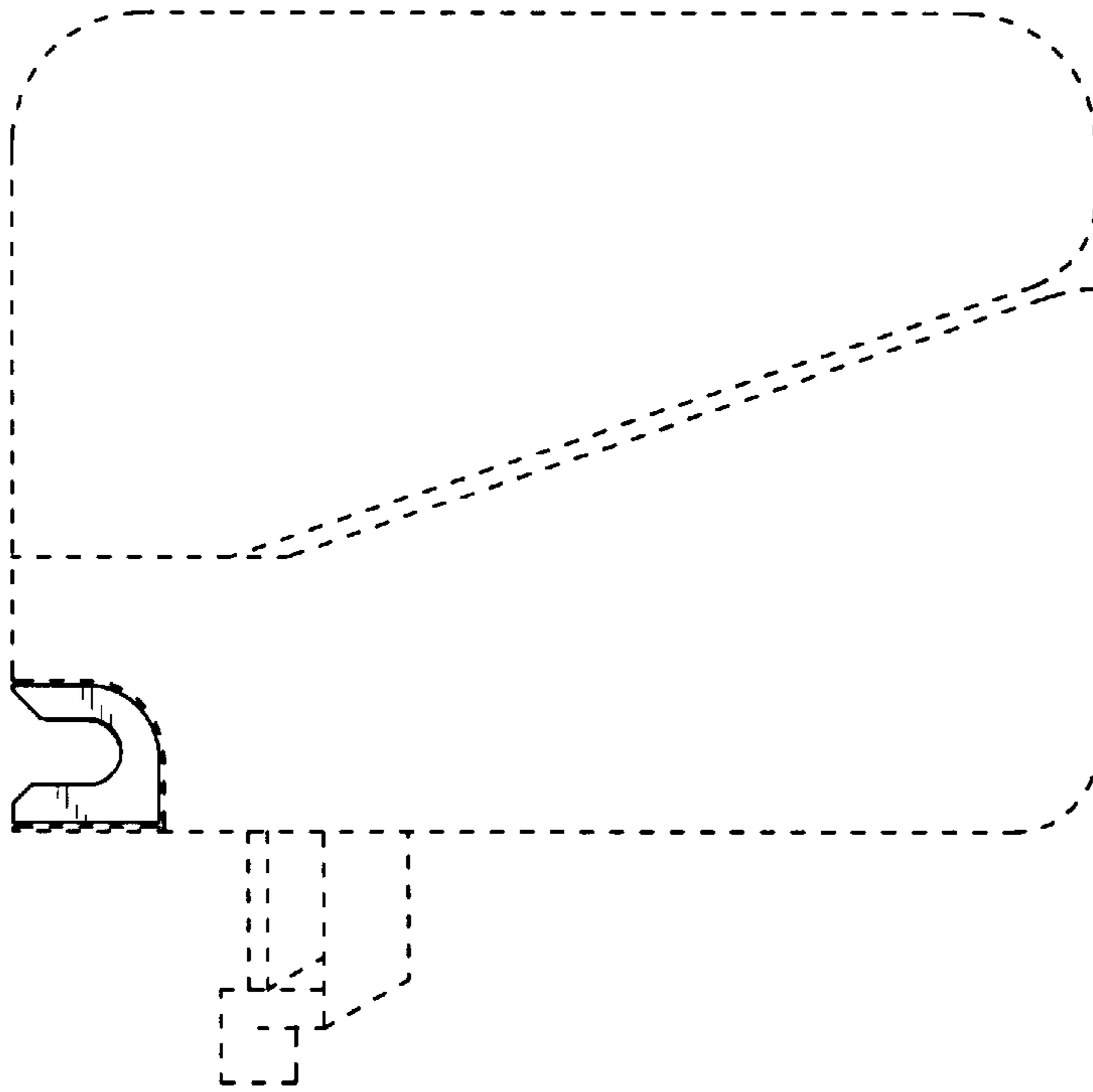




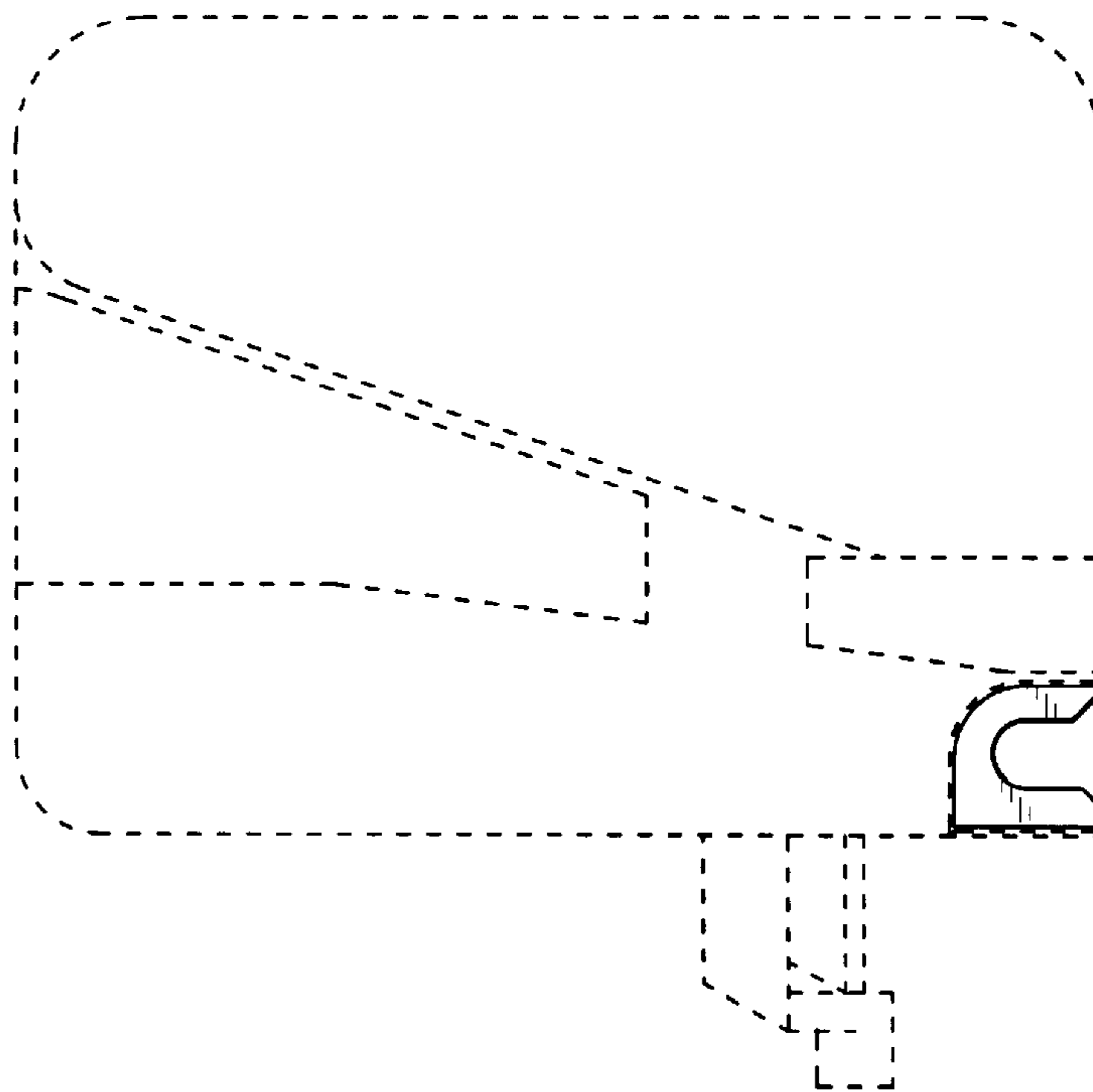
**FIG. 1**



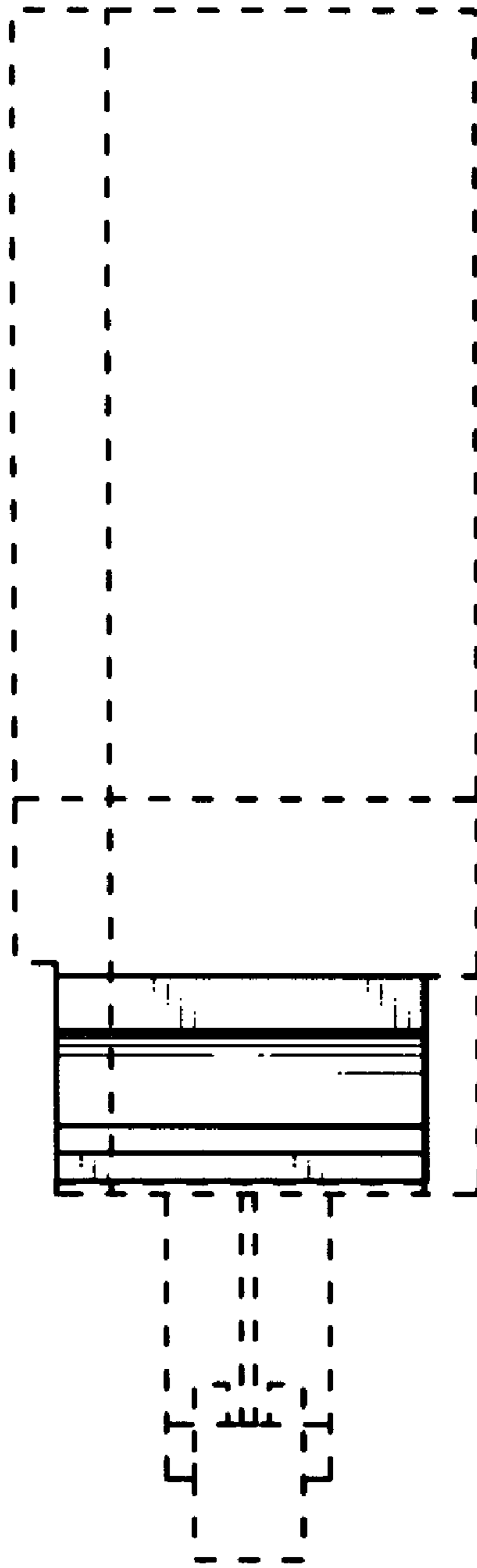
**FIG. 2**



**FIG. 3**



**FIG. 4**



**FIG. 5**