



US00D467254S

(12) **United States Design Patent**  
**Ullrich**

(10) **Patent No.:** **US D467,254 S**

(45) **Date of Patent:** **\*\* Dec. 17, 2002**

(54) **COMPRESSOR**

(75) Inventor: **Wolfgang Ullrich**, Halle (DE)

(73) Assignee: **Bitzer Kuehlmaschinenbau GmbH**,  
Sindelfingen (DE)

(\*\*) Term: **14 Years**

(21) Appl. No.: **29/156,466**

(22) Filed: **Feb. 28, 2002**

(30) **Foreign Application Priority Data**

Aug. 31, 2001 (XH) ..... DM/057 536

(51) **LOC (7) Cl.** ..... **15-03**

(52) **U.S. Cl.** ..... **D15/9**

(58) **Field of Search** ..... D15/7-9; 417/234,  
417/360, 362, 410.3, 410.4, 410.5, 411,  
415

(56) **References Cited**

**U.S. PATENT DOCUMENTS**

D370,225 S \* 5/1996 Wada et al. .... D15/9

D382,883 S \* 8/1997 Breitzman et al. .... D15/9  
D392,649 S \* 3/1998 Plummer et al. .... D15/7  
D394,068 S 5/1998 Pollrich et al.  
D419,567 S \* 1/2000 Weiss ..... D15/7  
D444,799 S \* 7/2001 Thomas, Jr. et al. .... D15/9

\* cited by examiner

*Primary Examiner*—Ralf Seifert

(74) *Attorney, Agent, or Firm*—Barry R. Lipsitz

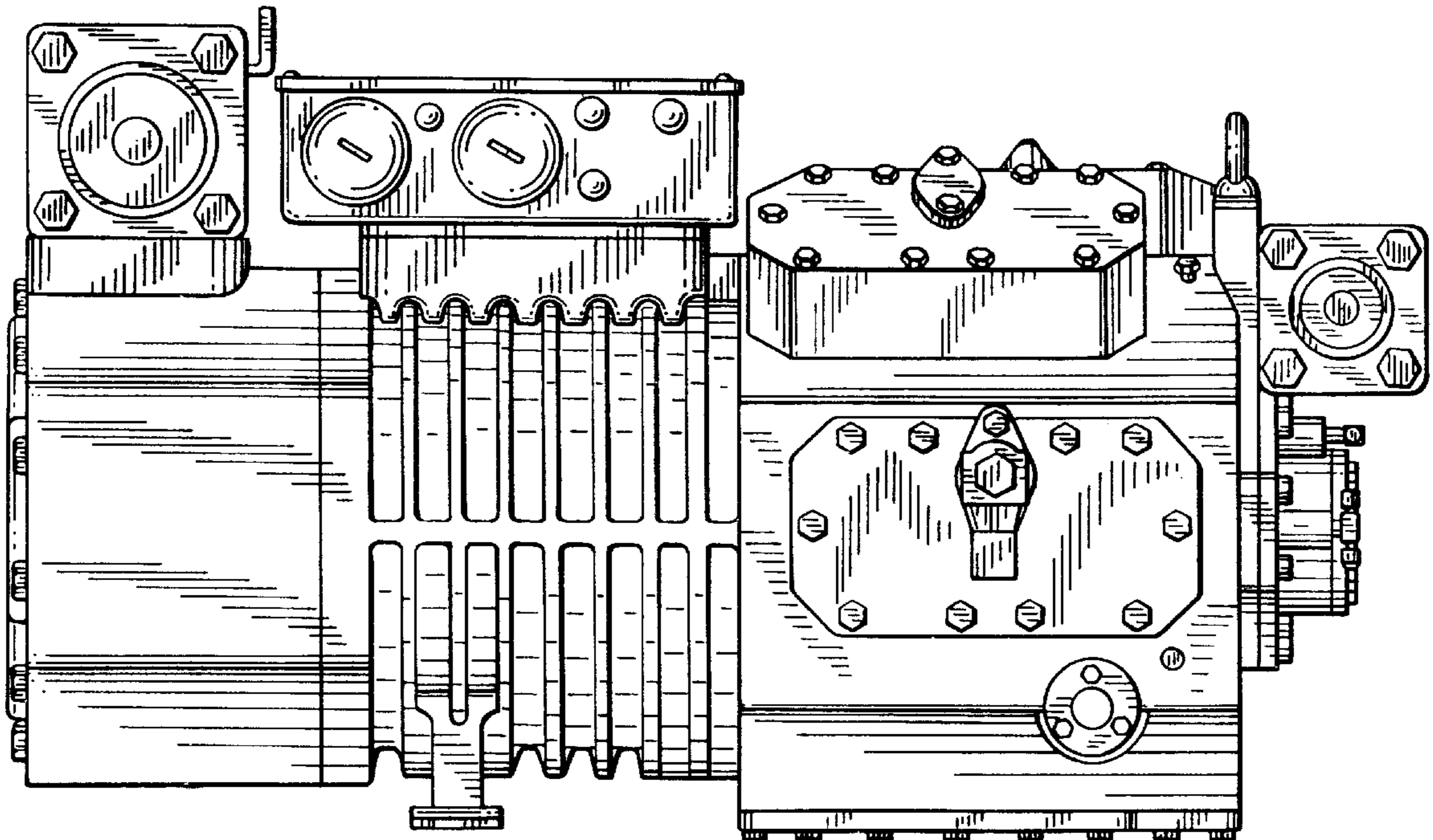
(57) **CLAIM**

The ornamental design for a compressor, as shown and described.

**DESCRIPTION**

FIG. 1 is a left side elevational view showing the design;  
FIG. 2 is a right side elevational view showing the design;  
FIG. 3 is a top plan view showing the design;  
FIG. 4 is a bottom plan view showing the design;  
FIG. 5 is a front elevational view showing the design; and,  
FIG. 6 is a rear elevational view showing the design.

**1 Claim, 6 Drawing Sheets**



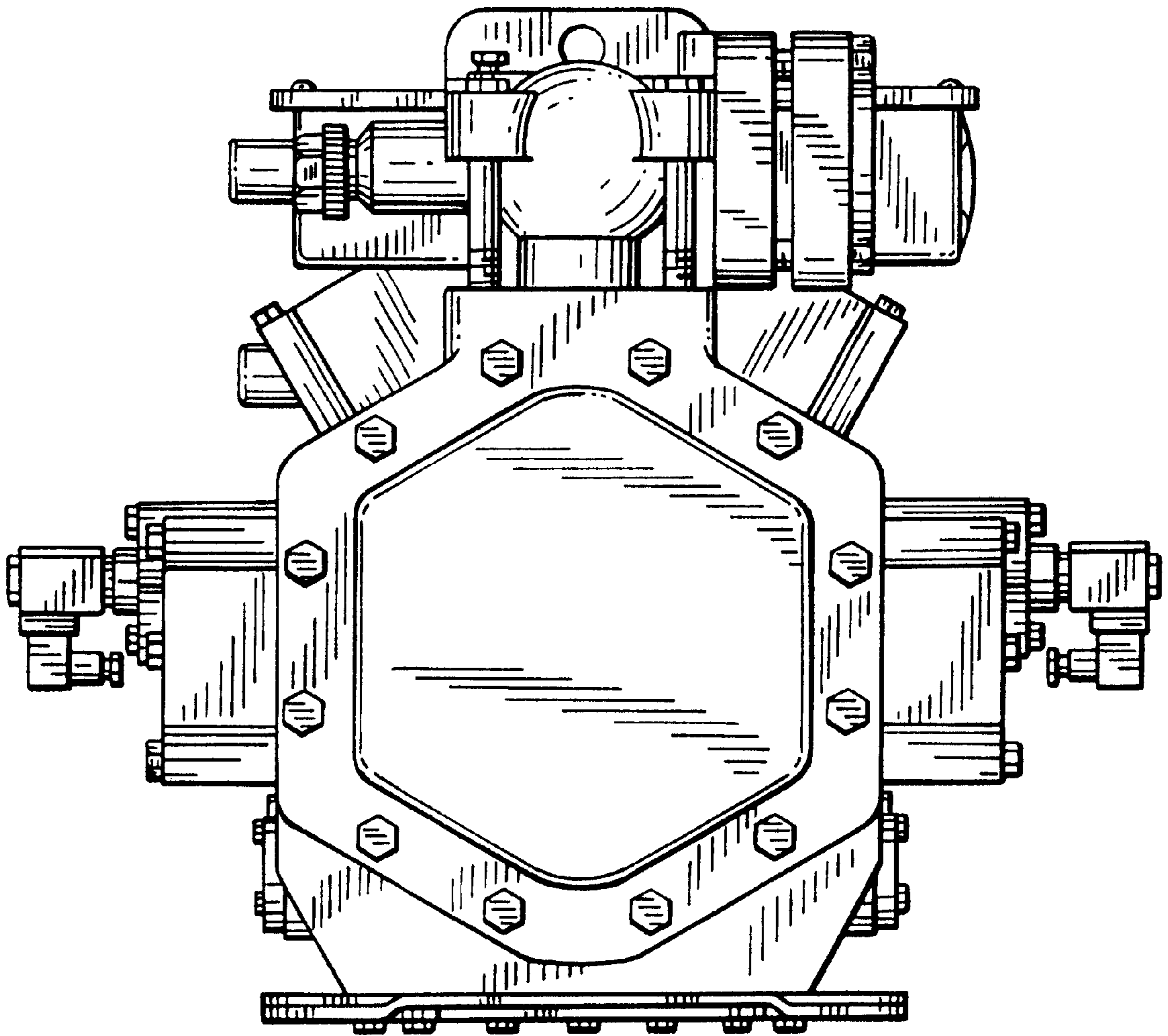


FIG. 1

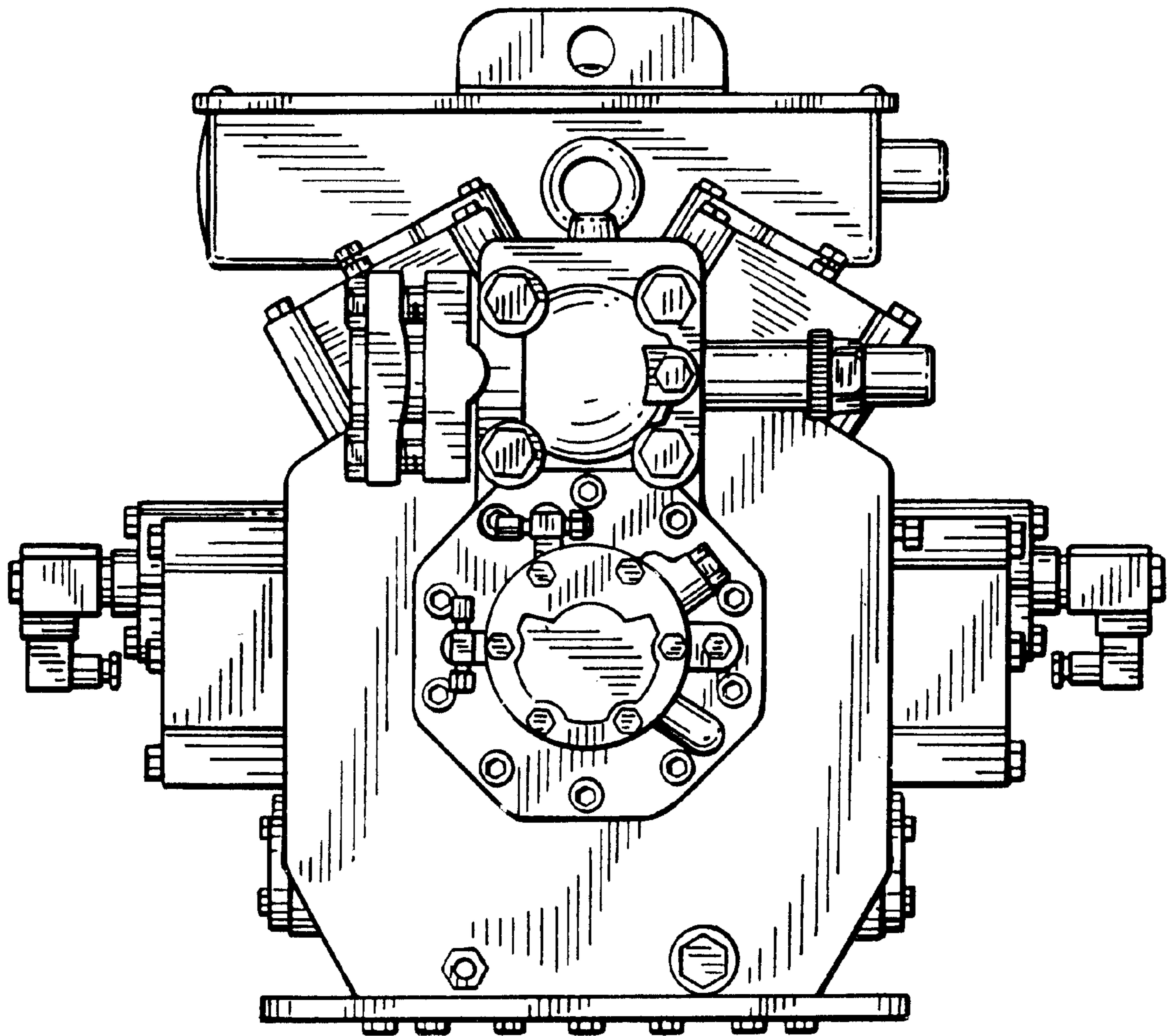


FIG. 2

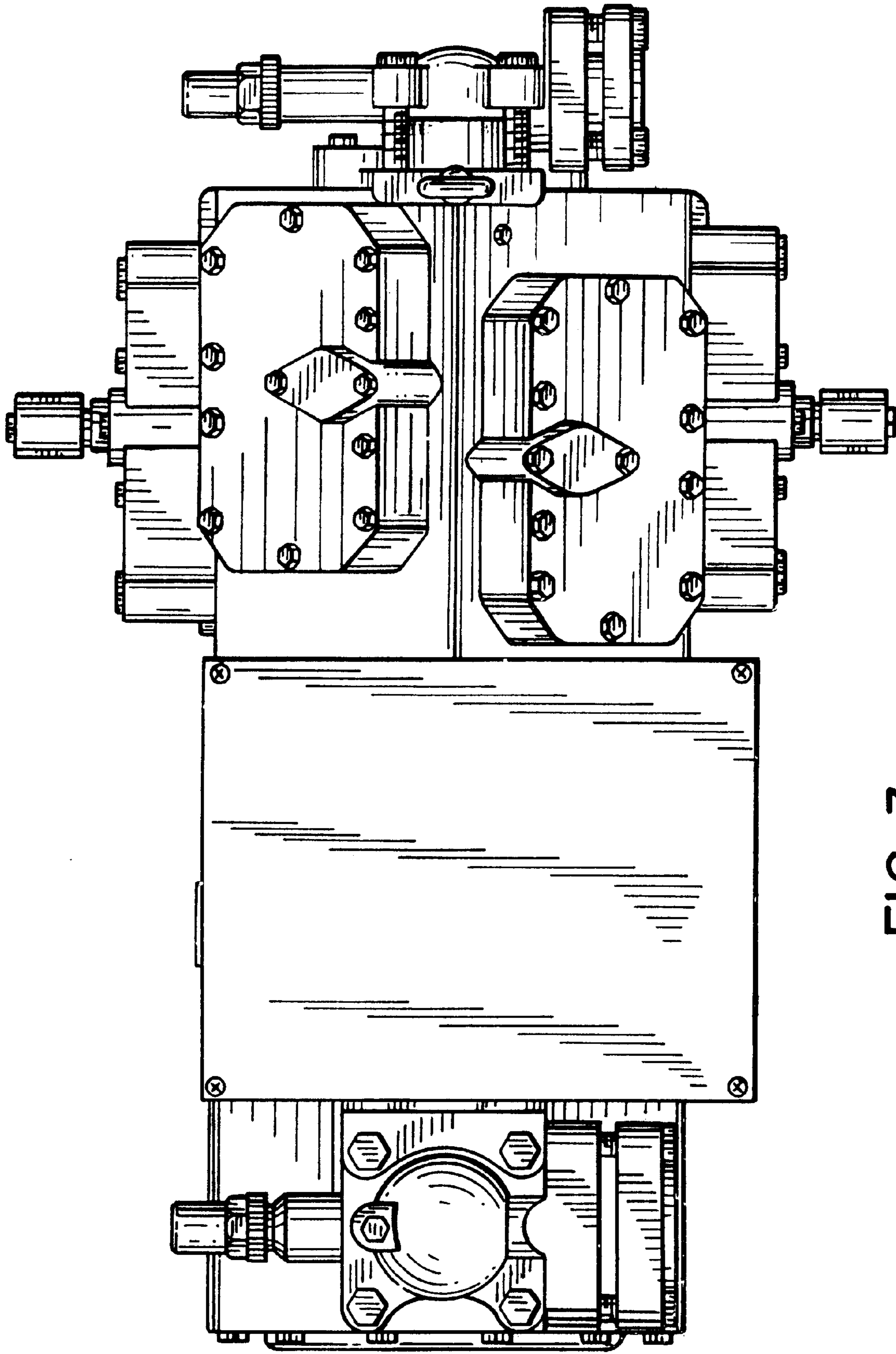


FIG. 3

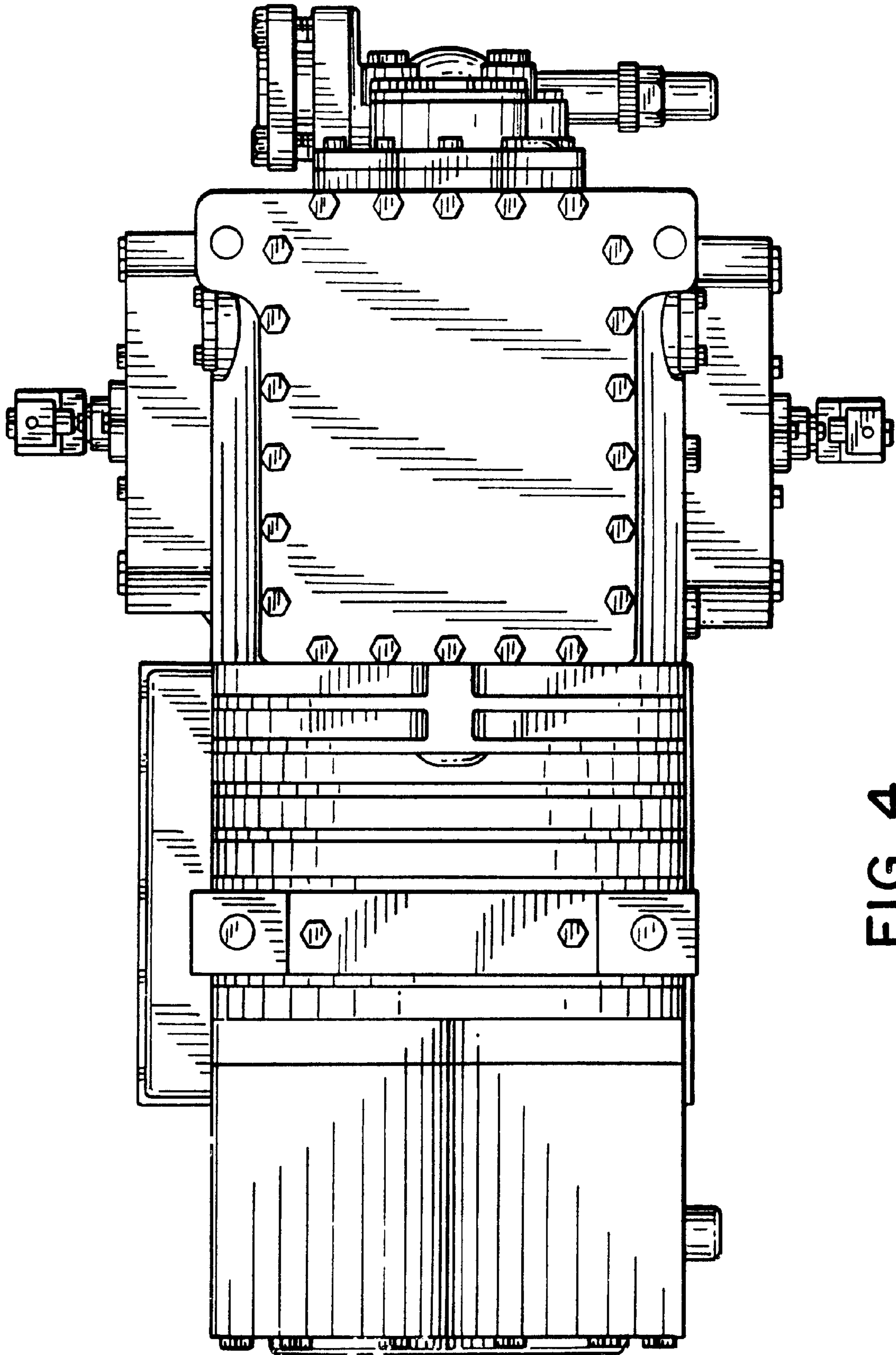


FIG. 4

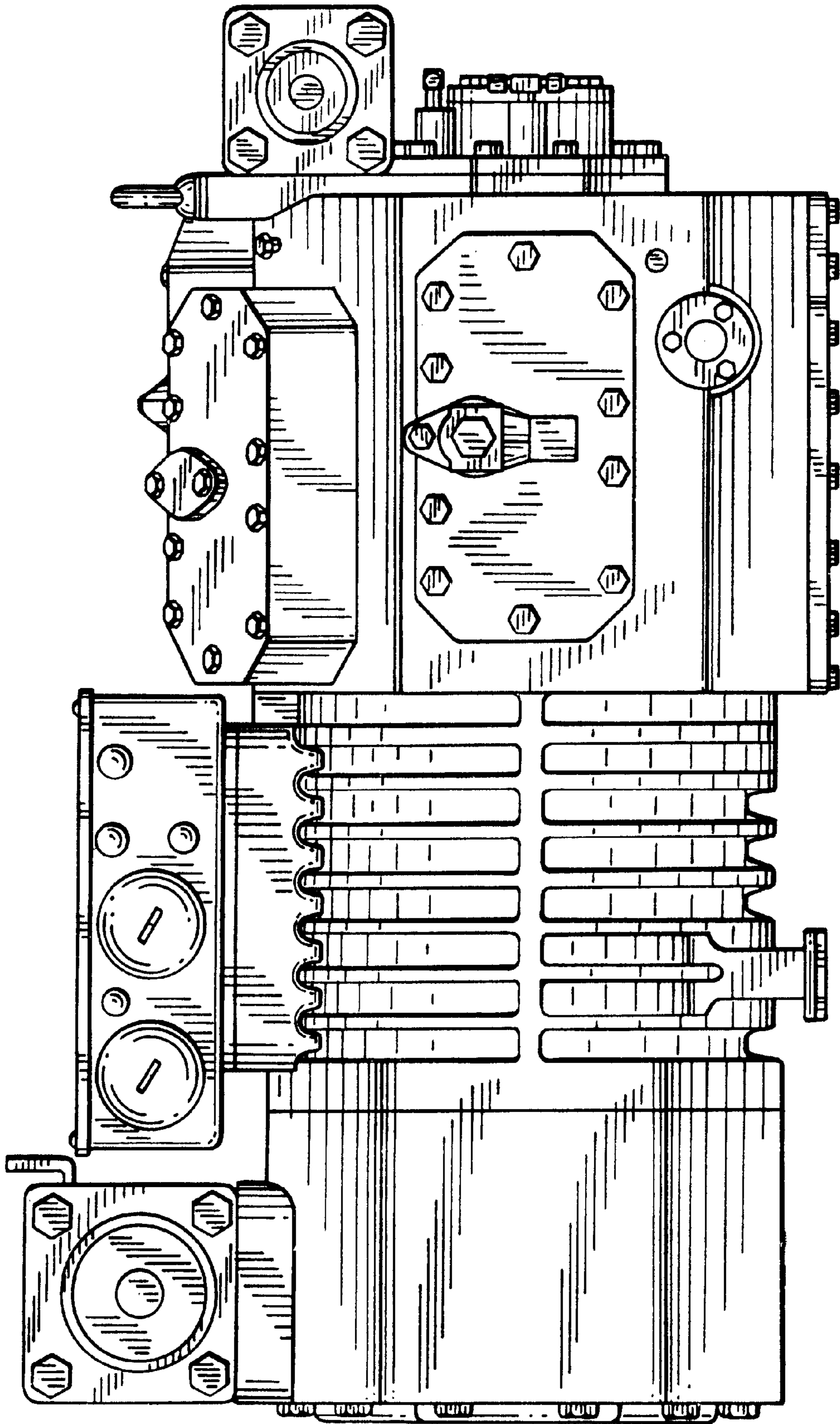


FIG. 5

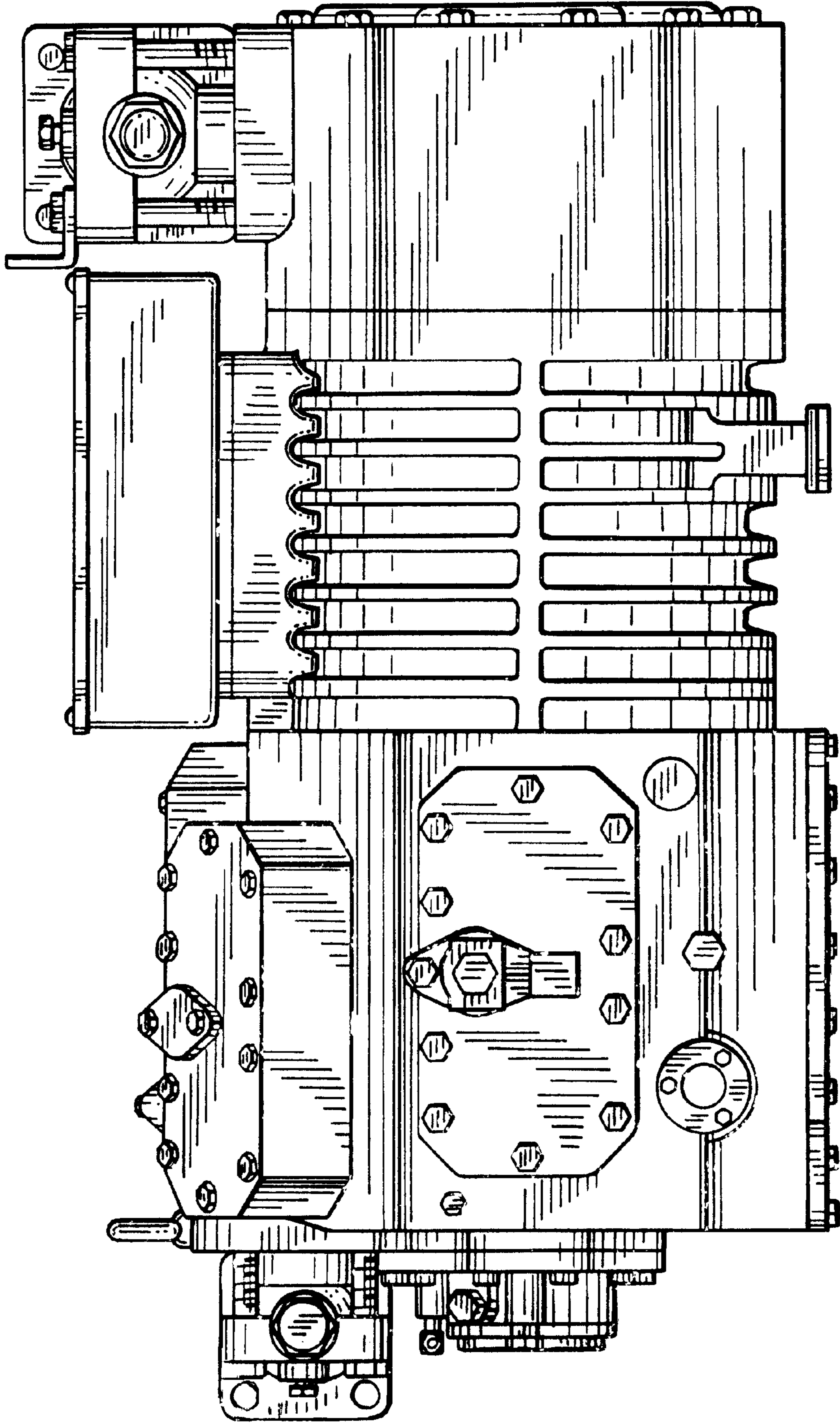


FIG. 6