



US00D467249S

(12) **United States Design Patent**
Burmeister

(10) **Patent No.:** **US D467,249 S**

(45) **Date of Patent:** **** Dec. 17, 2002**

(54) **FRONT PANEL COMPRISING A CARD-SLOT**

(75) Inventor: **Kay Burmeister**, Altenberge (DE)

(73) Assignee: **National Rejectors, Inc, GmbH**

(**) Term: **14 Years**

(21) Appl. No.: **29/127,335**

(22) Filed: **Aug. 3, 2000**

(51) **LOC (7) Cl.** **14-02**

(52) **U.S. Cl.** **D14/444**

(58) **Field of Search** D14/441-446,
D14/383-385; D13/162, 184, 199, 164,
177; 312/223.2; 361/600, 622, 724-728;
D20/1, 8, 28, 43; 194/350, 351, 353; 235/33;
705/18, 35

(56) **References Cited**

U.S. PATENT DOCUMENTS

D324,212 S	*	2/1992	Garmon et al.	D14/442
D347,834 S	*	6/1994	Garmon et al.	D14/446
D362,248 S	*	9/1995	Marotti et al.	D14/442
5,508,501 A		4/1996	Fujimoto et al.	235/441
D409,988 S	*	5/1999	Otis et al.	D14/441
D431,824 S	*	10/2000	Nagele et al.	D14/443

FOREIGN PATENT DOCUMENTS

DE	35 18427	11/1986
DE	296 04 598	5/1996
WO	96/36051	11/1996
WO	98/02839	1/1998

OTHER PUBLICATIONS

Prospectus Smart CAD (date unknown).
Abstract, Japanese Appln 07099520 filed Mar. 31, 1995 for
Magnetic Card Reader.

Prospectus—Electronisch Bezahlen Am Automaten . . .
HW-4265 Hoft & Wessel.

Prospectus for VCT 800 Automatenterminal, Giesecke &
Devrient, (Giesecke & Devrient GmbH), date unknown.

Prospectus for Wertkarteneinheit WE2-kompakt, CashCard
Automaten GmbH 1998. (2 pages).

Prospectus for CTS4-Leser Lector, Control Systems
GmbH & Co. KG).

Prospectus CTS4-Leser (Microtronic AG), date unknown.

* cited by examiner

Primary Examiner—Freda Nunn

(74) *Attorney, Agent, or Firm*—Vidas, Arrett & Steinkraus,
P.A.

(57) **CLAIM**

The ornamental design for the front panel comprising a
card-slot, as shown and described.

DESCRIPTION

FIG. 1 is a front view of a front panel comprising a card-slot
showing my new design;

FIG. 2 is a top view thereof;

FIG. 3 is a left side view thereof;

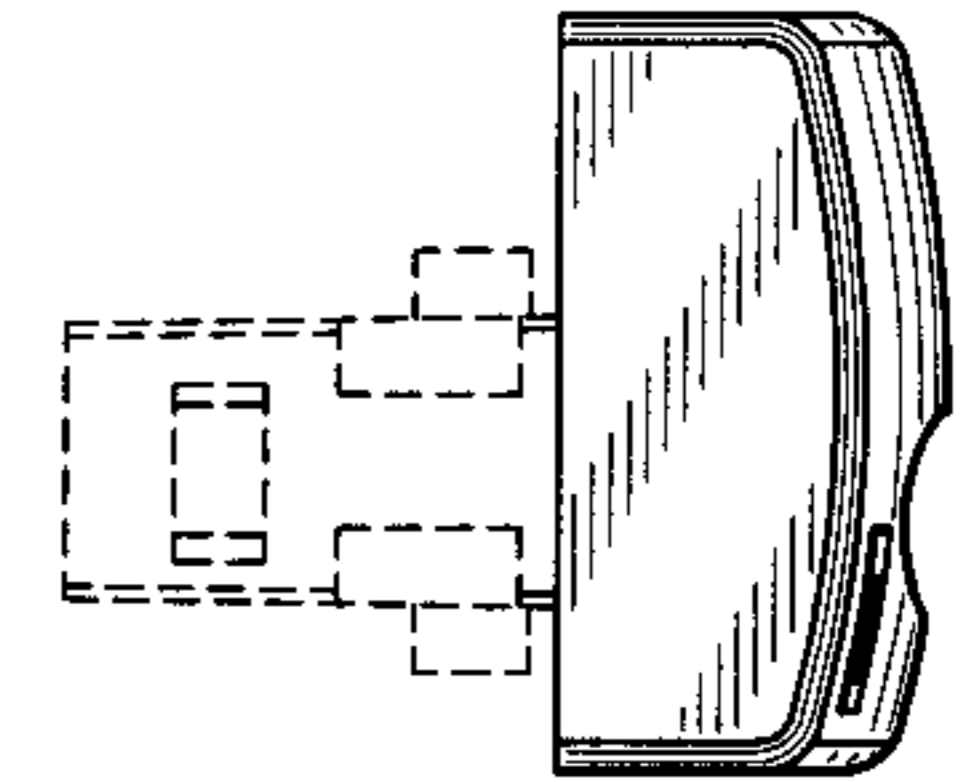
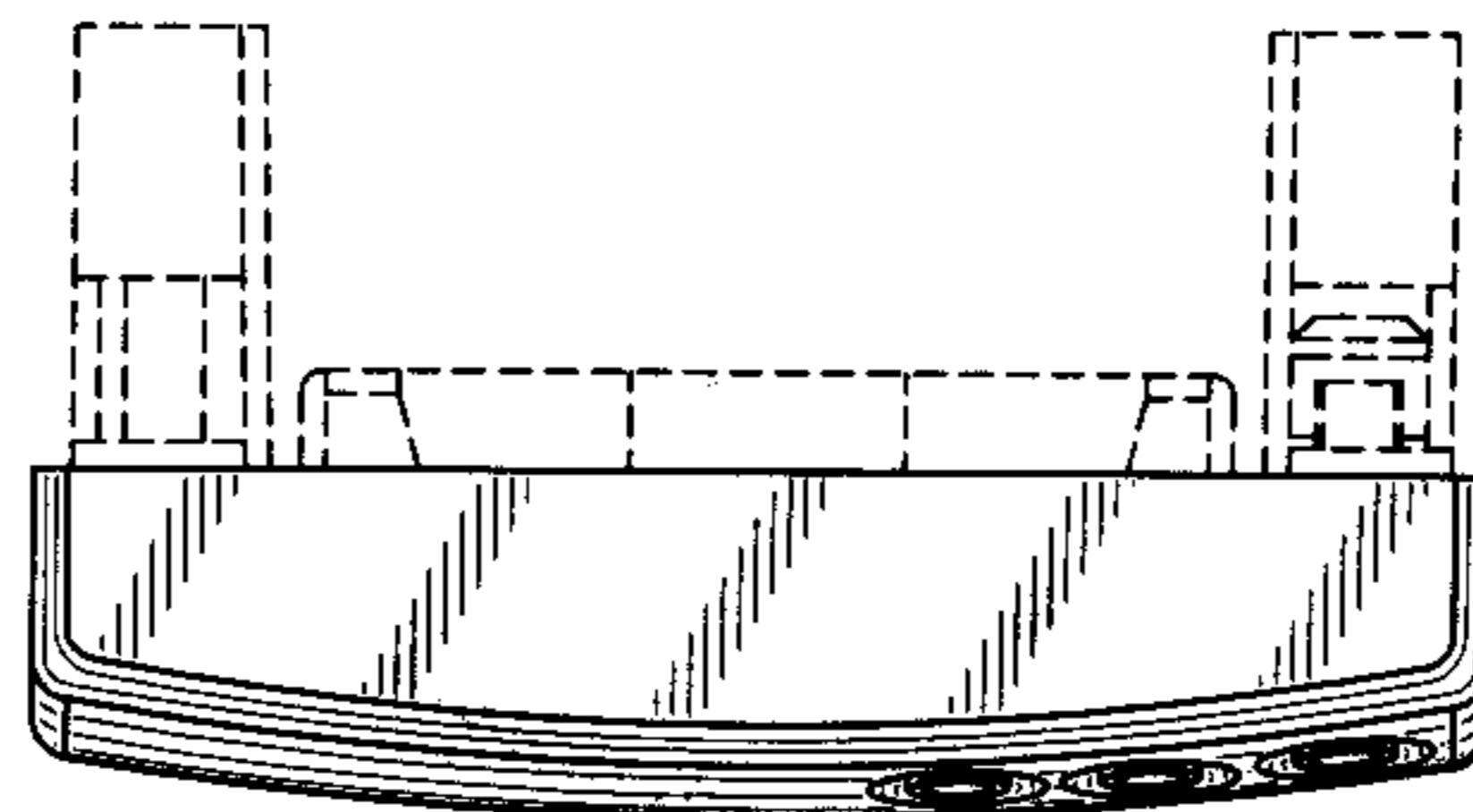
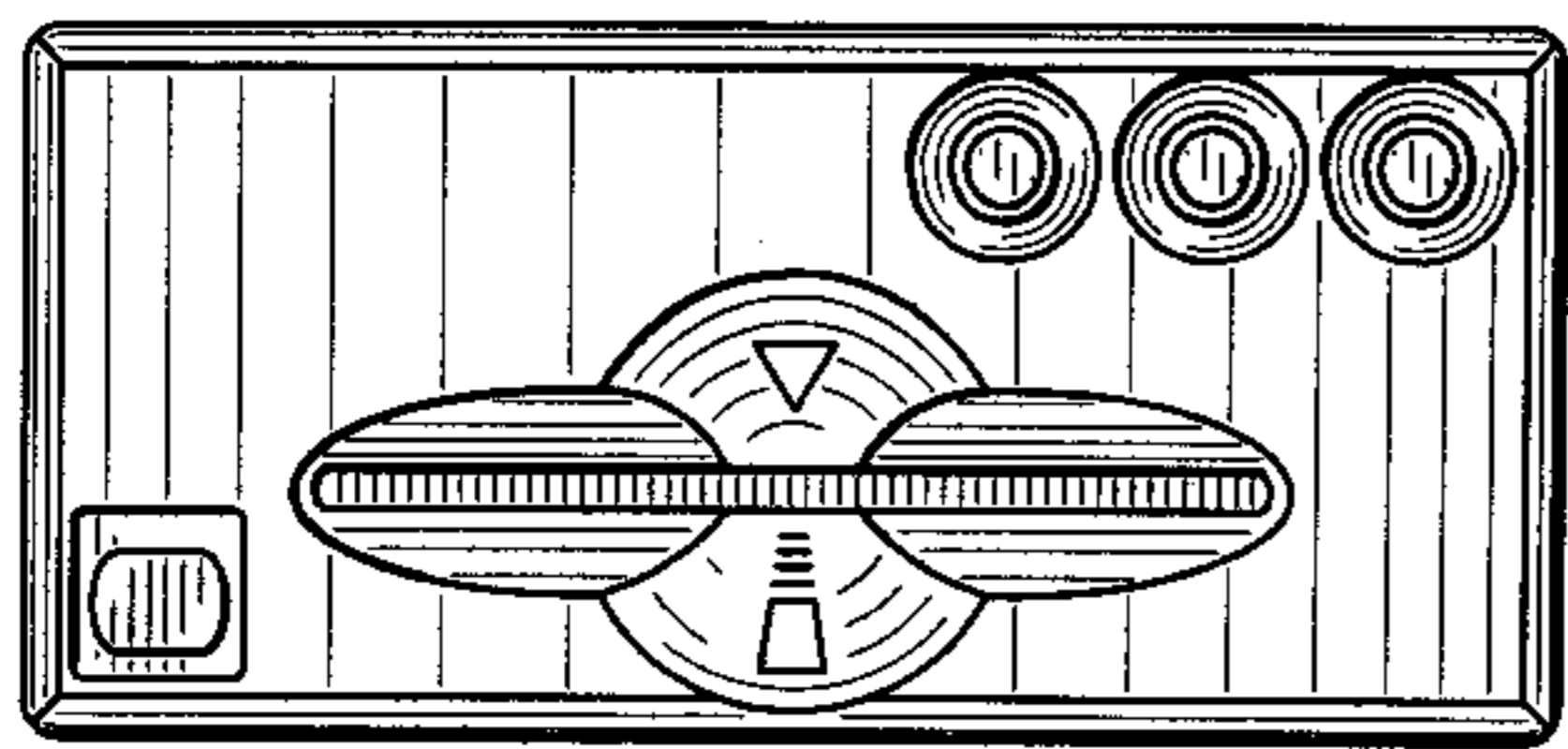
FIG. 4 is a right side view thereof;

FIG. 5 is a bottom view thereof; and,

FIG. 6 is a rear view thereof.

The broken lines are shown in FIGS. 2-6 for illustrative
purposes only and form no part of the claimed design.

1 Claim, 3 Drawing Sheets



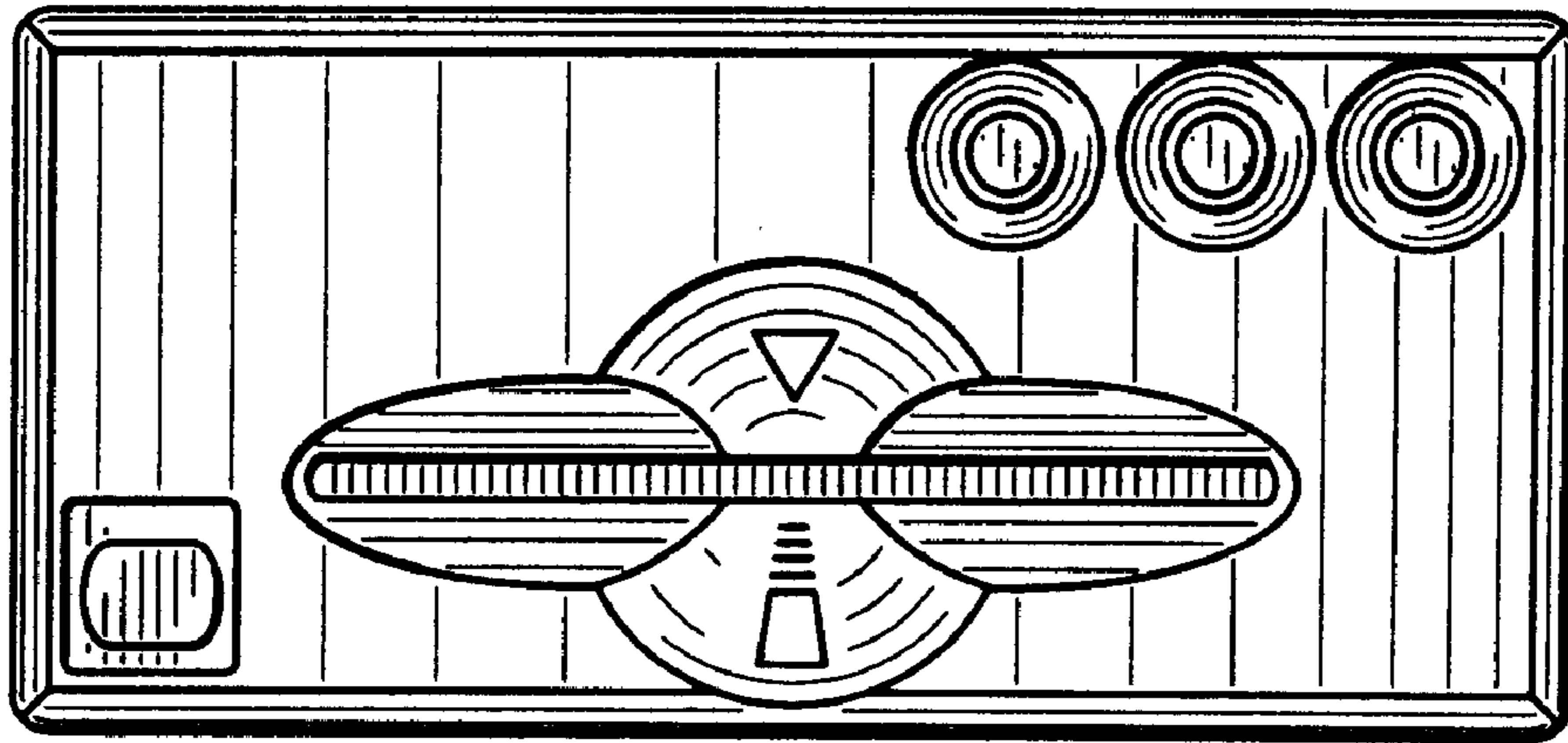


FIG. 1

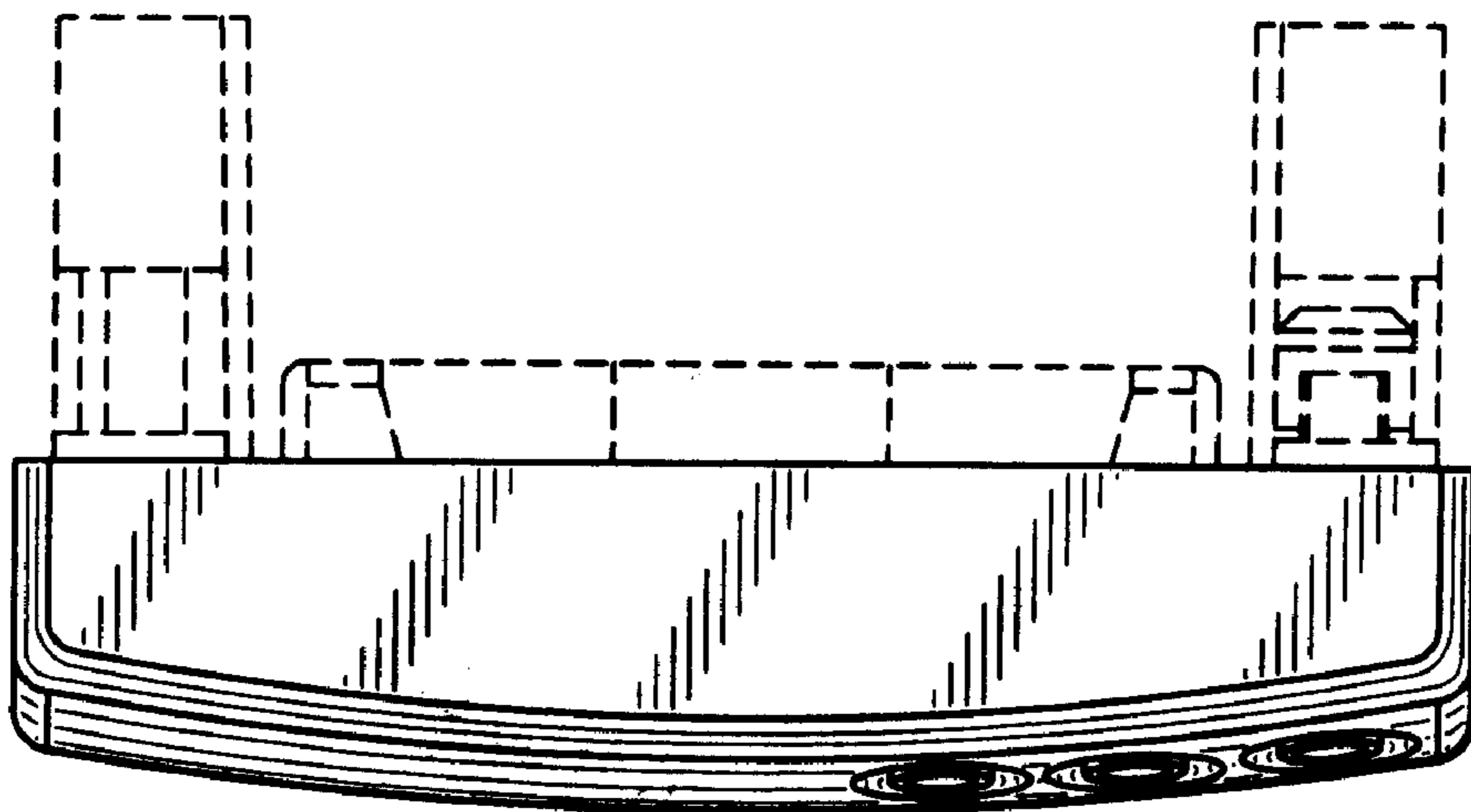


FIG. 2

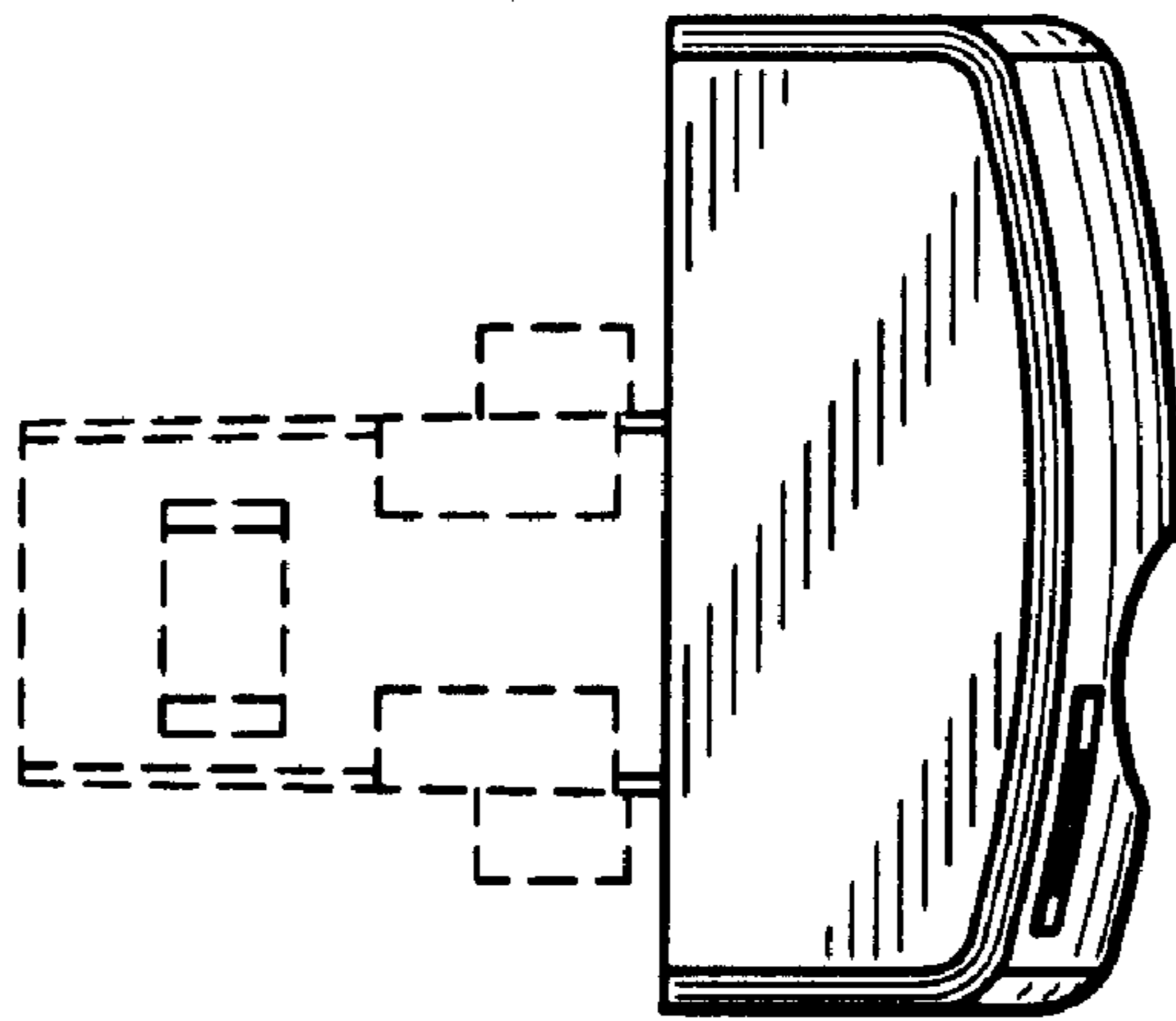


FIG. 3

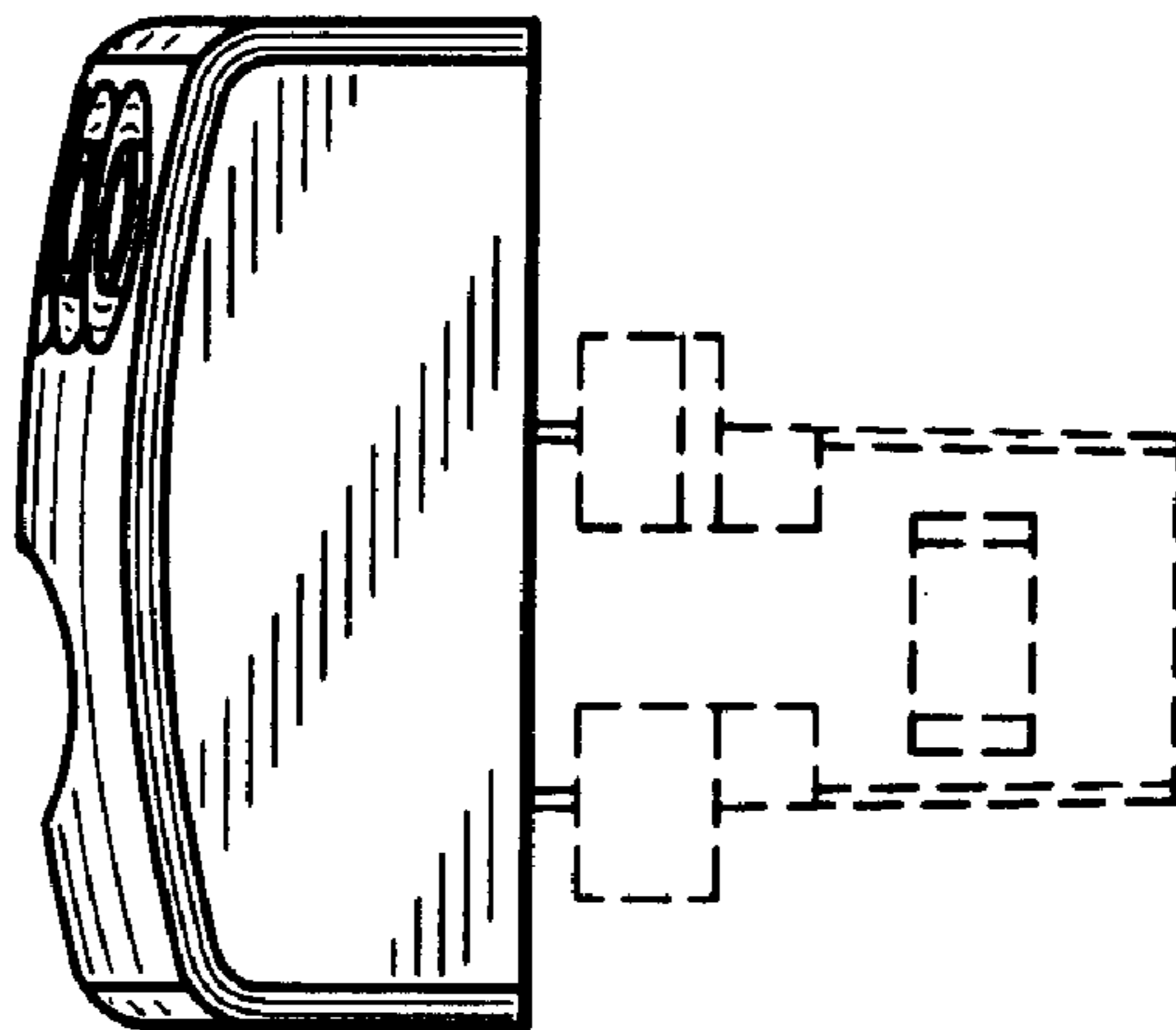


FIG. 4

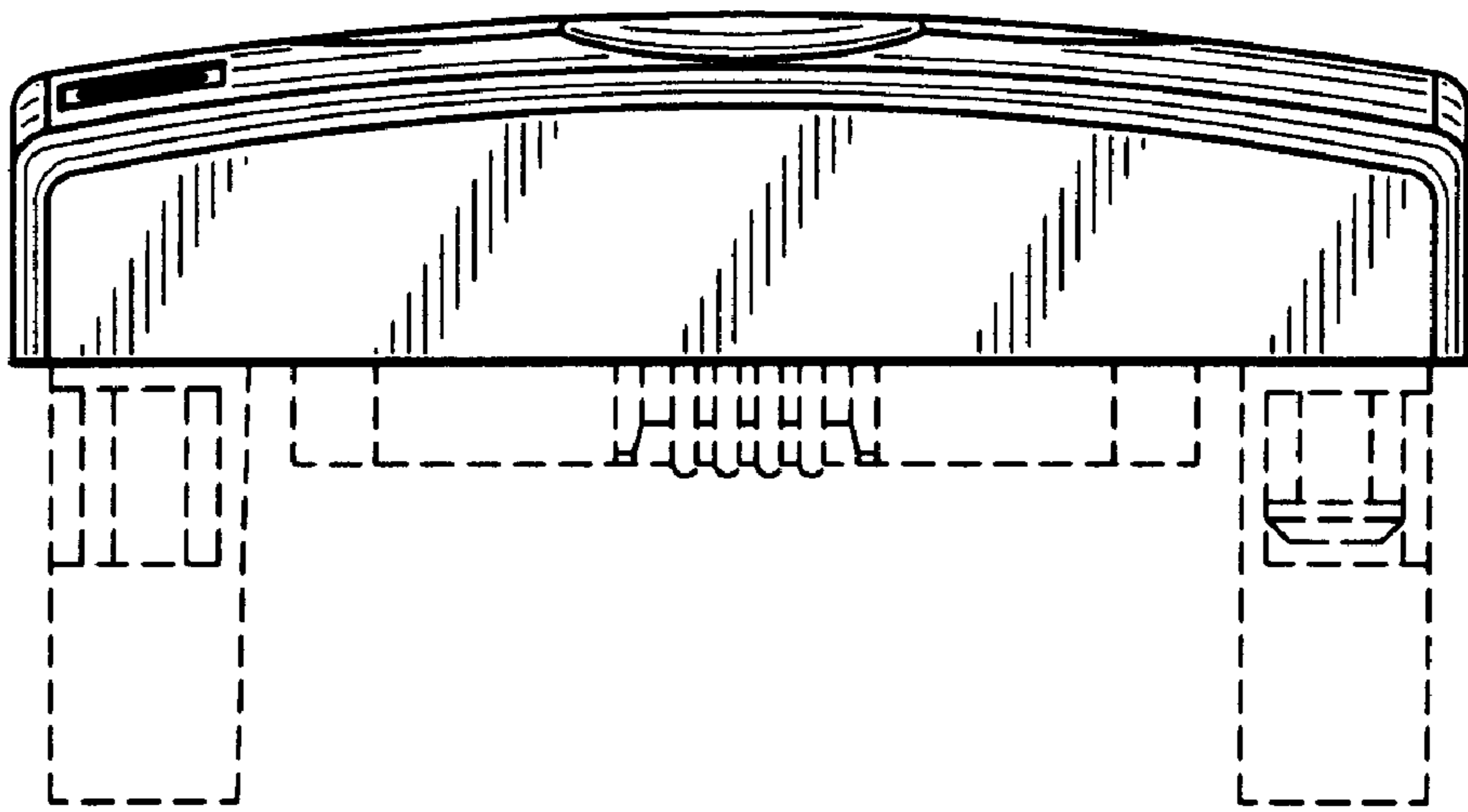


FIG. 5

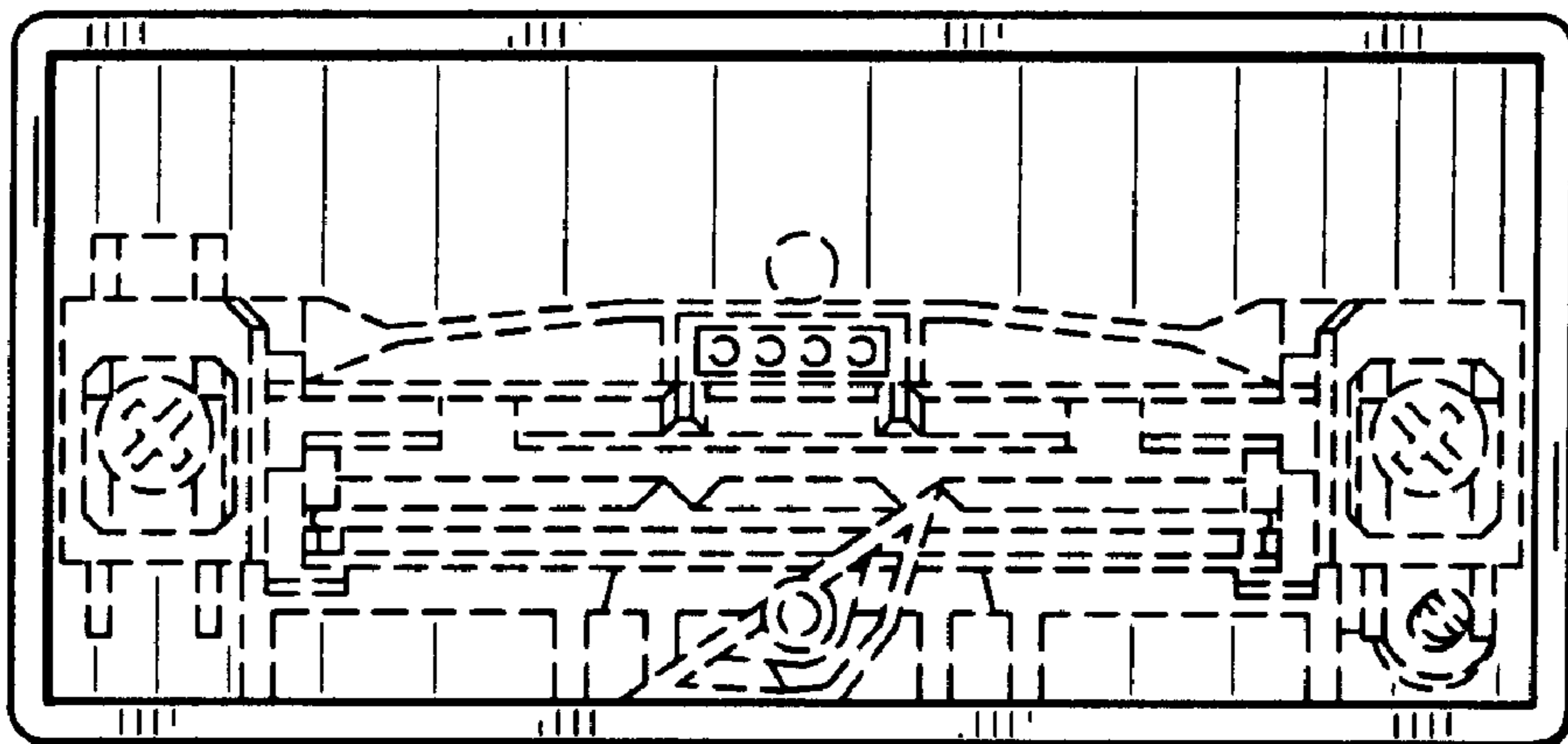


FIG. 6