



US00D467248S

(12) **United States Design Patent**
Welles

(10) **Patent No.:** **US D467,248 S**

(45) **Date of Patent:** **** Dec. 17, 2002**

(54) **COMPUTER COVER**

D401,576 S * 11/1998 Watkins D14/114

(76) Inventor: **Thomas A. Welles**, 2727 - 3rd St.
#101, Santa Monica, CA (US) 90405

* cited by examiner

Primary Examiner—Kay H. Chin

(**) Term: **14 Years**

(57) **CLAIM**

(21) Appl. No.: **29/098,090**

The ornamental design for a computer cover, as shown and described.

(22) Filed: **Dec. 21, 1998**

(51) **LOC (7) Cl.** **14-02**

(52) **U.S. Cl.** **D14/440; D6/601**

(58) **Field of Search** D14/114, 432,
D14/440, 448; D6/601, 610, 611; 206/320

DESCRIPTION

FIG. 1 is a right side perspective view of a computer cover showing my new design;

FIG. 2 is a left side perspective view thereof;

FIG. 3 is a top plan view thereof;

FIG. 4 is a bottom plan view thereof;

FIG. 5 is a side elevational view thereof; and,

FIG. 6 is a front elevational view thereof.

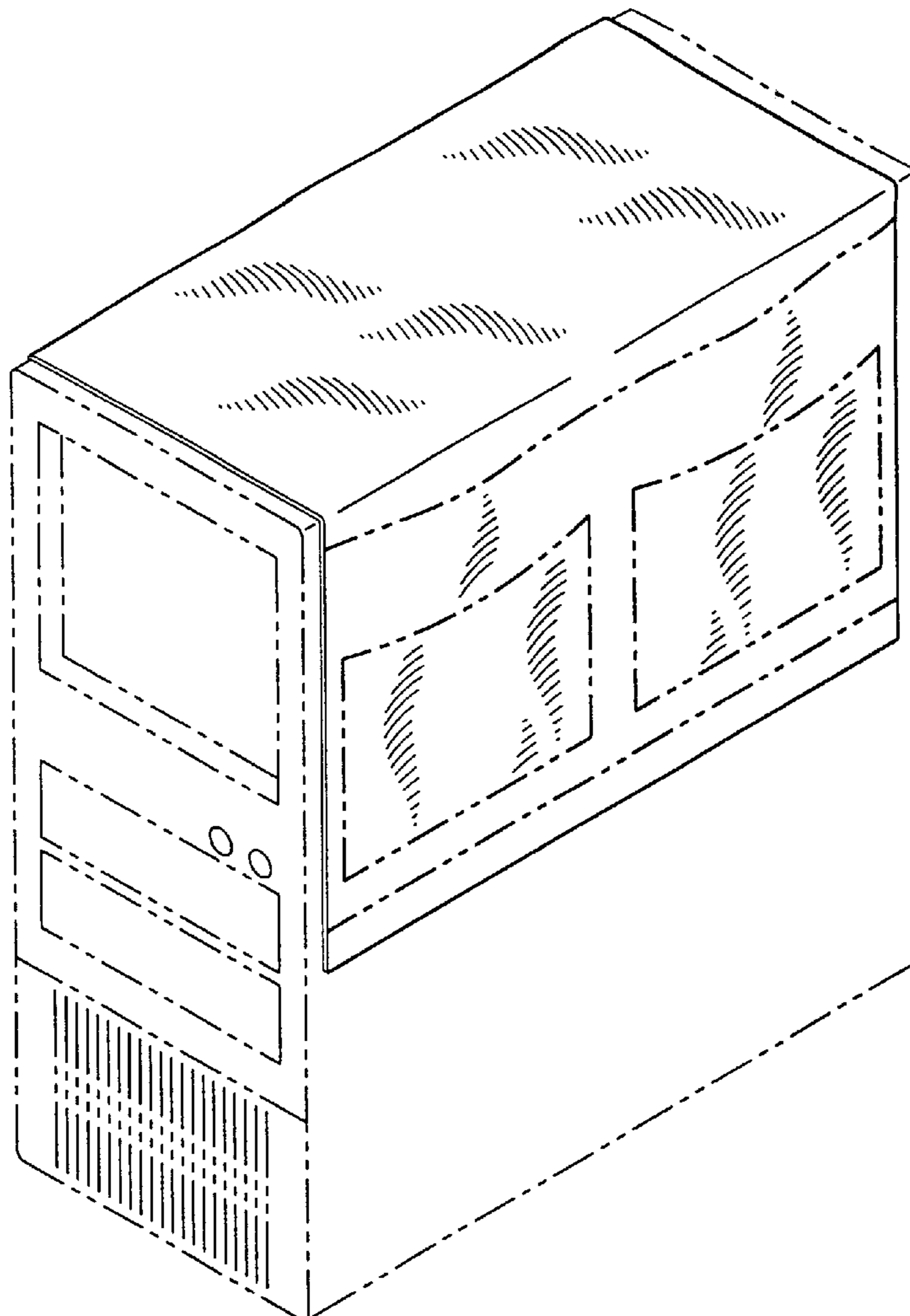
The computer cabinet is shown in broken lines for illustrative purposes only and forms no part of the claimed design.

(56) **References Cited**

U.S. PATENT DOCUMENTS

D309,227 S	*	7/1990	Popiolkowski	D6/601
D323,929 S	*	2/1992	Hodson	D3/301
D357,609 S	*	4/1995	Webb et al.	D6/596
D377,788 S	*	2/1997	Carlson	D14/114
D382,260 S	*	8/1997	Smith	D14/114

1 Claim, 4 Drawing Sheets



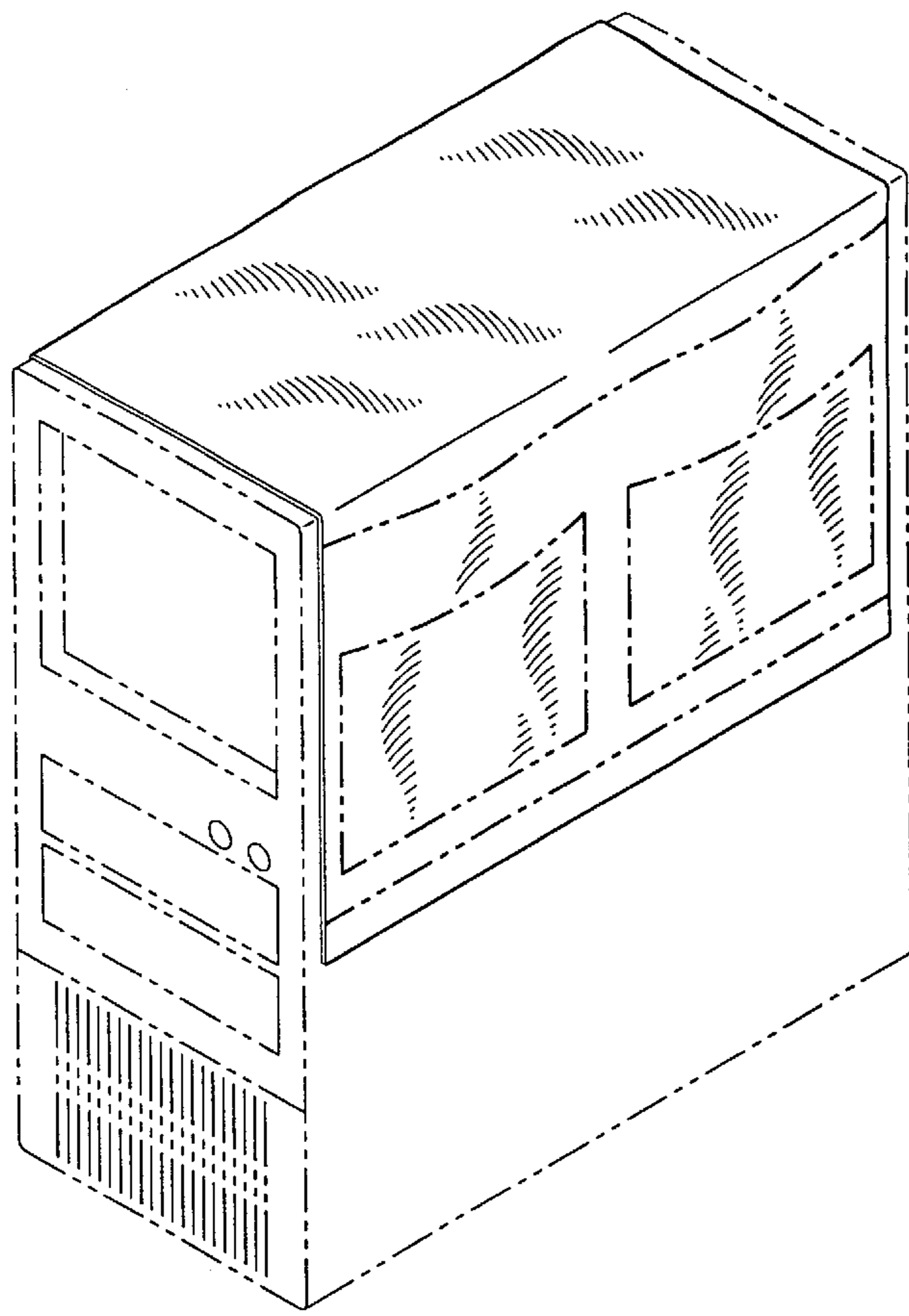


FIG. 1

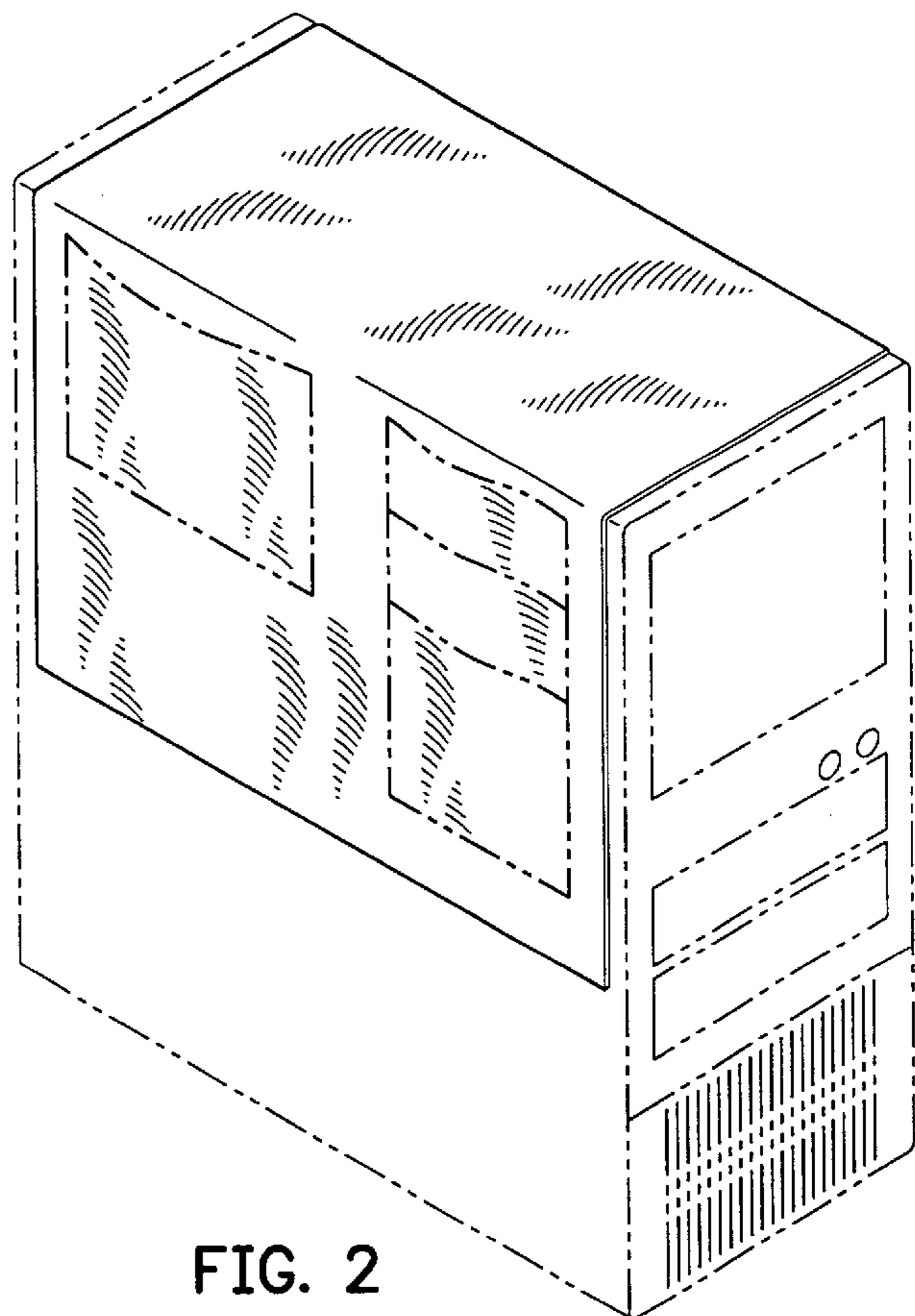


FIG. 2

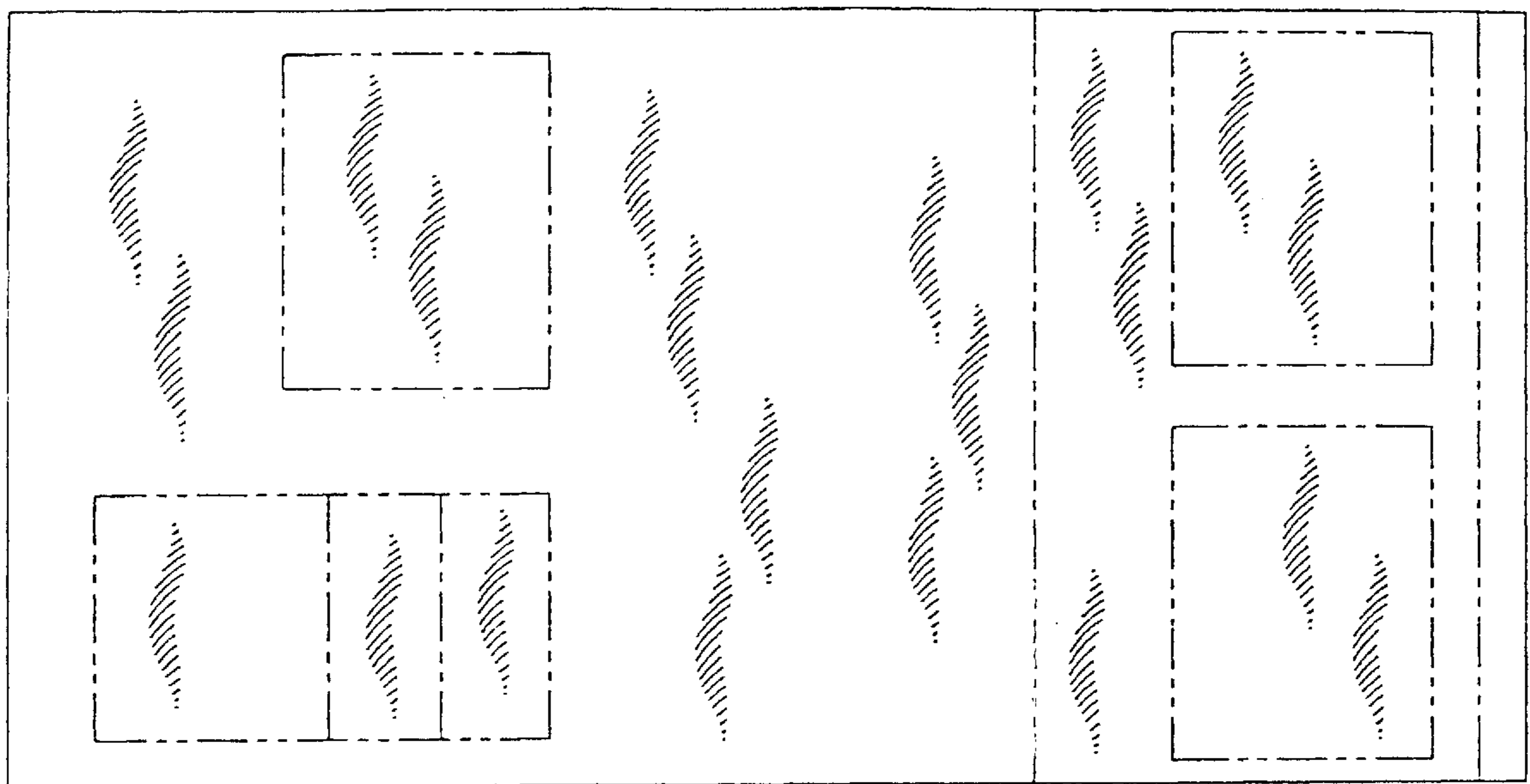


FIG. 3

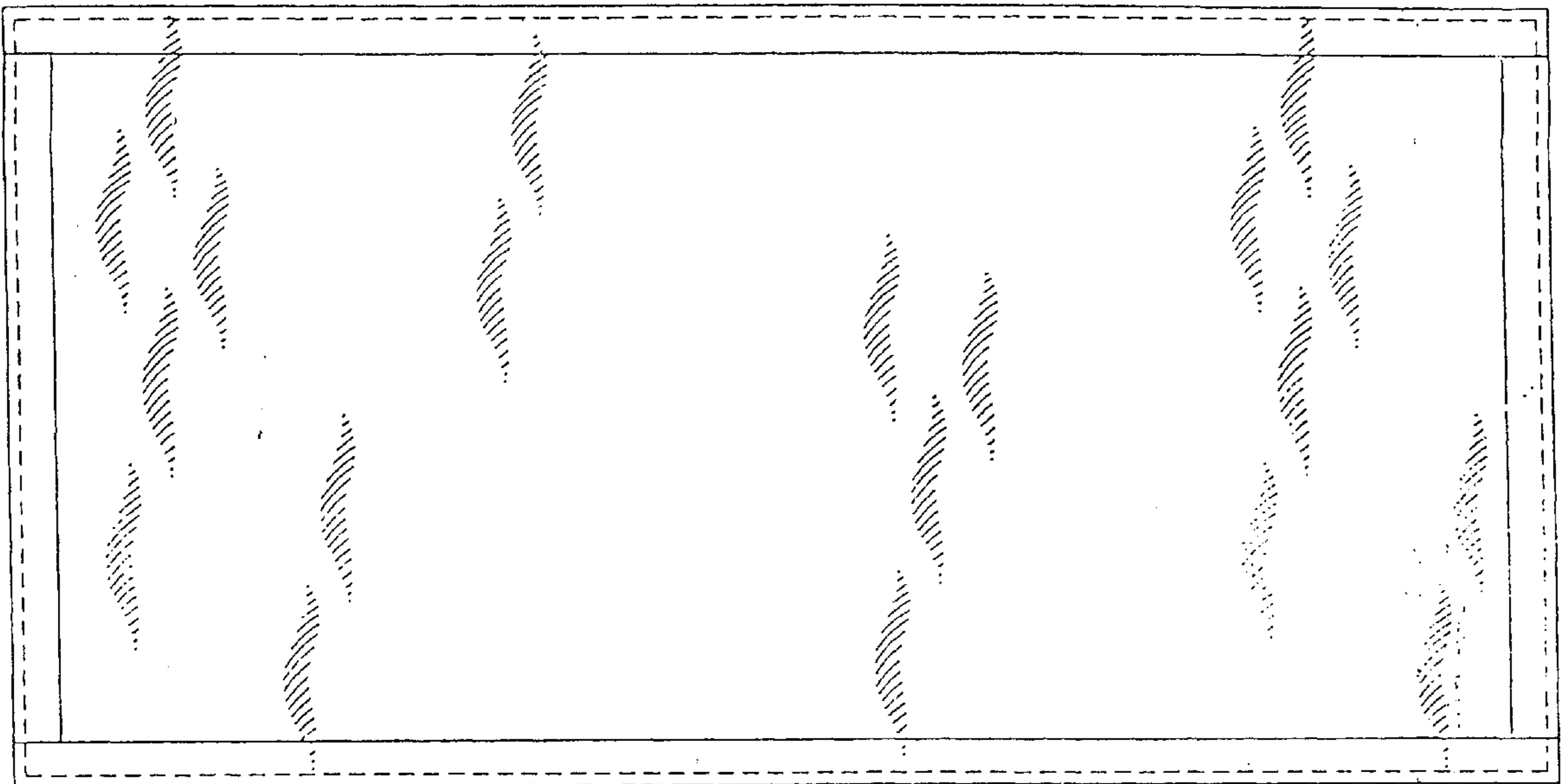


FIG. 4

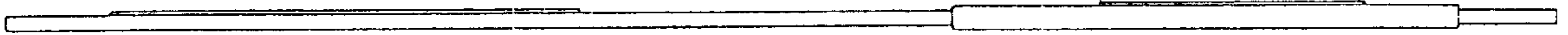


FIG. 5

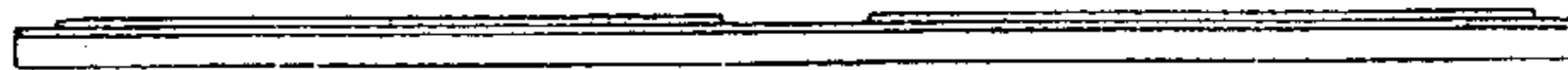


FIG. 6