



US00D467244S

(12) **United States Design Patent**  
**Chien et al.**

(10) **Patent No.:** **US D467,244 S**

(45) **Date of Patent:** **\*\* Dec. 17, 2002**

(54) **COMPUTER ENCLOSURE**

D424,031 S \* 5/2000 Daly ..... D14/349  
D433,681 S \* 11/2000 Jean et al. .... D14/349

(75) Inventors: **Chieh Nan Chien**, Taipei (TW); **Fu Ming Chen**, Taipei (TW); **Yin Sheng Yeh**, Taipei (TW)

\* cited by examiner

(73) Assignee: **Hon Hai Precision Ind. Co., Ltd.**, Taipei Hsien (TW)

*Primary Examiner*—Freda Nunn  
(74) *Attorney, Agent, or Firm*—Wei Te Chung

(\*\*) Term: **14 Years**

(57) **CLAIM**

The ornamental design for a computer enclosure, as shown.

(21) Appl. No.: **29/152,079**

**DESCRIPTION**

(22) Filed: **Dec. 10, 2001**

(51) **LOC (7) Cl.** ..... **14-02**

(52) **U.S. Cl.** ..... **D14/353**

(58) **Field of Search** ..... D14/349-356;  
D13/162, 184, 199; 312/223.1-223.3; 360/99.01-99.12;  
361/680-686, 690-696

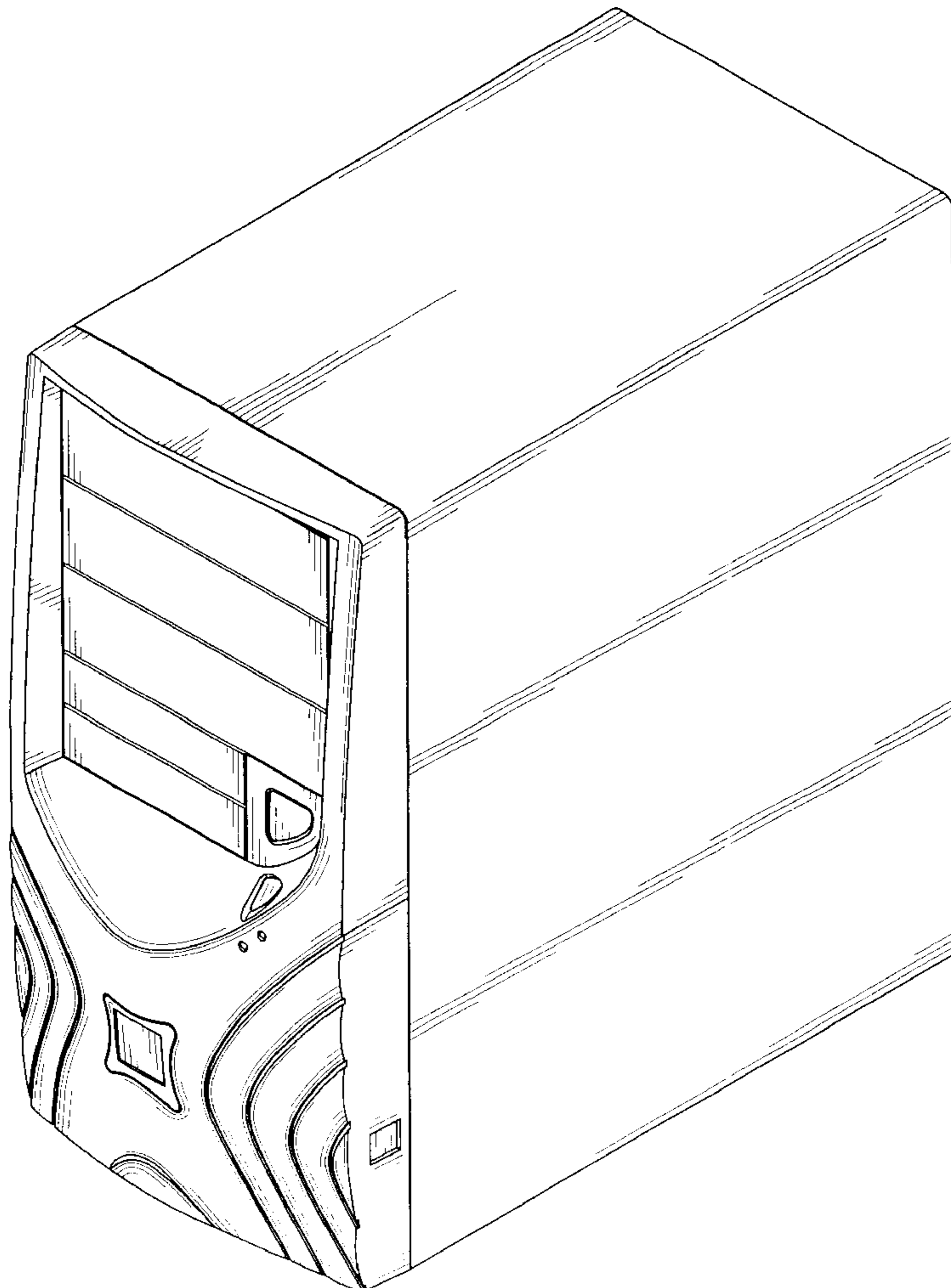
FIG. 1 is a perspective view of a computer enclosure showing our new design;  
FIG. 2 is a front elevational view thereof;  
FIG. 3 is a rear elevational view thereof;  
FIG. 4 is a left side elevational view thereof;  
FIG. 5 is a right side elevational view thereof;  
FIG. 6 is a top plan view thereof; and,  
FIG. 7 is a bottom plan view thereof.

(56) **References Cited**

**U.S. PATENT DOCUMENTS**

D413,106 S \* 8/1999 Yeh et al. .... D14/349

**1 Claim, 7 Drawing Sheets**



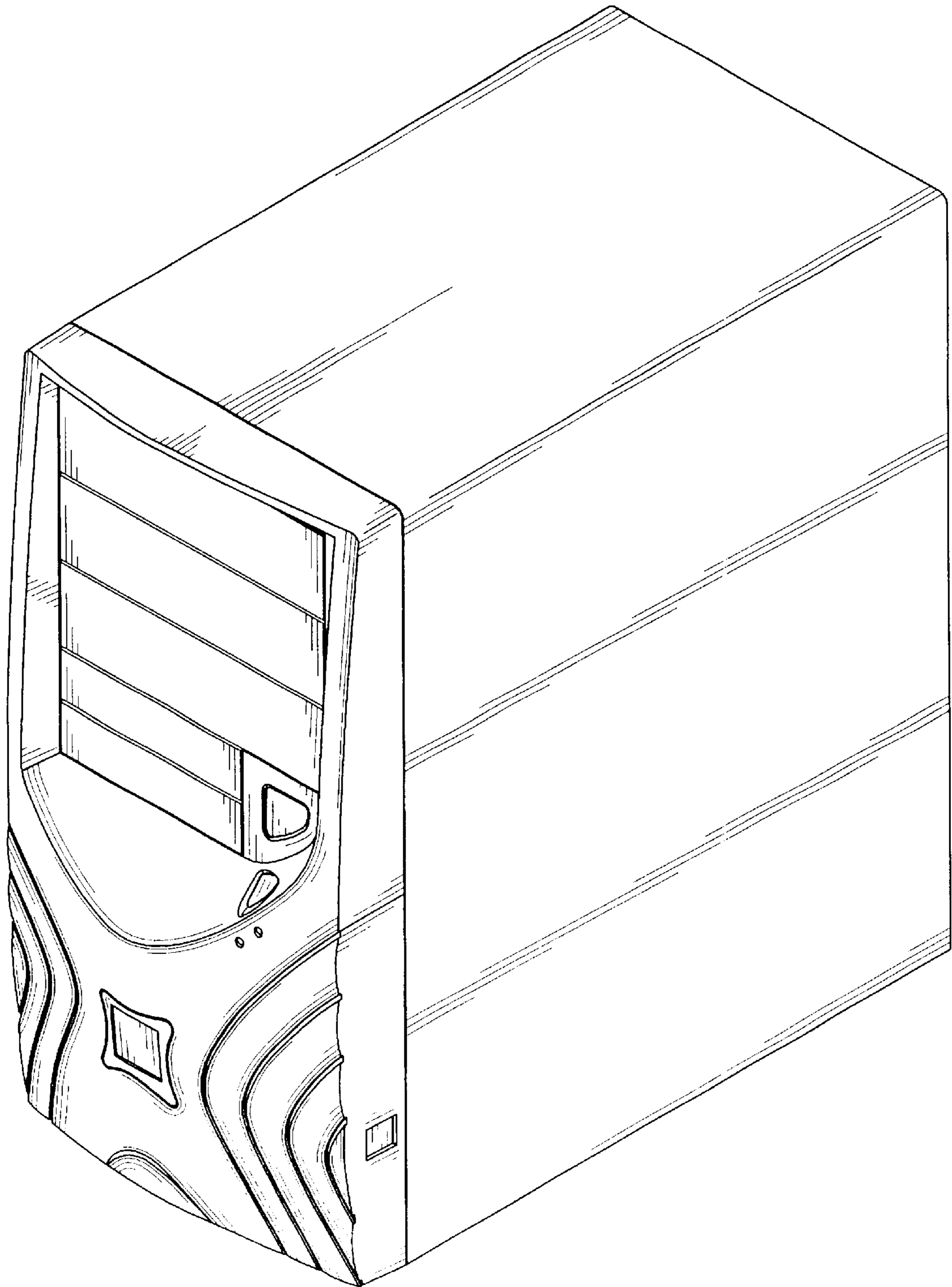


FIG. 1

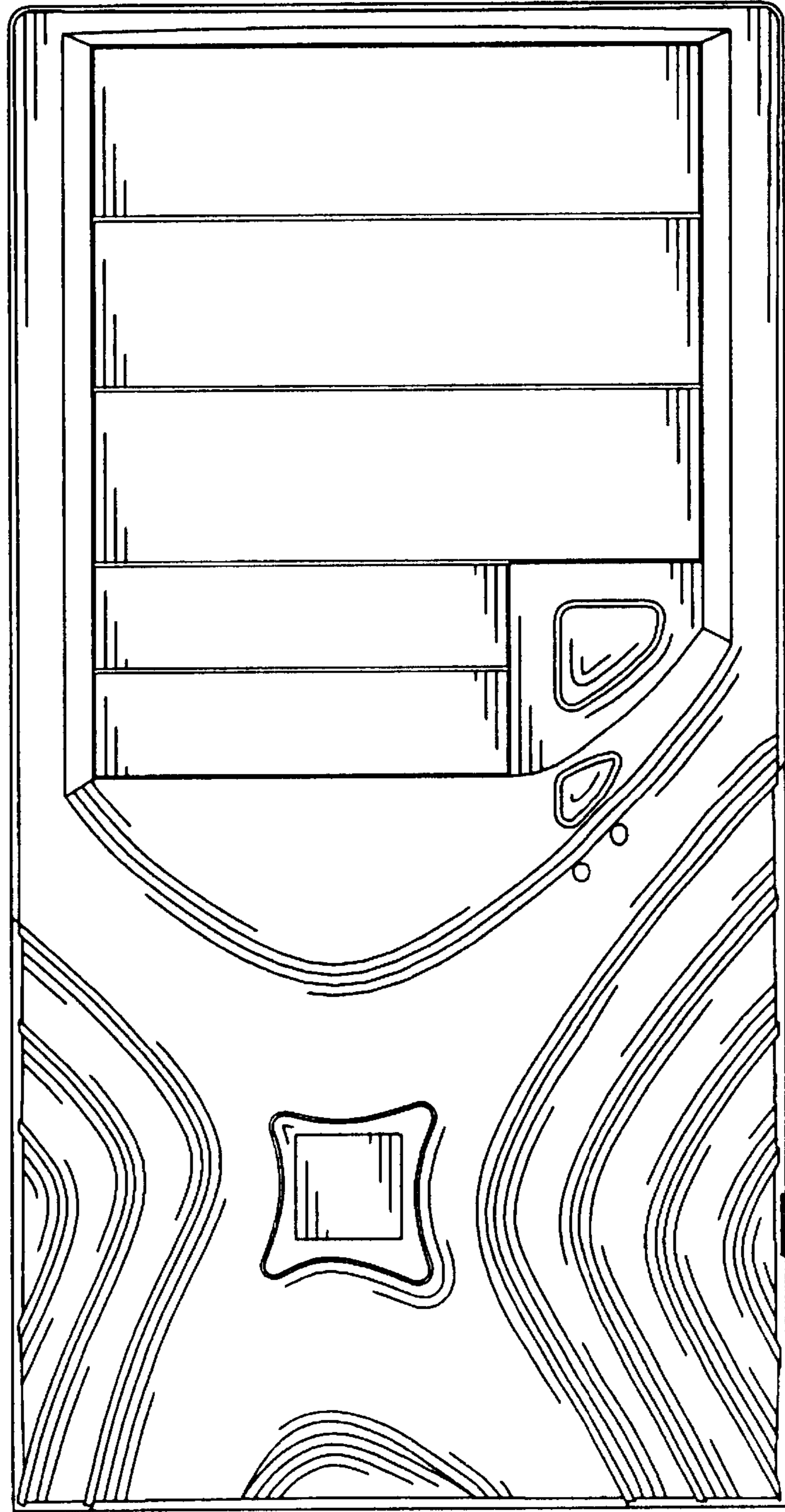


FIG. 2

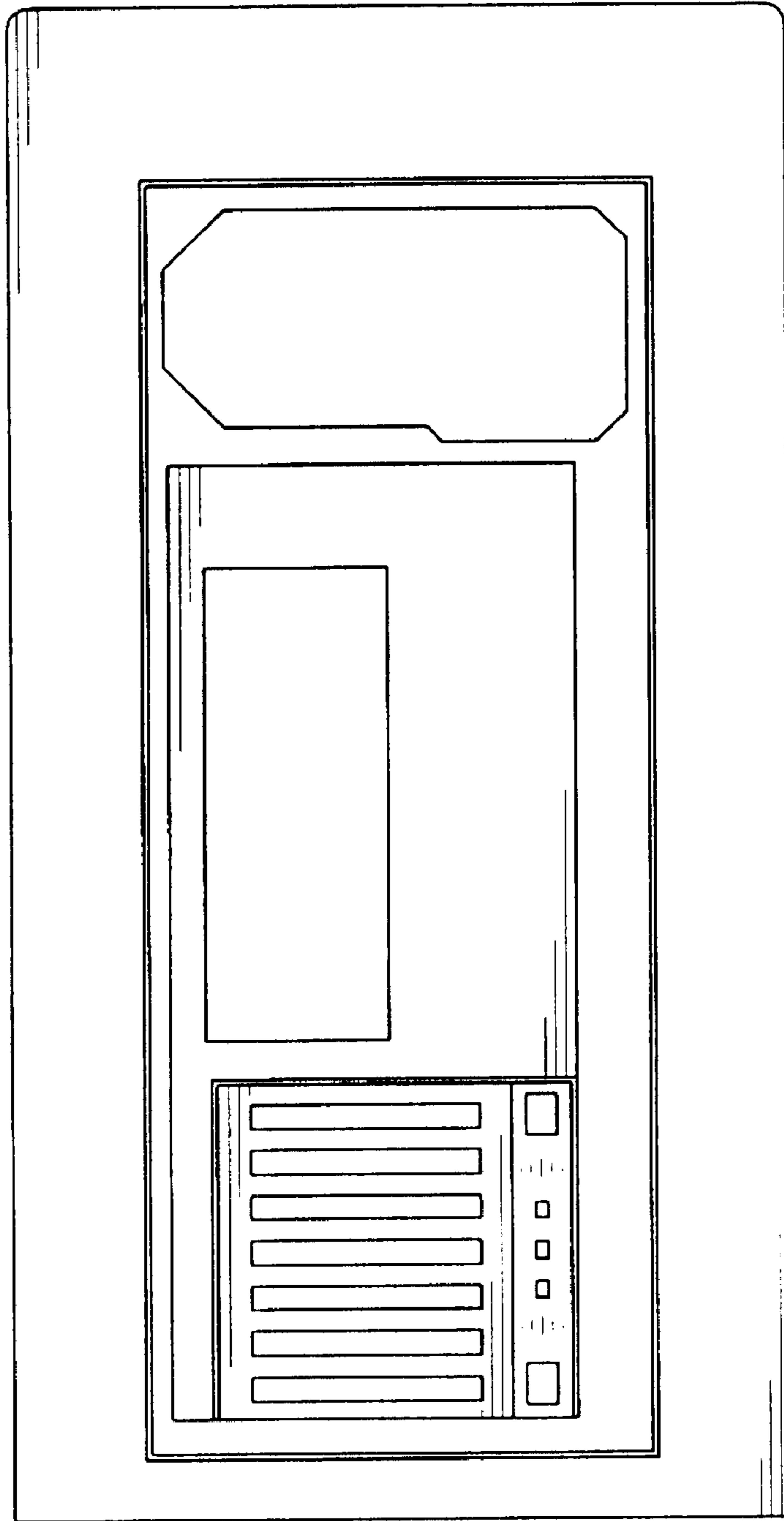


FIG. 3

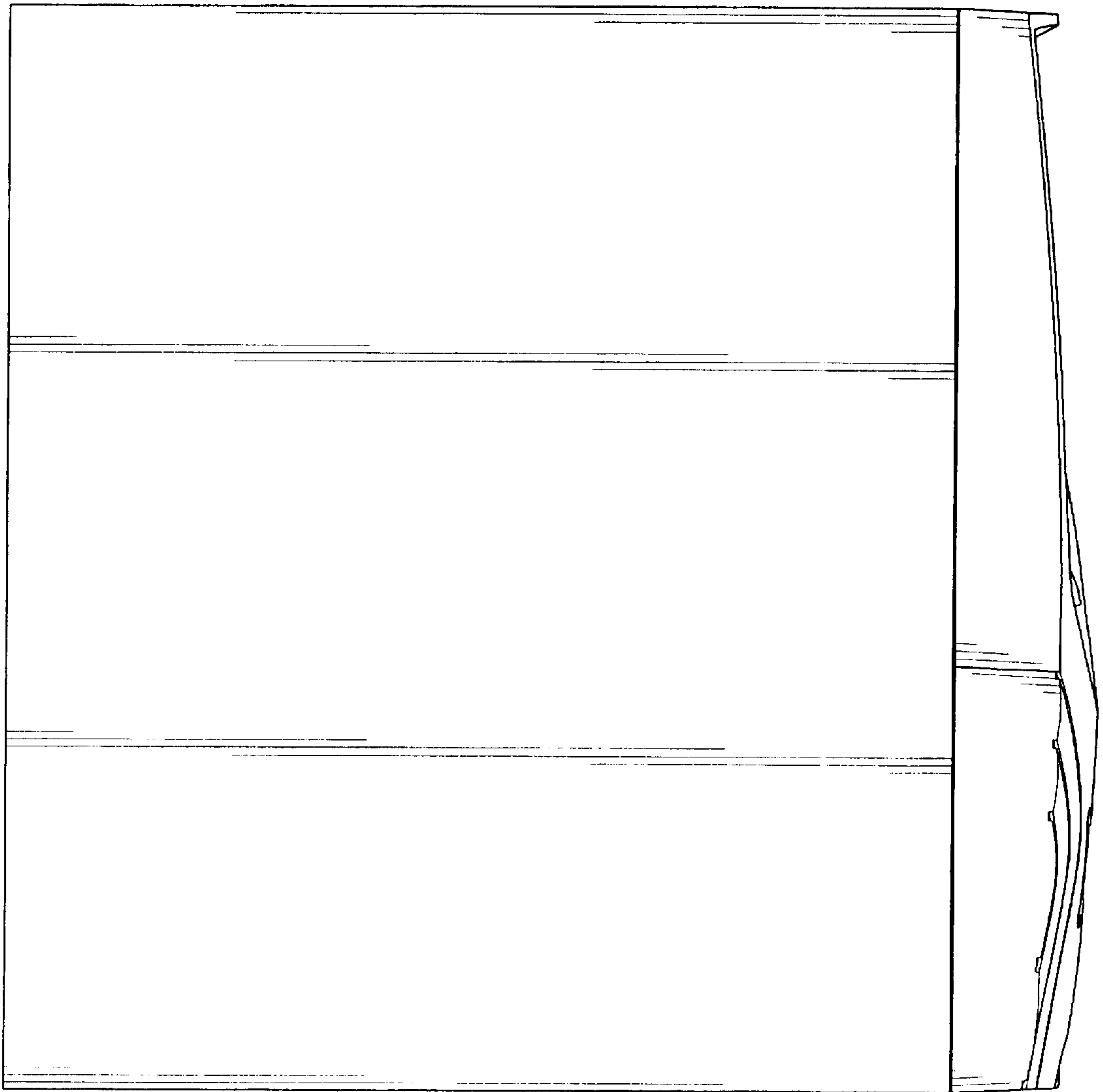


FIG. 4

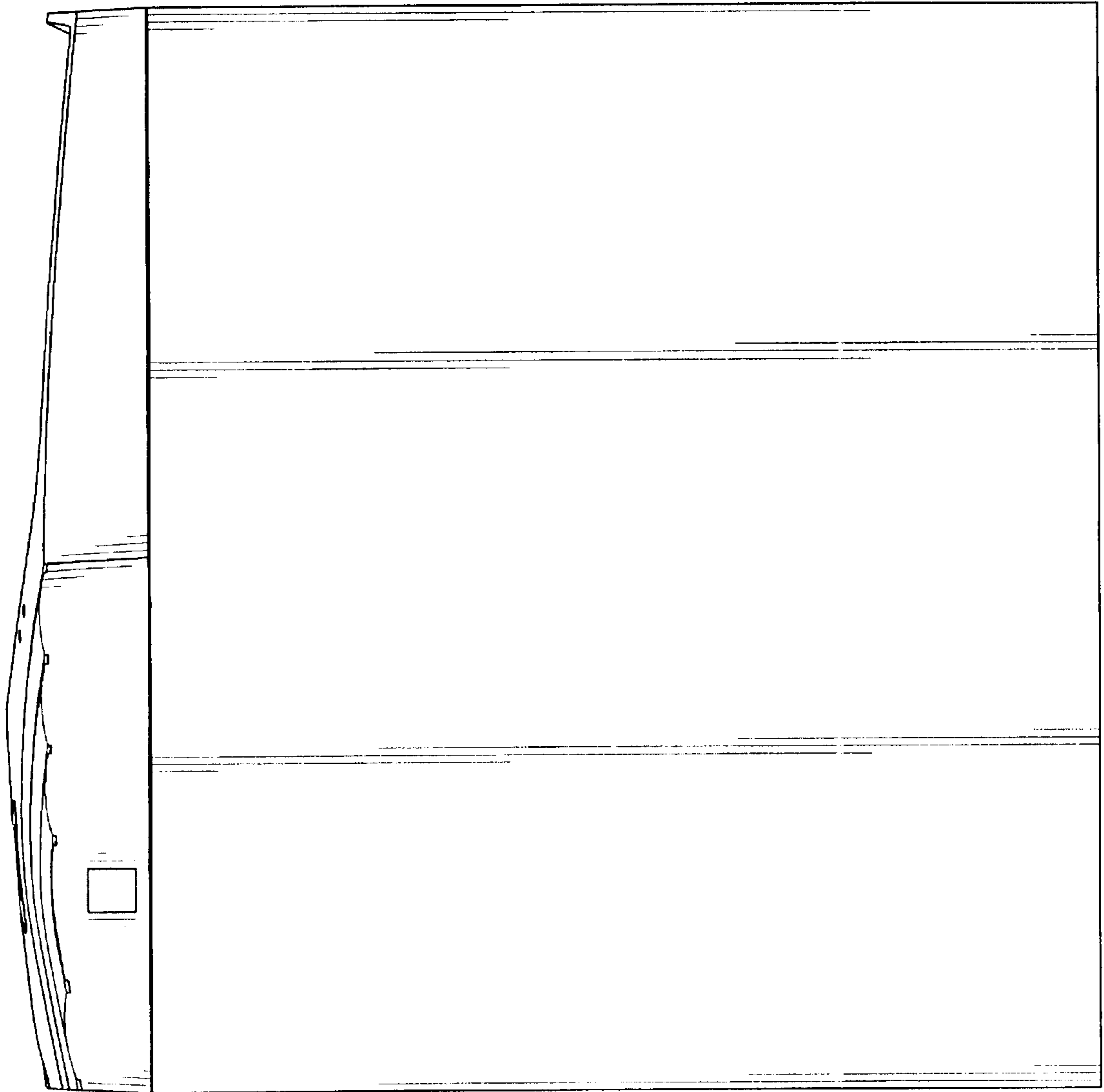


FIG. 5

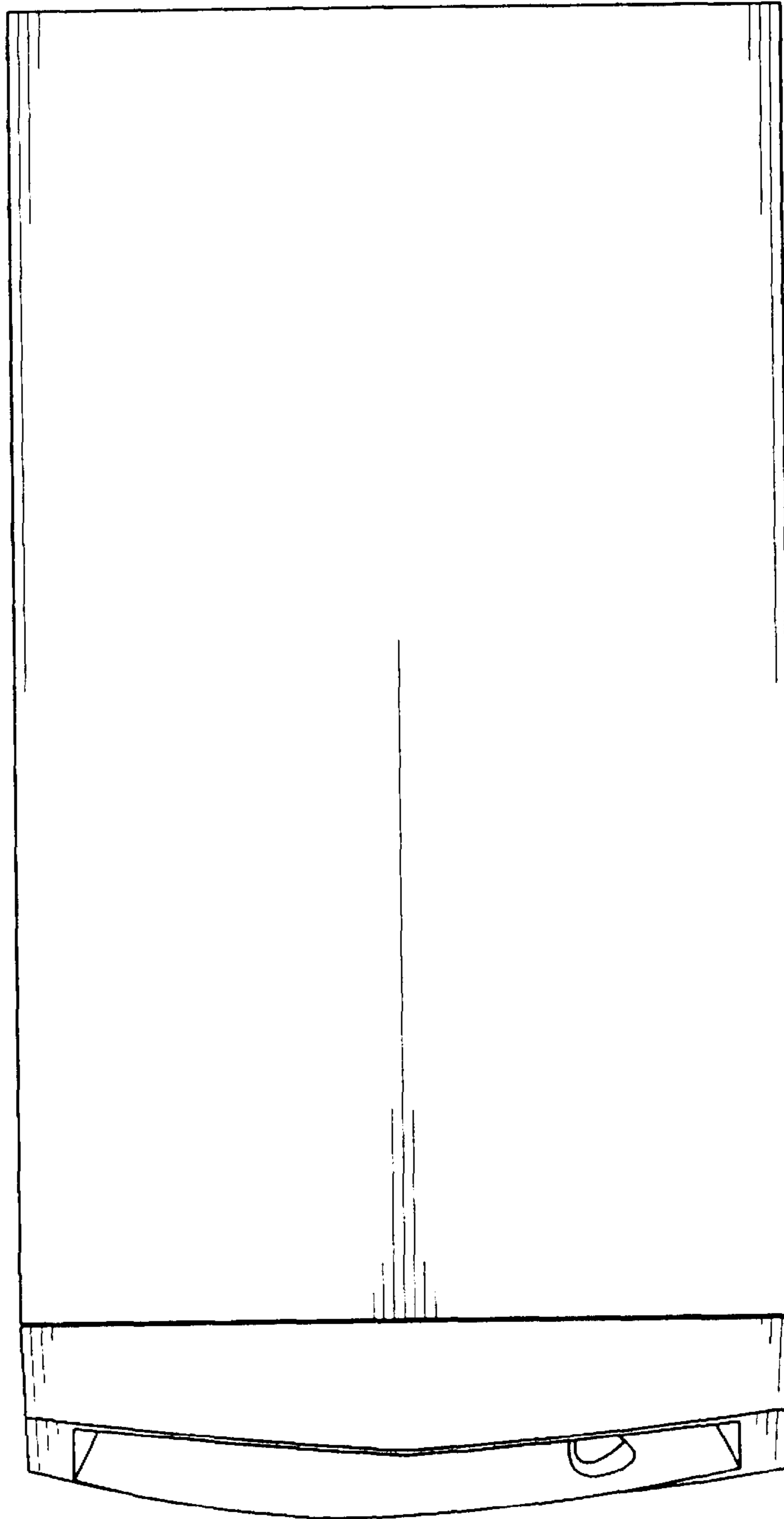


FIG. 6

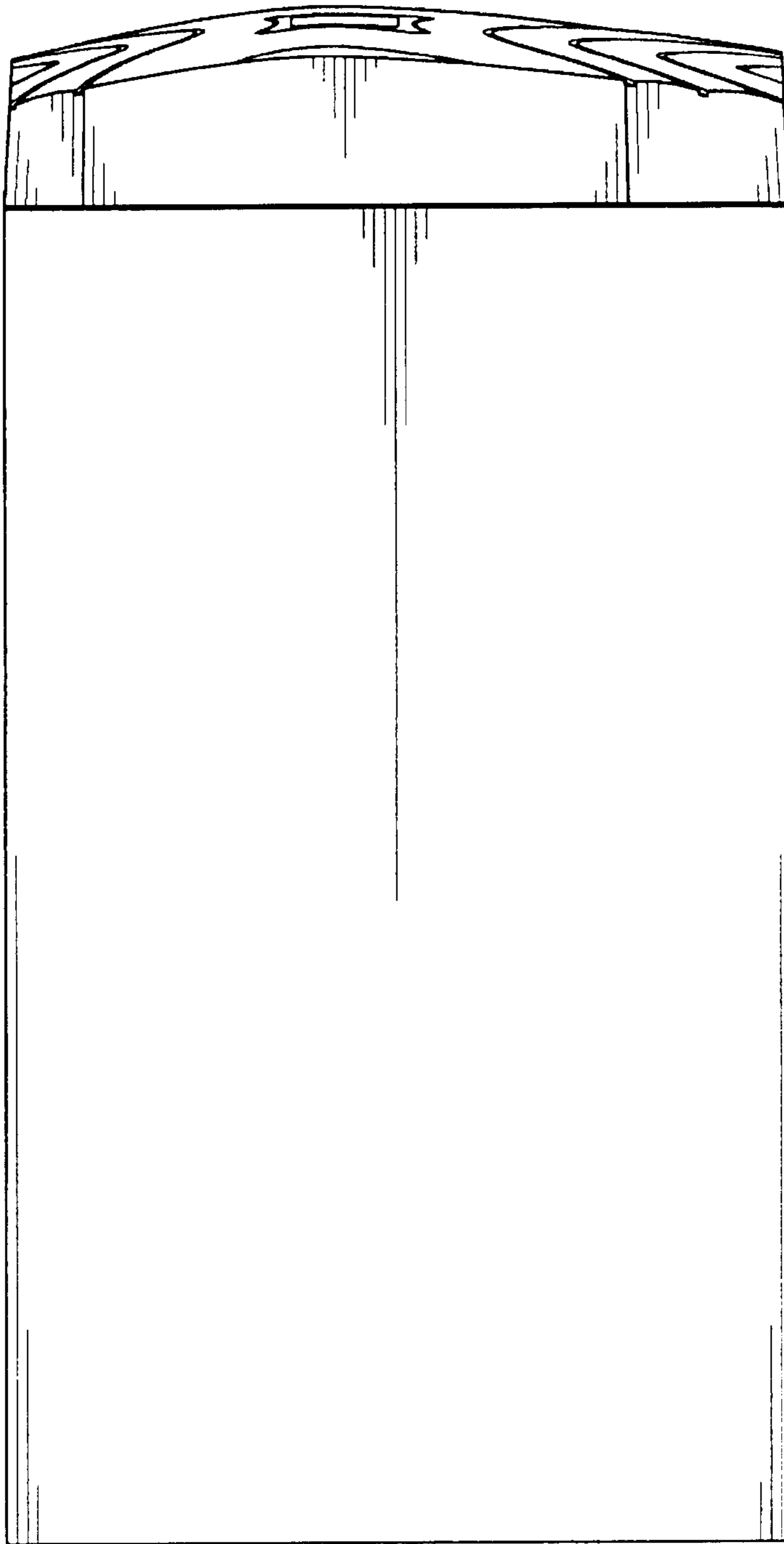


FIG. 7