



US00D467242S

(12) **United States Design Patent** (10) **Patent No.:** **US D467,242 S**
Warner et al. (45) **Date of Patent:** **** Dec. 17, 2002**

(54) **ANTENNA HOUSING**

(75) Inventors: **Jack S. Warner**, Campbell, CA (US);
Martin C. Bringuel, San Jose, CA (US)

(73) Assignee: **Trimble Navigation Limited**, Sunnyvale, CA (US)

(**) Term: **14 Years**

(21) Appl. No.: **29/140,321**

(22) Filed: **Jul. 27, 2001**

Related U.S. Application Data

(62) Division of application No. 29/126,338, filed on Jul. 12, 2000, now Pat. No. Des. 444,144.

(51) **LOC (7) Cl.** **14-03**

(52) **U.S. Cl.** **D14/230**

(58) **Field of Search** D14/230-238,
D14/137; 343/702, 901, 720, 713, 714,
795, 765, 840, 872, 878, 879; 455/90, 347,
128, 562

(56) **References Cited**

U.S. PATENT DOCUMENTS

- D227,785 S * 7/1973 Kaysen D14/233
- D355,416 S * 2/1995 McCay et al. D14/137
- D363,935 S * 11/1995 McGreevy D14/230

- D421,439 S * 3/2000 Giuntoli D14/230
- 6,040,805 A * 3/2000 Huynh et al. 343/872
- D426,827 S * 6/2000 Tsai Wang D14/230
- D442,168 S * 5/2001 Warner et al. D14/231

OTHER PUBLICATIONS

J & R Music World 2001 p. 50 bottom of page, TERK F-9925 Antenna.*

* cited by examiner

Primary Examiner—Louis S. Zarfes

Assistant Examiner—Deanne Levy

(74) *Attorney, Agent, or Firm*—Wagner Murabito & Hao LLP

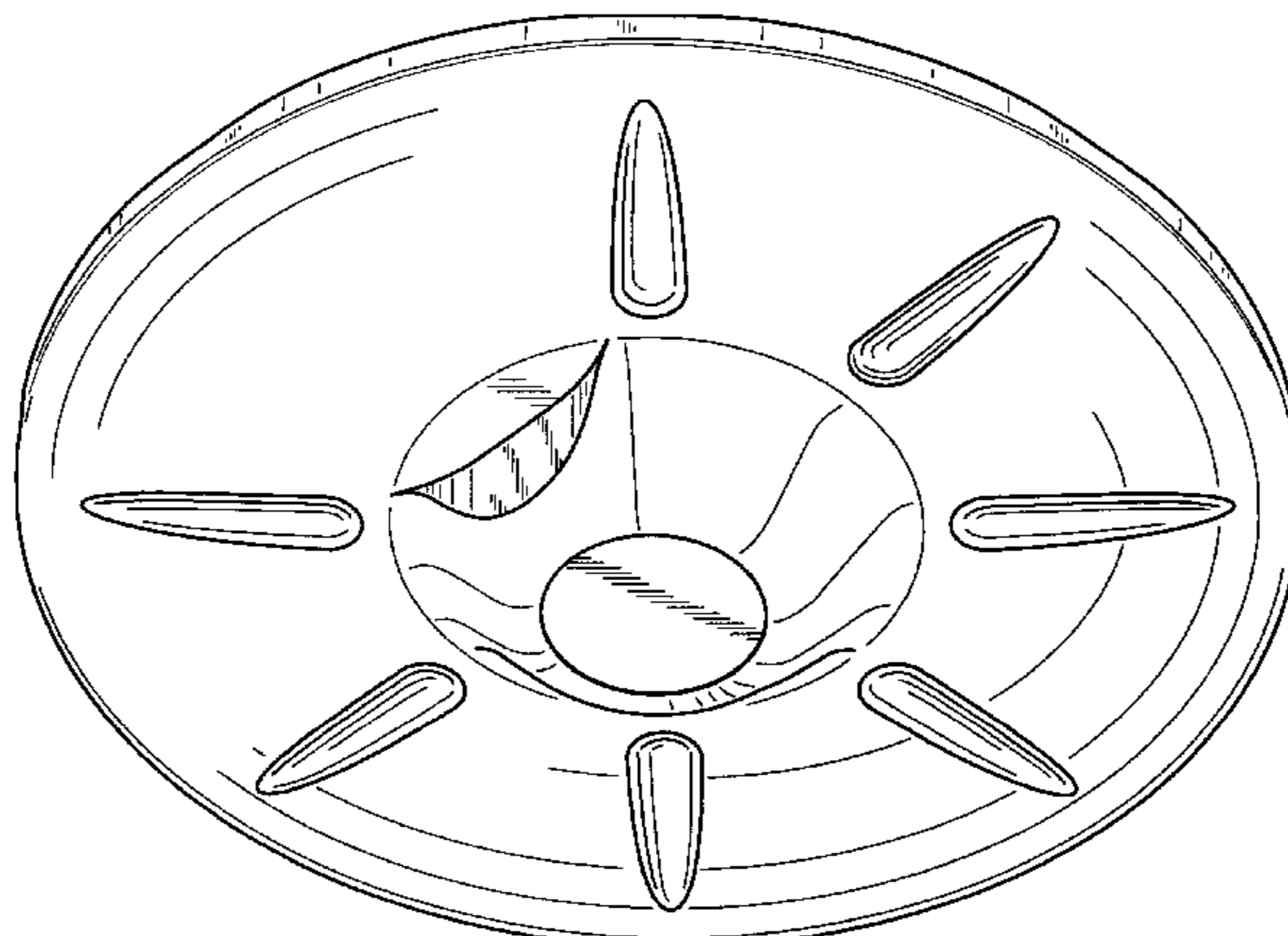
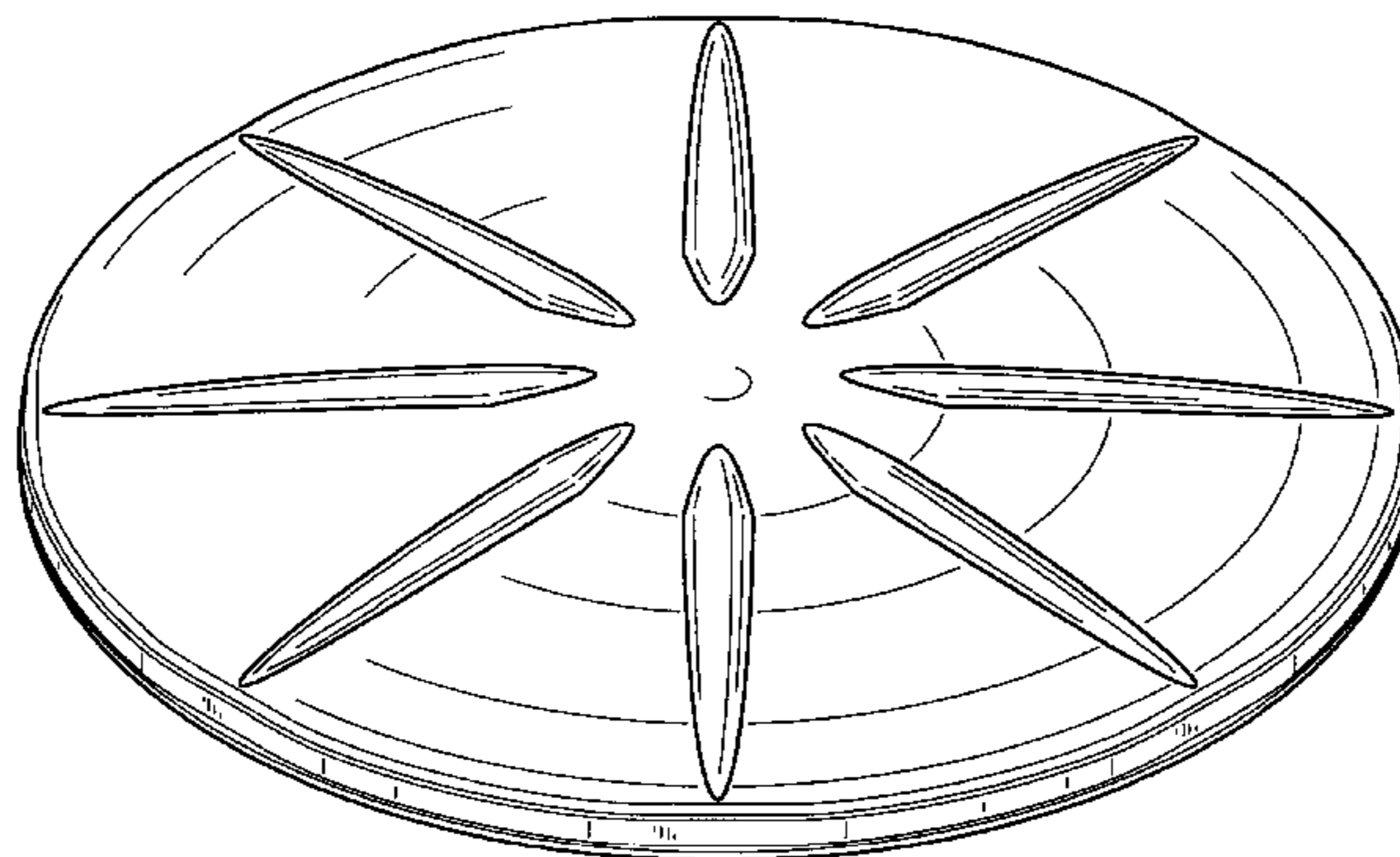
(57) **CLAIM**

We claim the ornamental design for an antenna housing, as shown.

DESCRIPTION

FIG. 1 is an upper left front perspective view, of the antenna housing comprising the present invention;
FIG. 2 is a lower right front perspective view thereof;
FIG. 3 is a front elevational view thereof;
FIG. 4 is a right side elevational view thereof;
FIG. 5 is a rear elevational view thereof;
FIG. 6 is a left side elevational view thereof;
FIG. 7 is a top plan view thereof; and,
FIG. 8 is a bottom plan view thereof.

1 Claim, 3 Drawing Sheets



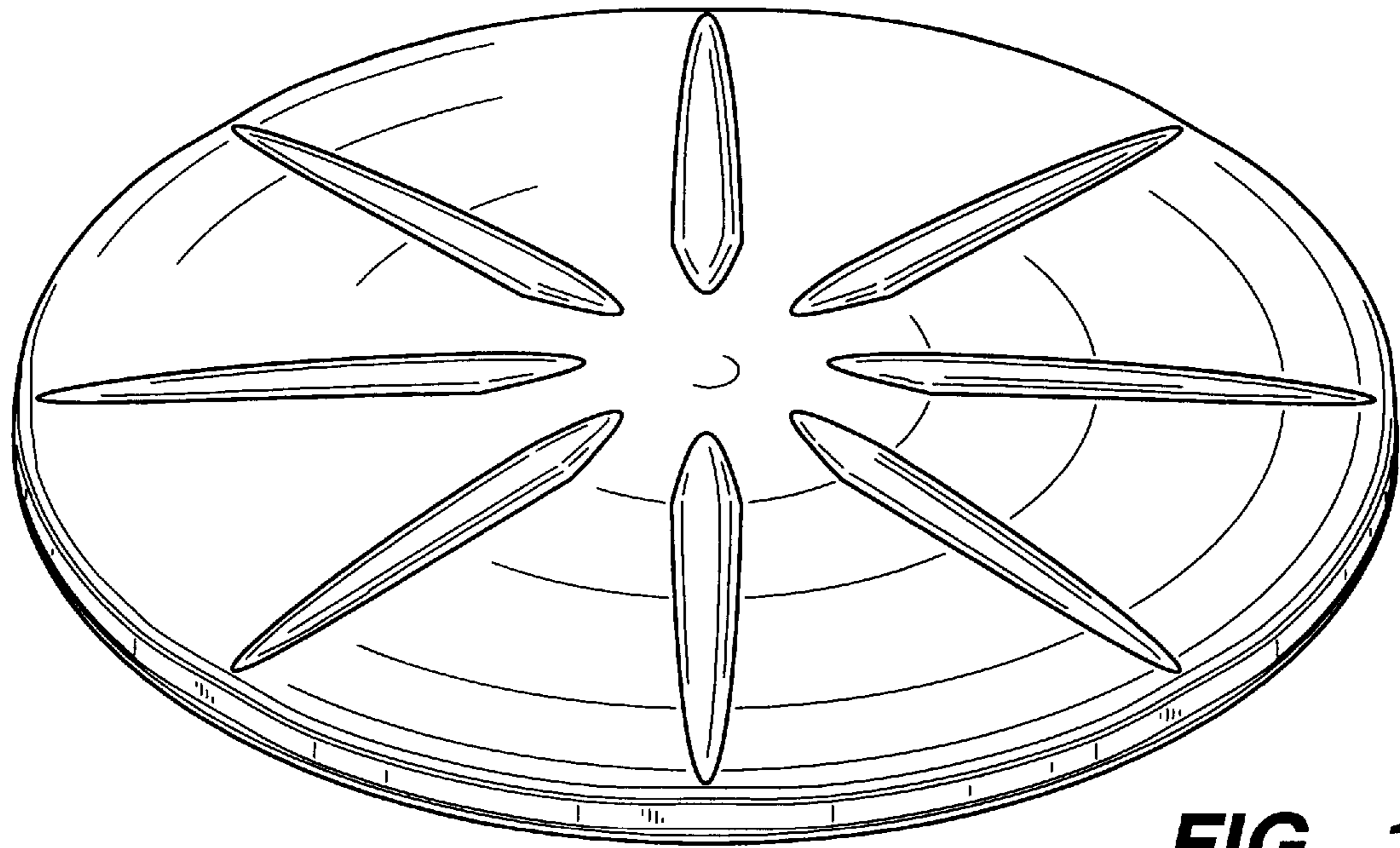


FIG. 1

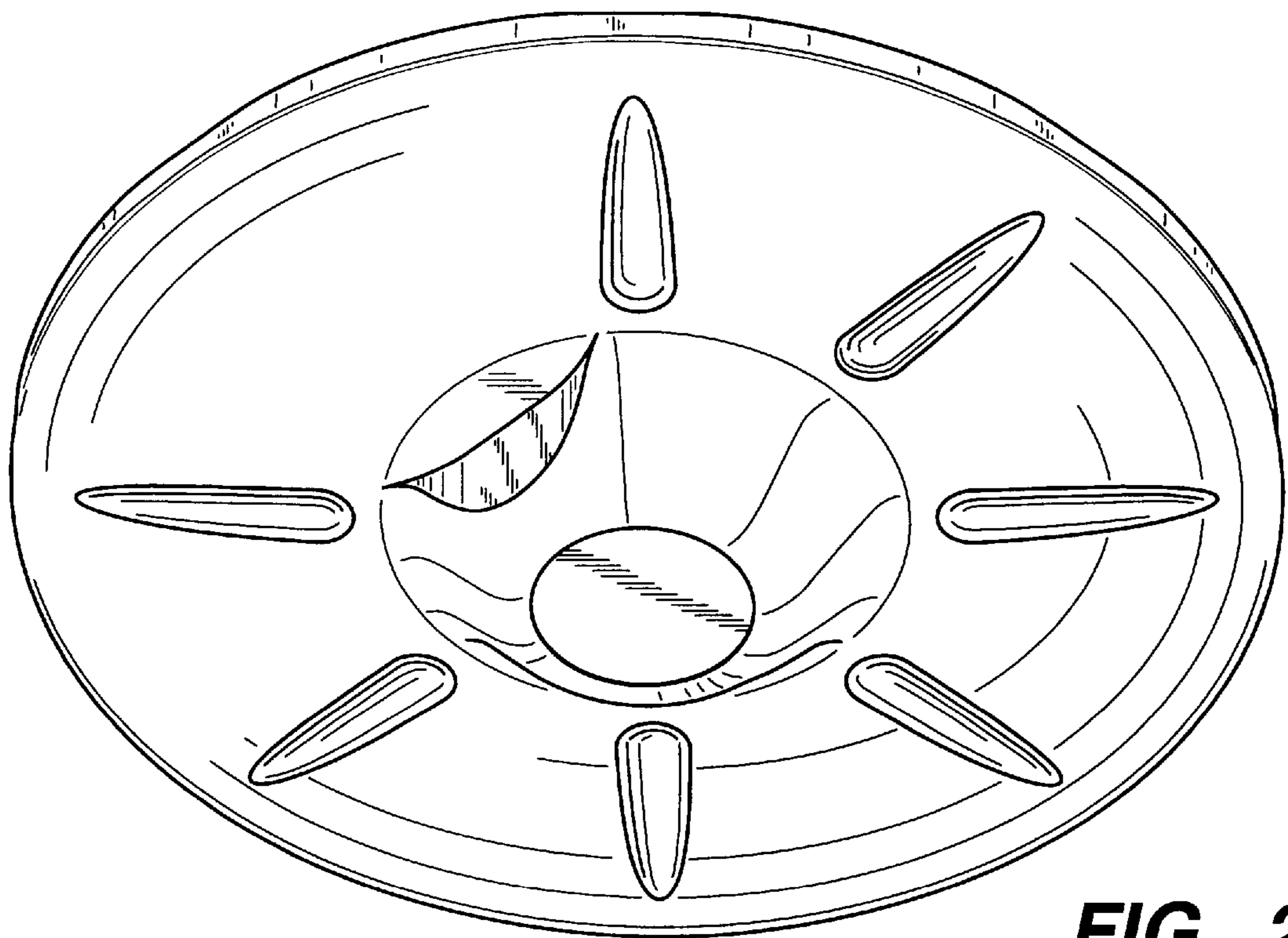


FIG. 2

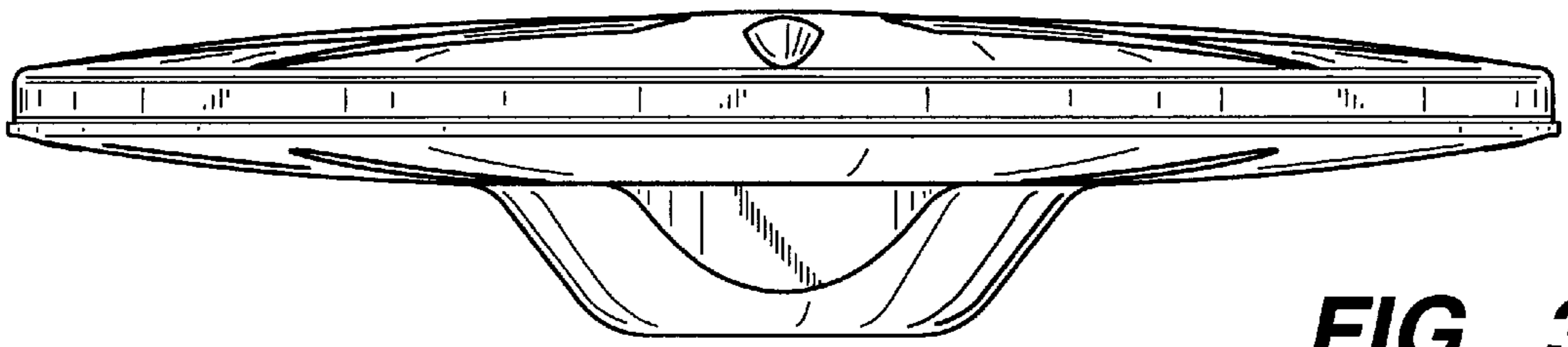


FIG. 3

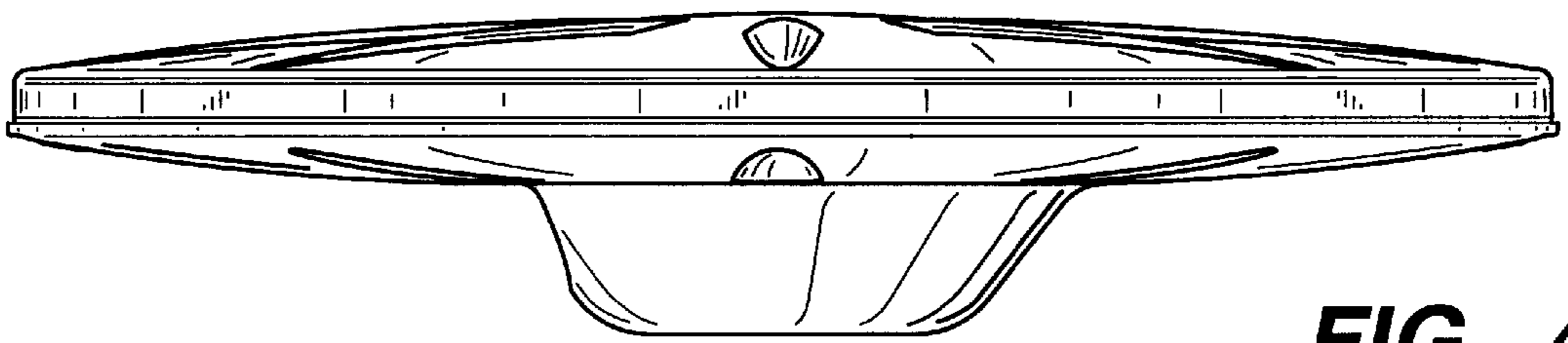


FIG. 4

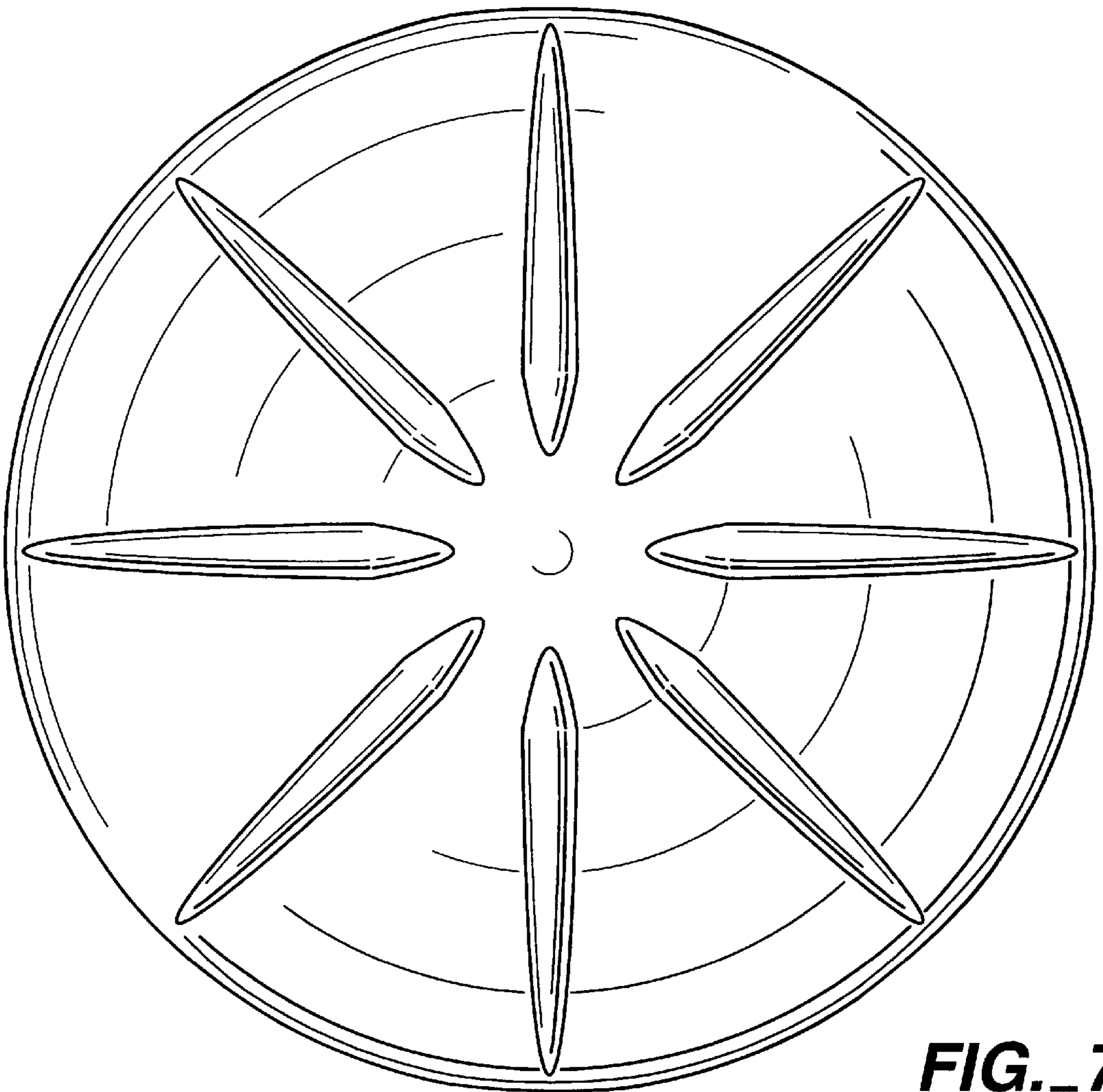


FIG. 7

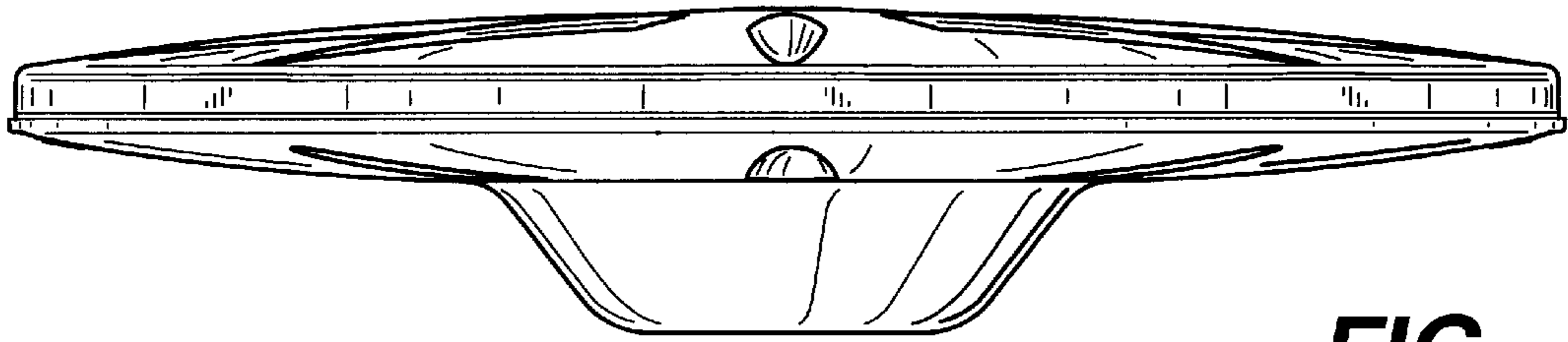


FIG._5

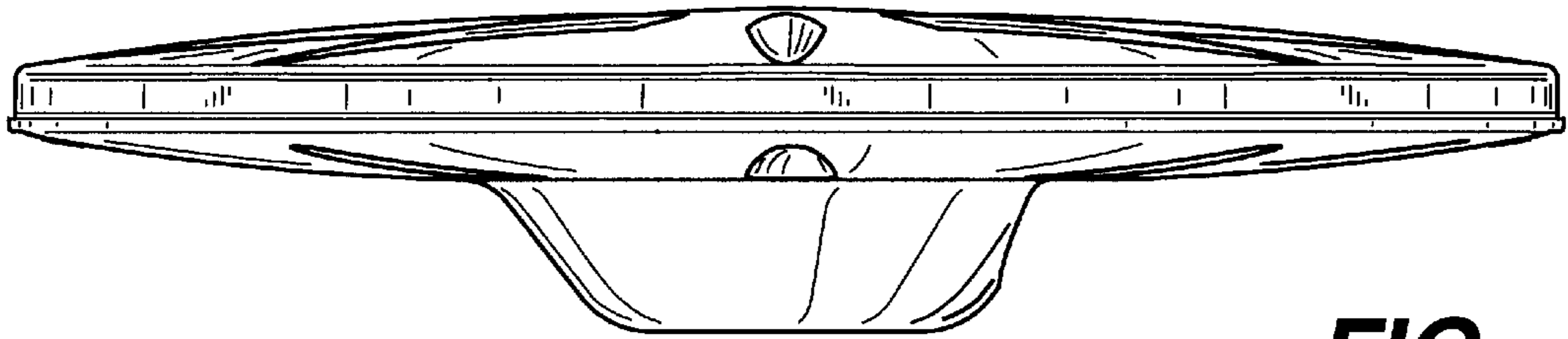


FIG._6

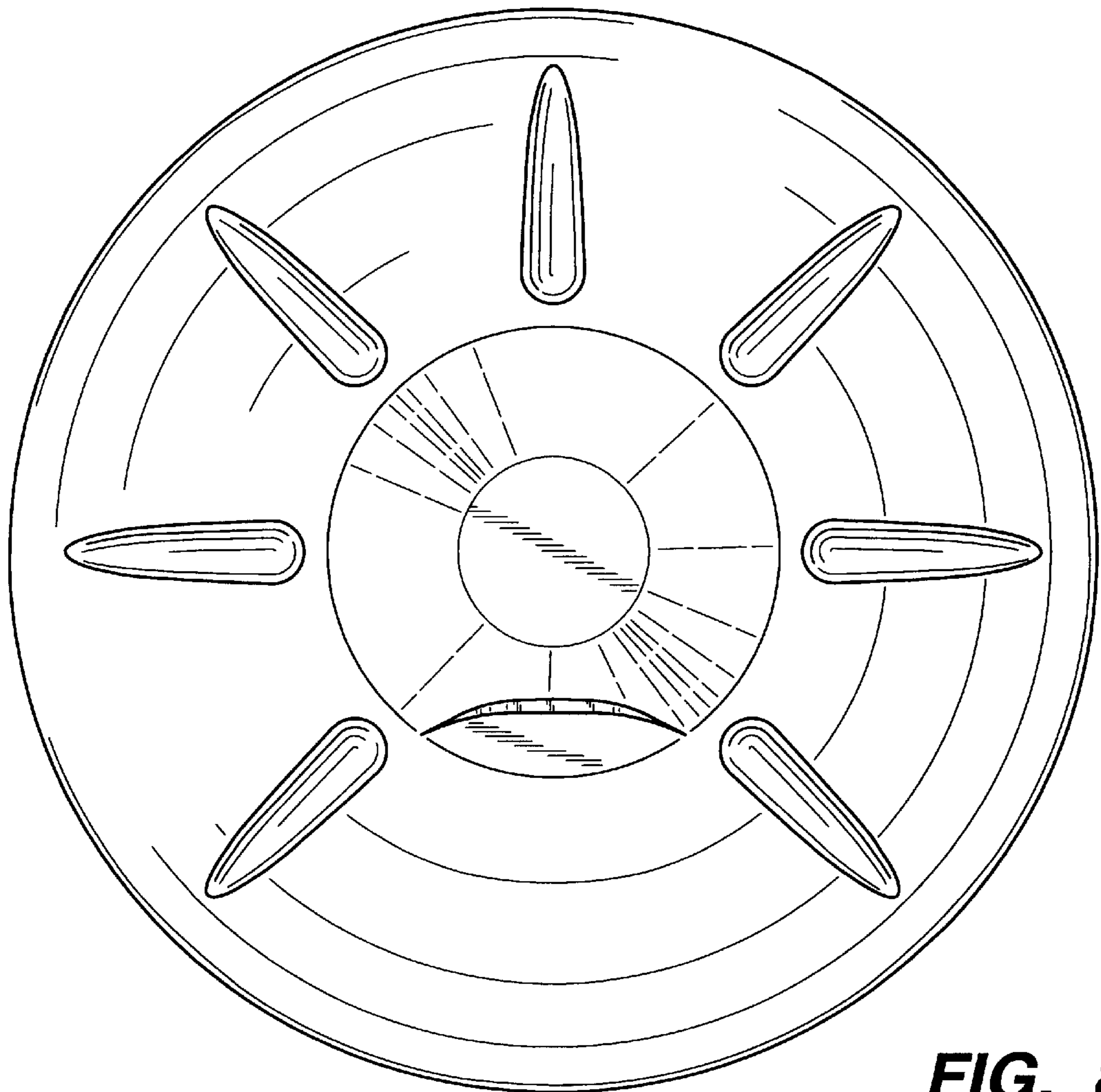


FIG._8

UNITED STATES PATENT AND TRADEMARK OFFICE
CERTIFICATE OF CORRECTION

PATENT NO. : Des. 467,242 S
DATED : December 17, 2002
INVENTOR(S) : Jack S. Warner and Martin C. Bringuel

Page 1 of 1

It is certified that error appears in the above-identified patent and that said Letters Patent is hereby corrected as shown below:

Title page,
Item [22], should read:

-- [22] Filed: **Dec. 08, 2000** --

Signed and Sealed this

Twenty-second Day of July, 2003

A handwritten signature in black ink, appearing to read "James E. Rogan", with a horizontal line drawn underneath it.

JAMES E. ROGAN
Director of the United States Patent and Trademark Office