



US00D467239S

(12) **United States Design Patent**
Griesau et al.

(10) **Patent No.:** **US D467,239 S**

(45) **Date of Patent:** **** Dec. 17, 2002**

(54) **REMOTE CONTROL**

(75) Inventors: **Eugene W. Griesau**, Albany, NY (US);
Stephanie B. Plant, Altamont, NY
(US); **Rebecca J. Carlotti**, Rotterdam
Junction, NY (US); **Hye-Youn Cho**,
Shihung (KR); **Sungseob Lee**, Anyang
(KR)

(73) Assignee: **Contec Corporation**, Schenectady, NY
(US)

(**) Term: **14 Years**

(21) Appl. No.: **29/142,353**

(22) Filed: **May 24, 2001**

(51) **LOC (7) Cl.** **14-03**

(52) **U.S. Cl.** **D14/218**

(58) **Field of Search** D14/174, 217,
D14/218, 124, 137-139, 155, 299; 348/114,
734; D10/104, 106; D21/512-517, 566;
D13/168; 455/352-355, 151.1-151.4; D24/200

(56) **References Cited**

U.S. PATENT DOCUMENTS

5,414,426	A	*	5/1995	O'Donnell et al.	348/734
5,648,757	A	*	7/1997	Vernace et al.	348/734
D384,940	S	*	10/1997	Kono et al.	D13/168
D417,219	S	*	11/1999	Barrette et al.	D14/218
D444,131	S	*	6/2001	Pinchuk	D13/168

OTHER PUBLICATIONS

Hong Kong Enterprise vol.2 2000 p. 497 electronic games,
top row.*

“Oversized Universal Remote Control,” “Jumbo Universal
Remote,” “Big Button Remote Control,” 2001-2002 Maxi-
Aids Catalog, Cover page and p. 92.

“Big Button, Oversized TV Remote,” Dynamic Living web
site, 2-pages, May 18, 2001.

* cited by examiner

Primary Examiner—Louis S. Zarfes

Assistant Examiner—Deanne Levy

(74) *Attorney, Agent, or Firm*—Heslin Rothenberg Farley
& Mesiti P.C.

(57) **CLAIM**

The ornamental design for the remote control, as shown and
described.

DESCRIPTION

FIG. 1 is a perspective view of a first embodiment of a remote
control showing our new design;

FIG. 2 is a top plan view thereof;

FIG. 3 is a bottom plan view thereof;

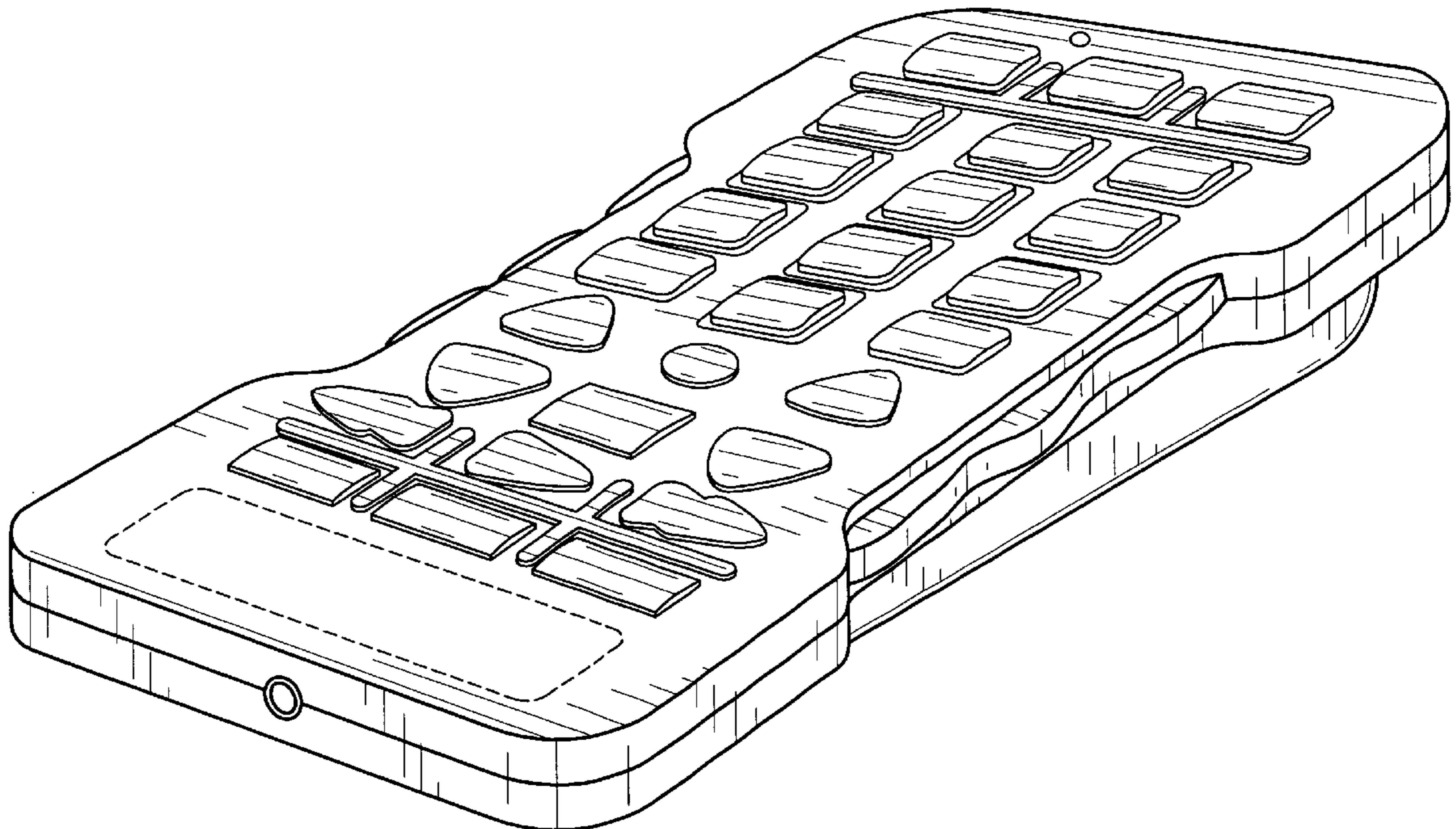
FIG. 4 is a left side elevational view thereof, the right side
elevational view being a mirror image thereof;

FIG. 5 is a rear elevational view thereof; and,

FIG. 6 is a front elevational view thereof.

The broken lines are for illustration purposes only and form
no part of the claimed invention.

1 Claim, 4 Drawing Sheets



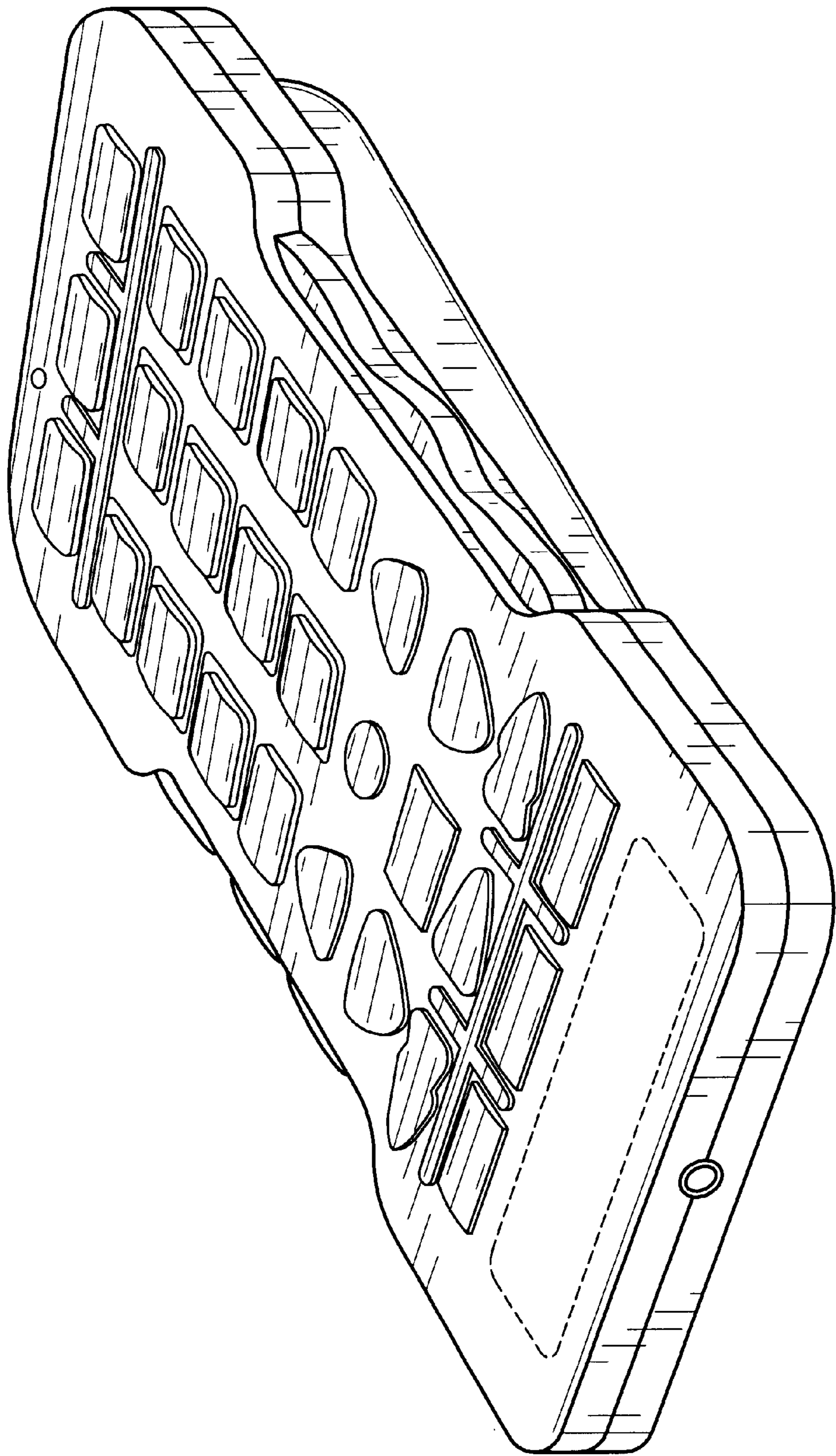


FIG. 1

FIG. 2

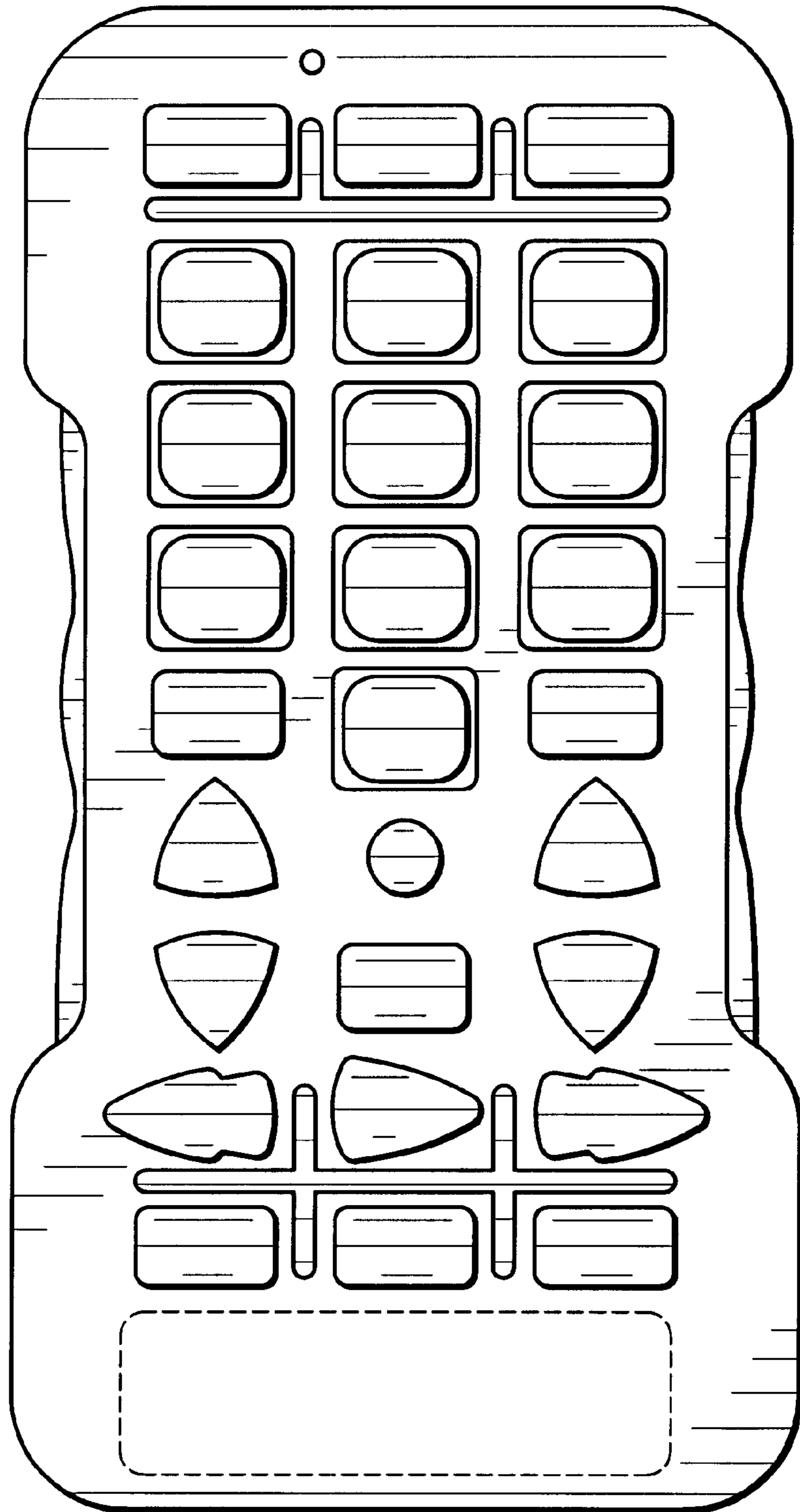


FIG. 3

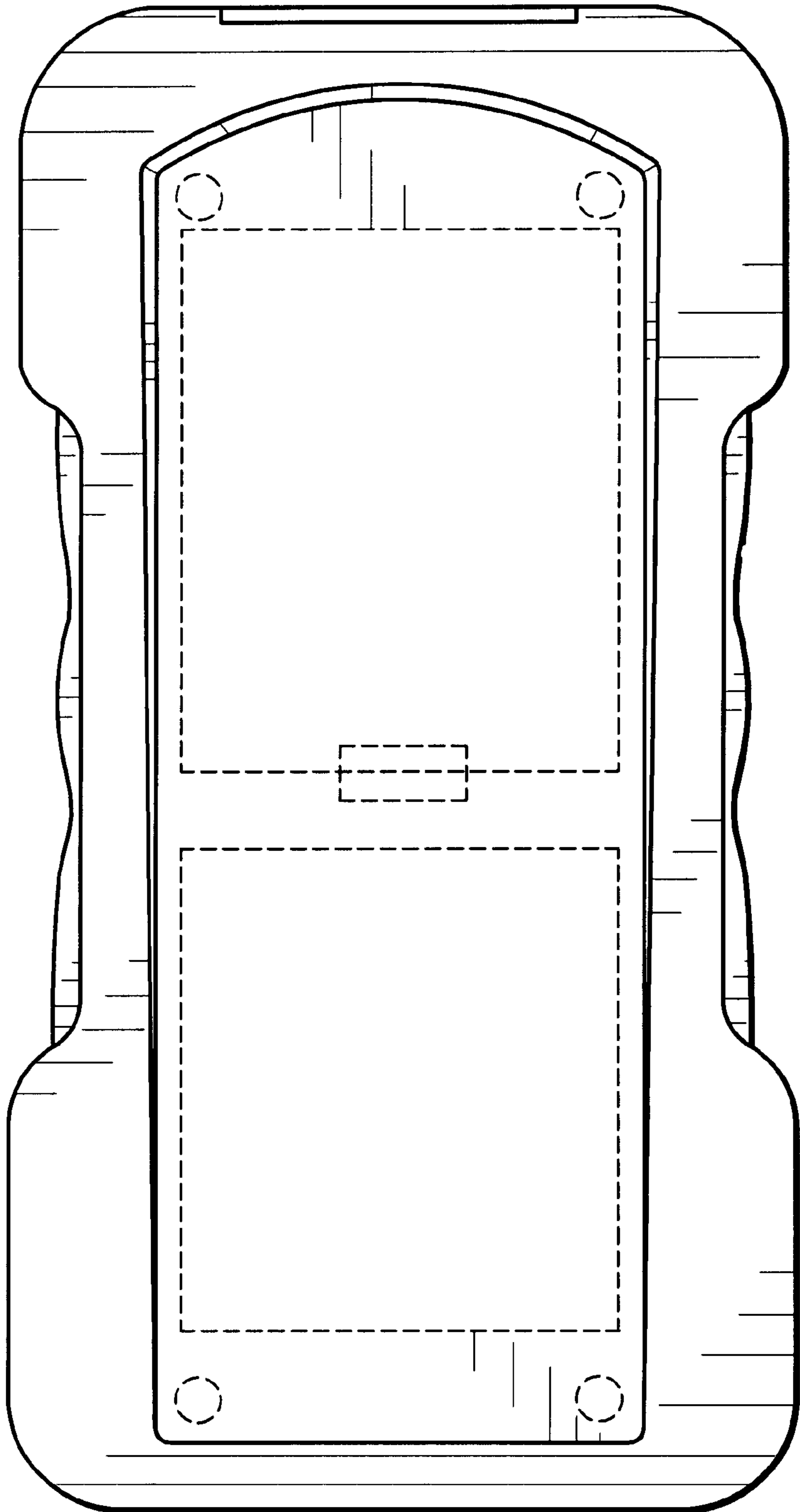


FIG.4

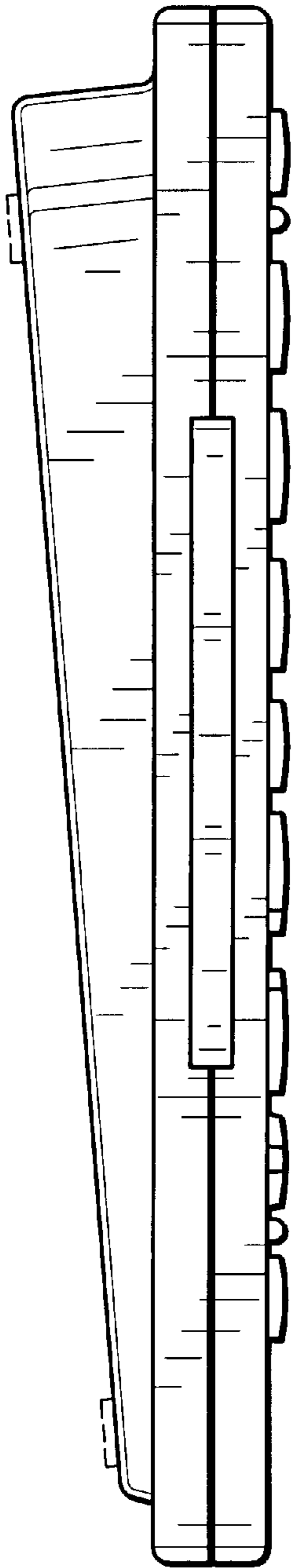


FIG.5

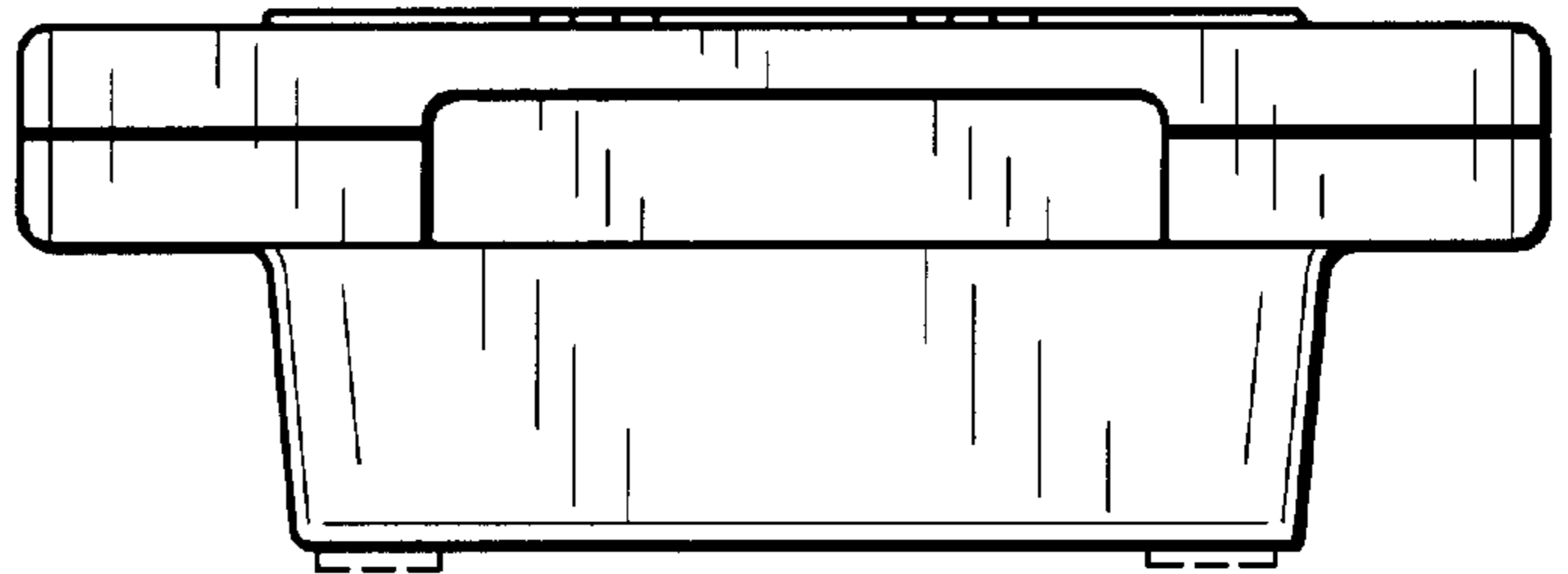


FIG.6

