



US00D467238S

(12) **United States Design Patent**
Hlas et al.

(10) **Patent No.:** **US D467,238 S**
(45) **Date of Patent:** **** Dec. 17, 2002**

(54) **SPEAKER**

(75) Inventors: **Kevin Hlas**, Portland, OR (US);
Dominic Amae, Aloha, OR (US);
Donald Mayette, Vancouver, WA (US);
Raymond Weikel, Camas, WA (US);
Bradley Helm, Tualatin, OR (US);
Alan Smith, Camas, WA (US); **Scott Tomlinson**, Portland, OR (US); **Omer Kotzer**, Portland, OR (US)

(73) Assignee: **Logitech Europe S.A.**,
Romanel-sur-Morges (CH)

(**) Term: **14 Years**

(21) Appl. No.: **29/149,072**

(22) Filed: **Oct. 5, 2001**

(51) **LOC (7) Cl.** **14-01**

(52) **U.S. Cl.** **D14/216**

(58) **Field of Search** D14/204, 207,
D14/209-216; 181/144-145, 147-148,
150, 153, 157, 198-199; 381/300-302,
307, 345, 361-364, 386

(56) **References Cited**

U.S. PATENT DOCUMENTS

D222,072 S * 9/1971 Levitt D14/211

3,905,447 A * 9/1975 Schrecongost 181/153
D319,243 S * 8/1991 Yamakawa D14/215
D430,142 S * 8/2000 Kuo et al. D14/216
D440,557 S * 4/2001 Su D14/215

* cited by examiner

Primary Examiner—Nanda Bondade
(74) *Attorney, Agent, or Firm*—Ipsolon LLP

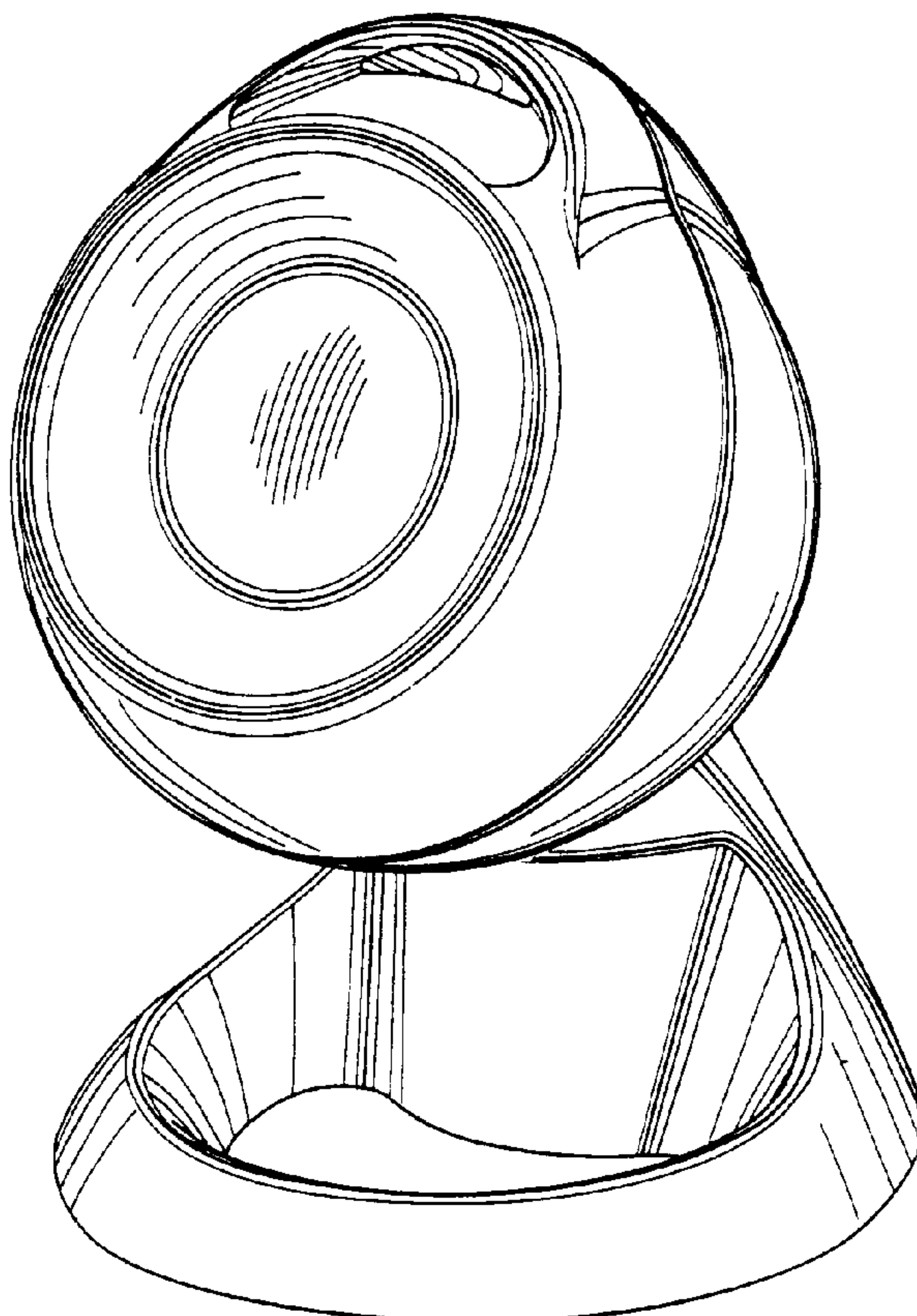
(57) **CLAIM**

The ornamental design for a speaker, as shown and described.

DESCRIPTION

FIG. 1 is a front perspective view of a speaker showing our new design;
FIG. 2 is a front elevation view thereof;
FIG. 3 is a back elevation view thereof;
FIG. 4 is a left side elevational view thereof, the right side elevational view being a mirror image;
FIG. 5 is a top plan view thereof;
FIG. 6 is a bottom plan view thereof; and,
FIG. 7 is a section view taken along line 7—7 of FIG. 2.
The broken lines showing the controls and connectivity ports in FIGS. 3 and 5, the feet in FIGS. 2-4 and 6 and 7, and the internal dimensions in FIG. 7 are for illustrative purpose only and form no part of the claimed design.

1 Claim, 2 Drawing Sheets



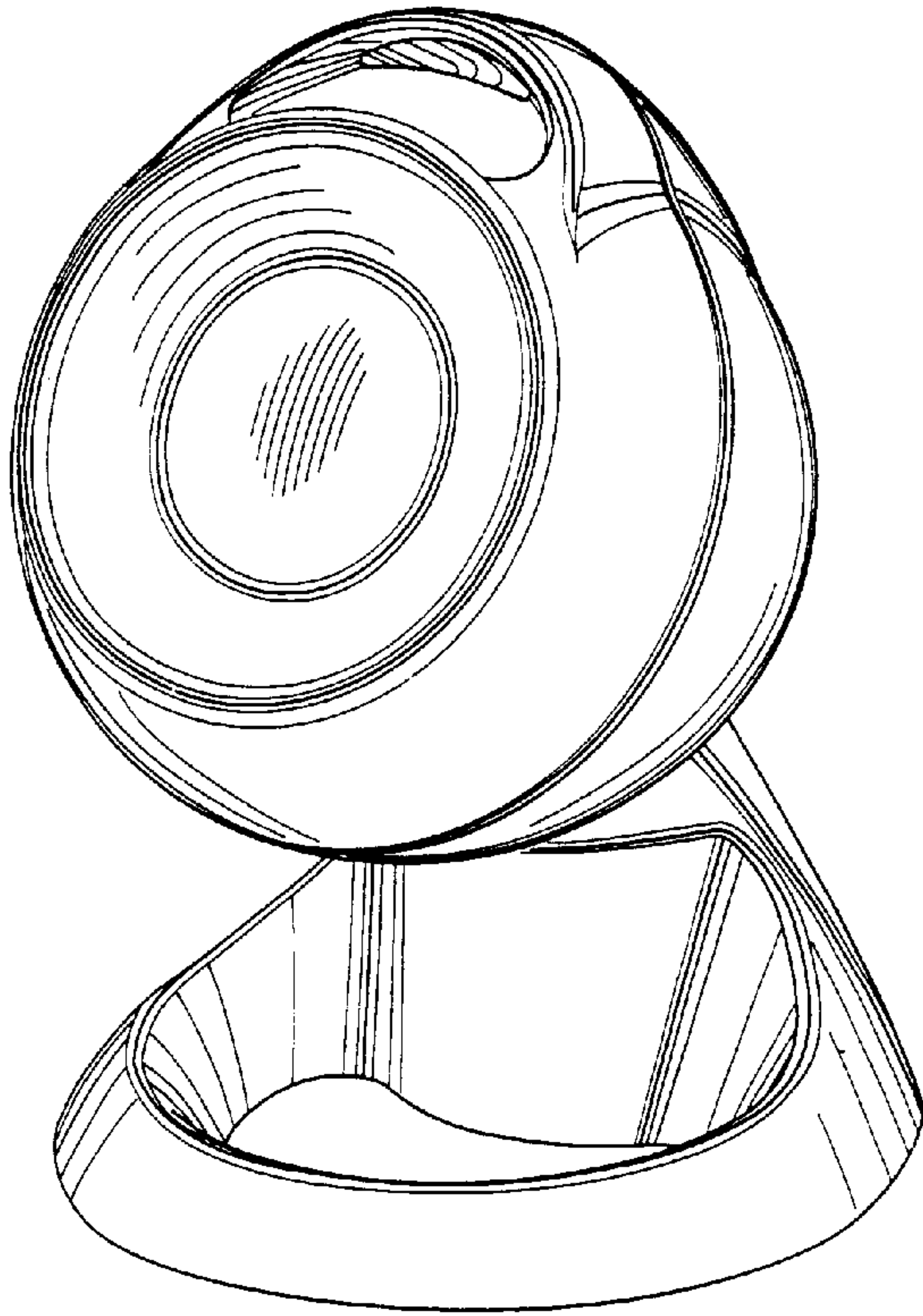


FIG. 1

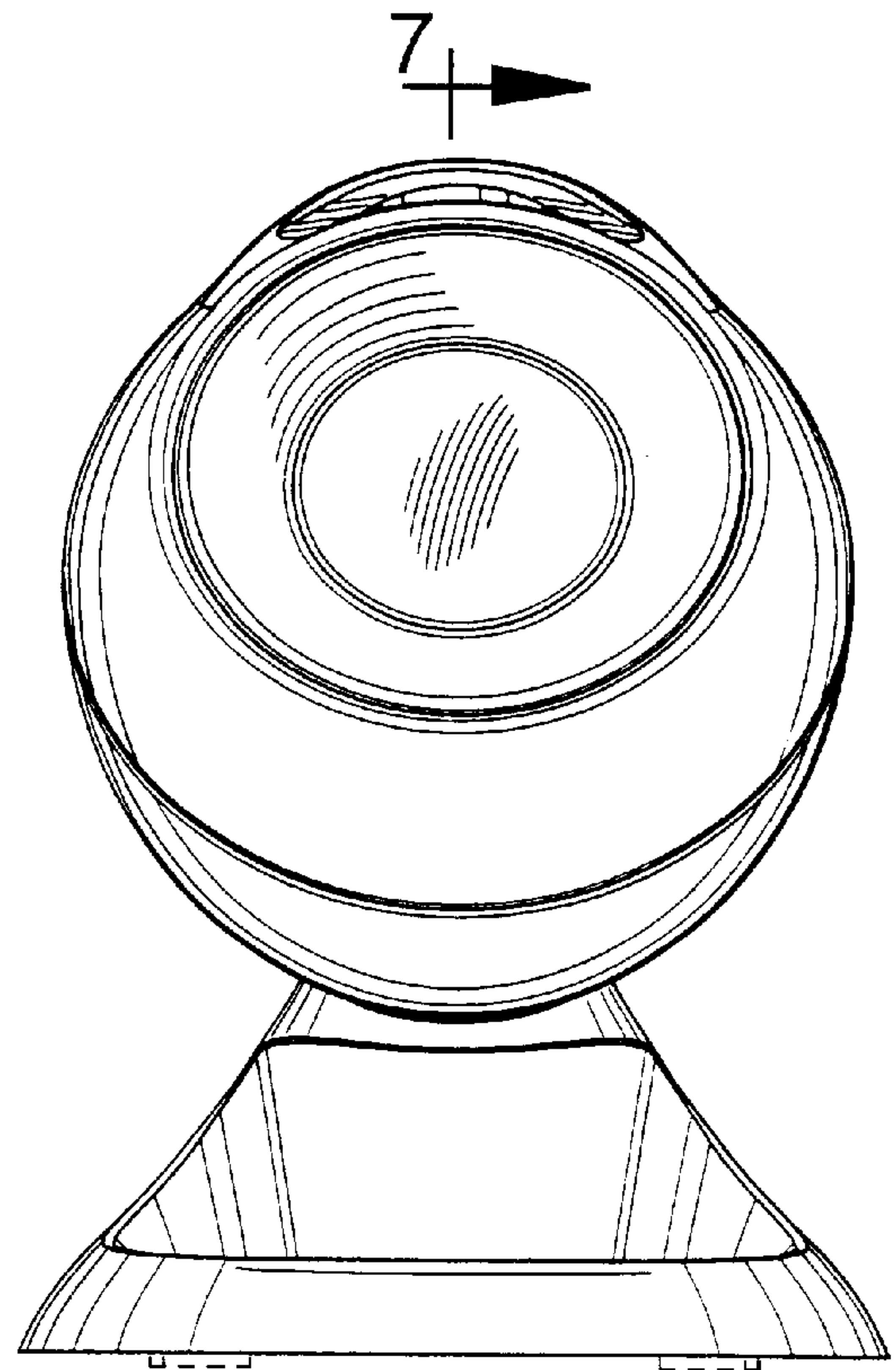


FIG. 2

FIG. 3

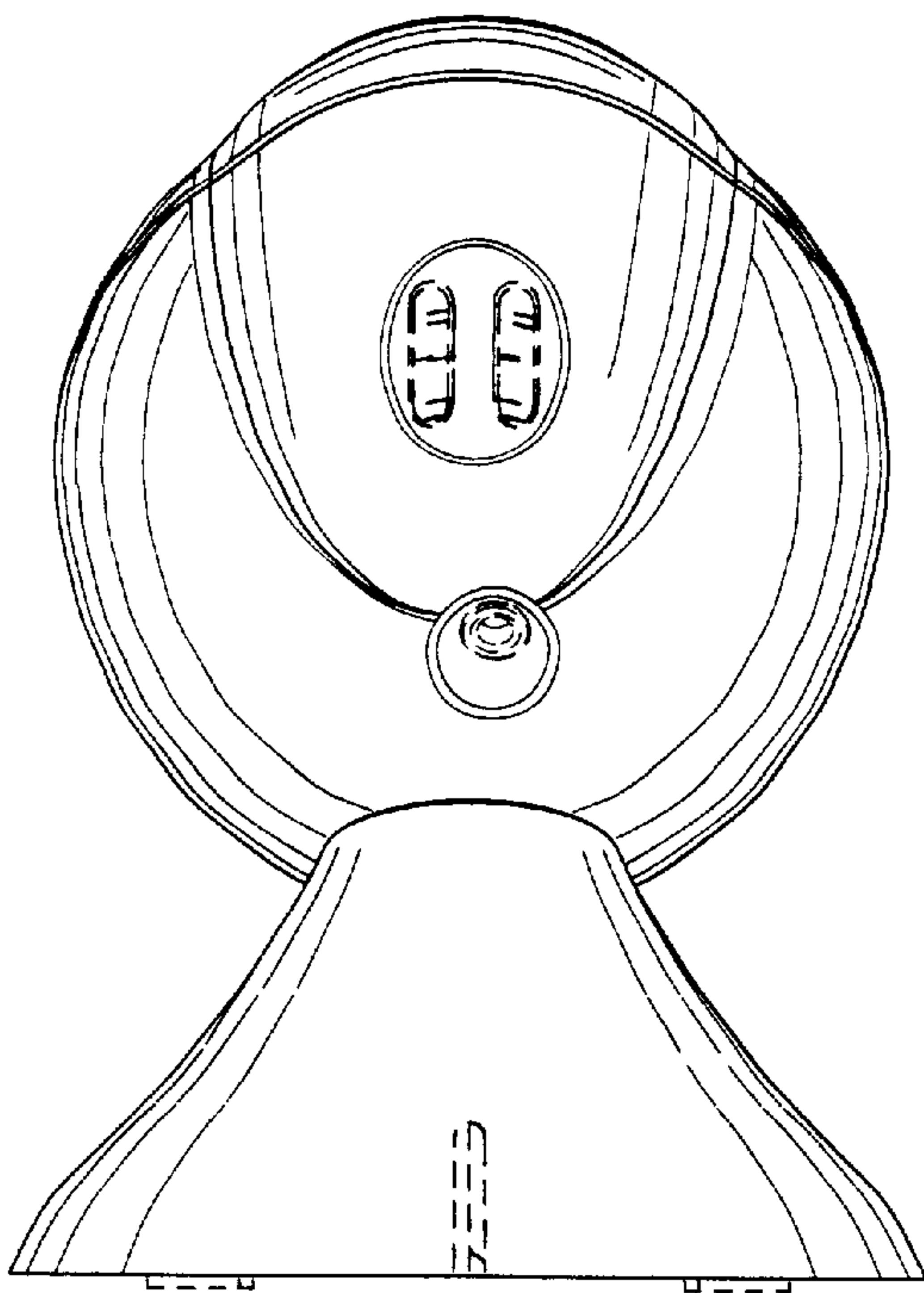
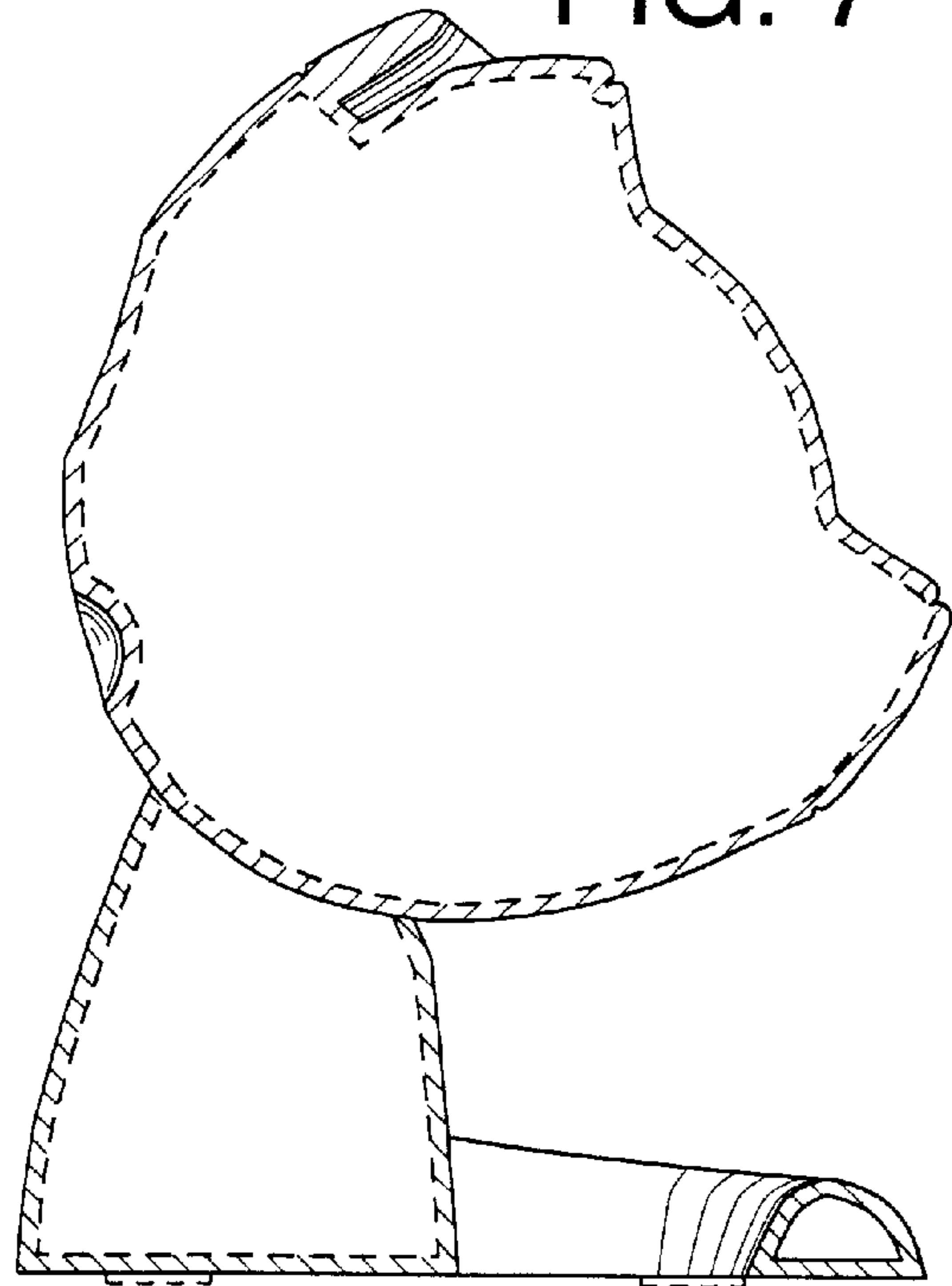


FIG. 7



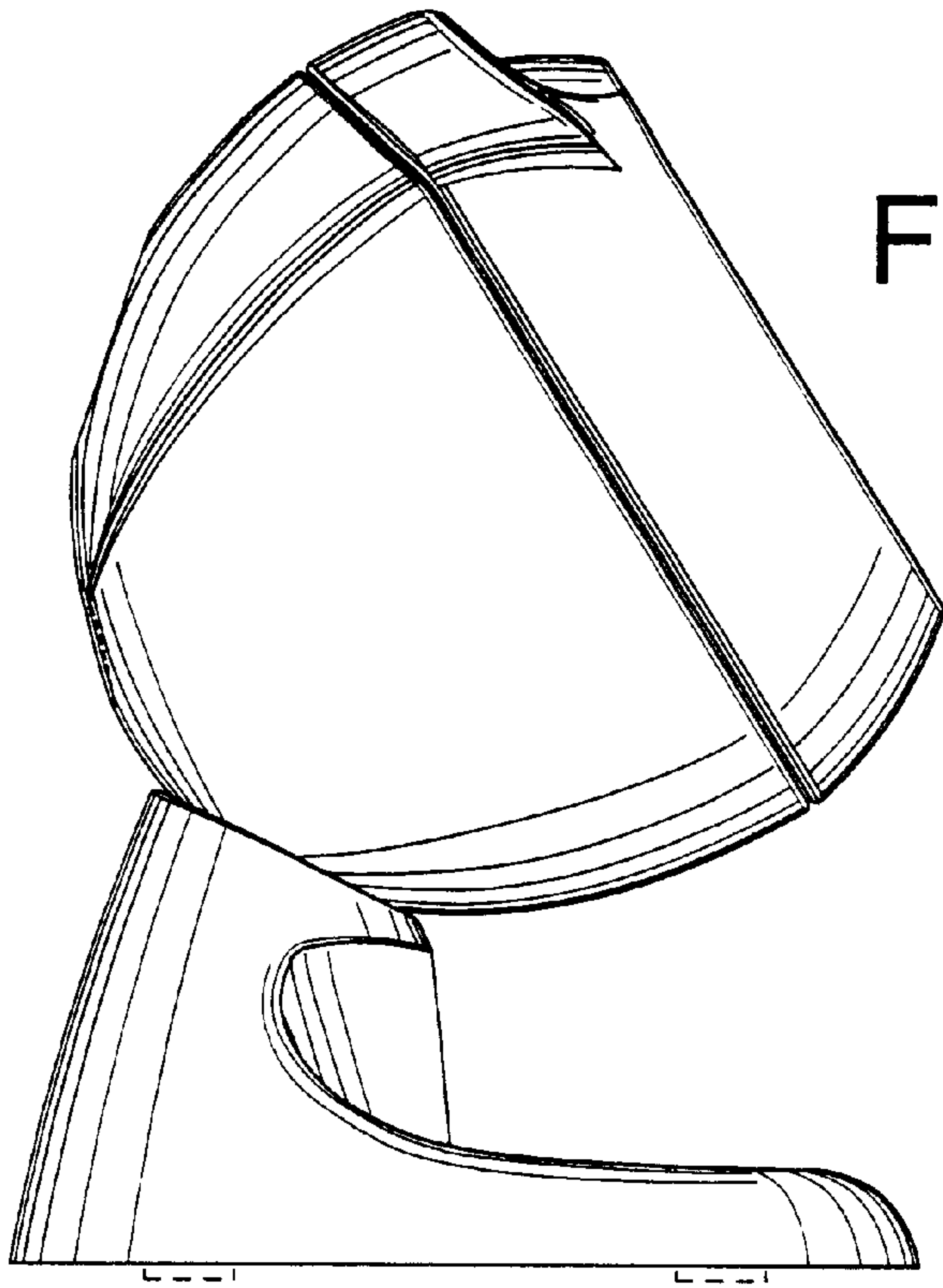


FIG. 4

FIG. 5

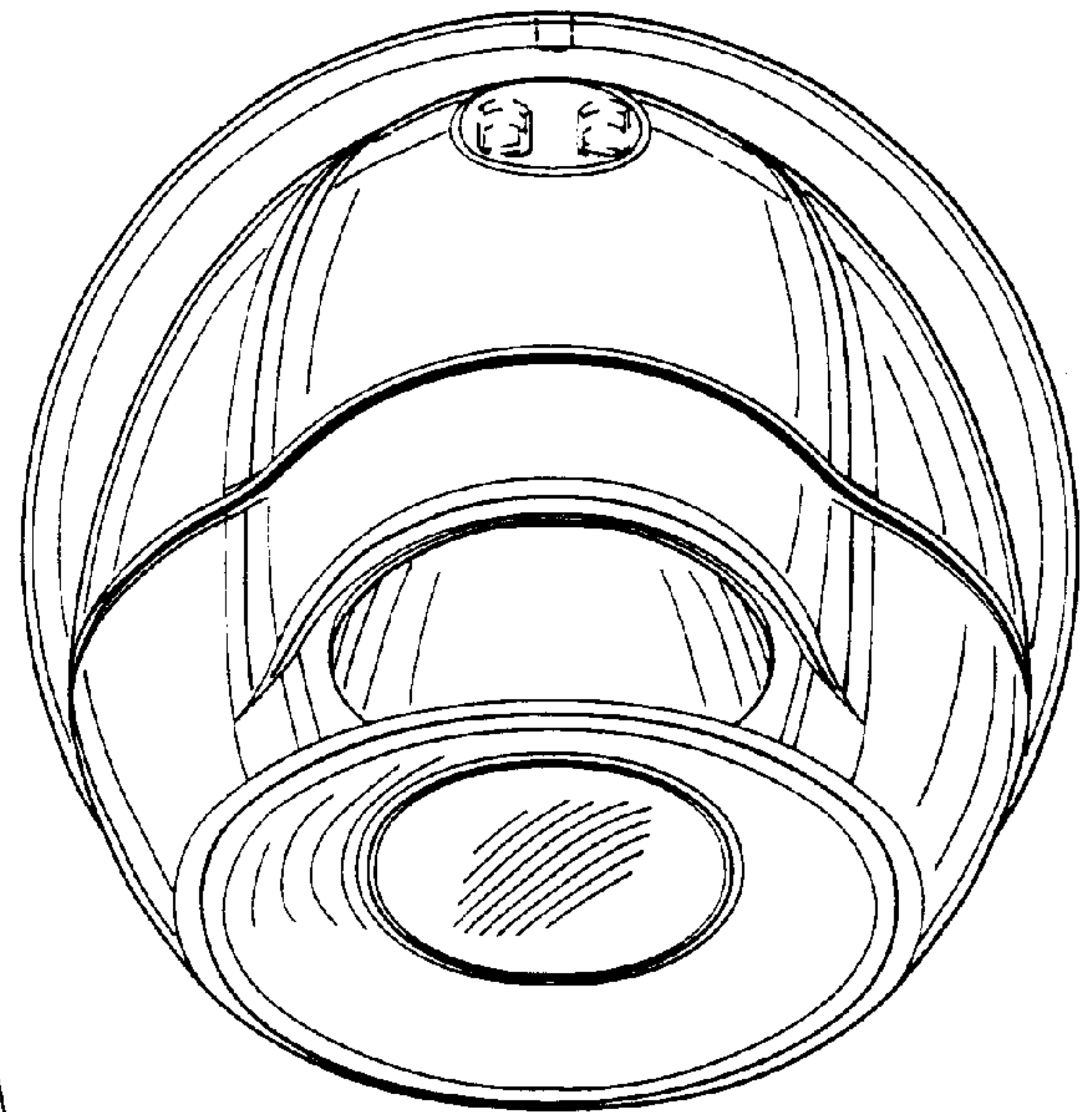


FIG. 6

