



US00D467237S

(12) **United States Design Patent**
Narumi et al.

(10) **Patent No.:** **US D467,237 S**

(45) **Date of Patent:** **** Dec. 17, 2002**

(54) **MICROPHONE RECEIVER**

(75) Inventors: **Tomoyuki Narumi**, Sabae (JP); **Ayako Ishikawa**, Fukui (JP)

(73) Assignee: **Audio-Technica US, Inc.**, Stow, OH (US)

(**) Term: **14 Years**

(21) Appl. No.: **29/143,891**

(22) Filed: **Jun. 21, 2001**

(51) **LOC (7) Cl.** **14-03**

(52) **U.S. Cl.** **D14/188; D14/217**

(58) **Field of Search** D14/155, 172, D14/188, 217, 225-229, 265, 299, 193-198; 181/158, 242; 381/180, 370, 376-381

(56) **References Cited**

U.S. PATENT DOCUMENTS

2,224,974 A * 12/1940 Lybarger 381/180

D212,362 S * 10/1968 Noyes D14/225

D256,016 S * 7/1980 Iwata D14/155

D417,871 S * 12/1999 Hisatsune D14/188

D432,520 S * 10/2000 Chiu D14/188

* cited by examiner

Primary Examiner—Nanda Bondade

(57) **CLAIM**

The ornamental design for a microphone receiver, as shown and described.

DESCRIPTION

FIG. 1 is a perspective view of the microphone receiver showing our new design;

FIG. 2 is a front elevational view thereof;

FIG. 3 is a rear elevational view thereof;

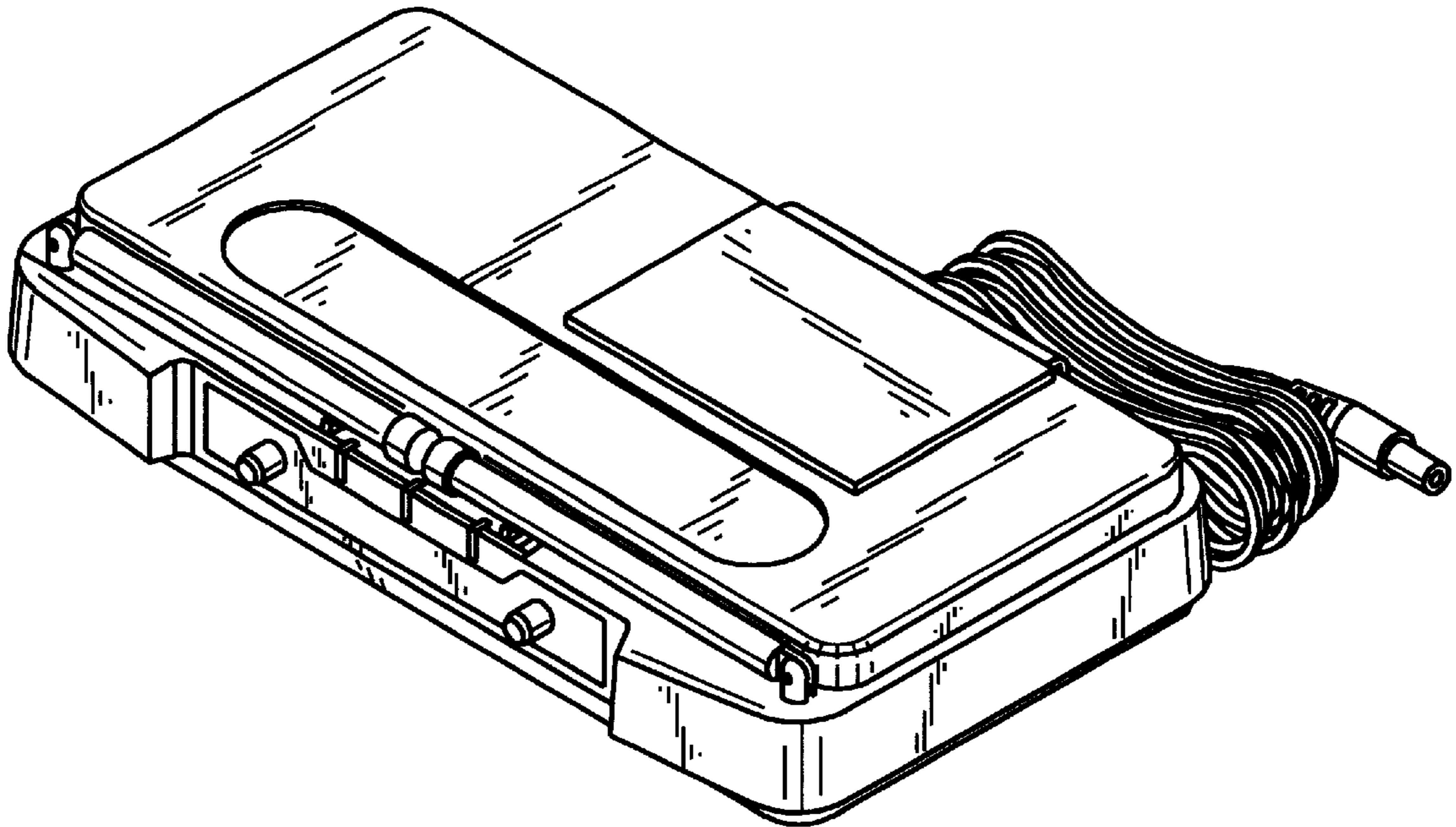
FIG. 4 is a left side elevational view thereof;

FIG. 5 is a right side elevational view thereof;

FIG. 6 is a top plan view thereof; and,

FIG. 7 is a bottom plan view thereof.

1 Claim, 3 Drawing Sheets



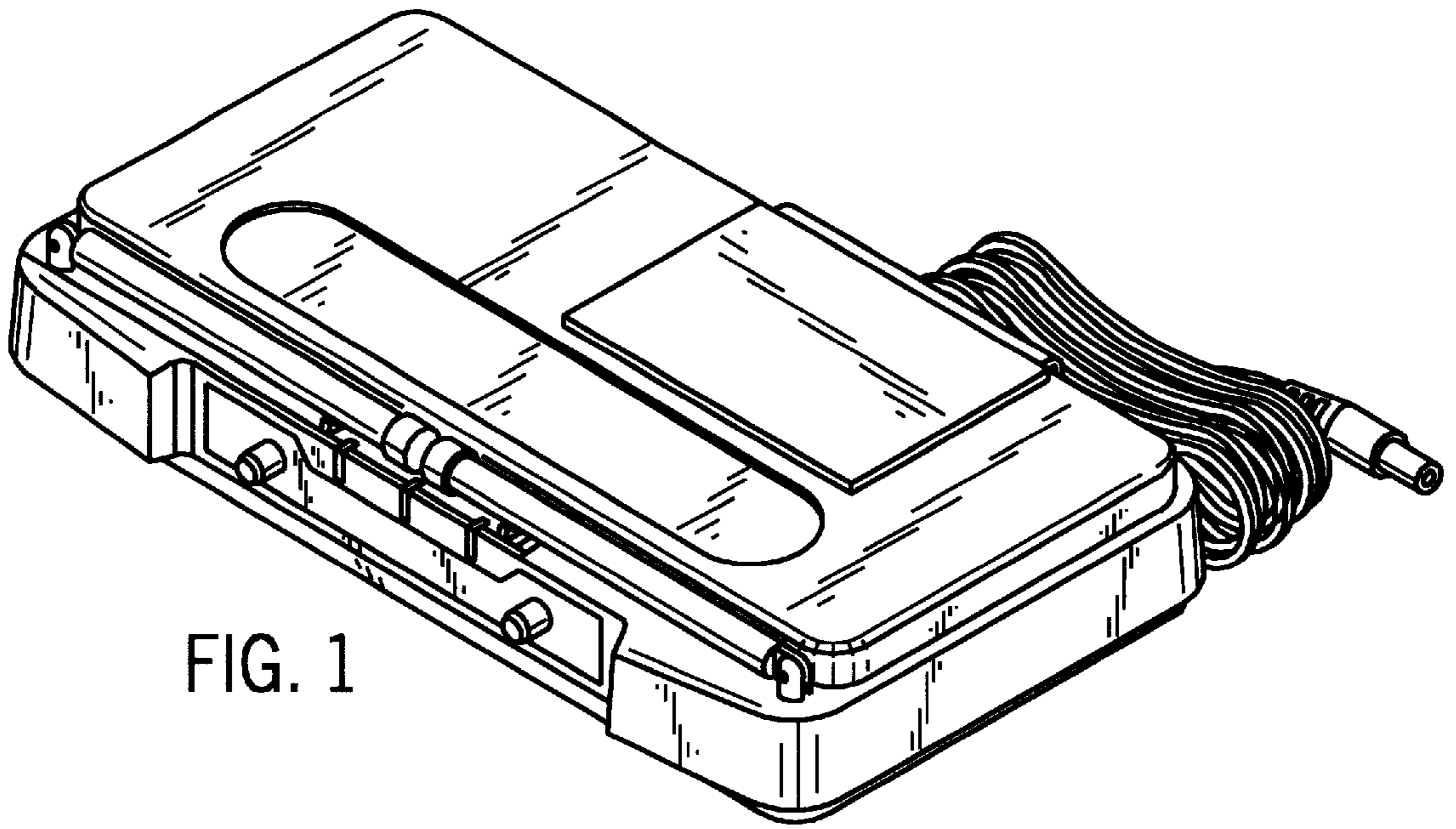


FIG. 1

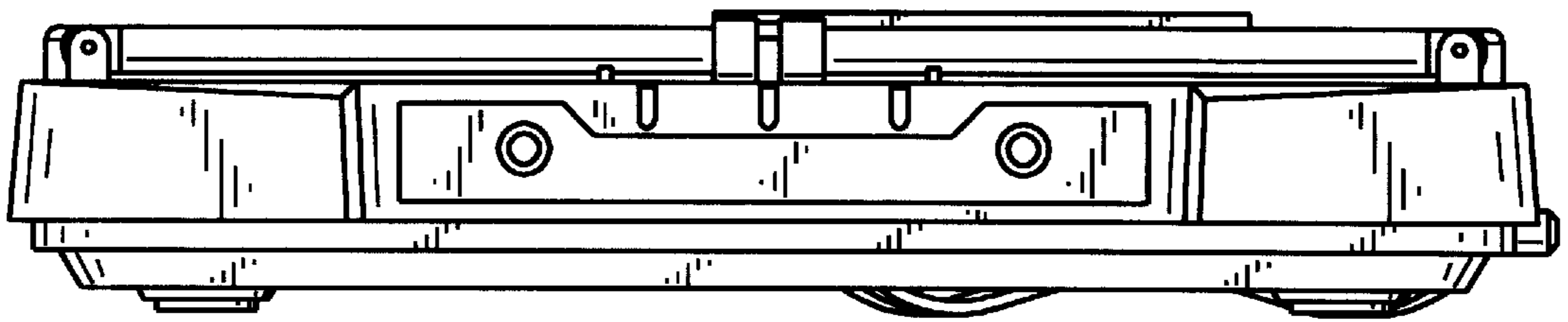


FIG. 2

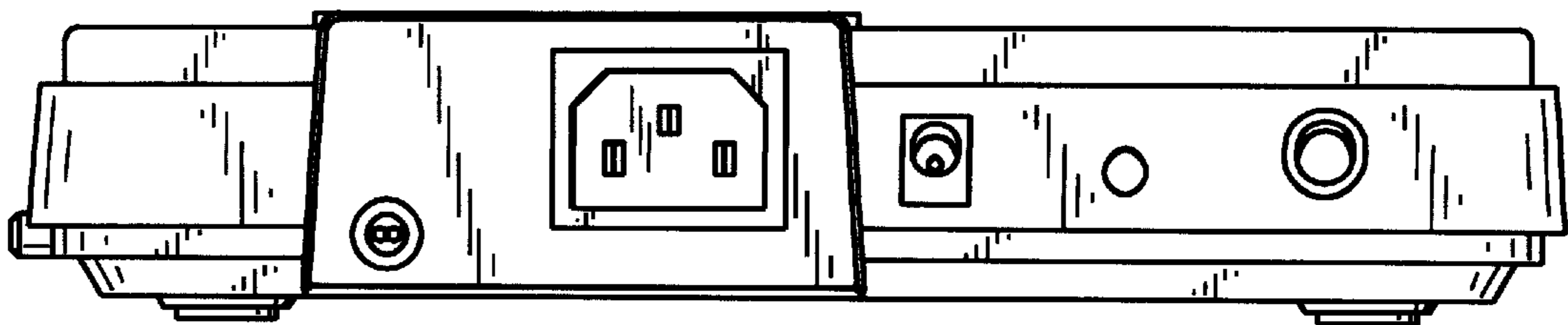


FIG. 3

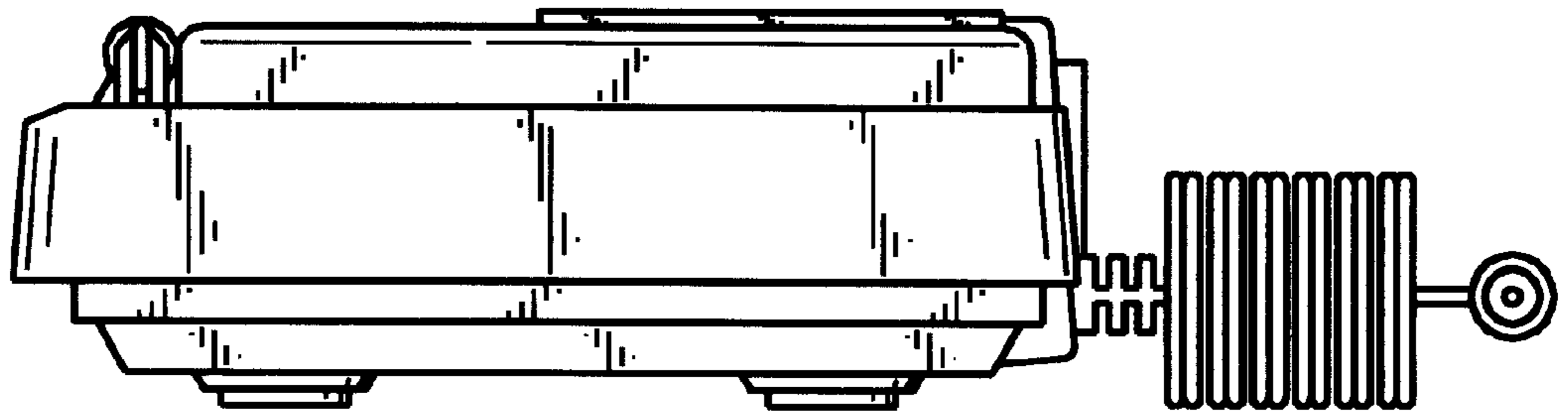


FIG. 4

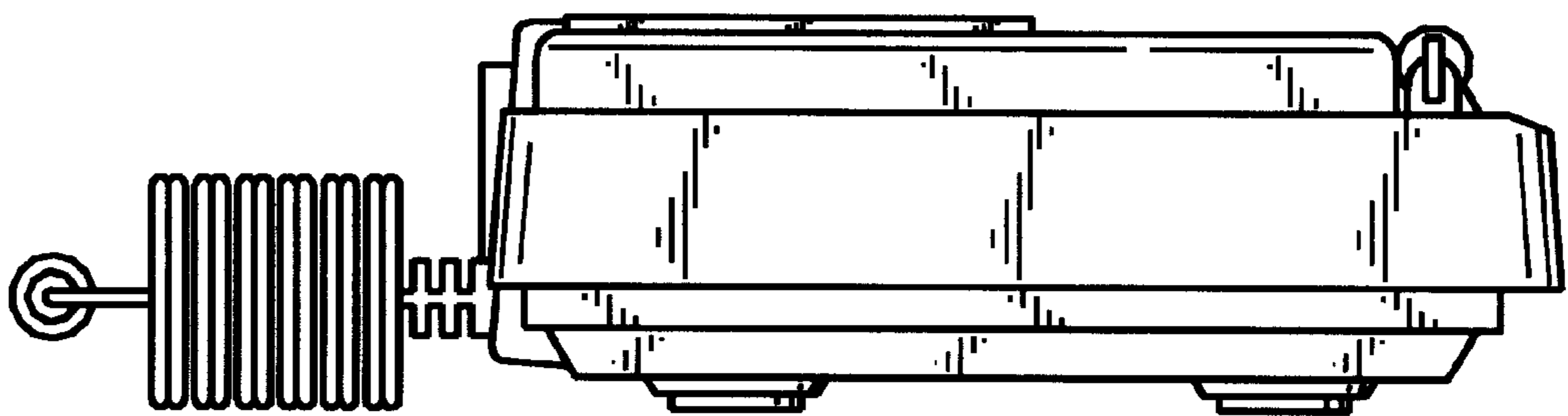


FIG. 5

FIG. 6

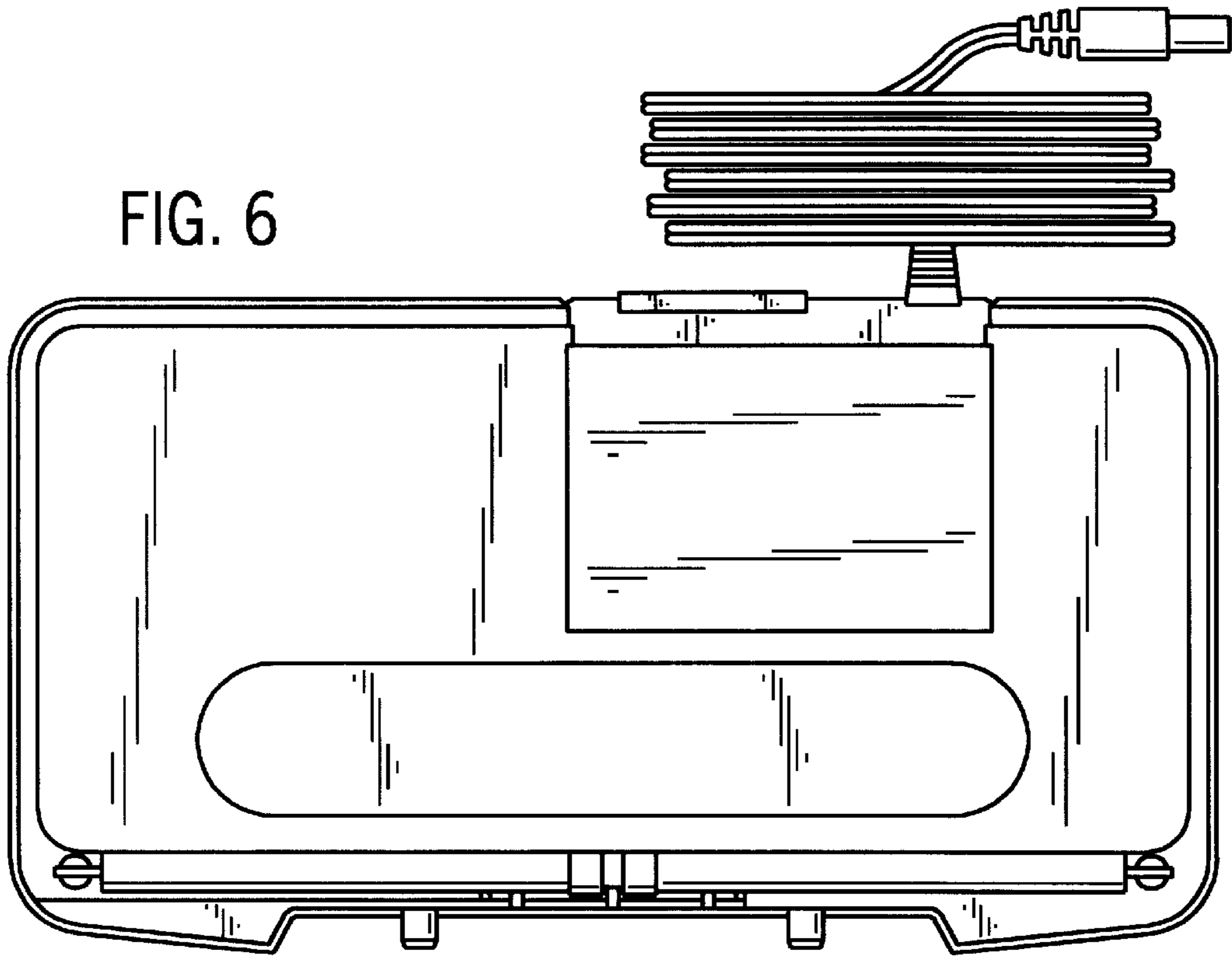


FIG. 7

