



US00D467232S

(12) **United States Design Patent**  
**Bong et al.**

(10) **Patent No.:** **US D467,232 S**

(45) **Date of Patent:** **\*\* Dec. 17, 2002**

(54) **TELEVISION RECEIVER**

(75) Inventors: **Tae G. Bong**, Kyunggi-do (KR); **Young M. Cho**, Gwanju (KR); **Sun W. Park**, Seoul (KR)

(73) Assignee: **UPD Corporation**, Kyunggi-do (KR)

(\*\*) Term: **14 Years**

(21) Appl. No.: **29/146,217**

(22) Filed: **Aug. 6, 2001**

(30) **Foreign Application Priority Data**

Jul. 19, 2001 (KR) ..... 01-19902

(51) **LOC (7) Cl.** ..... **14-03**

(52) **U.S. Cl.** ..... **D14/126**

(58) **Field of Search** ..... D14/125-136,  
D14/239, 371, 374-376; 312/7.2; 348/836,  
838, 180, 184, 325, 739; 341/12; 248/917-924;  
345/104, 133, 156, 168, 87, 173

(56) **References Cited**

**U.S. PATENT DOCUMENTS**

D453,504 S \* 2/2002 Bong et al. .... D14/126

D458,236 S \* 6/2002 Bong et al. .... D14/126

D458,237 S \* 6/2002 Niitsu ..... D14/126

D458,238 S \* 6/2002 Niitsu ..... D14/126

\* cited by examiner

*Primary Examiner*—Raphael Barkai

(74) *Attorney, Agent, or Firm*—Fulbright & Jaworski L.L.P.

(57) **CLAIM**

The ornamental design for a television receiver, as shown and described.

**DESCRIPTION**

FIG. 1 is a perspective view of the television receiver in assembled state of the present invention;

FIG. 2 is a front elevational view thereof;

FIG. 3 is a rear elevational view thereof;

FIG. 4 is a left side elevational view thereof;

FIG. 5 is a top plan view thereof; and,

FIG. 6 is a bottom plan view thereof.

**1 Claim, 4 Drawing Sheets**

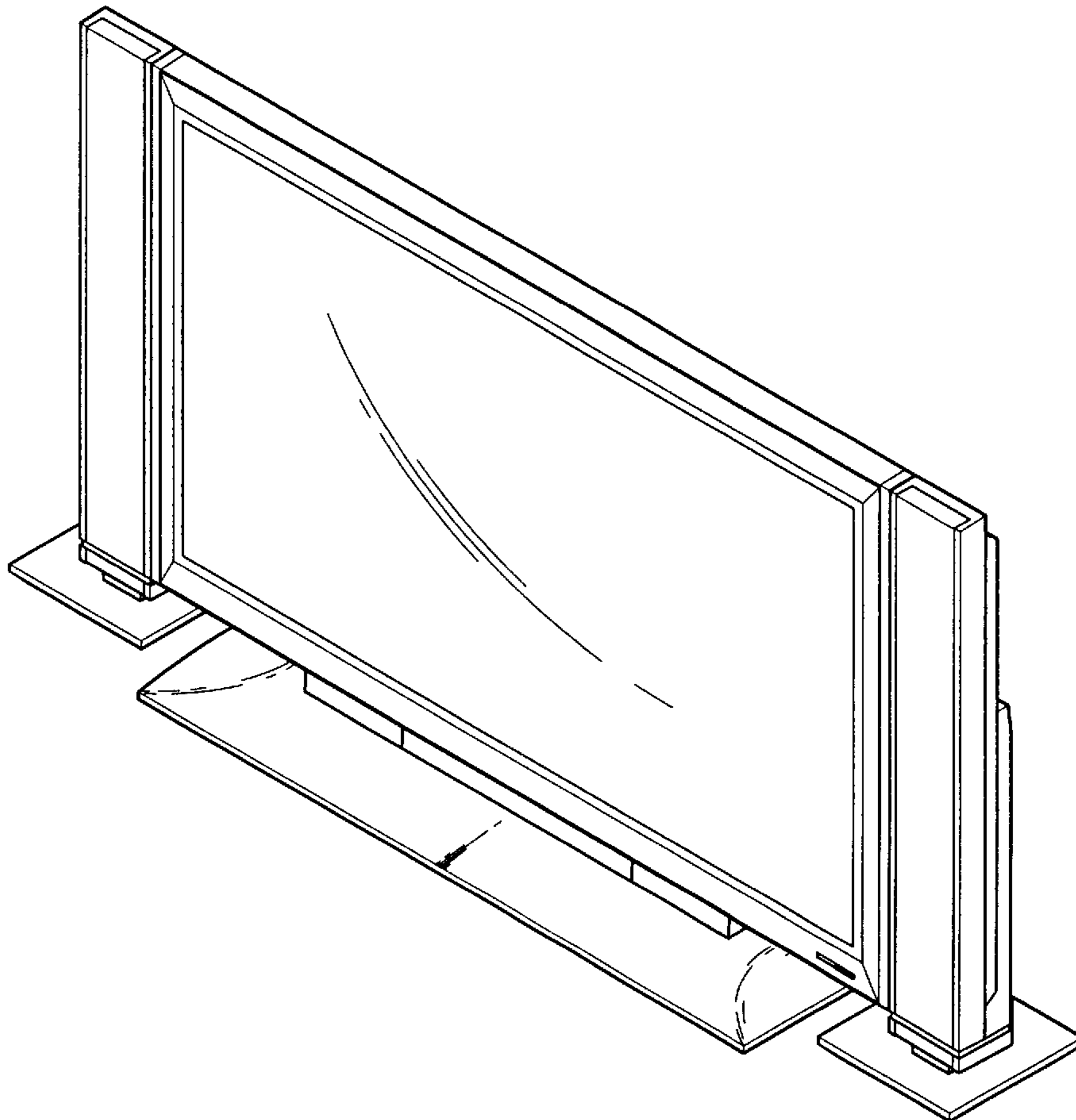


FIG. 1

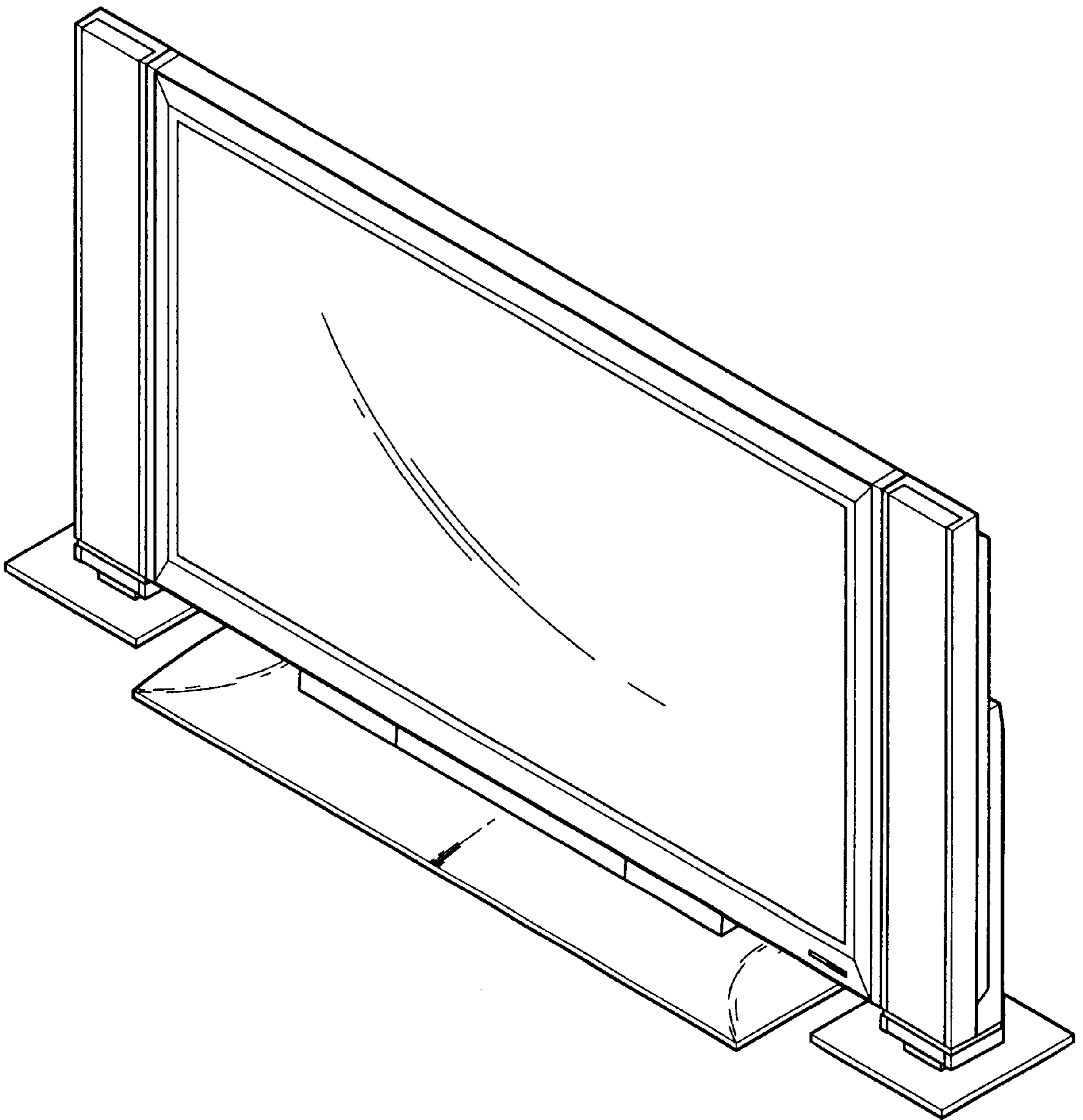


FIG. 2

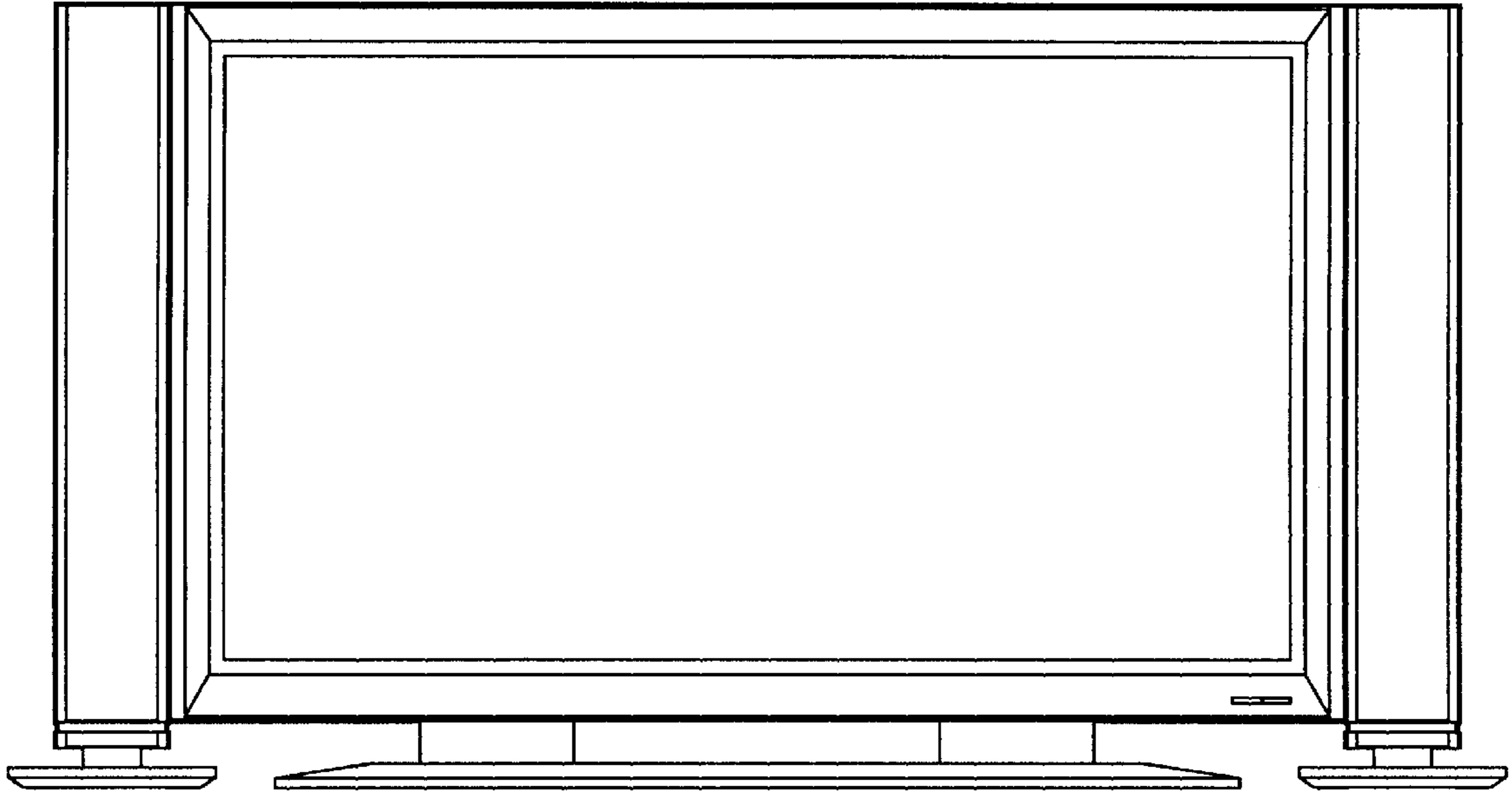


FIG. 3

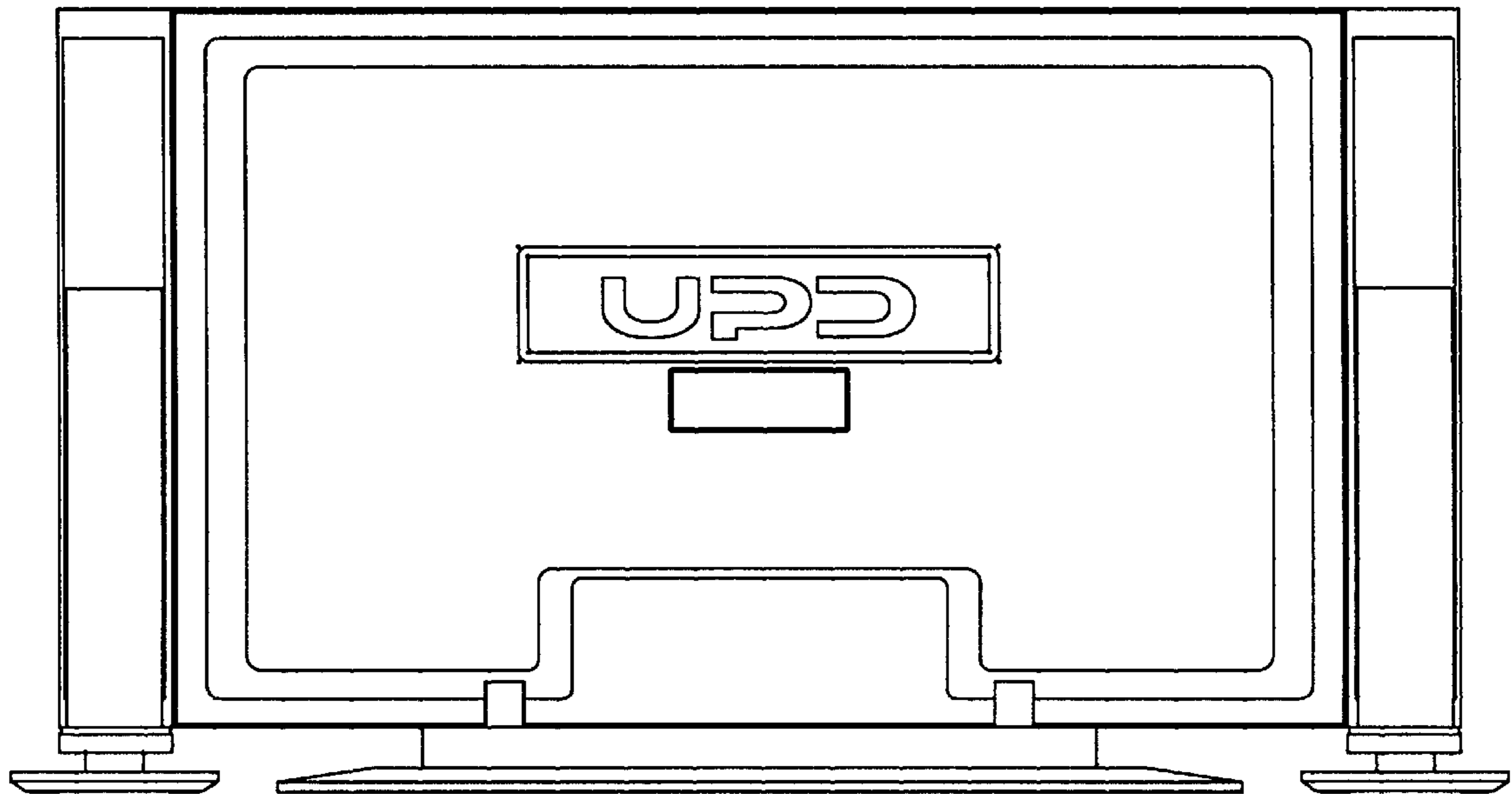


FIG. 4

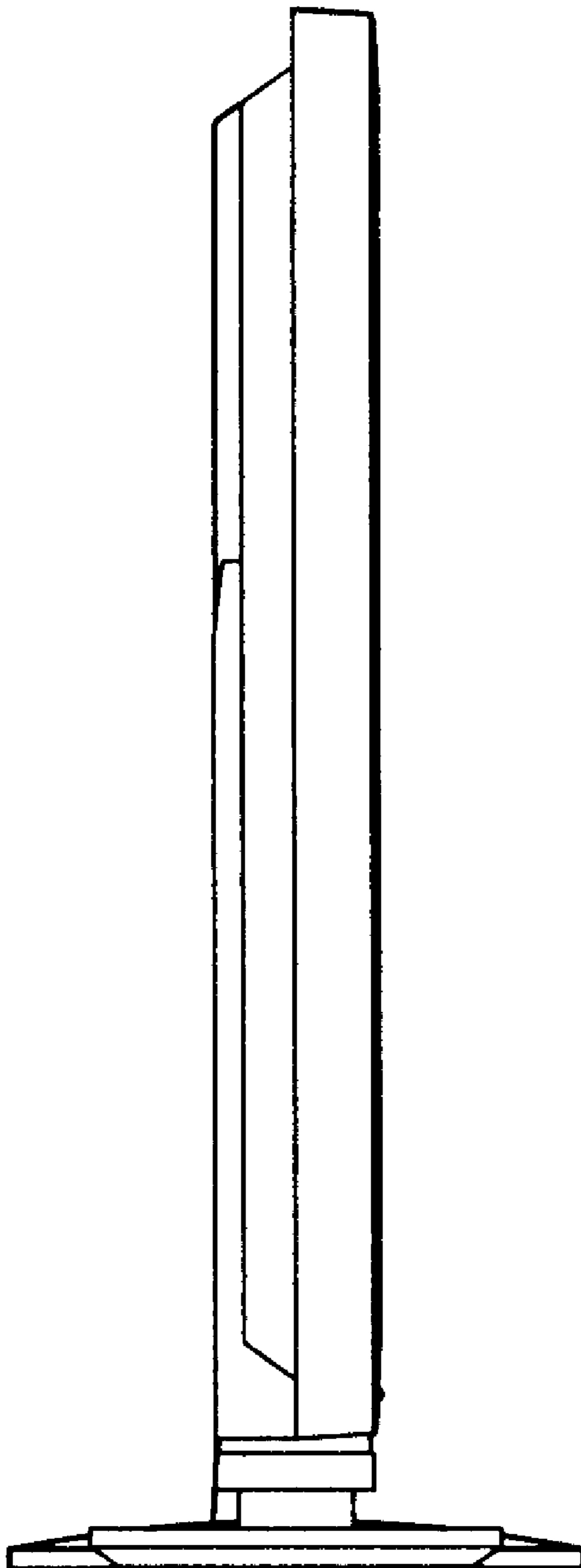


FIG. 5

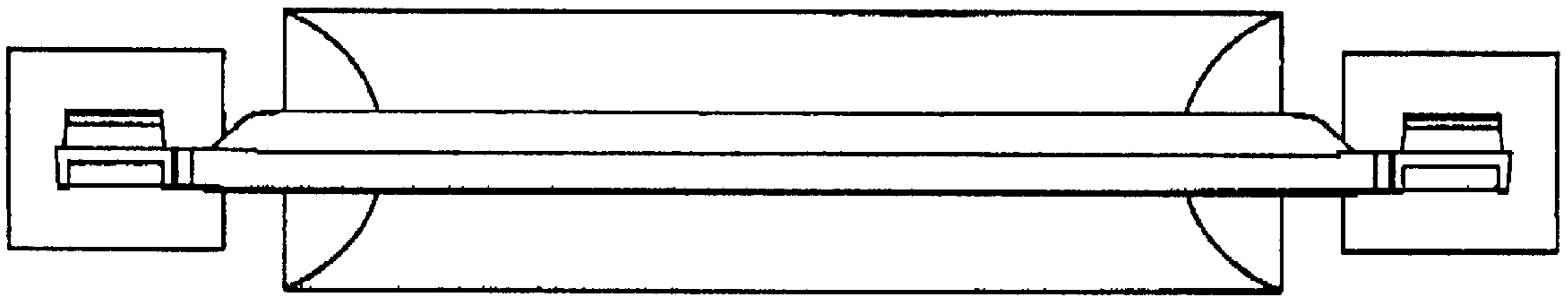


FIG. 6

