



US00D467230S

(12) **United States Design Patent**  
**Byrne**

(10) **Patent No.:** **US D467,230 S**

(45) **Date of Patent:** **\*\* Dec. 17, 2002**

- (54) **DOUBLE-SIDED POWER AND DATA CENTER HOUSING**
- (76) Inventor: **Norman R. Byrne**, 2736 Honey Creek, NE., Ada, MI (US) 49301
- (\*\*) Term: **14 Years**
- (21) Appl. No.: **29/150,406**
- (22) Filed: **Oct. 22, 2001**
- (51) **LOC (7) Cl.** ..... **13-03**
- (52) **U.S. Cl.** ..... **D13/156**
- (58) **Field of Search** ..... D13/139.1-139.8, D13/154-155, 173, 184; 174/48, 49, 53, 66, 67; 361/42, 641, 658; 439/131, 135, 136, 137, 140, 141, 142, 521, 528, 535, 536; 638/650, 651, 652, 692-695, 736

- 5,197,941 A \* 3/1993 Whitaker ..... 600/27
- 5,230,552 A 7/1993 Schipper et al.
- 5,231,562 A 7/1993 Pierce et al.
- 5,351,173 A 9/1994 Byrne
- D353,363 S 12/1994 Toby
- D355,890 S 2/1995 Lentz
- D367,038 S \* 2/1996 Fladung et al. .... D13/137.2
- D370,622 S 6/1996 Byrne
- D372,018 S 7/1996 Byrne
- 5,575,668 A 11/1996 Timmerman
- 5,705,772 A 1/1998 Brown
- 5,709,156 A 1/1998 Gevaert et al.
- D392,254 S 3/1998 Gevaert
- D405,763 S \* 2/1999 Crane et al. .... D13/139.4
- D407,374 S \* 3/1999 Byrne ..... D13/139.4
- D408,011 S \* 4/1999 Joss ..... D13/137.2
- 6,017,228 A \* 1/2000 Verbeek et al. .... 439/142
- D437,827 S \* 2/2001 Gershfeld ..... D13/139.4
- D449,819 S \* 10/2001 Gershfeld ..... D13/139.4

\* cited by examiner

(56) **References Cited**  
**U.S. PATENT DOCUMENTS**

- 676,622 A 6/1901 Gochnauer
- 2,811,574 A 10/1957 Guerrero
- 2,861,857 A 11/1958 Lee et al.
- 3,131,512 A 5/1964 MacLeod, Jr.
- 3,353,137 A 11/1967 Miller
- 3,433,886 A 3/1969 Mvers
- 3,622,684 A 11/1971 Press
- 3,646,244 A 2/1972 Cole
- 3,794,956 A 2/1974 Dubreuil
- 3,892,095 A 7/1975 Vankuik et al.
- 3,972,579 A 8/1976 Kohaut
- 3,992,070 A 11/1976 Dunn et al.
- 4,059,321 A 11/1977 Rasmussen et al.
- 4,272,643 A 6/1981 Carroll et al.
- 4,372,629 A 2/1983 Propst et al.
- 4,511,198 A 4/1985 Mitchell et al.
- 4,551,577 A 11/1985 Byrne
- 4,747,788 A 5/1988 Byrne
- 4,792,881 A 12/1988 Wilson et al.
- 4,828,513 A 5/1989 Morrison et al.
- 4,984,982 A 1/1991 Brownlie et al.
- 5,023,396 A 6/1991 Bartee et al.
- 5,114,365 A 5/1992 Thompson et al.
- 5,122,069 A 6/1992 Brownlie et al.

*Primary Examiner*—Robert M. Spear  
(74) *Attorney, Agent, or Firm*—Varnum, Riddering, Schmidt & Howlett LLP

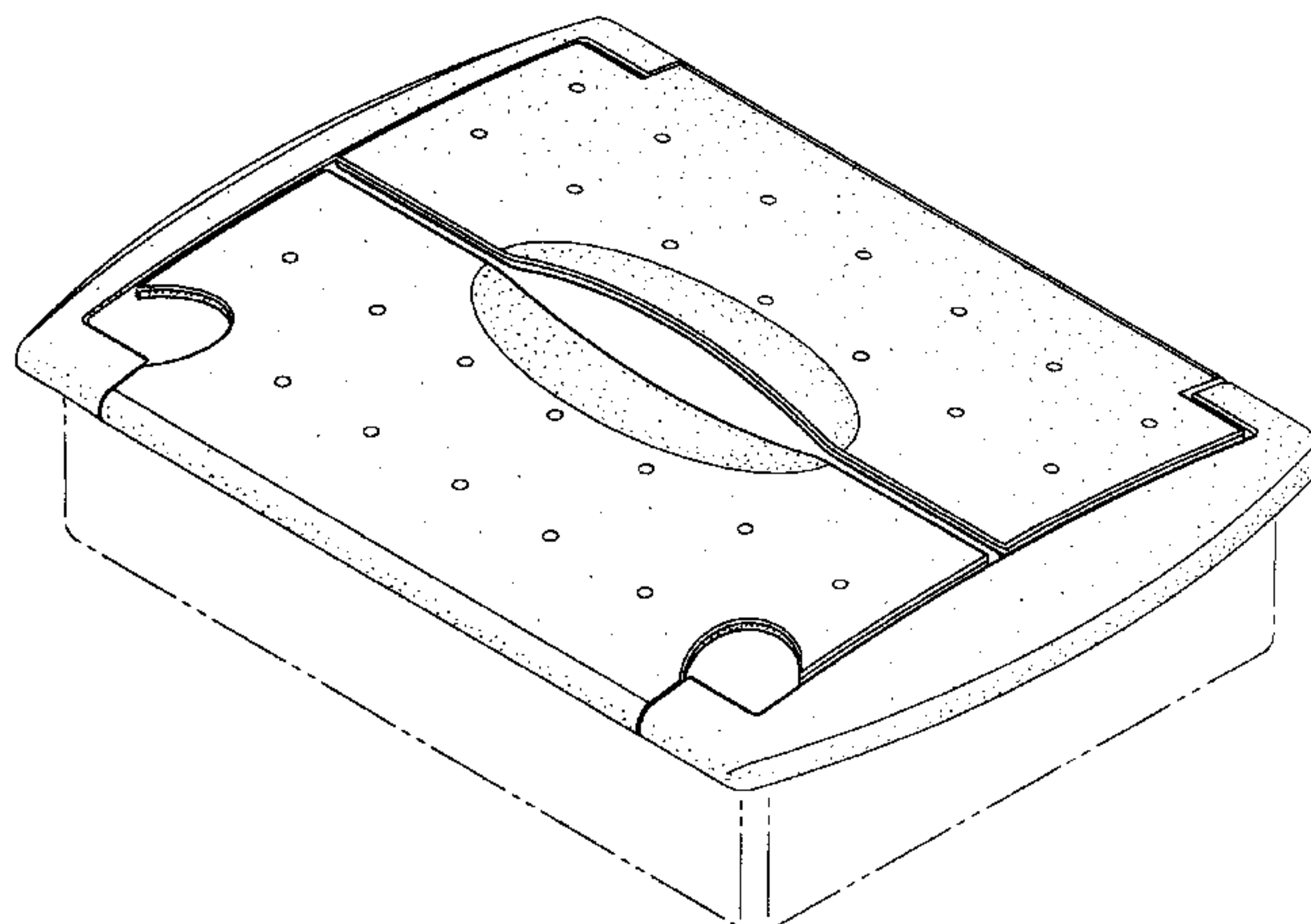
(57) **CLAIM**

I claim, the ornamental design for double-sided power and data center housing, as shown and described.

**DESCRIPTION**

FIG. 1 is a perspective view of a double-sided power and data center housing according to my design, and showing the covers of my design in a closed position;  
 FIG. 2 is a top plan view thereof;  
 FIG. 3 is a front elevational view thereof;  
 FIG. 4 is a left side elevational view thereof;  
 FIG. 5 is a perspective view of my design in the same orientation as in FIG. 1, with the covers in an open position; and,  
 FIG. 6 is a left side elevational view of my design, with the covers in an open position as in FIG. 5.  
 The broken lines in the drawings depict environmental structure, which forms no part of the claimed design.

**1 Claim, 4 Drawing Sheets**



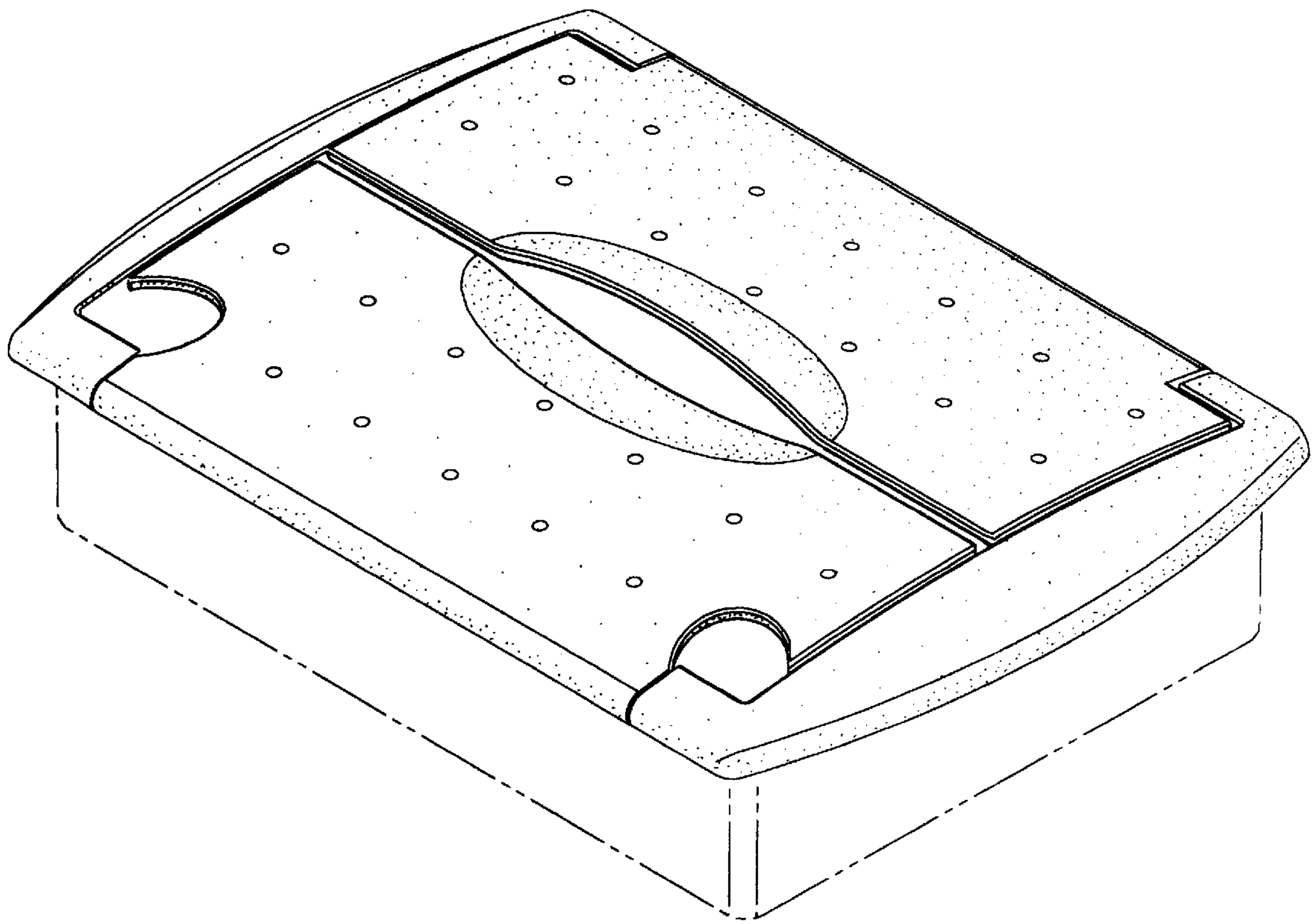


Fig. 1

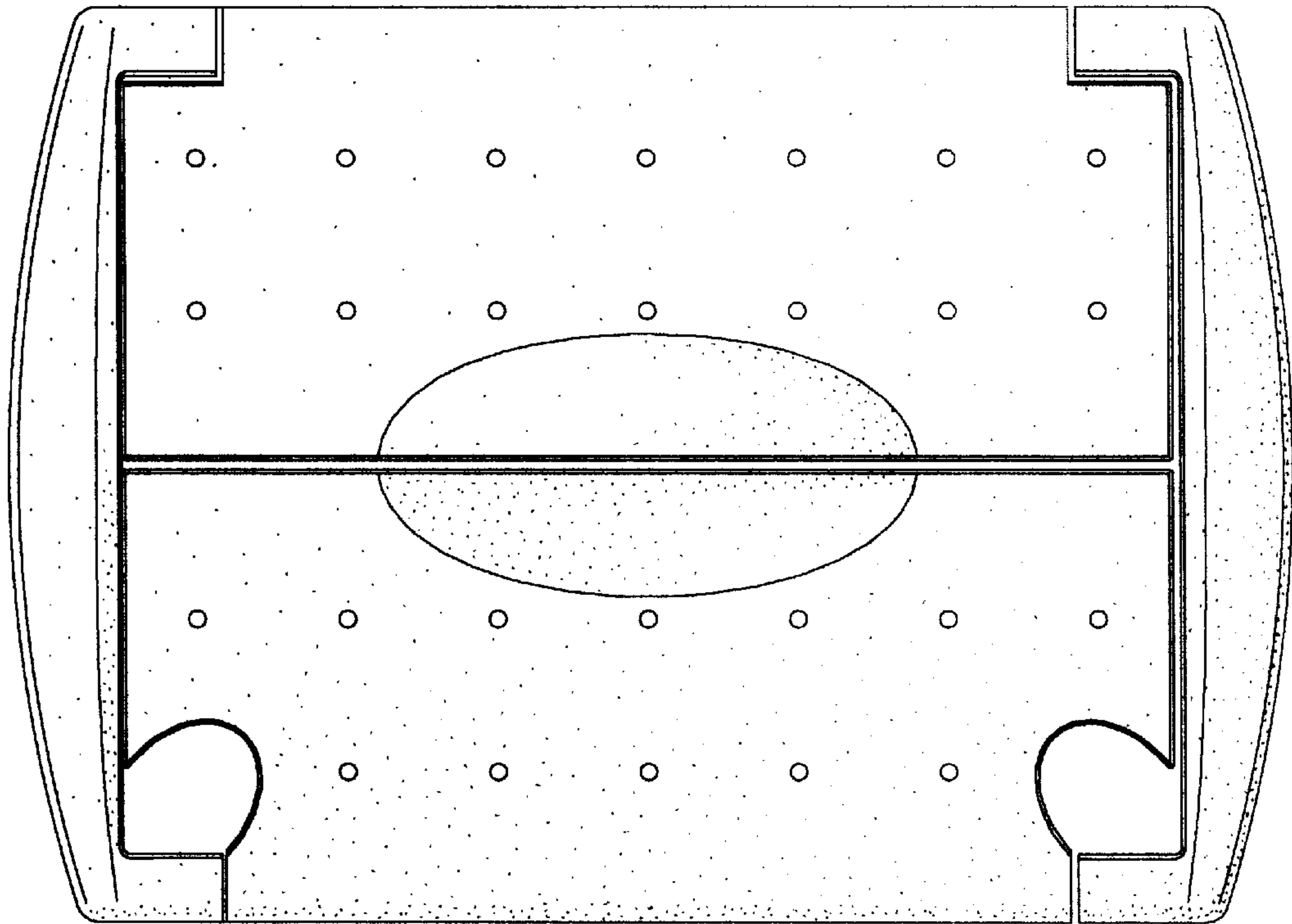


Fig. 2

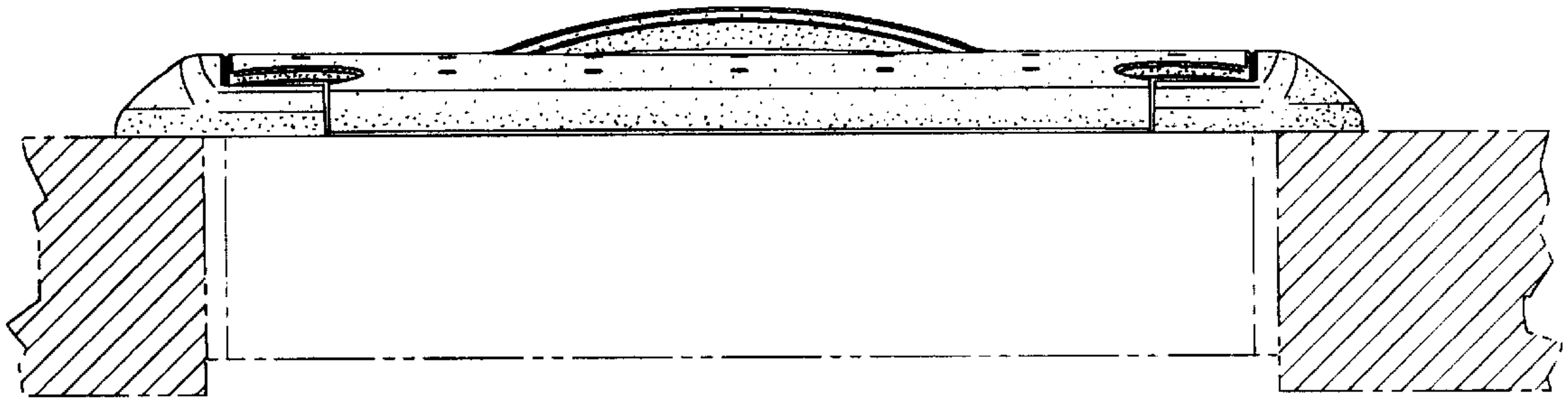


Fig. 3

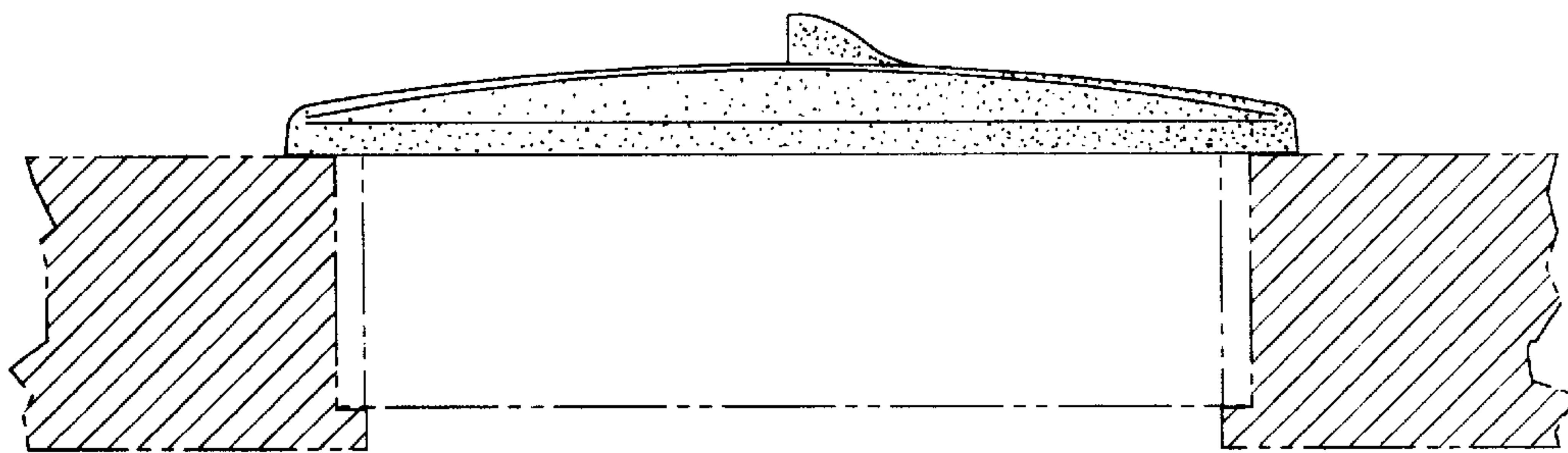


Fig. 4



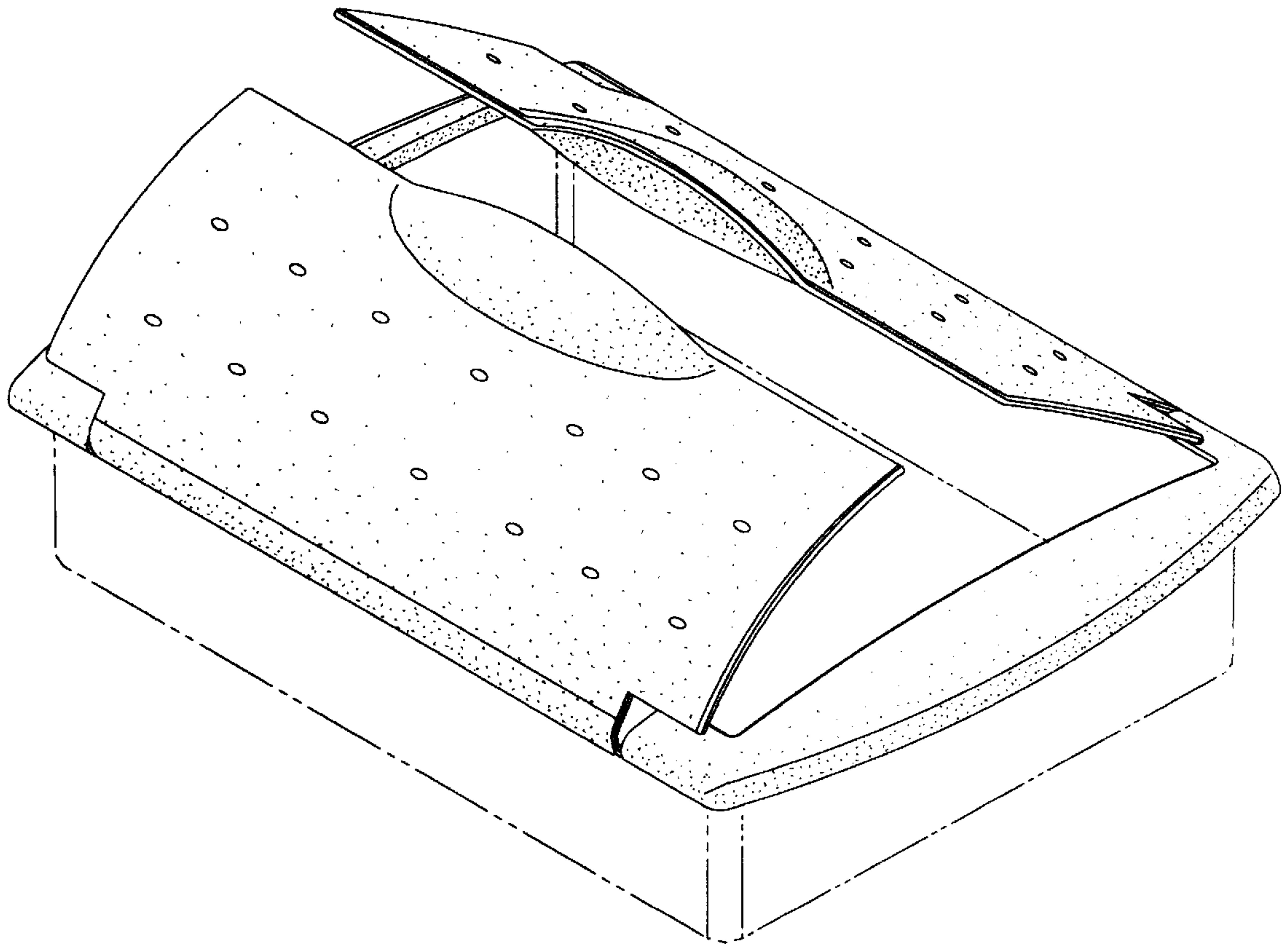


Fig. 5

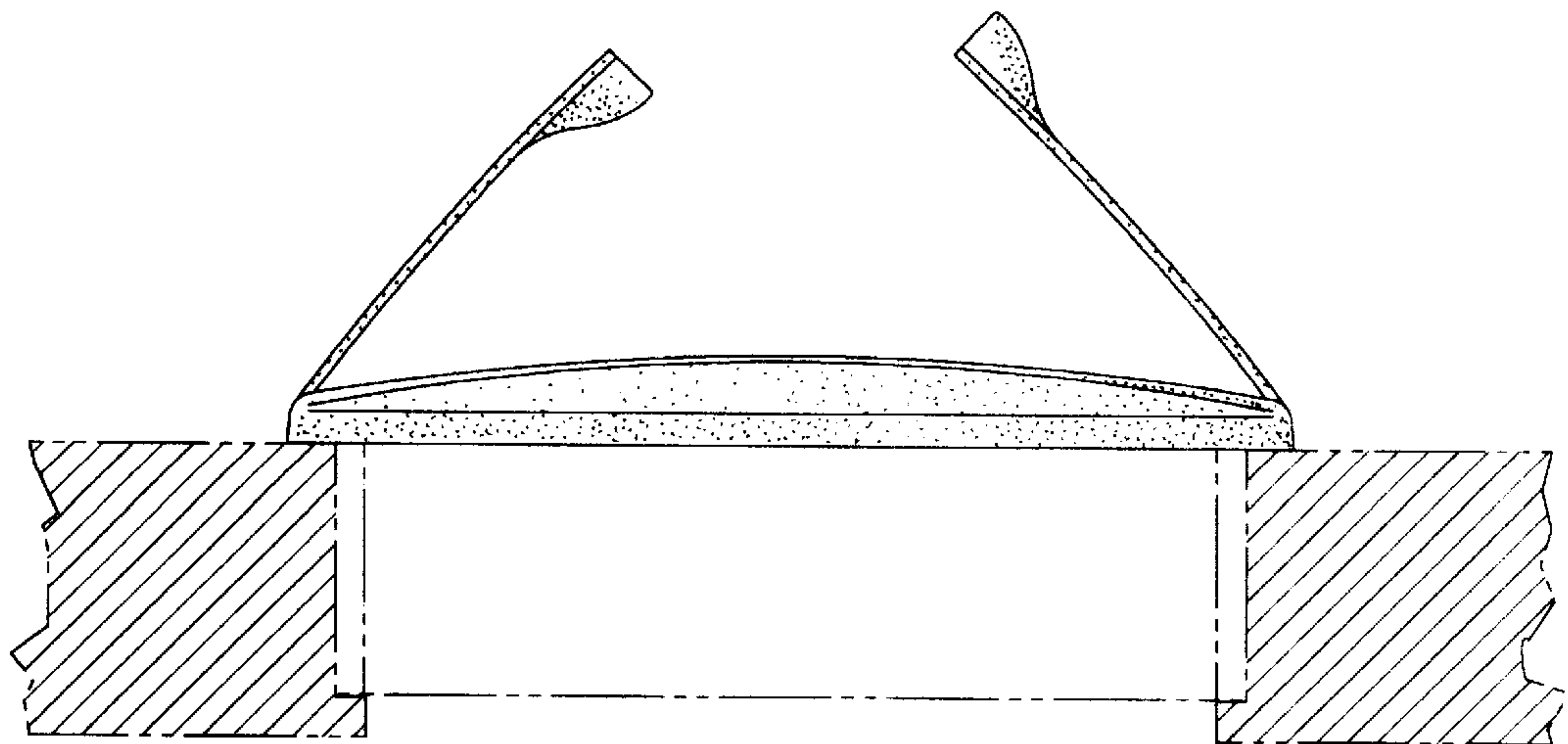


Fig. 6