



US00D467229S

(12) **United States Design Patent**
Heggem

(10) **Patent No.:** **US D467,229 S**

(45) **Date of Patent:** **** Dec. 17, 2002**

(54) **ELECTRIC DEVICE BOX**

(76) Inventor: **Gary P. Heggem**, 1400-F Hwy. 101
North, No. 201, Plymouth, MN (US)
55447

(**) Term: **14 Years**

(21) Appl. No.: **29/146,719**

(22) Filed: **Aug. 16, 2001**

(51) **LOC (7) Cl.** **13-03**

(52) **U.S. Cl.** **D13/152**

(58) **Field of Search** D8/350, 351, 352,
D8/353; D13/139.4, 139.5, 152, 153, 154,
156, 158, 173, 184; 174/48, 50, 53, 54,
58, 65 R, 66, 67; 220/3.2, 3.3, 3.6, 3.8,
33.92, 4.02; 361/643; 439/367, 535, 536,
653

(56) **References Cited**

U.S. PATENT DOCUMENTS

3,619,476 A * 11/1971 Rasmussen 174/58
4,494,815 A * 1/1985 Brzostek et al. 439/536

(List continued on next page.)

Primary Examiner—Robert M. Spear

(57) **CLAIM**

The ornamental design of an electric device box, as shown
and described.

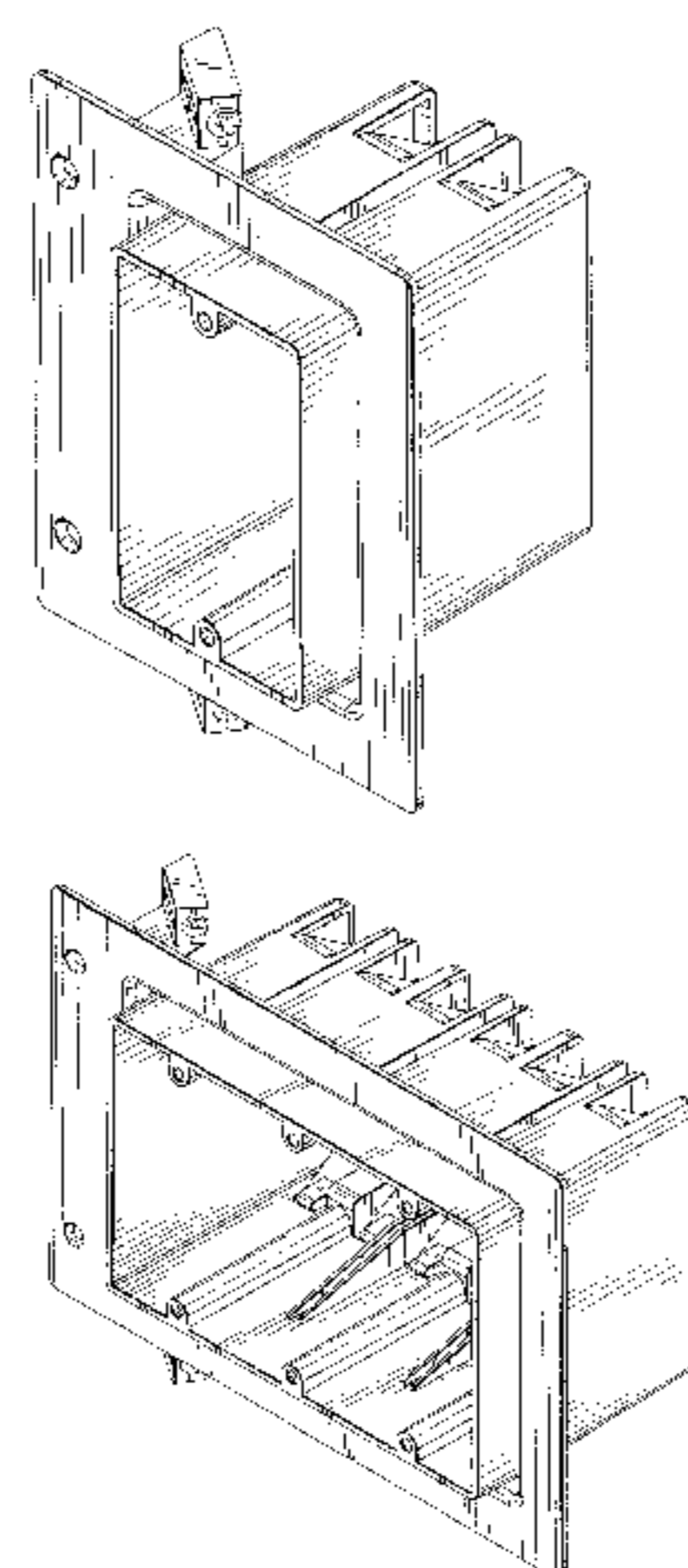
DESCRIPTION

FIG. 1 is a perspective view of an electric device box of my
new design;
FIG. 2 is a rear perspective view thereof;
FIG. 3 is a front elevational view thereof;
FIG. 4 is a side elevational view of the right side thereof;
FIG. 5 is a side elevational view of the left side thereof;
FIG. 6 is a top plan view thereof;
FIG. 7 is a bottom plan view thereof;

FIG. 8 is a sectional view taken along line 8—8 of FIG. 3;
FIG. 9 is a sectional view taken along line 9—9 of FIG. 3;
FIG. 10 is a front perspective view of a first modification of
the electric device box of FIG. 1;
FIG. 11 is a rear perspective view of FIG. 10;
FIG. 12 is a front elevational view of FIG. 10;
FIG. 13 is a side elevational view of the right side of FIG.
10;
FIG. 14 is a side elevational view of the left side of FIG. 10;
FIG. 15 is a top plan view of FIG. 10;
FIG. 16 is a bottom plan view of FIG. 10;
FIG. 17 is a sectional view taken along line 17—17 of FIG.
12;
FIG. 18 is a sectional view taken along line 18—18 of FIG.
12;
FIG. 19 is an exploded view of a second modification of the
electric device box of FIG. 1;
FIG. 20 is a rear perspective view of FIG. 19;
FIG. 21 is a front elevational view of FIG. 19;
FIG. 22 is a side elevational view of the right side of FIG.
19;
FIG. 23 is a side elevational view of the left side of FIG. 19;
FIG. 24 is a top plan view of FIG. 19;
FIG. 25 is a bottom plan view of FIG. 19;
FIG. 26 is a sectional view taken along line 26—26 of FIG.
21;
FIG. 27 is a sectional view taken along line 27—27 of FIG.
21;
FIG. 28 is a front perspective view of a third modification of
the electric device box of FIG. 1;
FIG. 29 is a rear perspective view of FIG. 28;
FIG. 30 is a front elevational view of FIG. 28;
FIG. 31 is a side elevational view of the right side of FIG.
28;
FIG. 32 is a side elevational view of the left side of FIG. 28;
FIG. 33 is a top plan view of FIG. 28;
FIG. 34 is a bottom plan view of FIG. 28;
FIG. 35 is a sectional view taken along line 35—35 of FIG.
30; and,
FIG. 36 is a sectional view taken along line 36—36 of FIG.
30.

The broken lines in the drawings depict environmental
structure, which forms no part of the claimed design.

1 Claim, 28 Drawing Sheets



US D467,229 S

Page 2

U.S. PATENT DOCUMENTS

4,673,097 A *	6/1987	Schuldt	220/3.5	5,594,207 A *	1/1997	Fabian et al.	174/48
4,724,281 A *	2/1988	Nix et al.	174/53	6,188,022 B1 *	2/2001	He	174/58
4,794,207 A *	12/1988	Norberg et al.	174/46	6,198,045 B1 *	3/2001	Roesch	174/58
5,448,011 A *	9/1995	Laughlin	174/48	6,239,365 B1 *	5/2001	McEvers	174/50
5,478,032 A *	12/1995	Miller	174/48	6,303,858 B1 *	10/2001	Bosse, Jr.	174/48

* cited by examiner

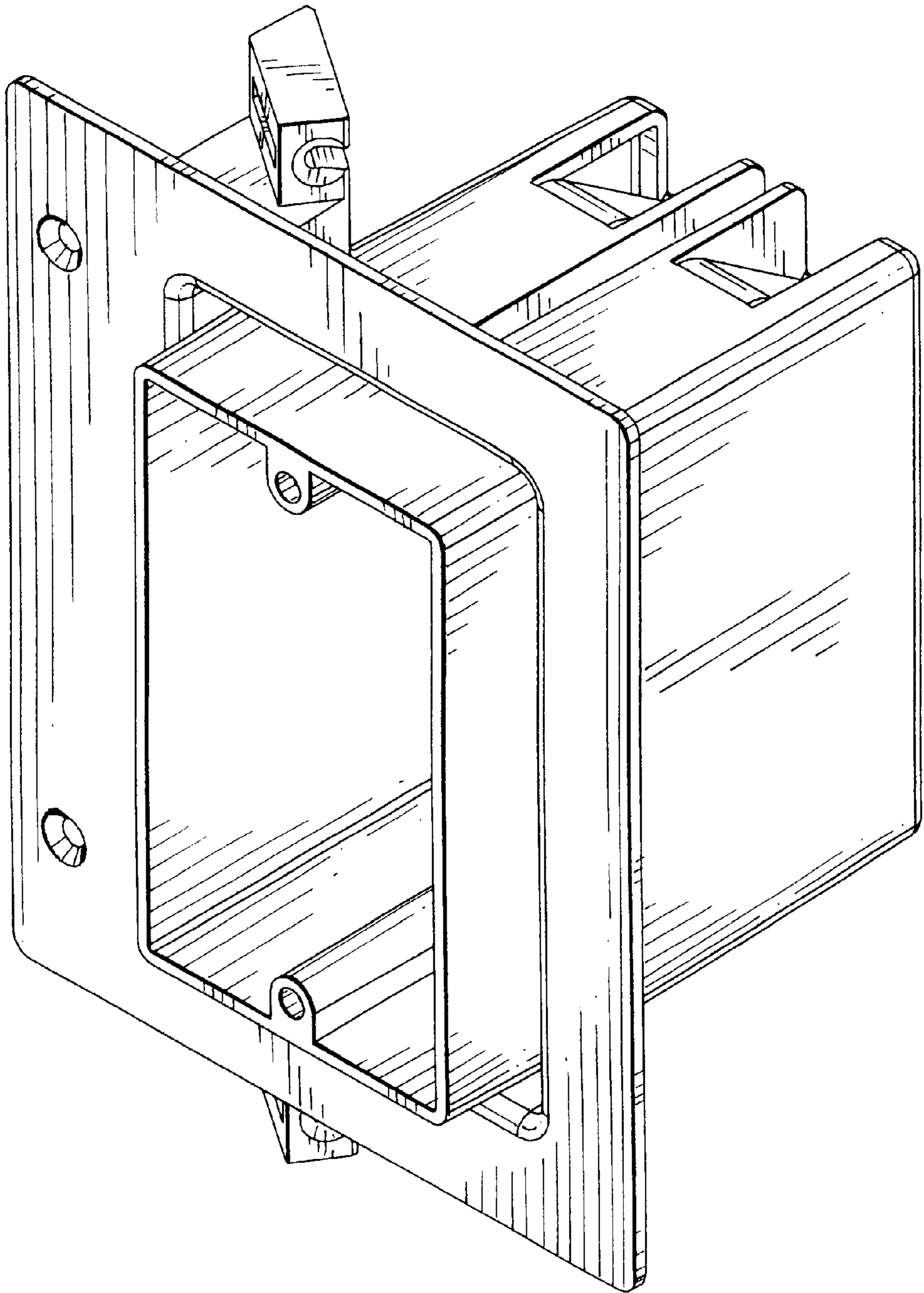


FIG. 1

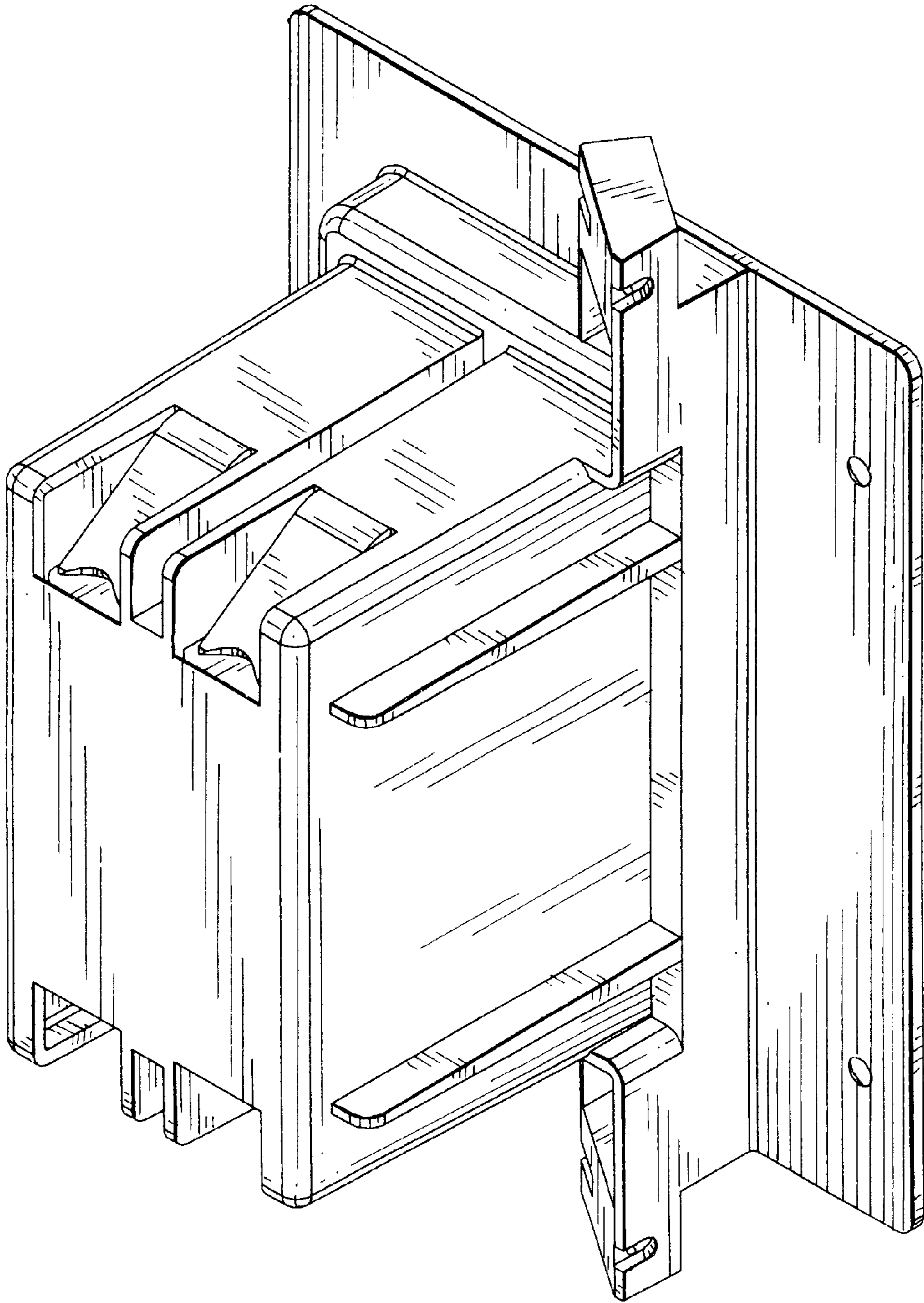


FIG. 2

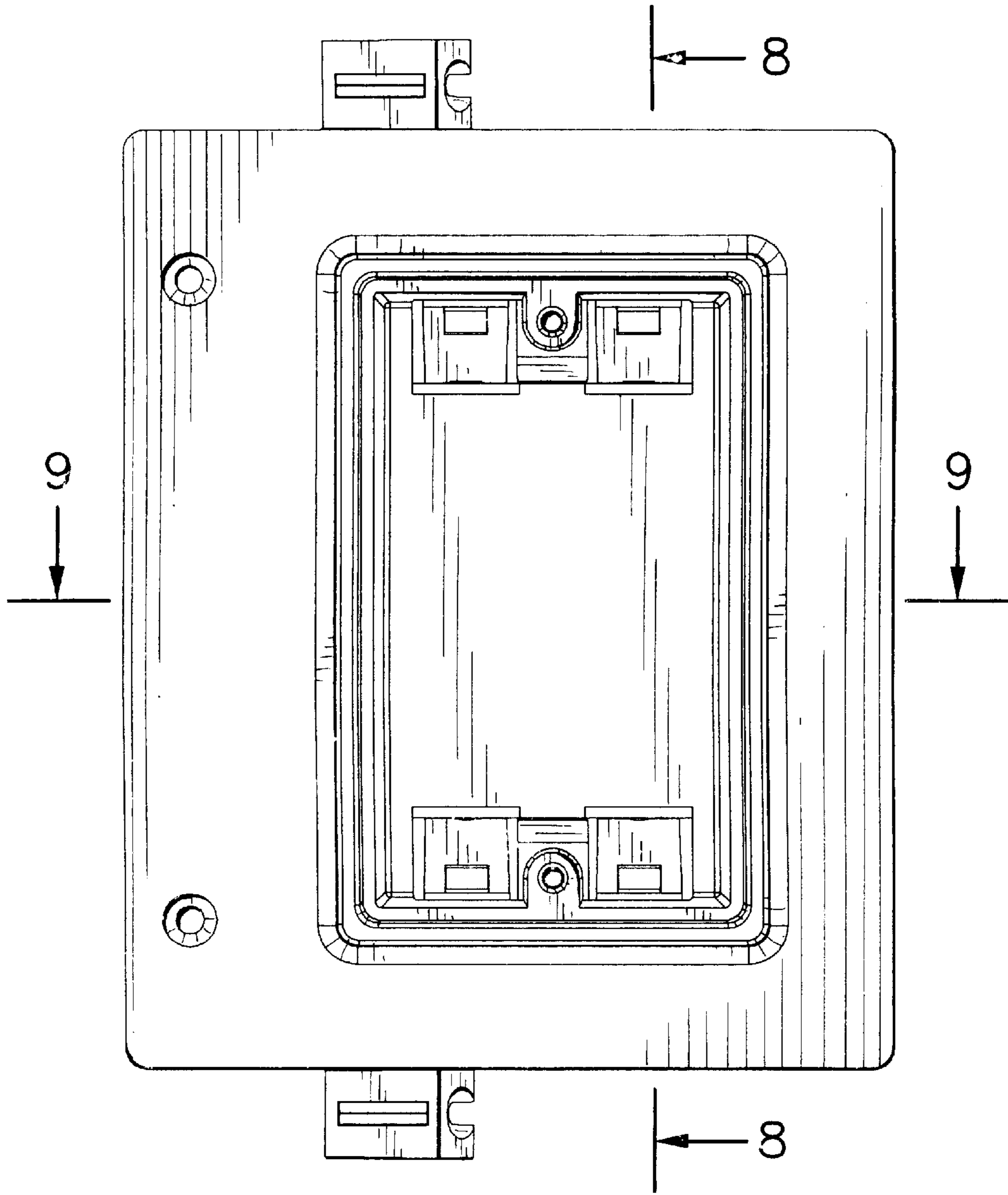


FIG. 3

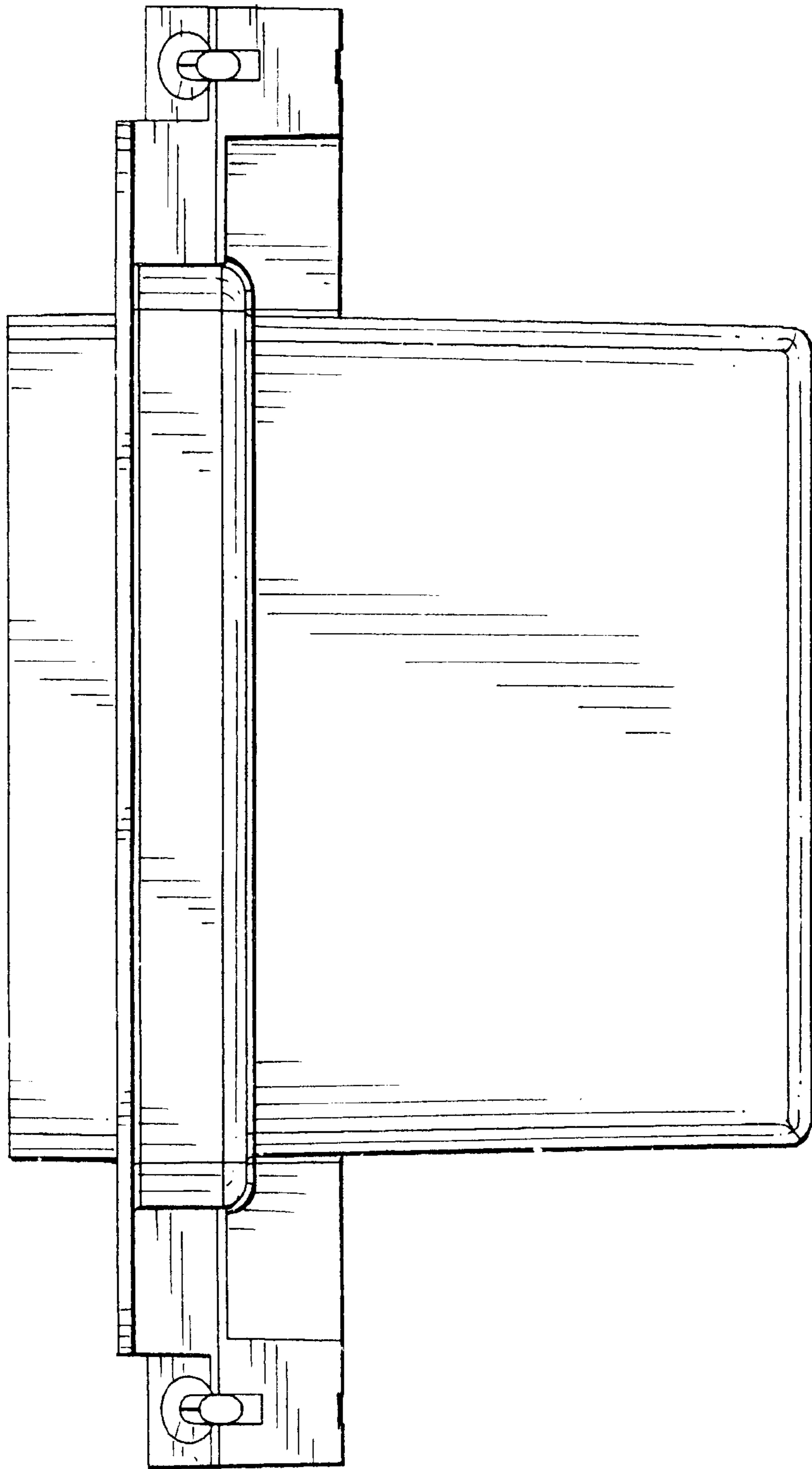


FIG. 4

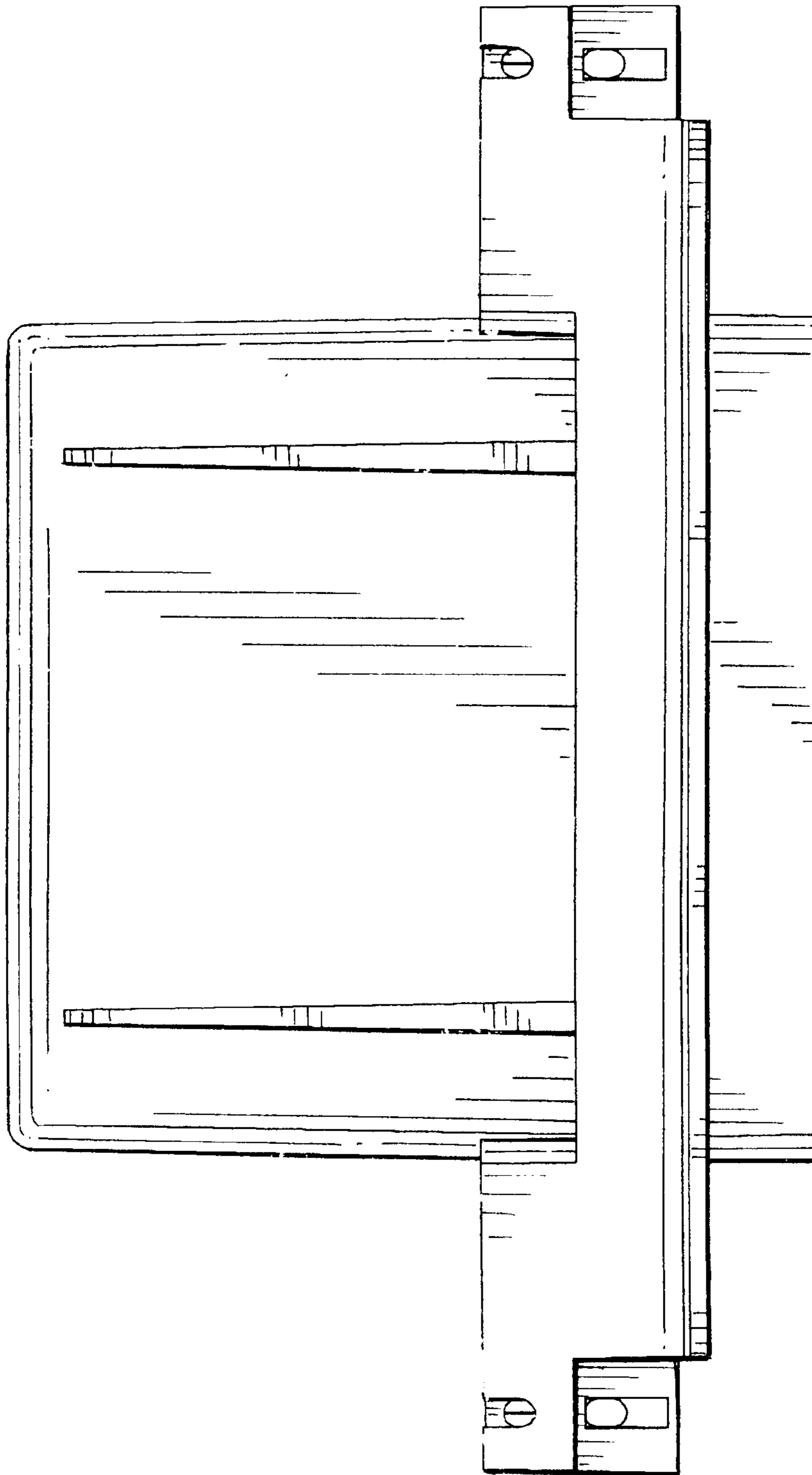


FIG. 5

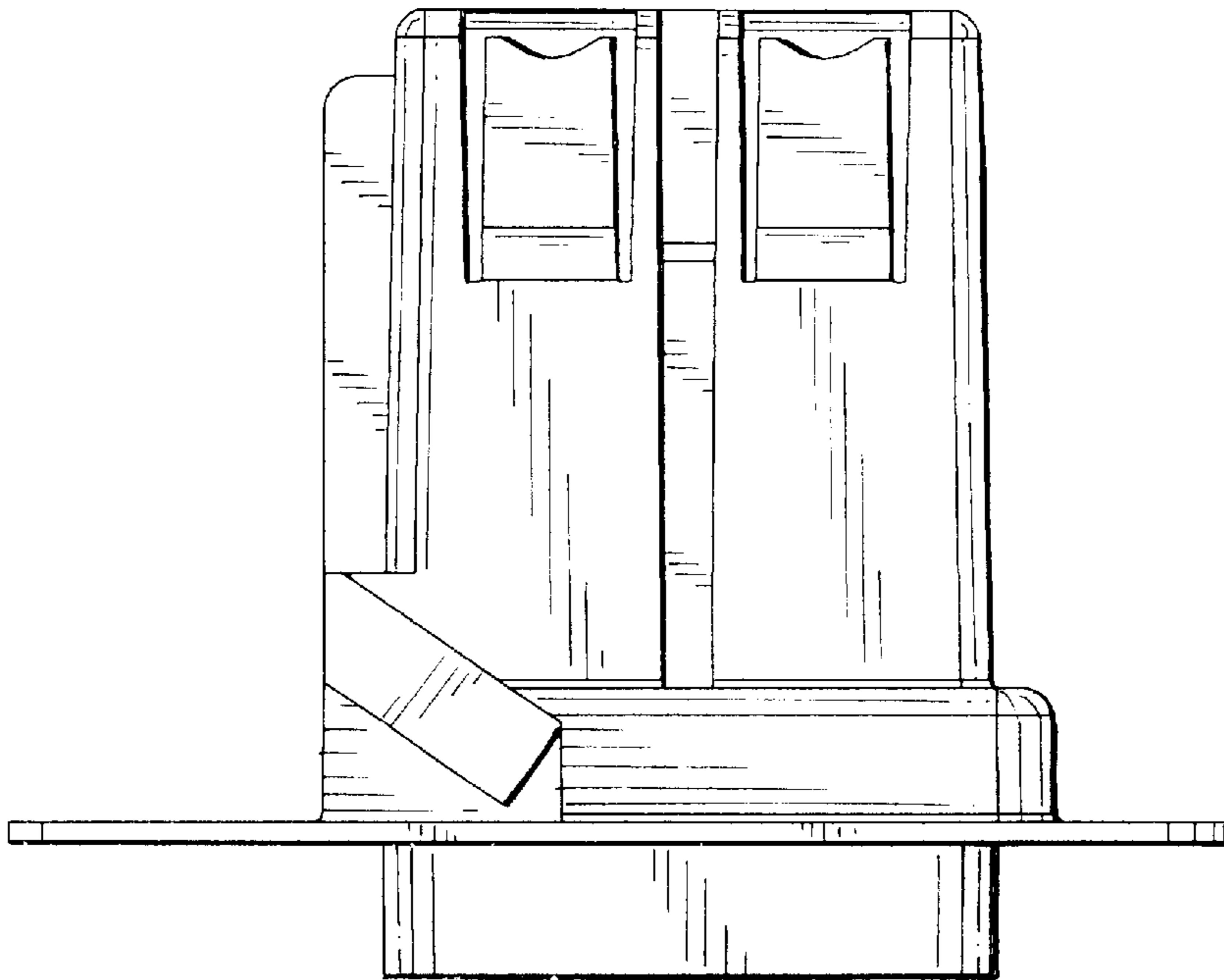


FIG. 6

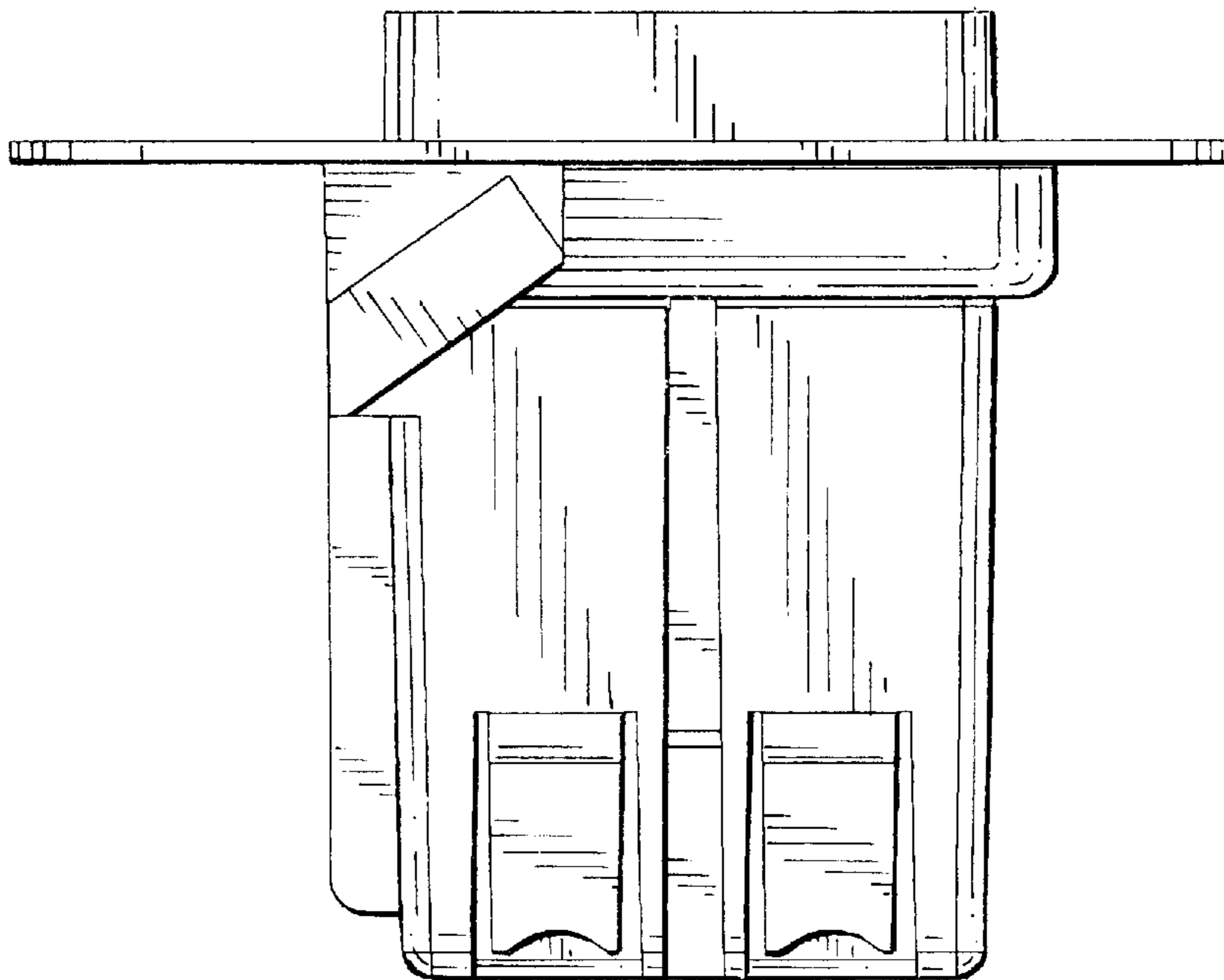


FIG. 7

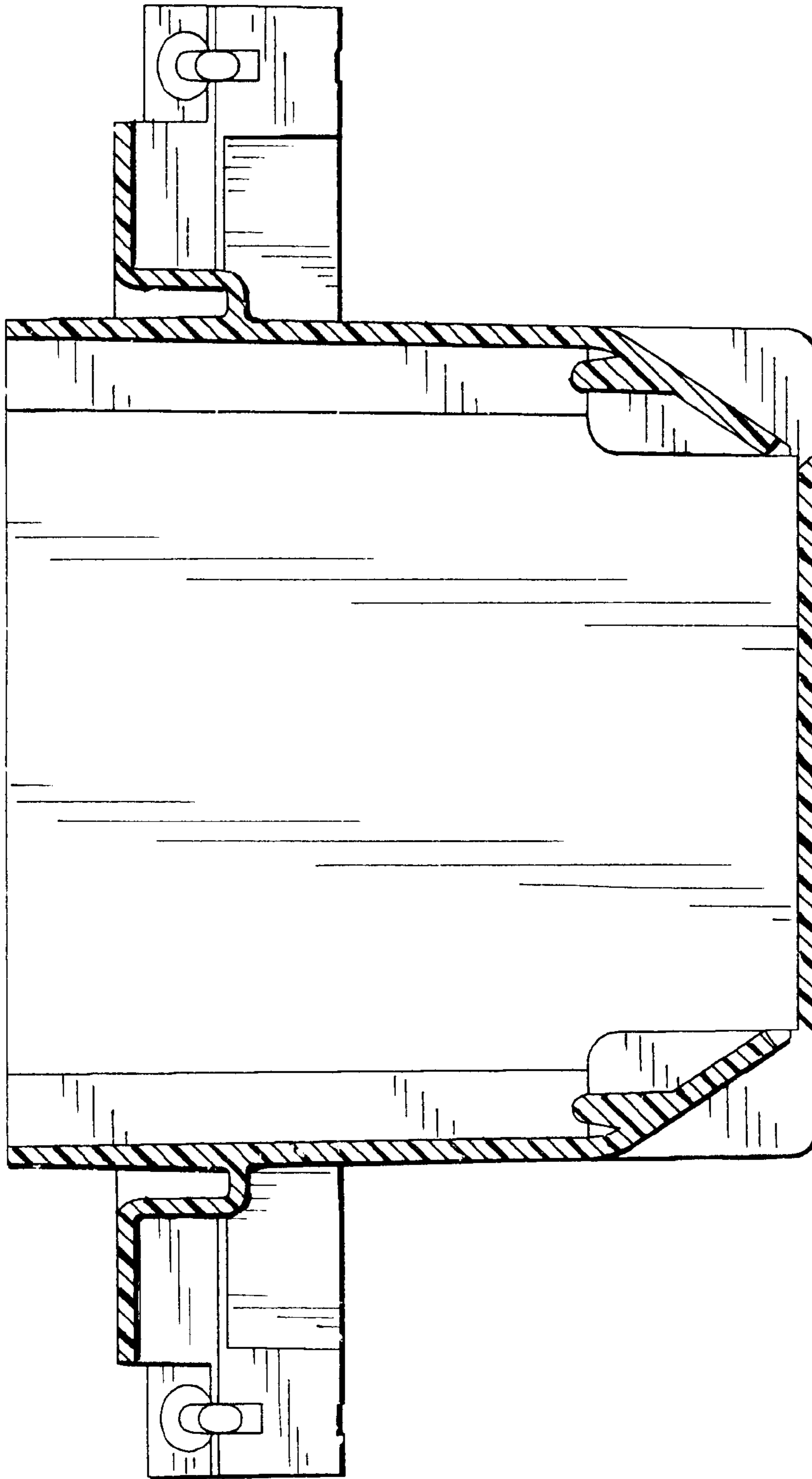


FIG. 8

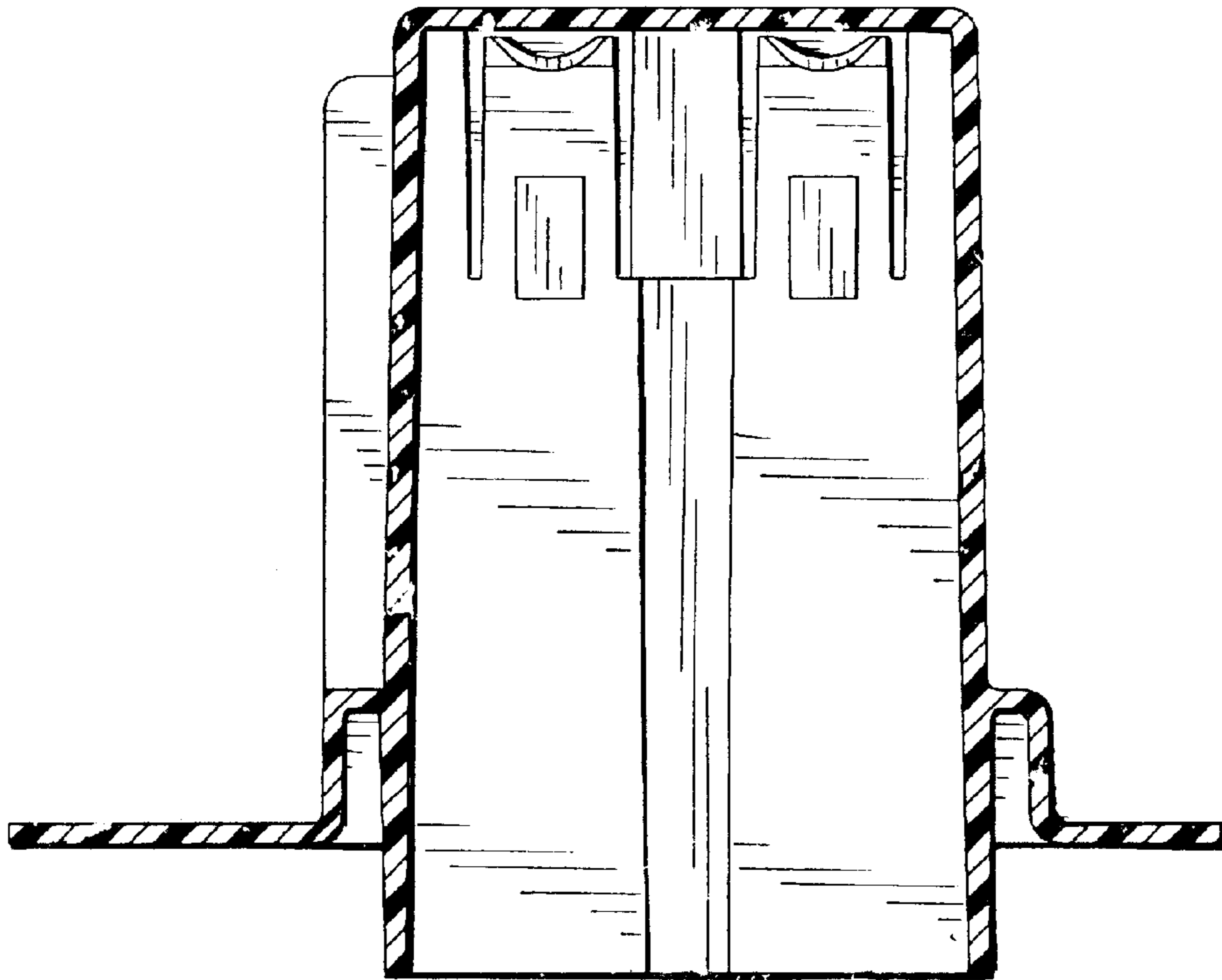


FIG. 9

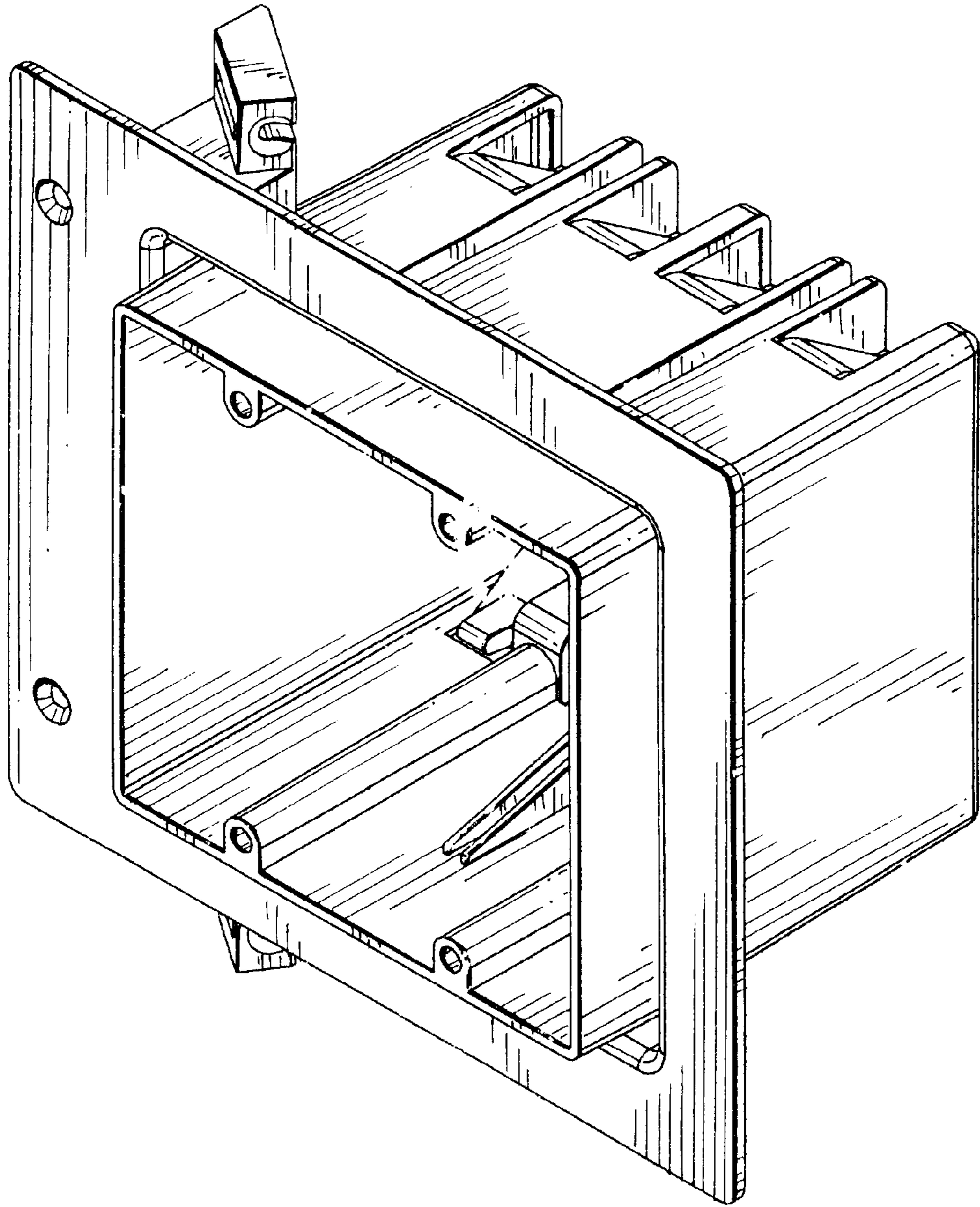


FIG. 10

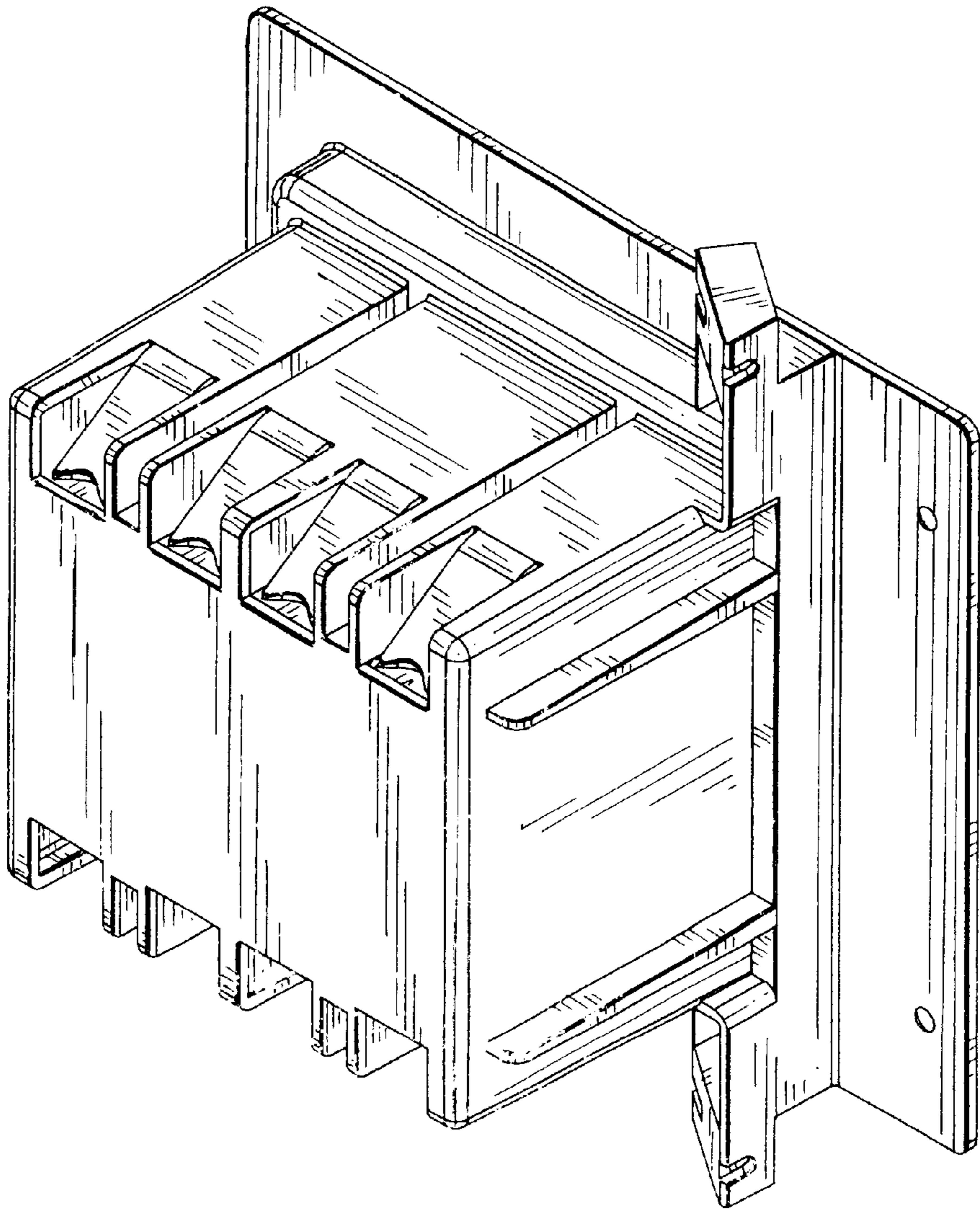


FIG. 11

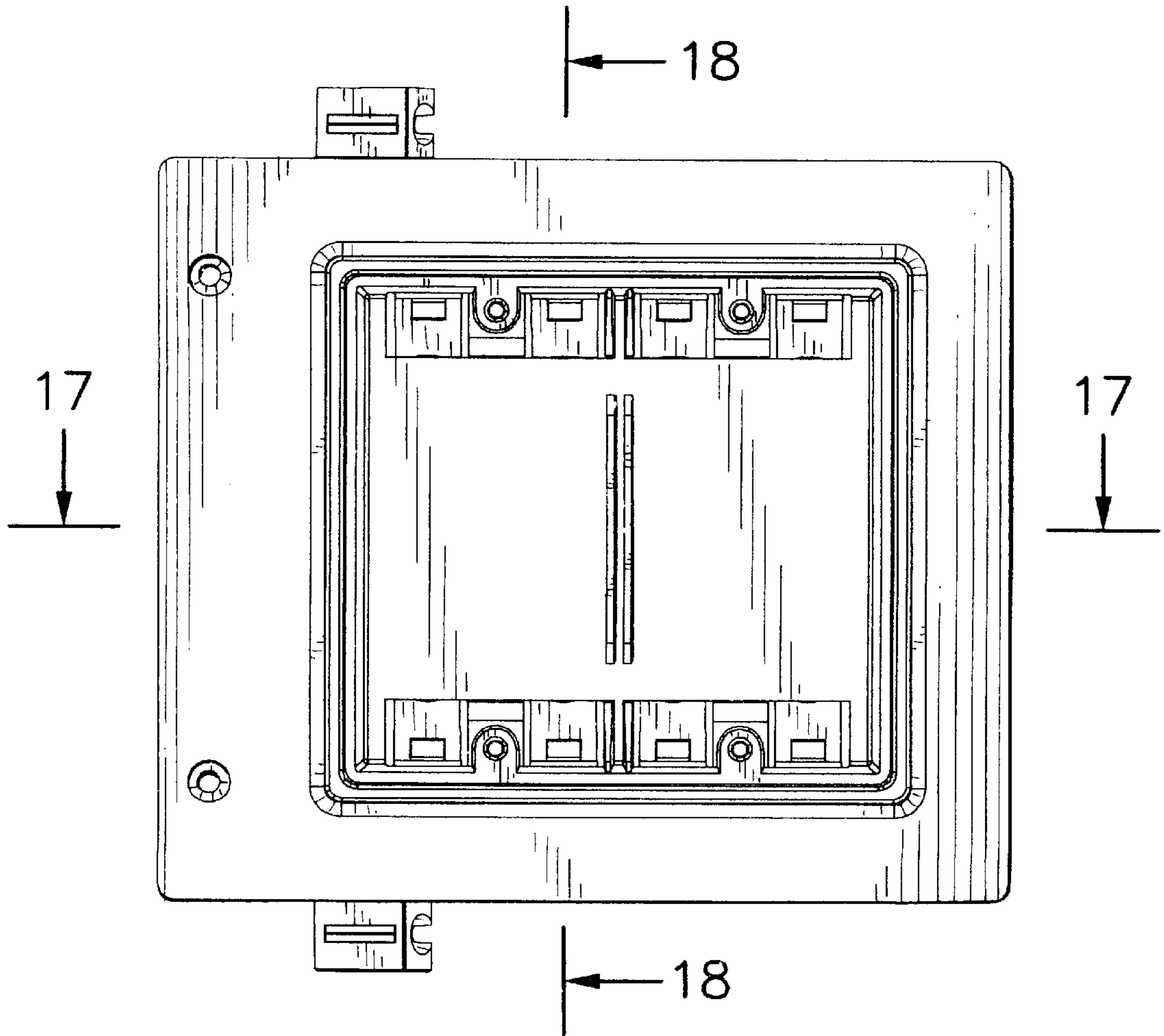


FIG. 12

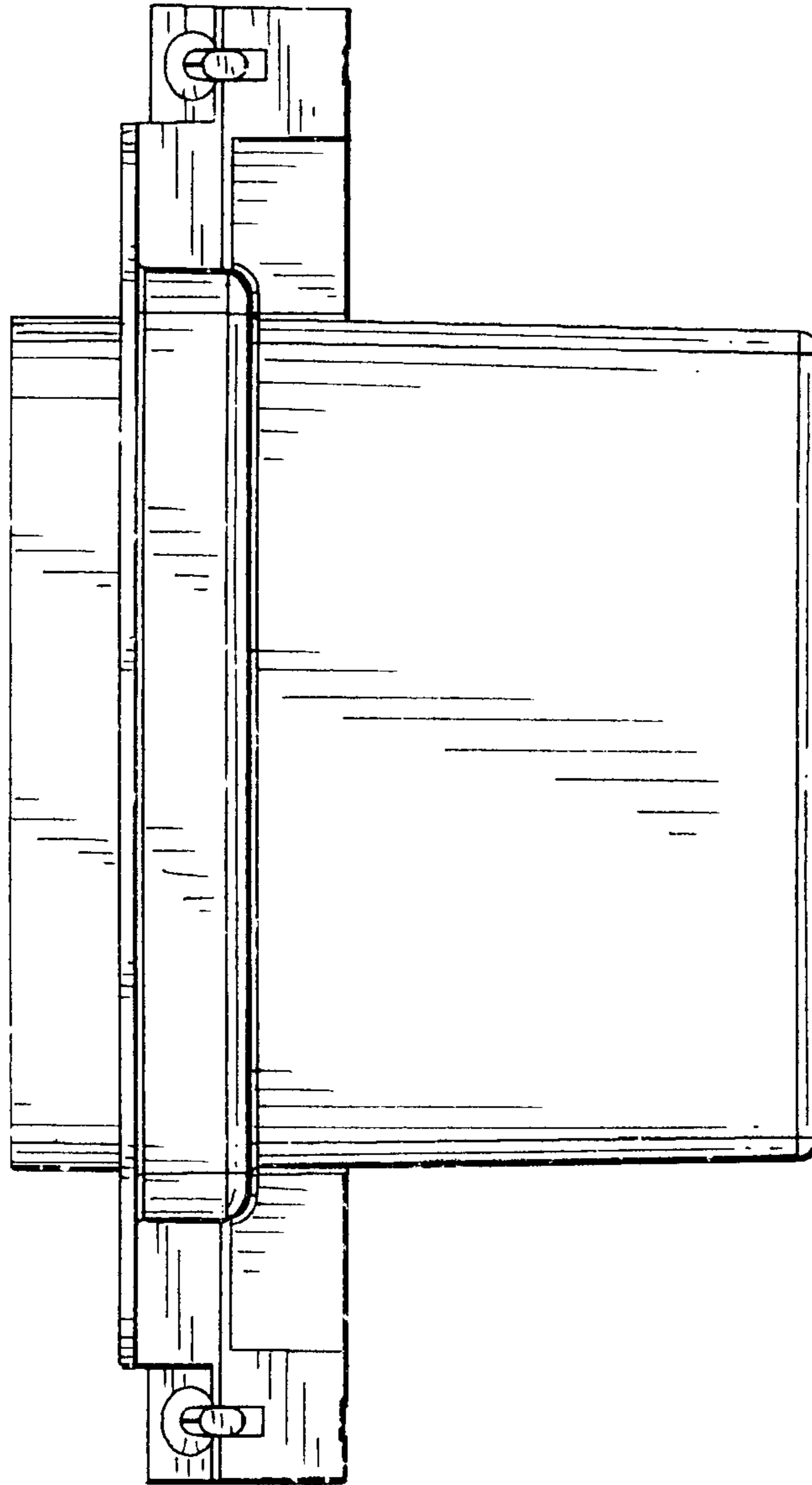


FIG. 13

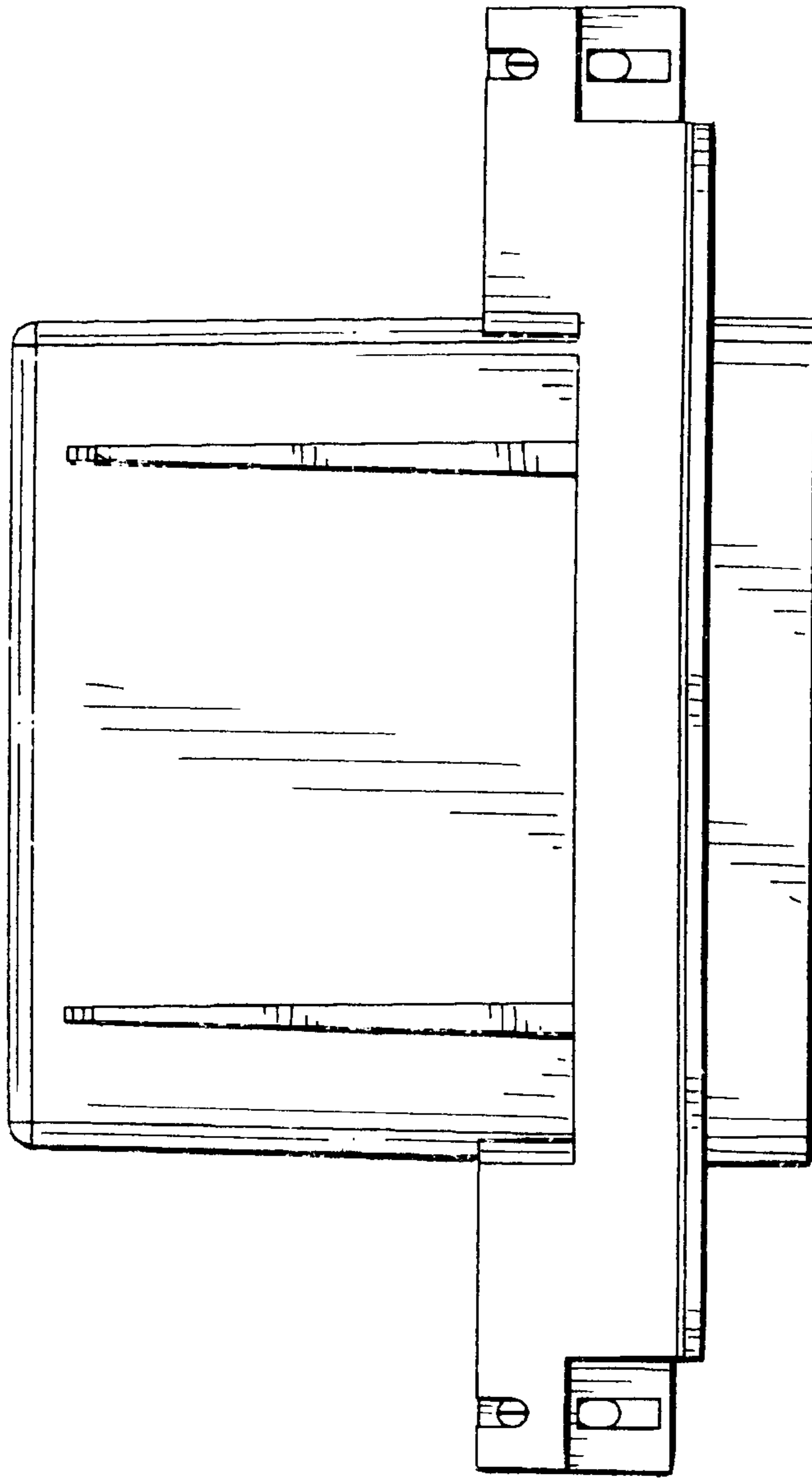


FIG. 14

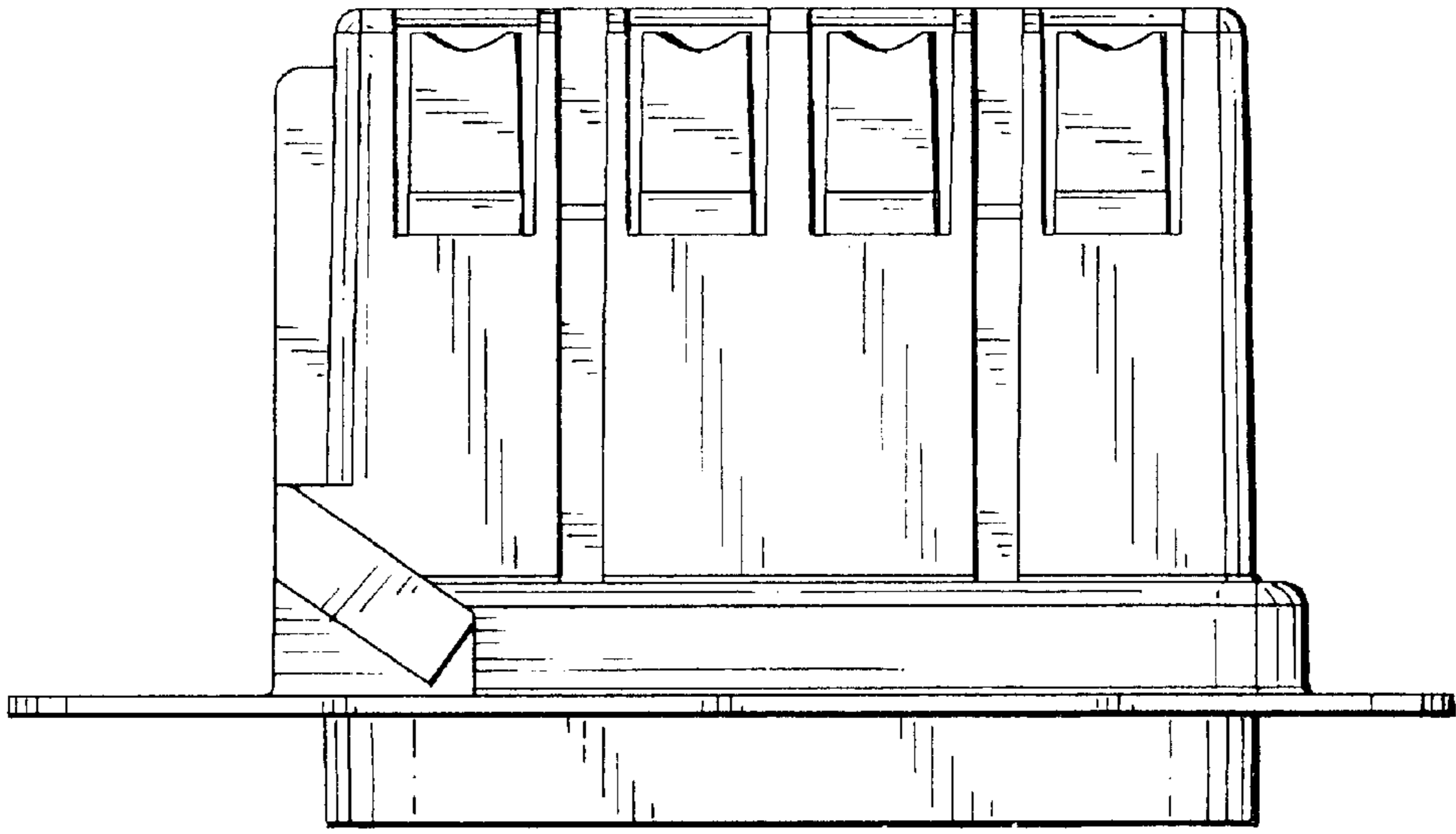


FIG. 15

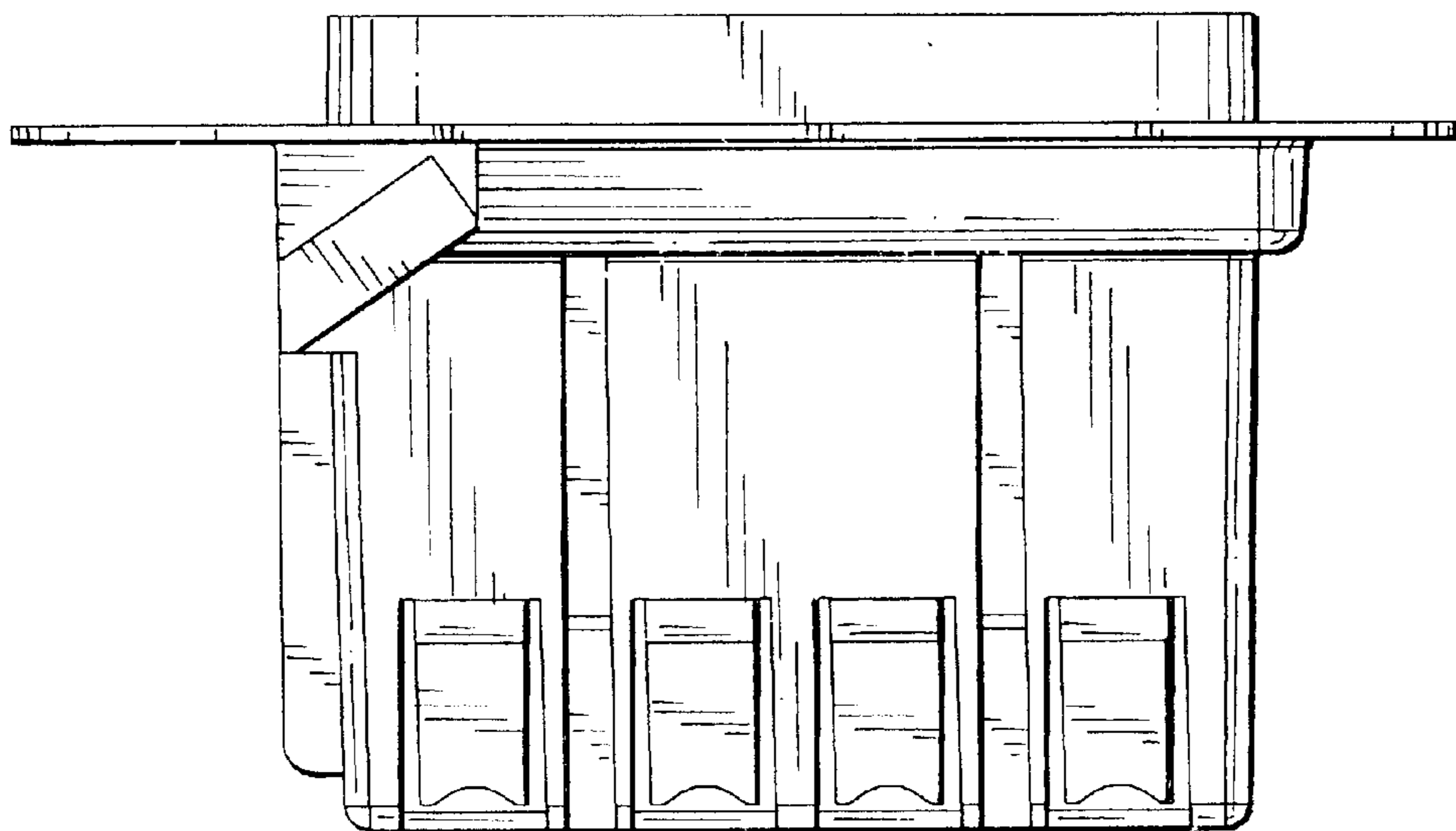


FIG. 16

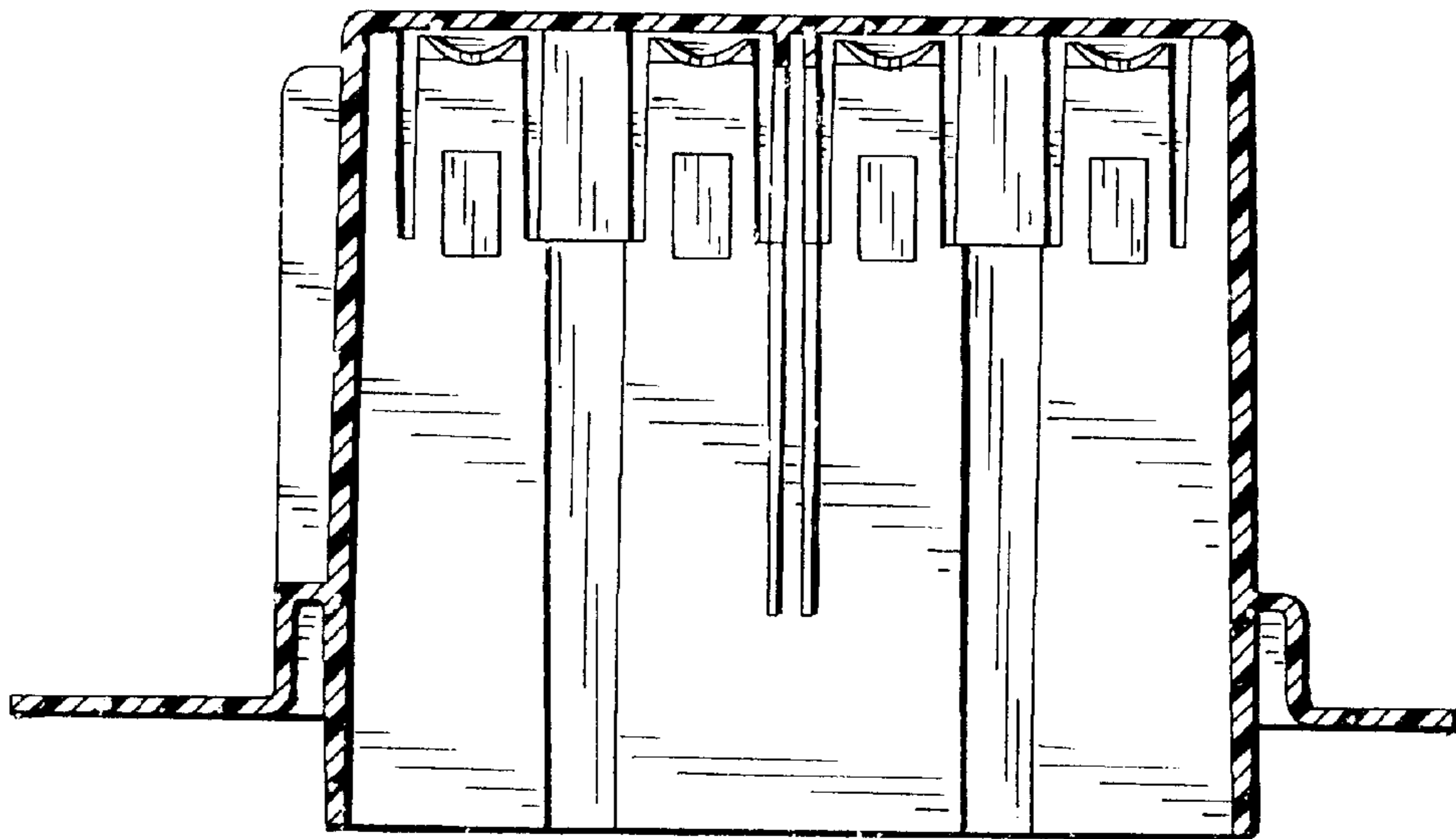


FIG. 17

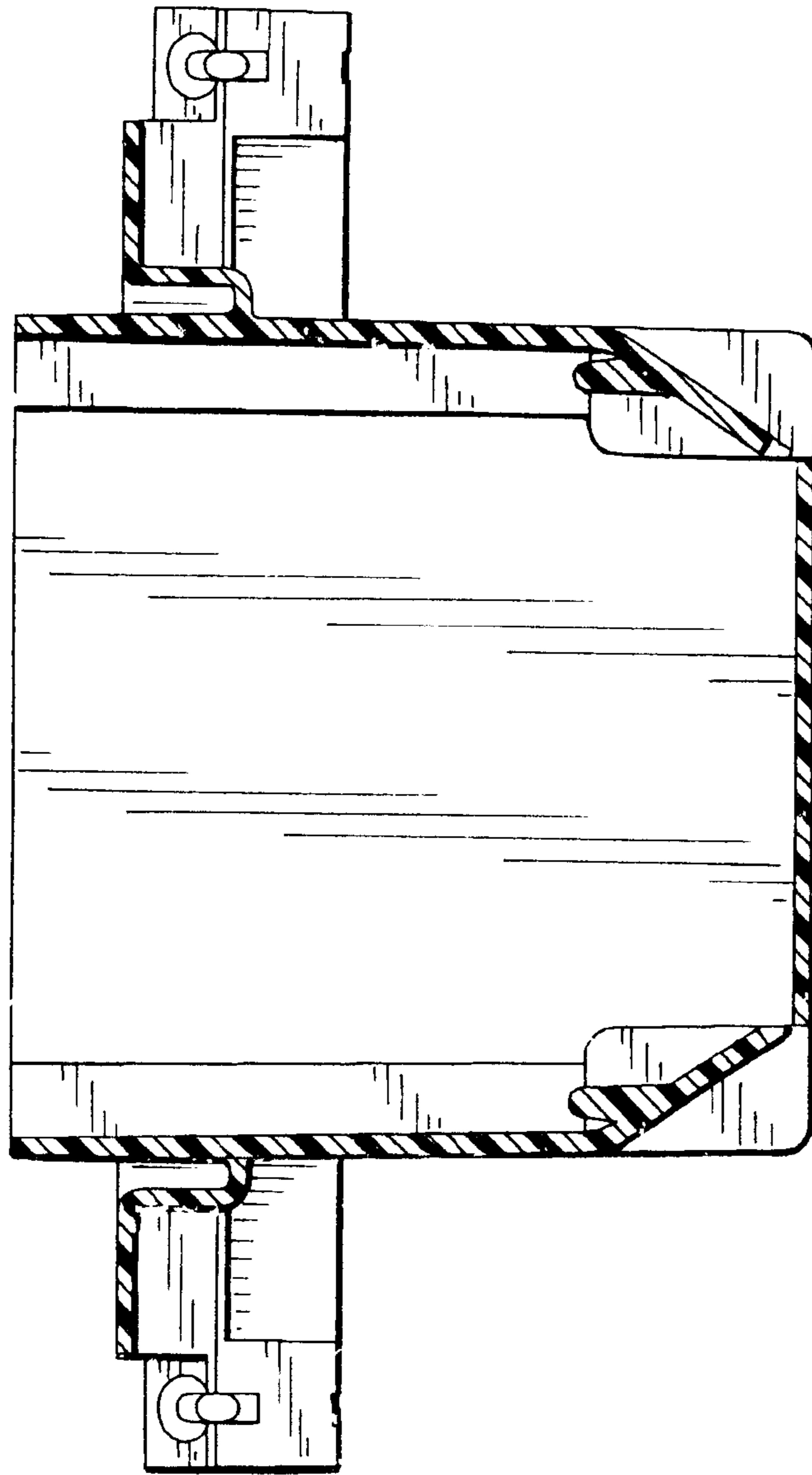


FIG. 18

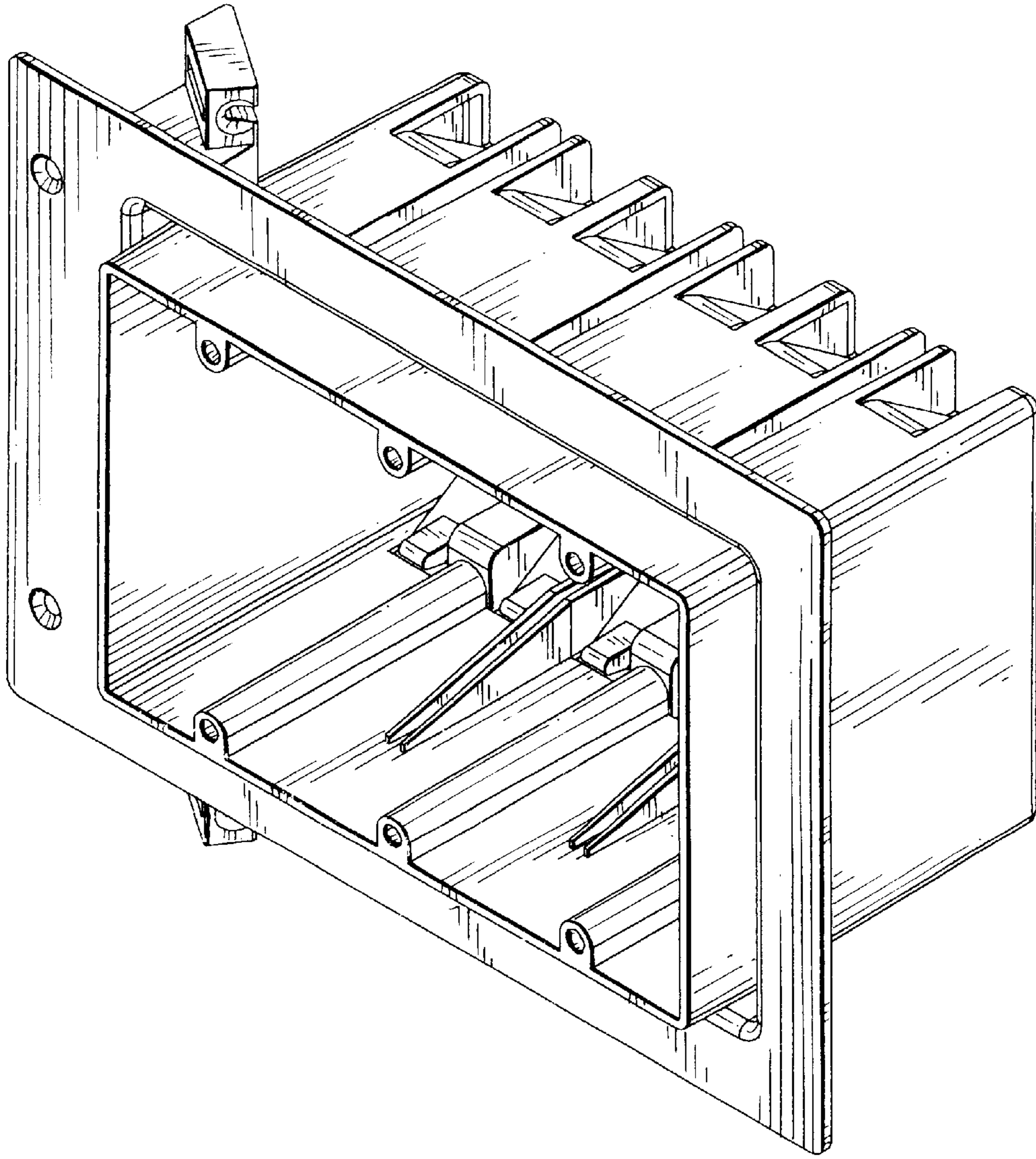


FIG. 19

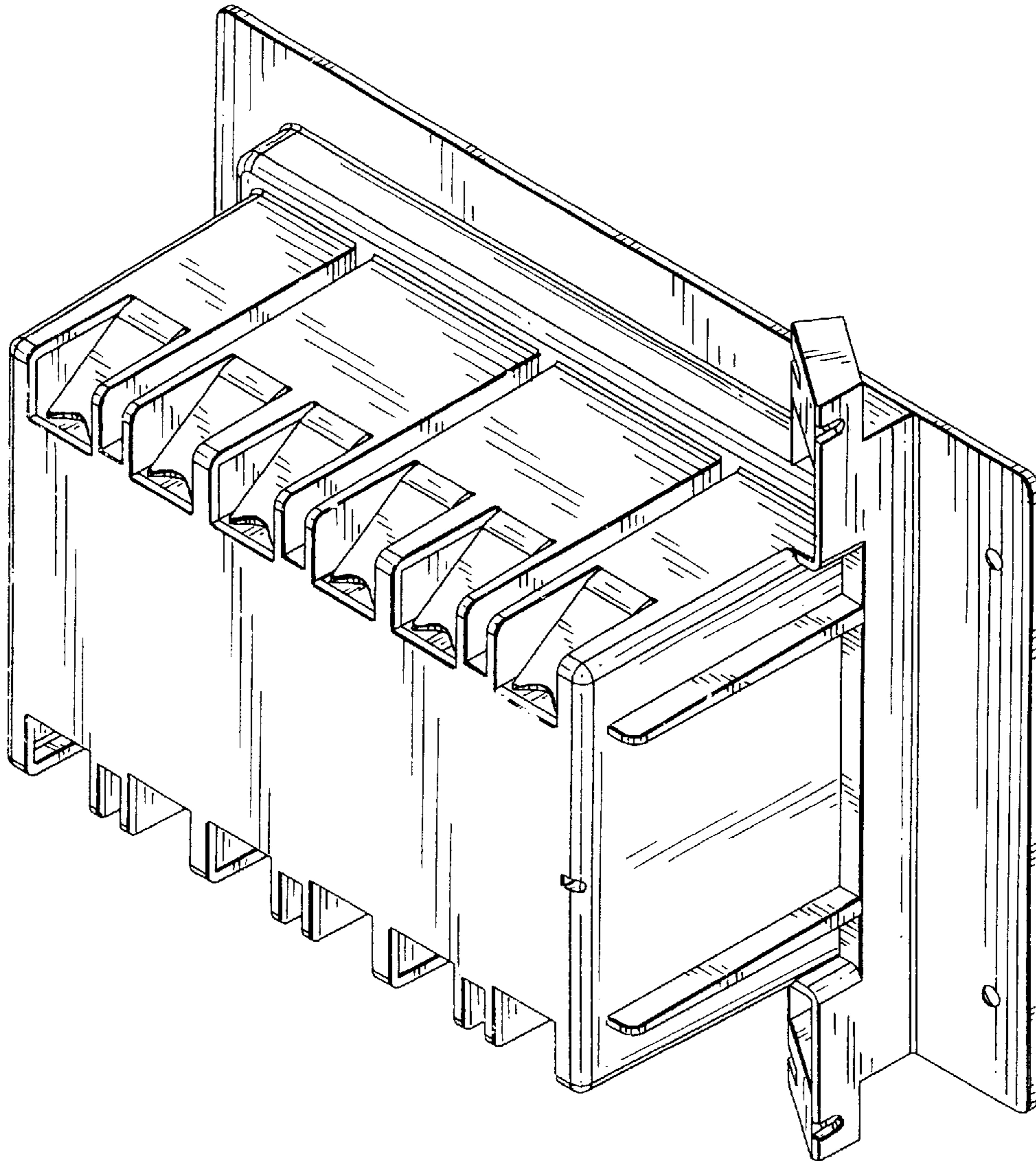


FIG. 20

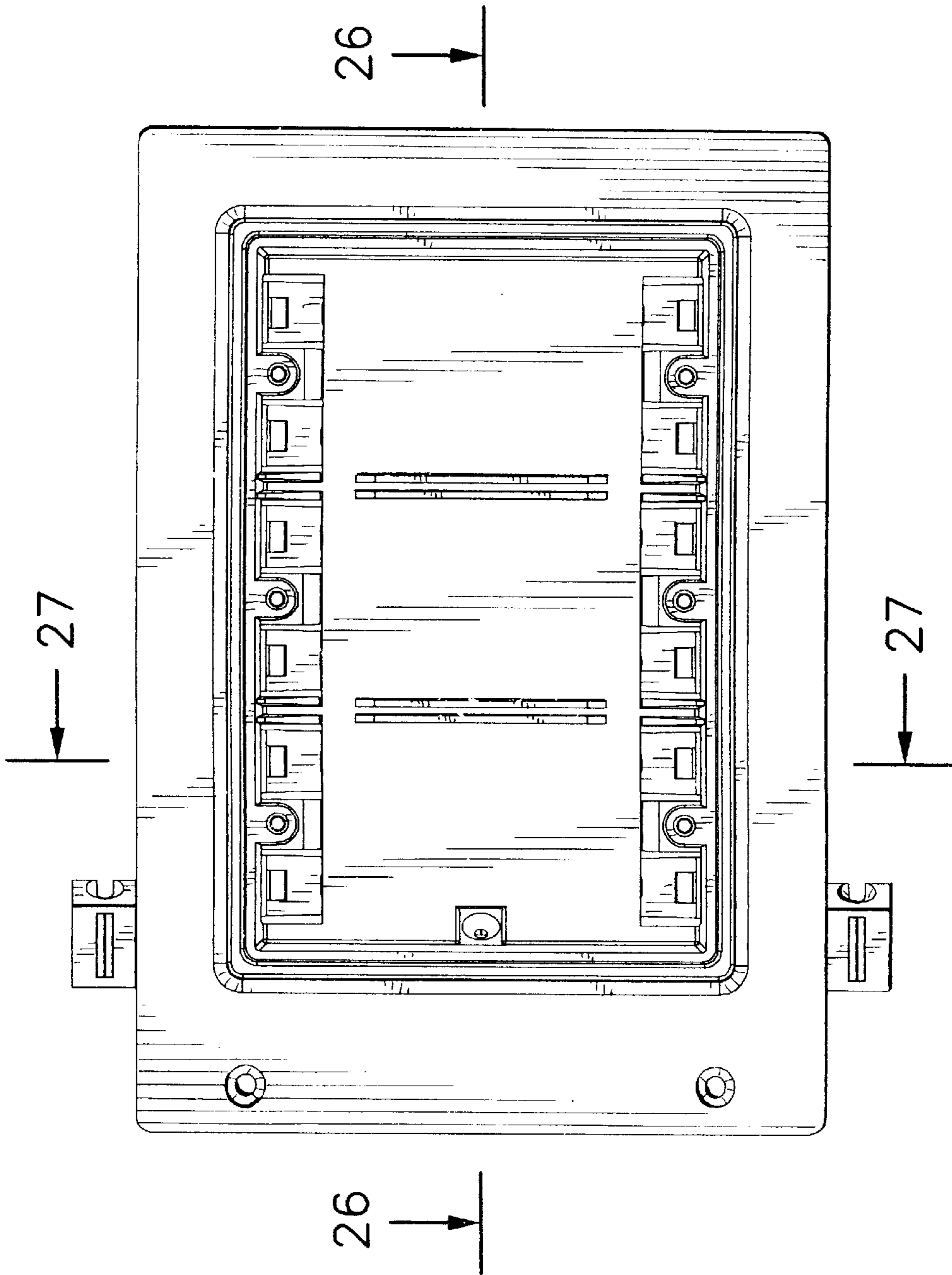


FIG. 21

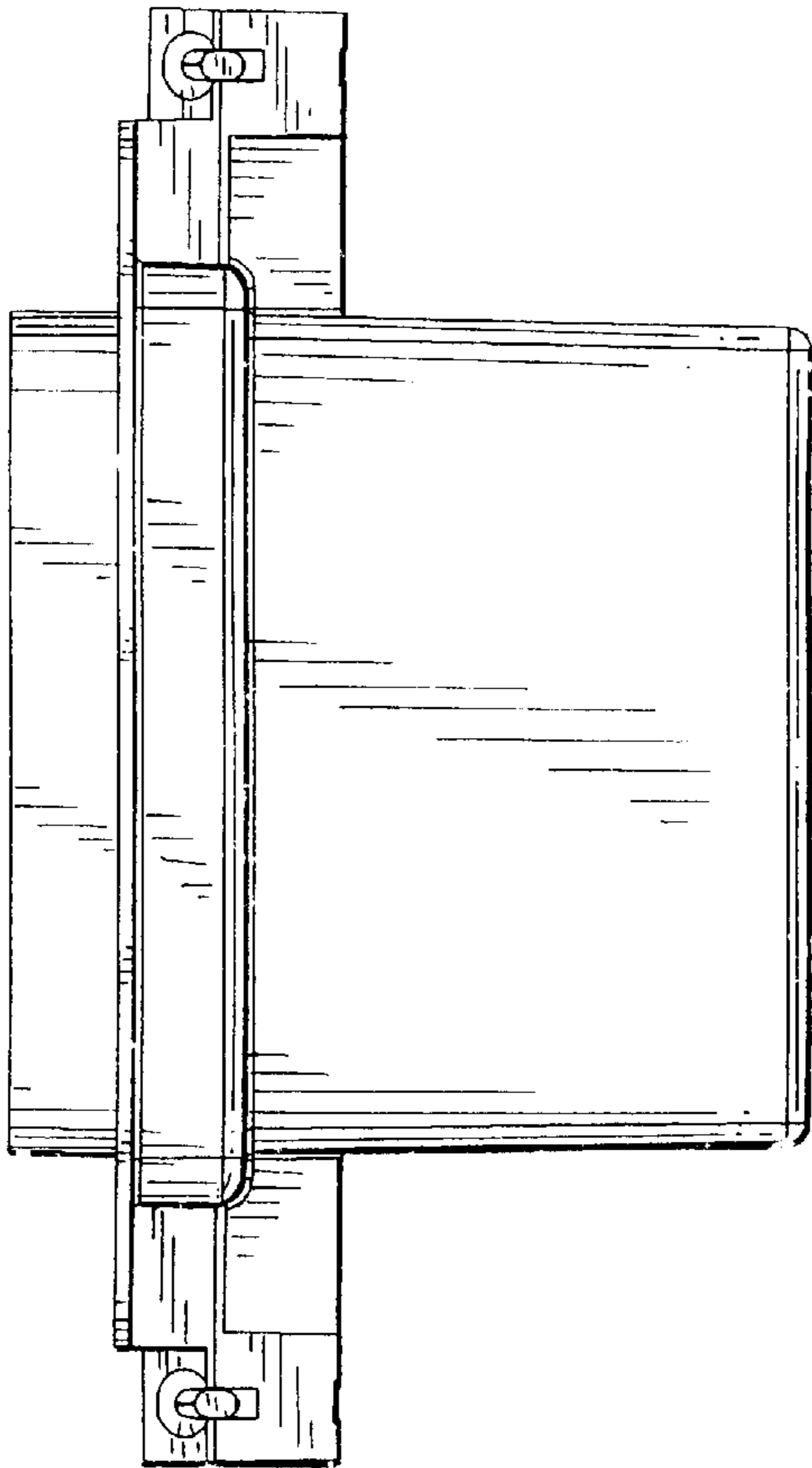


FIG. 22

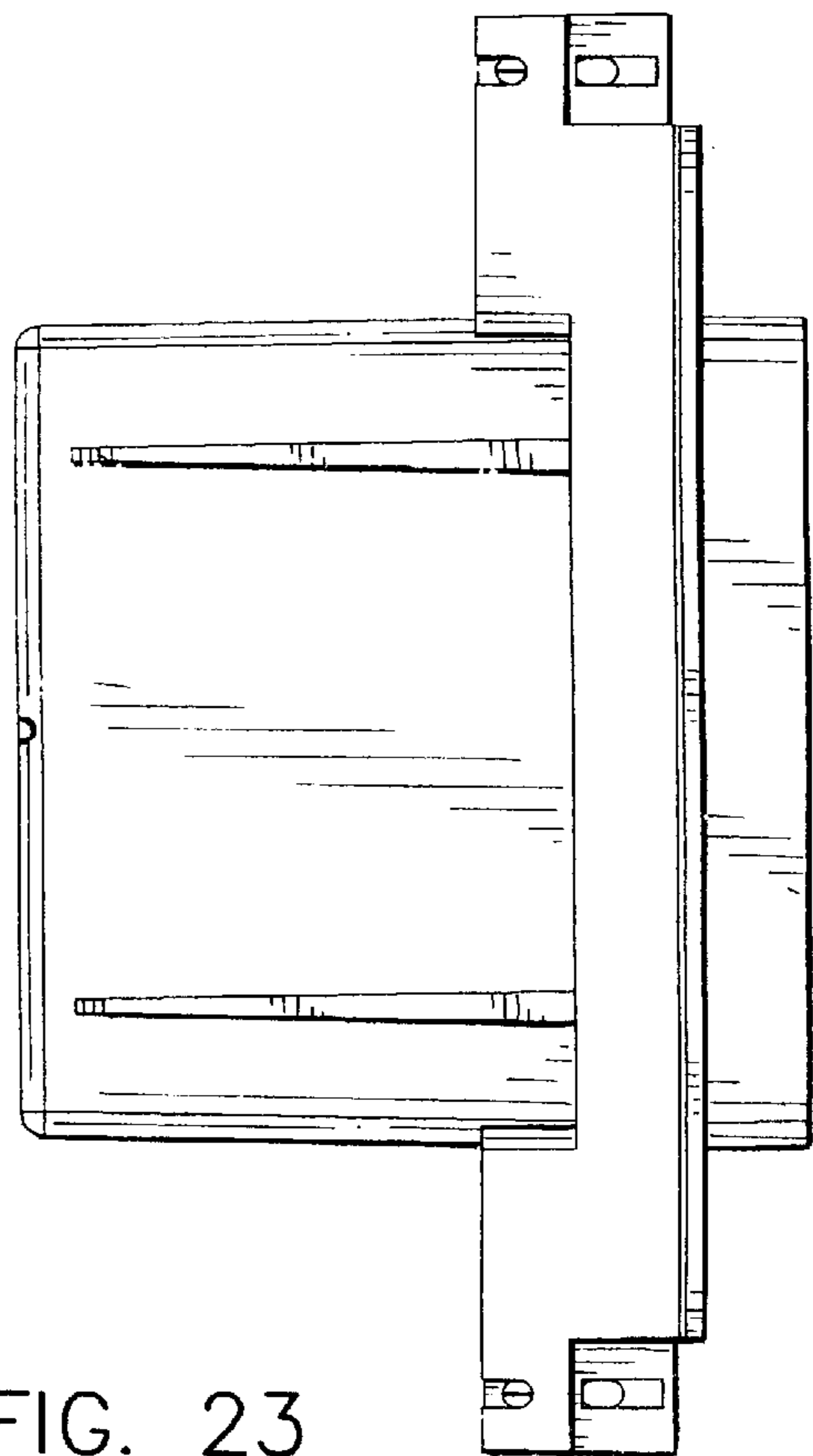


FIG. 23

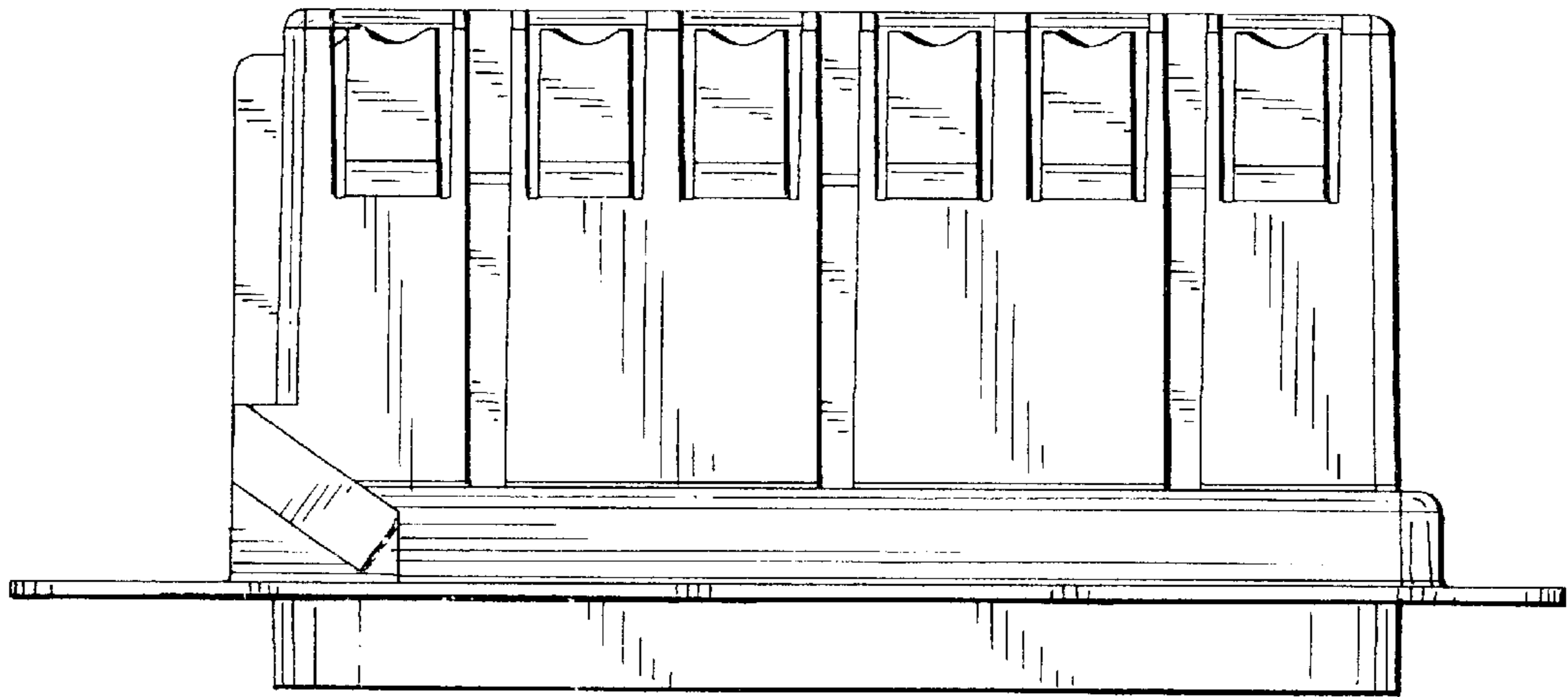


FIG. 24



FIG. 25

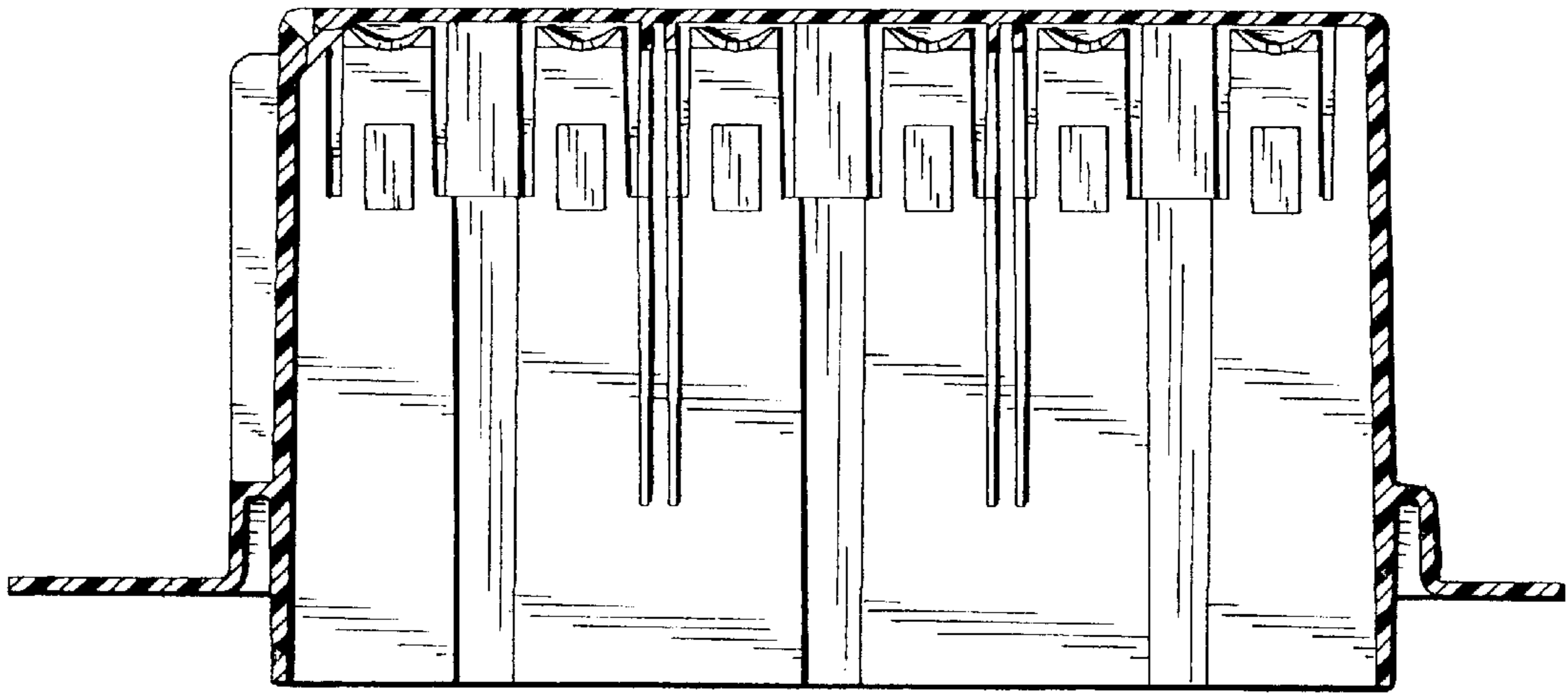


FIG. 26

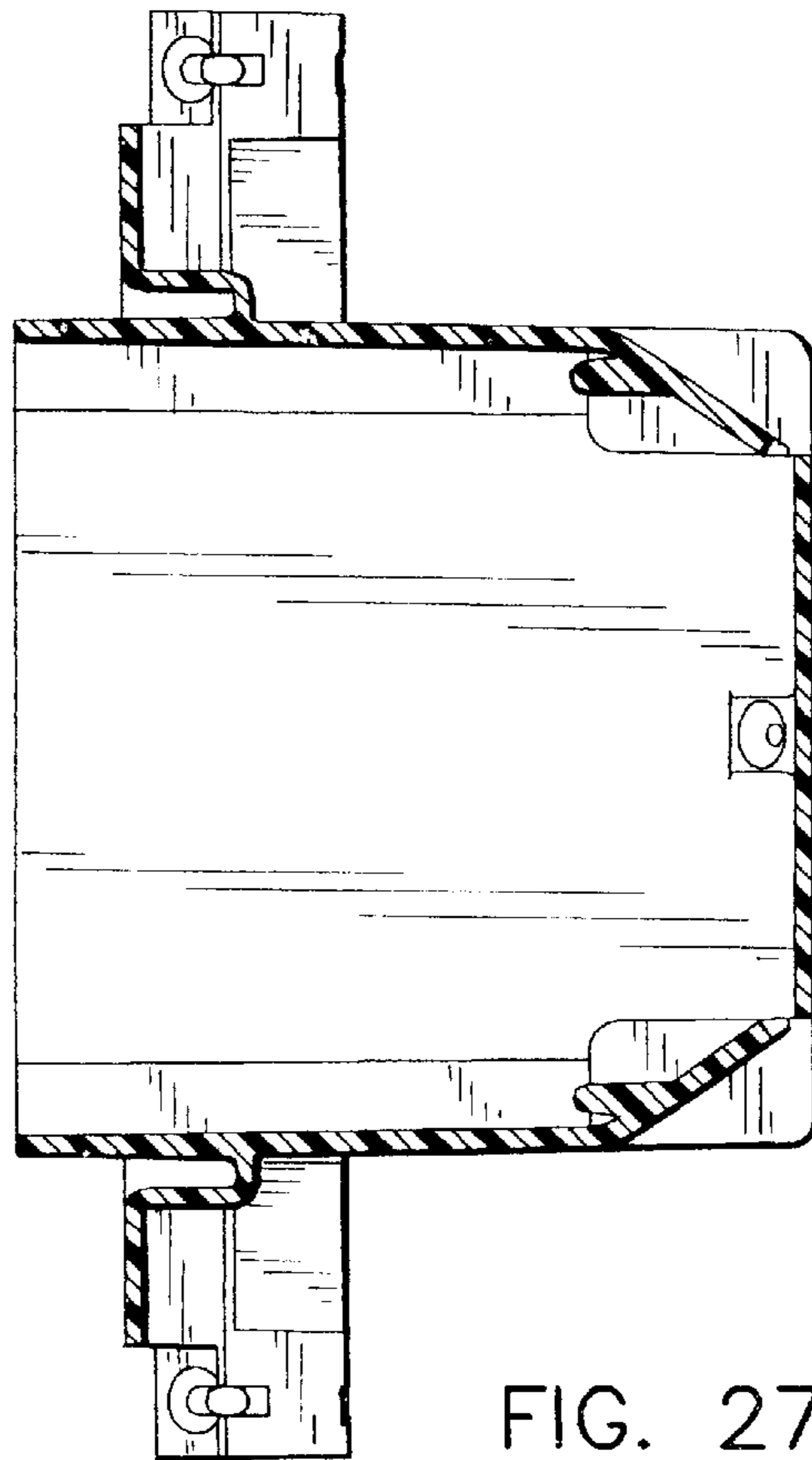


FIG. 27

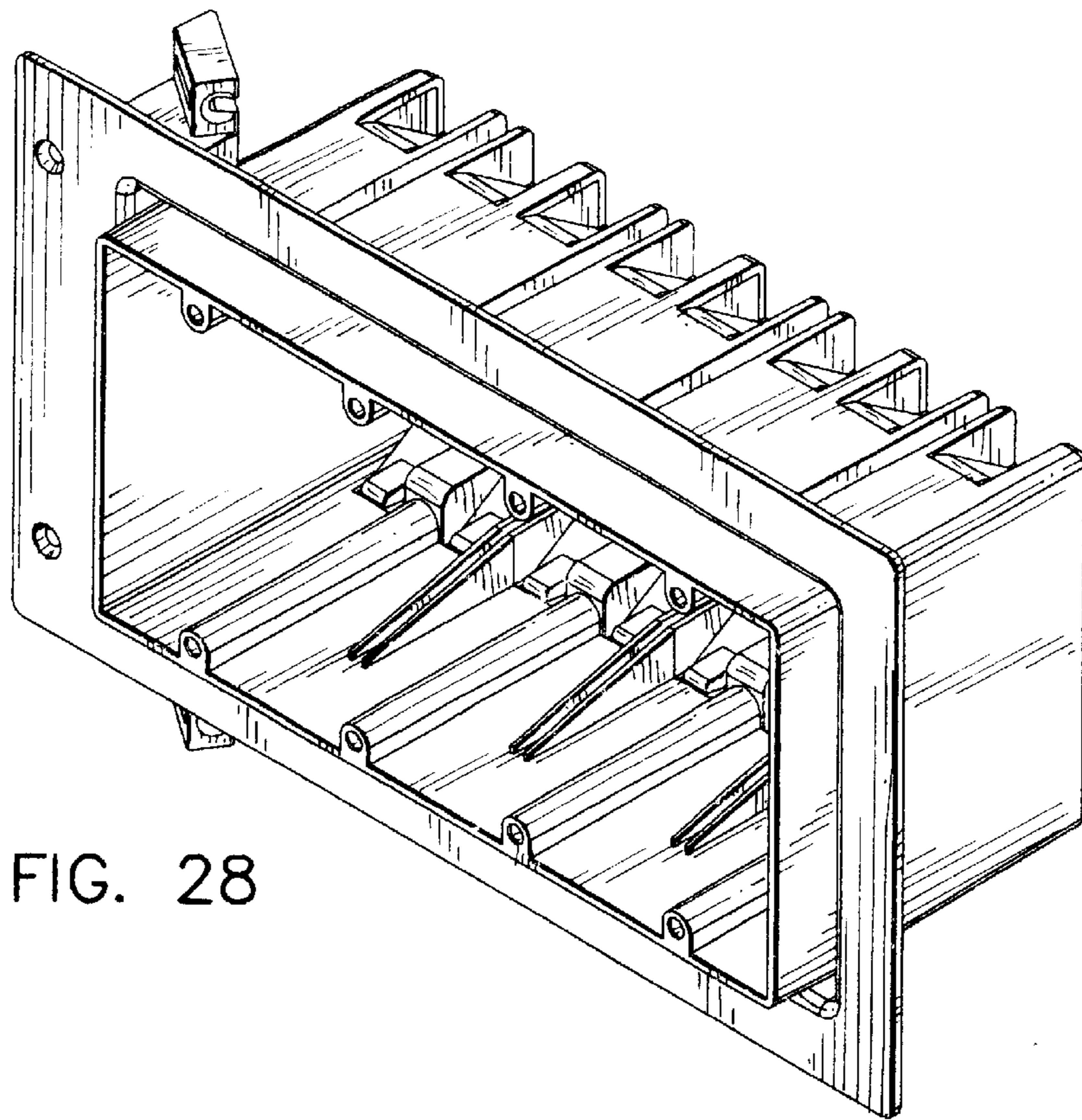


FIG. 28

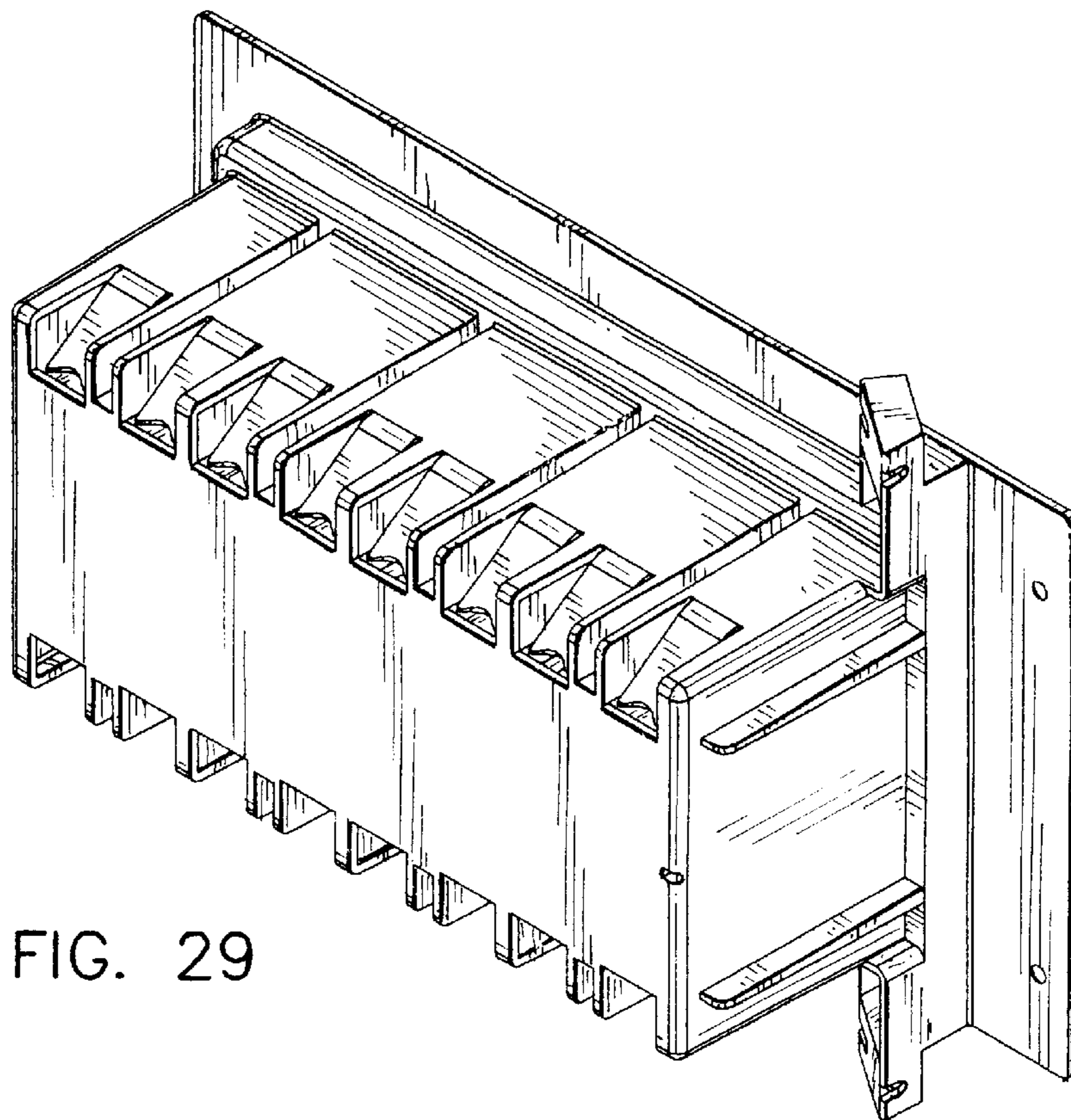


FIG. 29

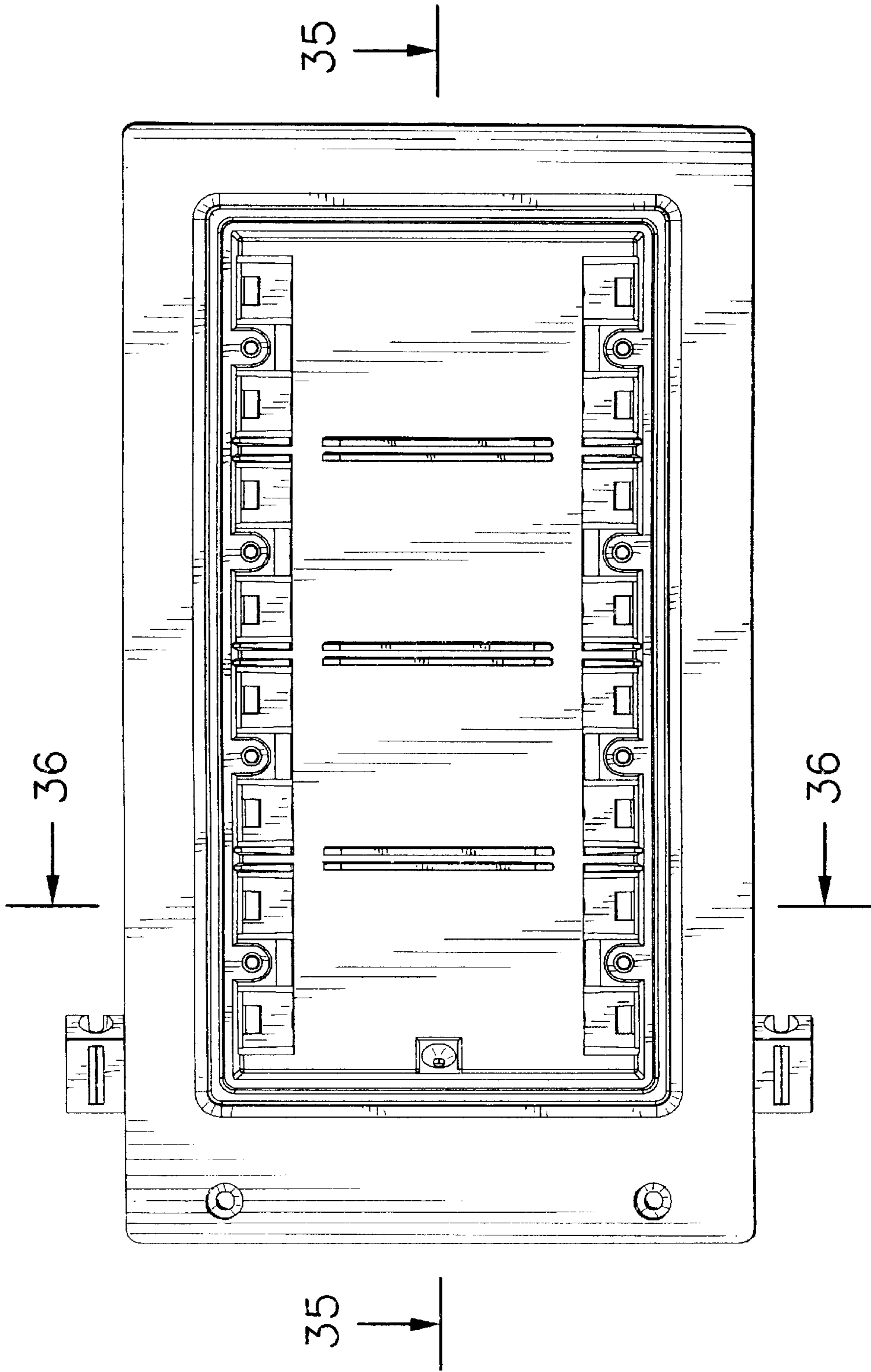


FIG. 30

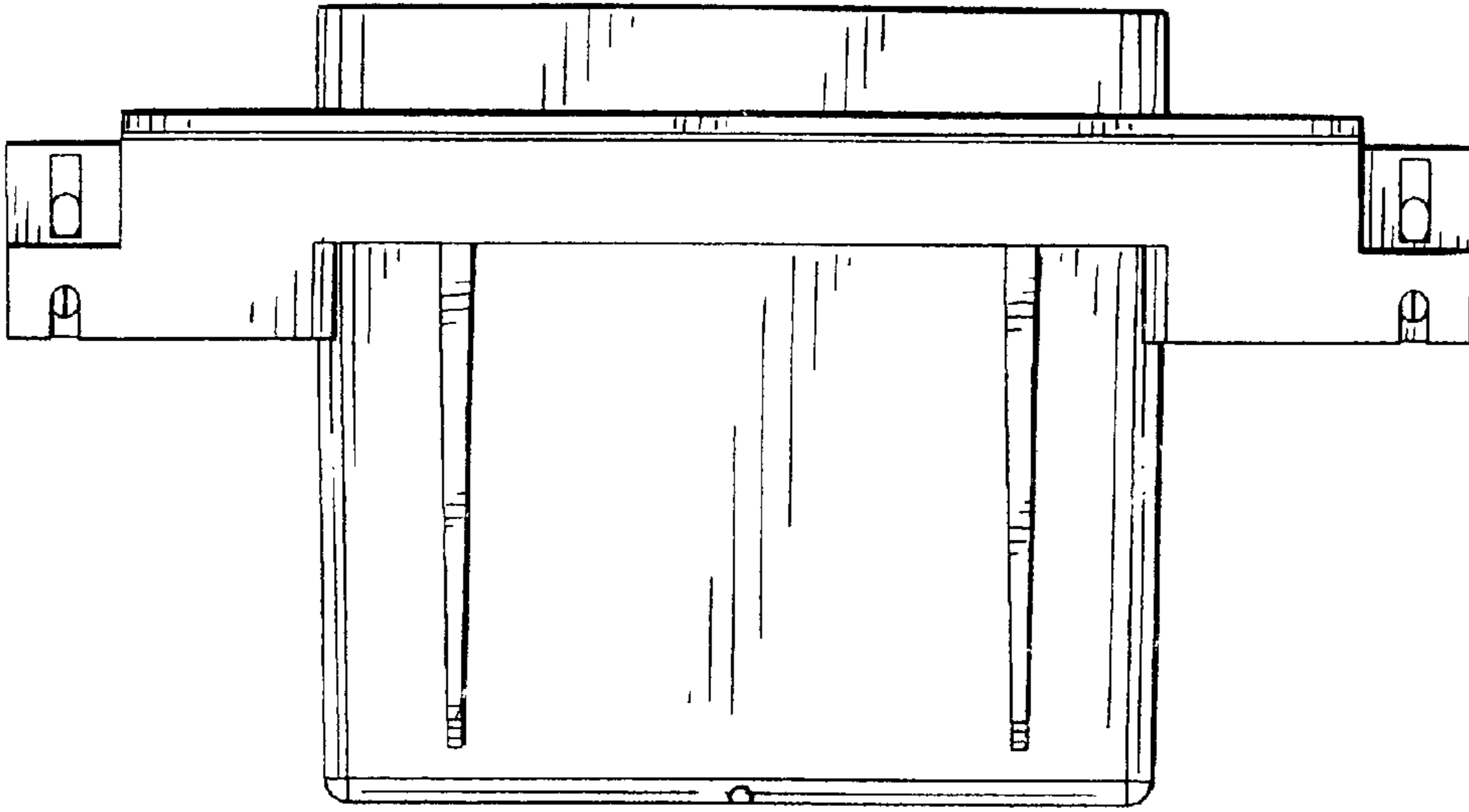


FIG. 31

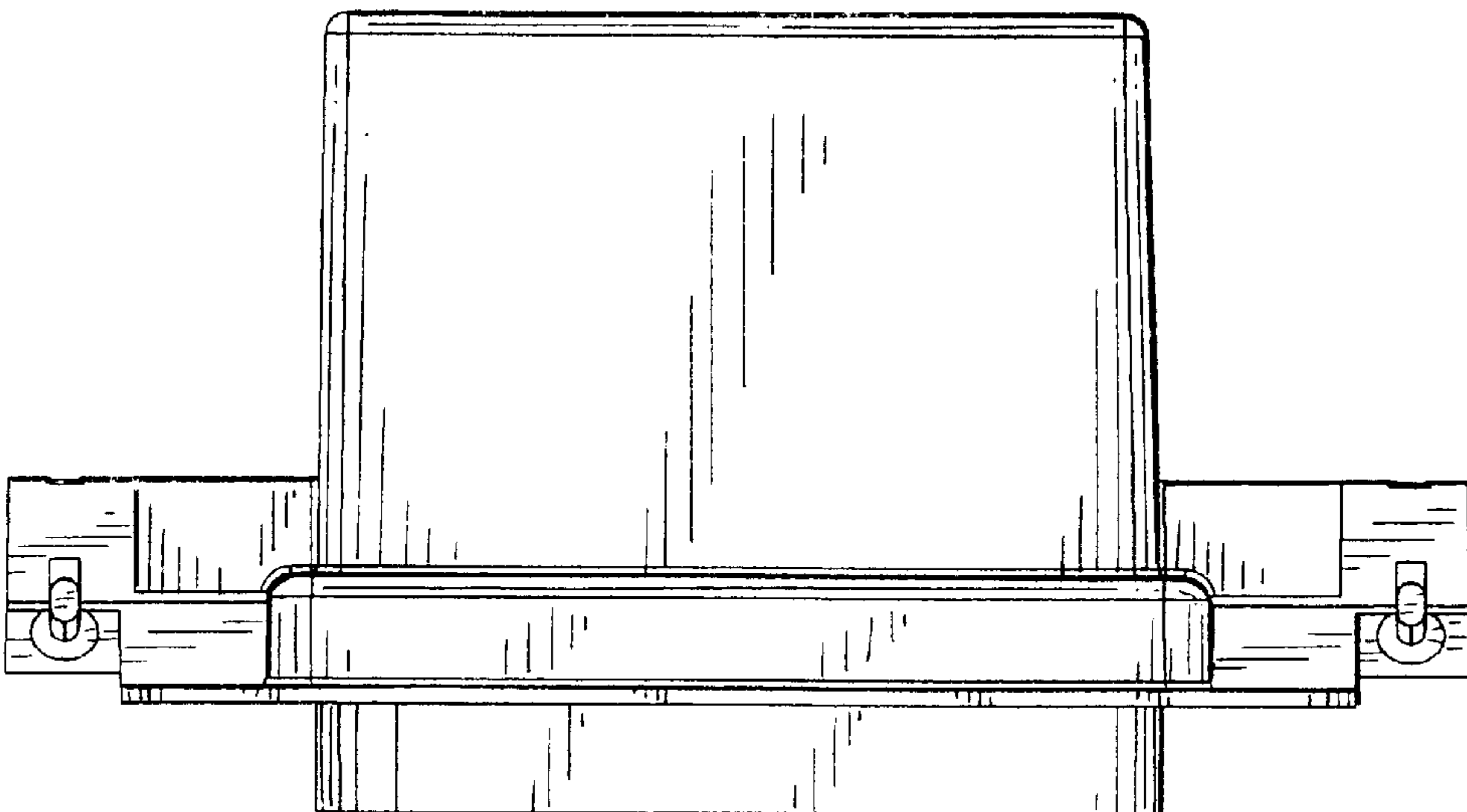


FIG. 32

FIG. 33

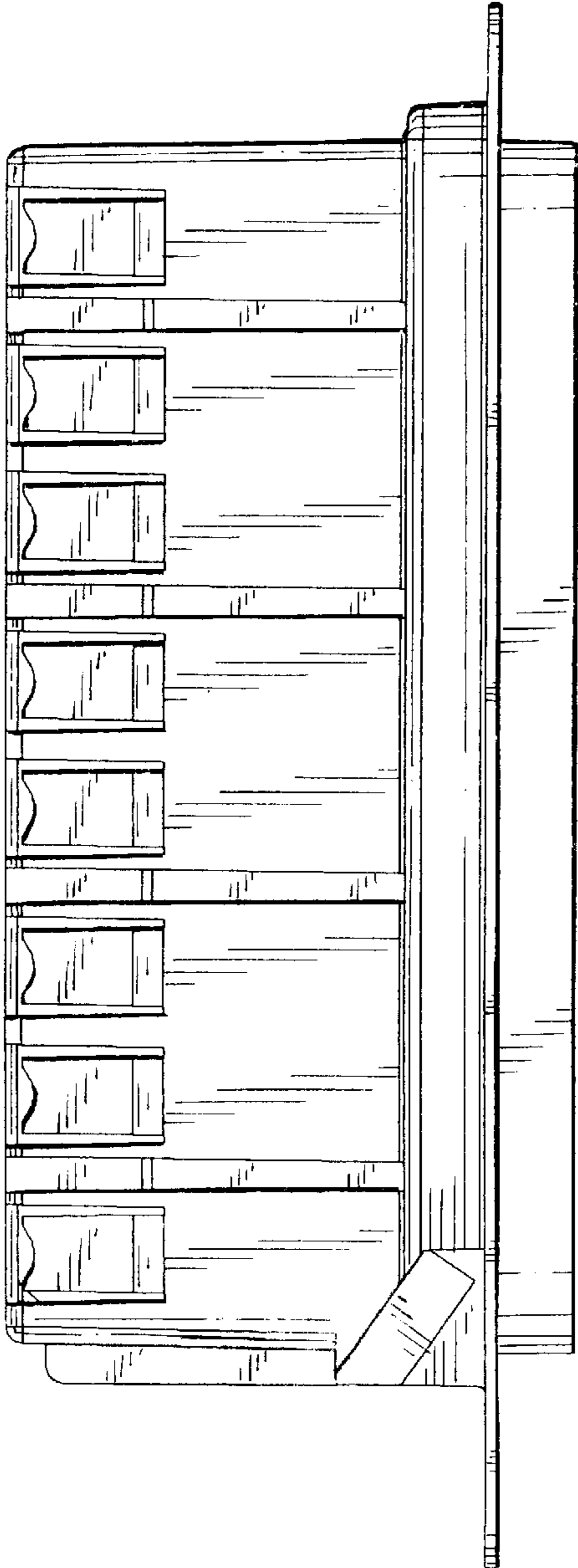
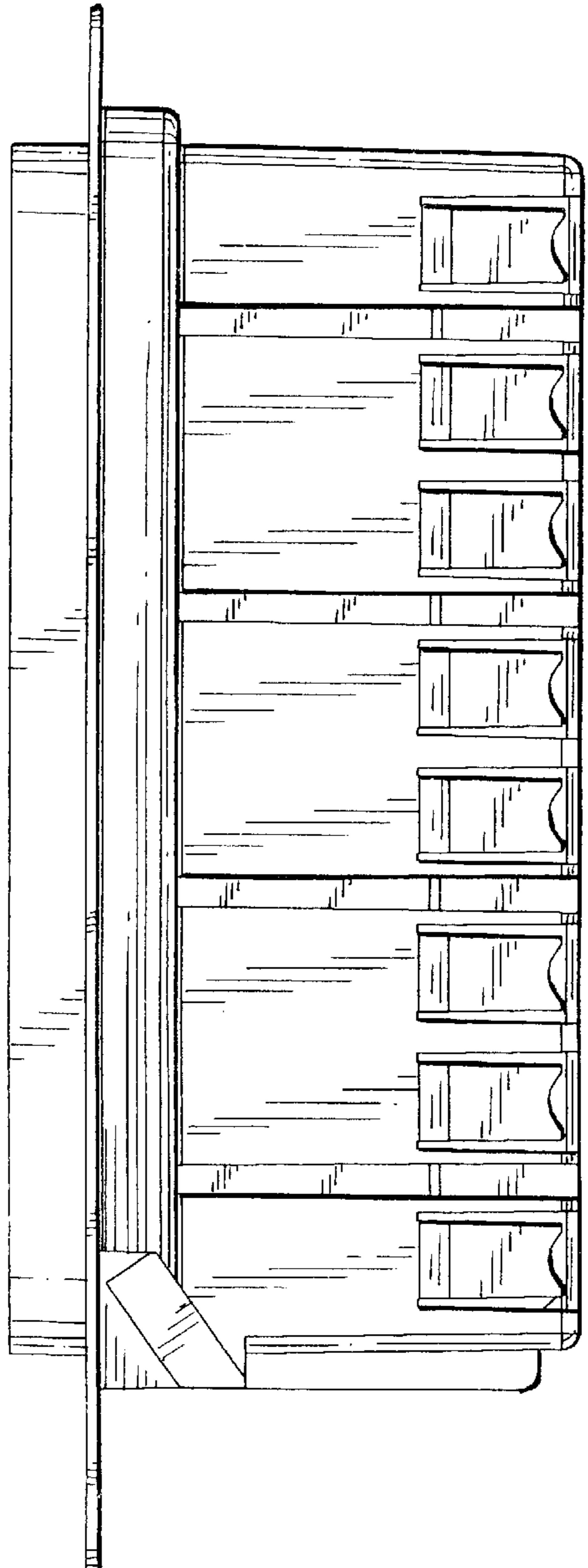


FIG. 34



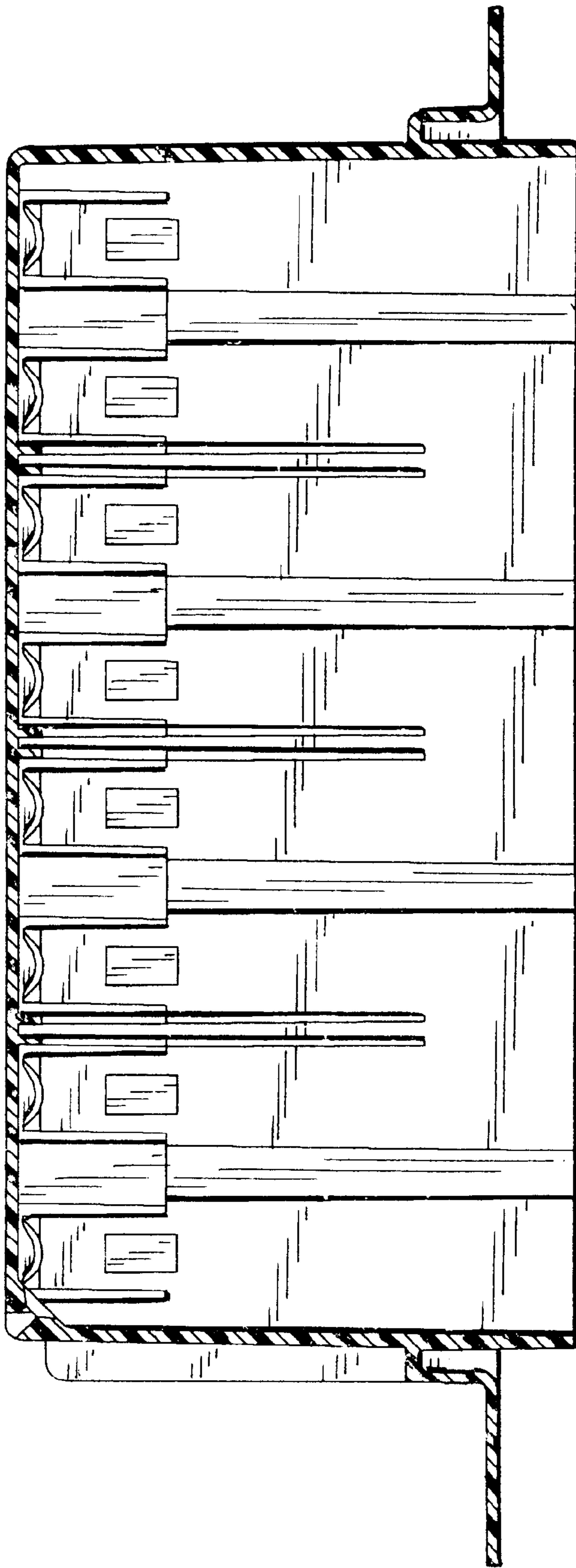


FIG. 35

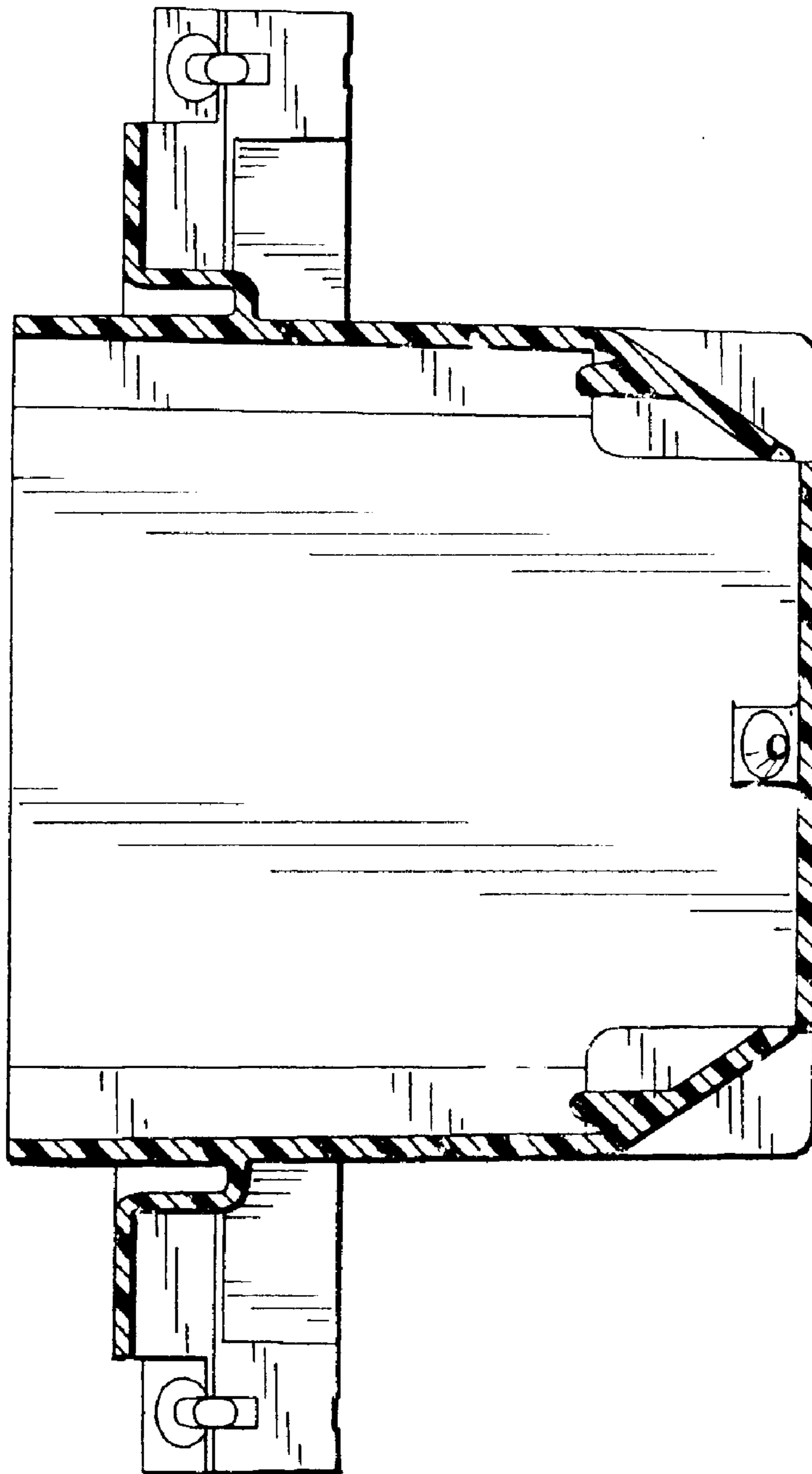


FIG. 36