



US00D467225S

(12) **United States Design Patent**
Sudo

(10) **Patent No.:** **US D467,225 S**

(45) **Date of Patent:** **** Dec. 17, 2002**

(54) **PORTABLE SOLAR POWER GENERATOR**

5,792,279 A * 8/1998 Tsuboi et al. 136/245
5,818,946 A * 10/1998 Walter 136/291 X

(76) Inventor: **Makoto Sudo**, #301 Al Plaza
Toyamadai 1-15 Toyama, Shinjuku-ku,
Tokyo 162-0052 (JP)

* cited by examiner

(**) Term: **14 Years**

Primary Examiner—Joel Sincavage
(74) *Attorney, Agent, or Firm*—Armstrong, Westerman &
Hattori, LLP

(21) Appl. No.: **29/132,843**

(57) **CLAIM**

(22) Filed: **Nov. 17, 2000**

The ornamental design for a portable solar power generator,
as shown and described.

(30) **Foreign Application Priority Data**

May 19, 2000 (JP) 2000-013243

DESCRIPTION

(51) **LOC (7) Cl.** **13-02**

FIG. 1 is a plan view of the portable solar power generator
showing my new design;

(52) **U.S. Cl.** **D13/102; D13/110**

FIG. 2 is a left side elevation view thereof;

(58) **Field of Search** D13/102, 110;

FIG. 3 is a right side elevation view thereof;

320/101; 136/245, 251, 291

FIG. 4 is a front elevation view thereof;

FIG. 5 is a rear elevation view thereof;

(56) **References Cited**

U.S. PATENT DOCUMENTS

4,808,904 A * 2/1989 Ricaud et al. 320/101
D311,722 S * 10/1990 Cheng D13/102
5,522,943 A * 6/1996 Spencer et al. 136/245
5,701,067 A * 12/1997 Kaji et al. 320/101

FIG. 6 is a bottom plan view thereof; and,

FIG. 7 is a perspective view thereof. The broken lines shown
in FIG. 7 indicate an optional AAA adapter and do not form
a part of the basic design.

1 Claim, 5 Drawing Sheets

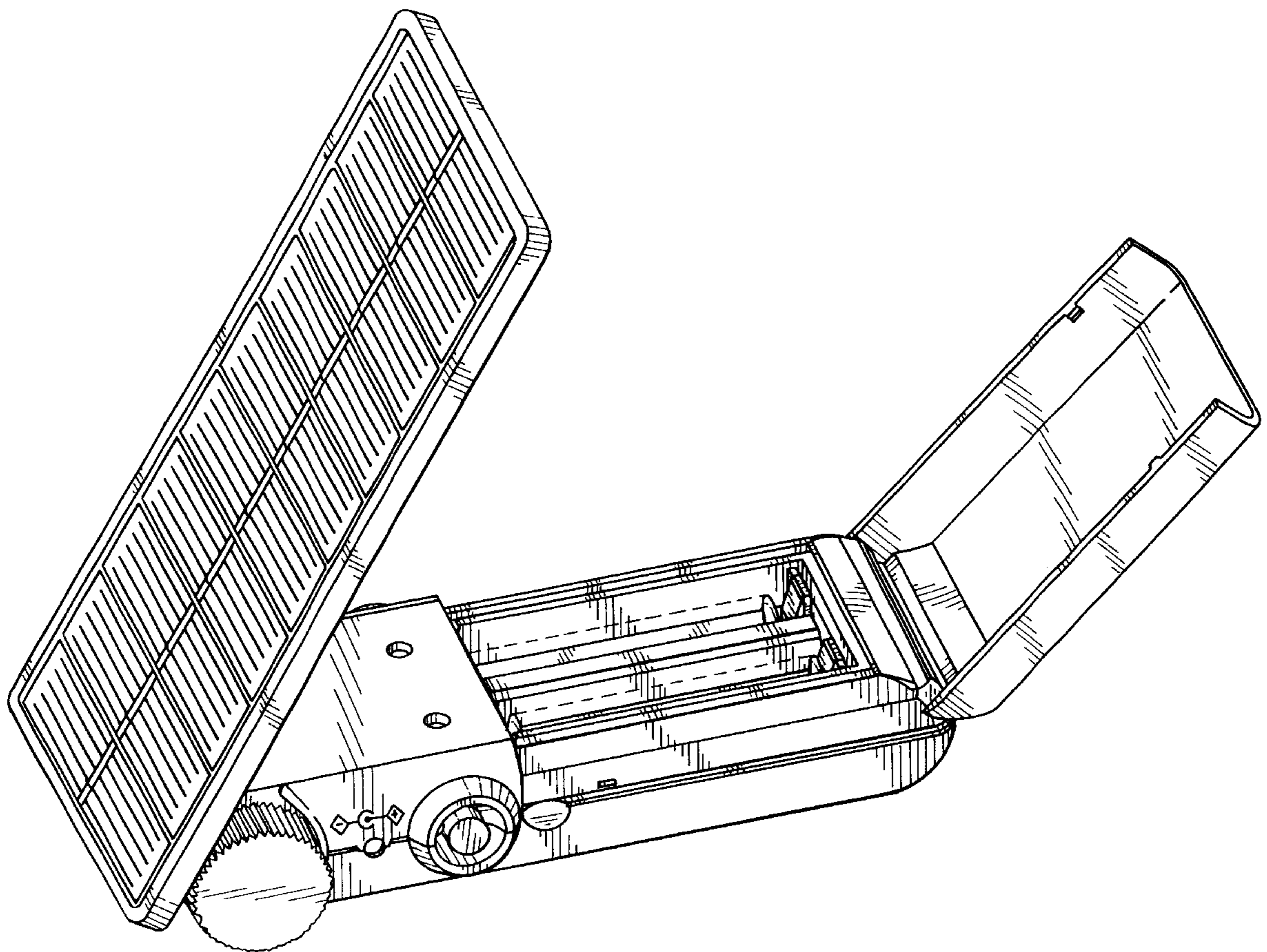


Fig. 1

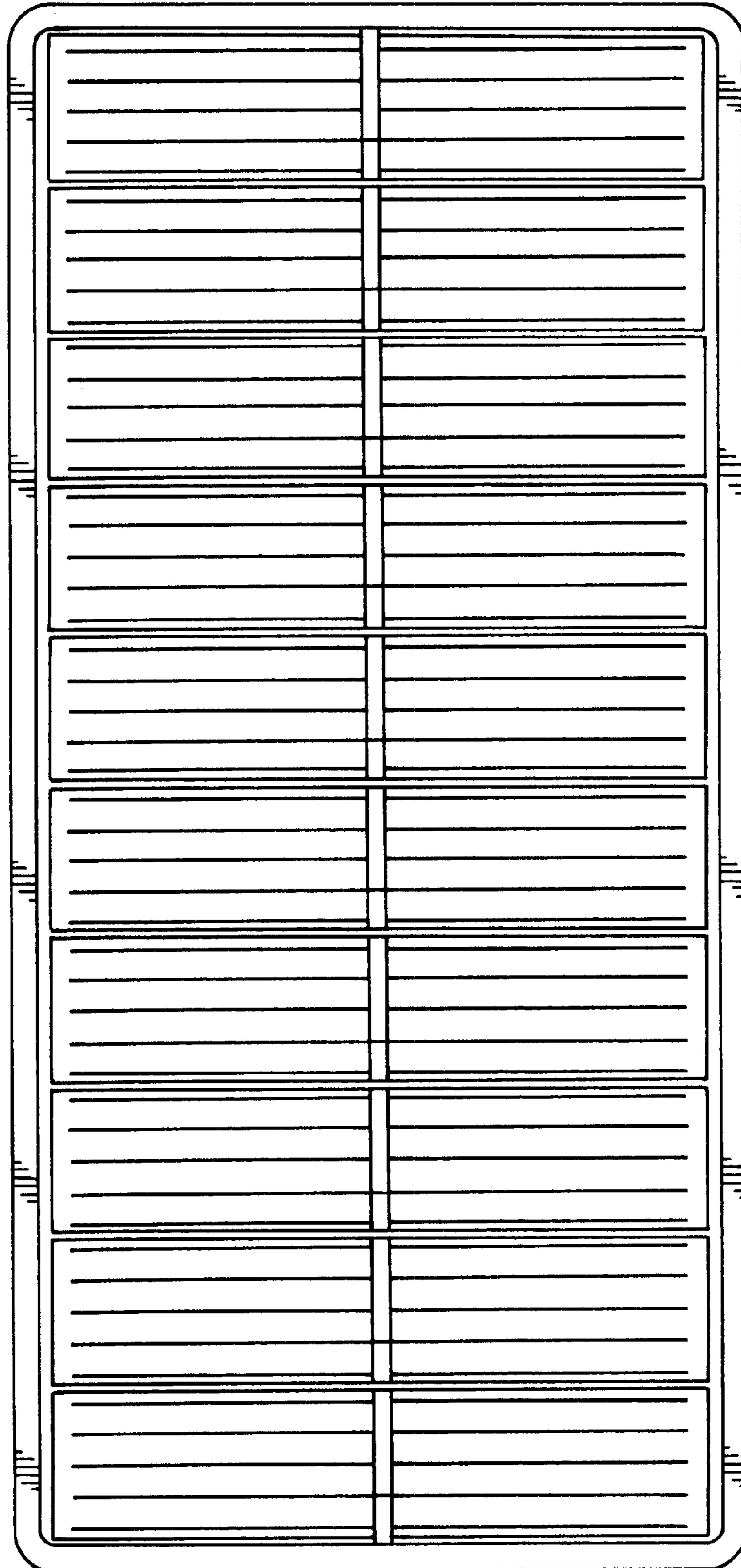


Fig.2

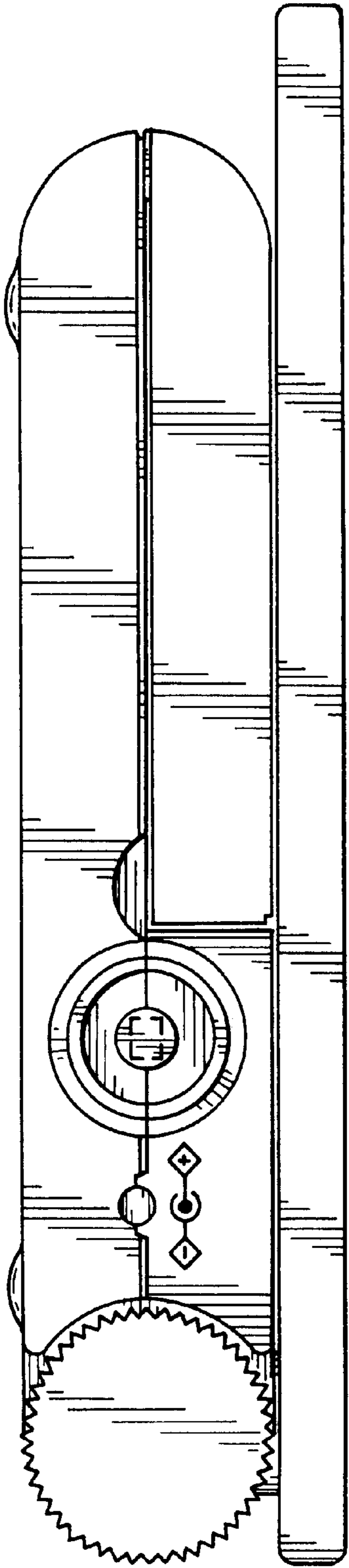
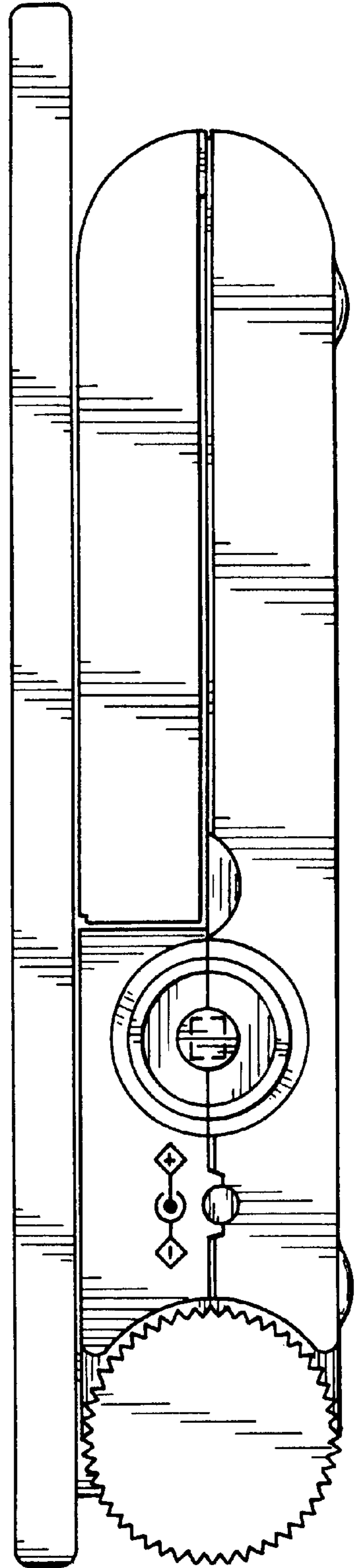


Fig.3



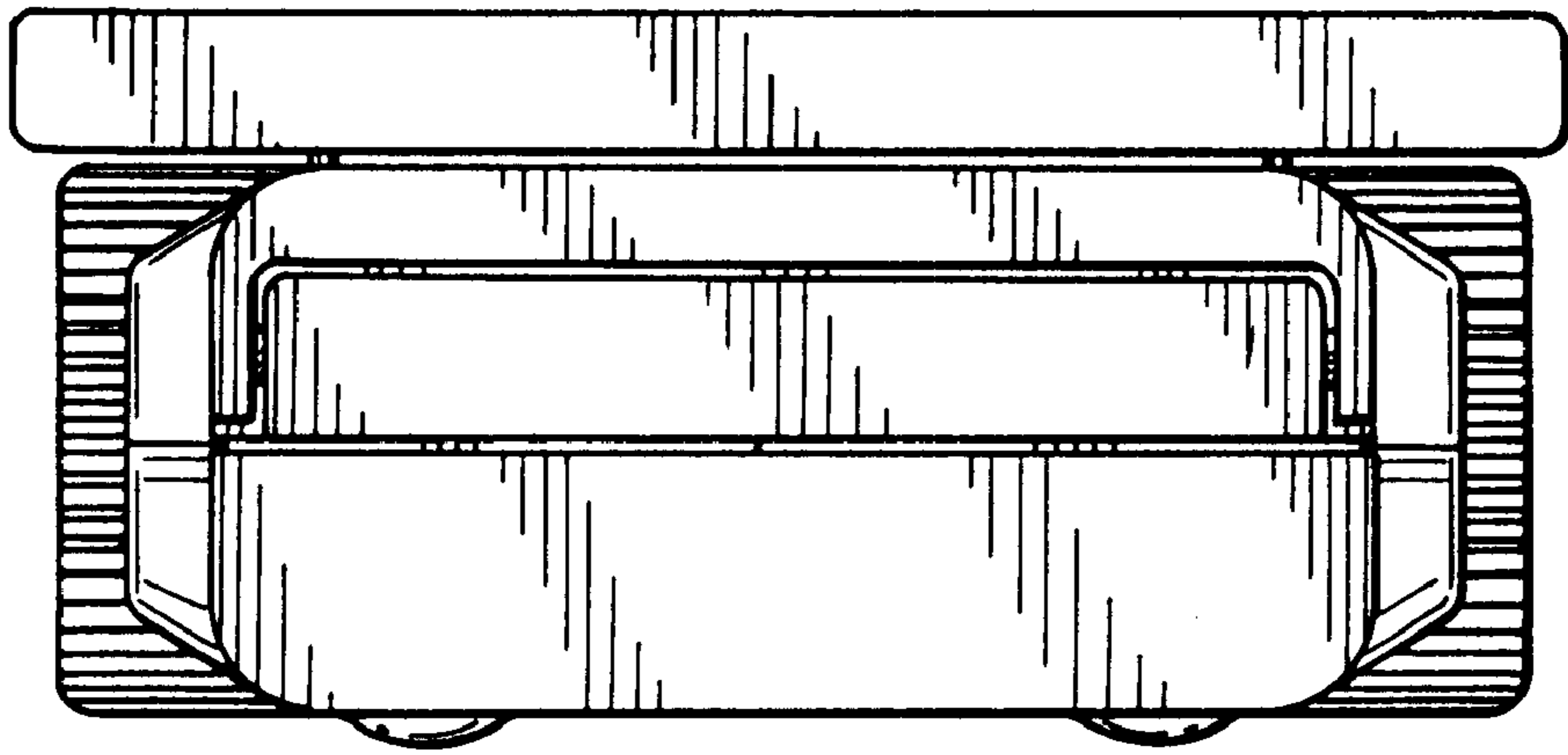


Fig.4

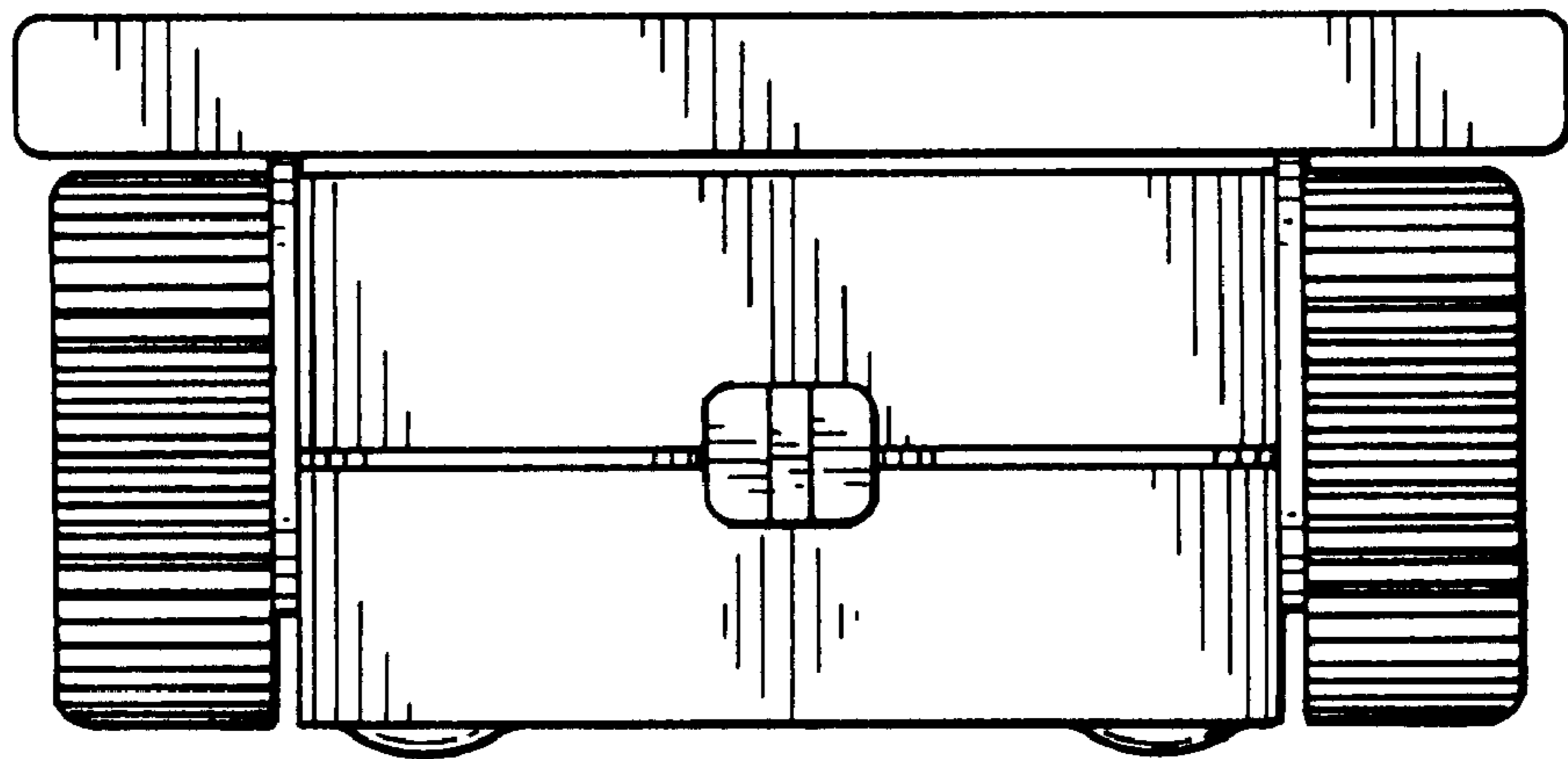
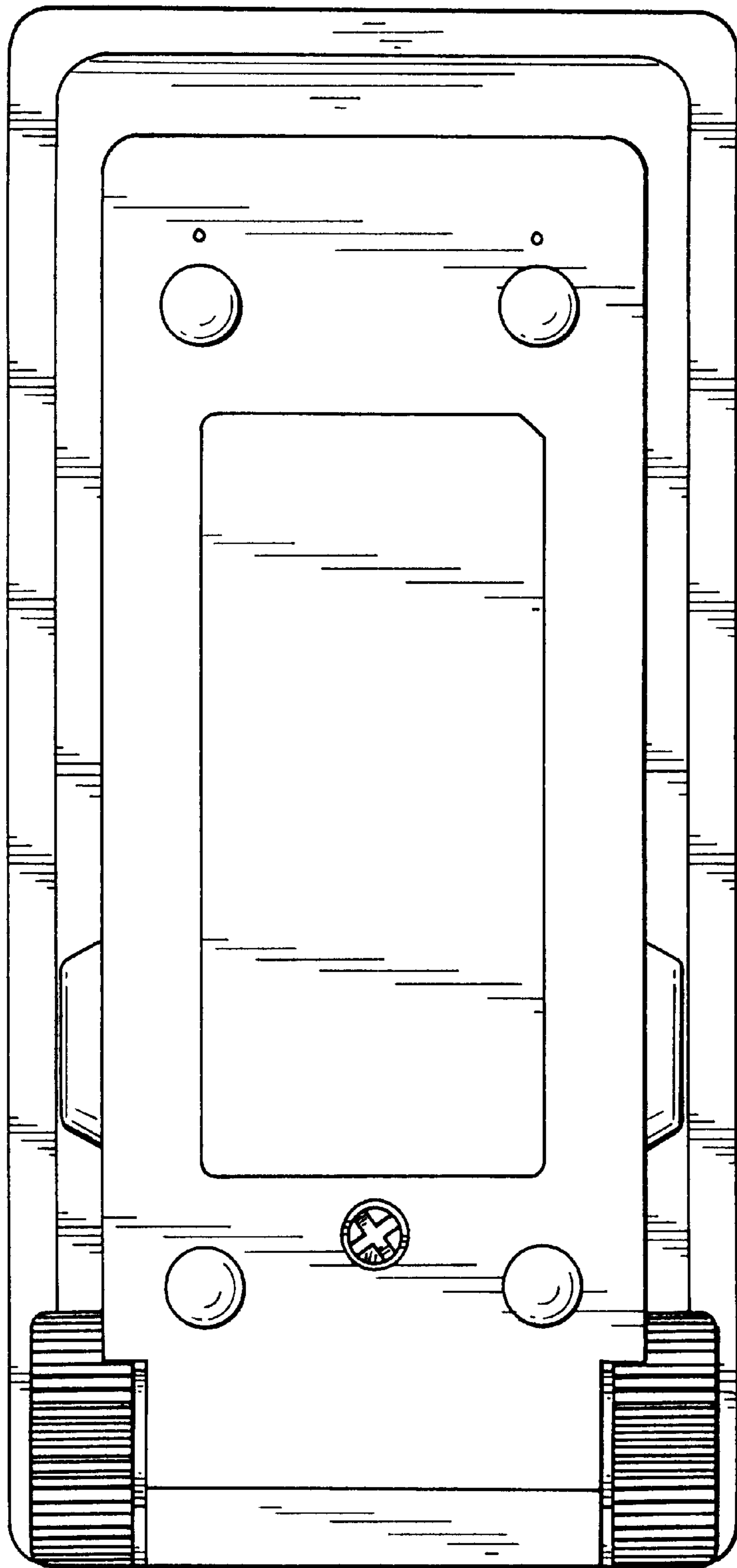


Fig.5

Fig.6



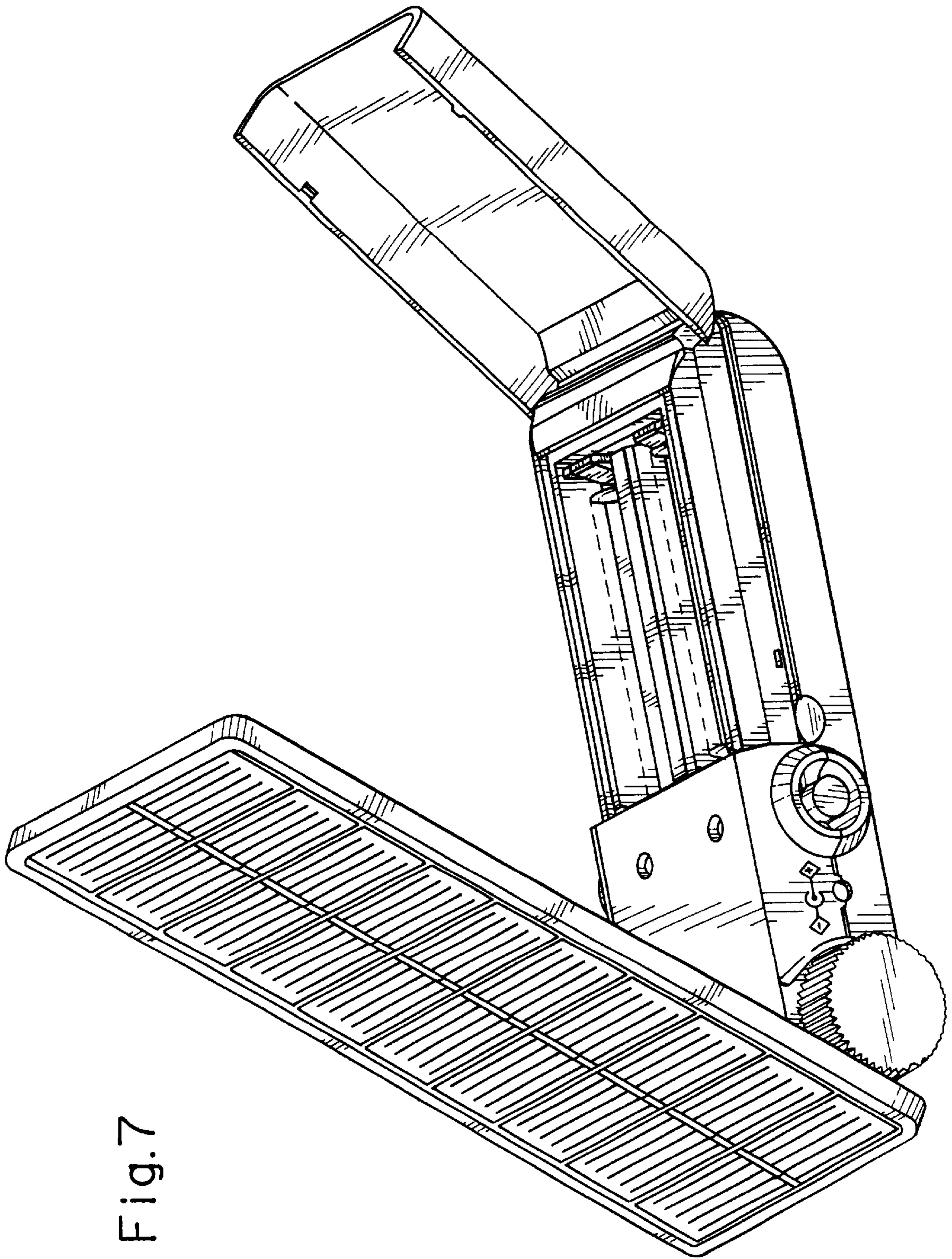


Fig.7

UNITED STATES PATENT AND TRADEMARK OFFICE
CERTIFICATE OF CORRECTION

PATENT NO. : Des. 467,225 S
DATED : December 17, 2002
INVENTOR(S) : Makoto Sudo

Page 1 of 1

It is certified that error appears in the above-identified patent and that said Letters Patent is hereby corrected as shown below:

Title page,

Item [76], the inventor's address should read as follows:

-- Flat A, 32nd Floor, Tregunter Tower 1,14
Tregunter Path, Hong Kong --

Signed and Sealed this

Third Day of June, 2003

A handwritten signature in black ink, appearing to read "James E. Rogan", with a thick horizontal line underneath.

JAMES E. ROGAN
Director of the United States Patent and Trademark Office