



US00D467221S

(12) **United States Design Patent**
Walstrom et al.

(10) **Patent No.:** **US D467,221 S**
(45) **Date of Patent:** **** Dec. 17, 2002**

(54) **MOUNTING SUPPORT FOR VERTICAL BICYCLE RACK**

4,915,276 A 4/1990 Devito
4,950,010 A 8/1990 Denny
5,215,234 A 6/1993 Pasley
D393,621 S * 4/1998 Gregory D12/408

(75) Inventors: **Todd R. Walstrom**, Ringle, WI (US);
Joseph J. Peschmann, Plover, WI (US)

* cited by examiner

(73) Assignee: **Fulton Performance Products, Inc.**,
Mosinee, WI (US)

Primary Examiner—Alan P. Douglas

Assistant Examiner—Linda Brooks

(**) Term: **14 Years**

(74) *Attorney, Agent, or Firm*—King & Schickli, PLLC

(21) Appl. No.: **29/149,084**

(22) Filed: **Oct. 2, 2001**

(57) **CLAIM**

The ornamental design for a mounting support for vertical bicycle rack, as shown and described.

(51) **LOC (7) Cl.** **12-16**

DESCRIPTION

(52) **U.S. Cl.** **D12/408**

(58) **Field of Search** D12/115, 114,
D12/407, 408; D8/373, 376, 380, 381;
224/400, 495, 496, 497, 502, 536, 924,
402-405, 488, 489, 309-311; 211/17-22,
113, 123; 248/201, 214, 218.4, 239, 251,
317

FIG. 1 is a perspective view of the mounting support for vertical bicycle rack of the present invention;
FIG. 2 is an enlarged front elevational view thereof;
FIG. 3 is an enlarged right side elevational view, the left side elevational view being a mirror image thereof;
FIG. 4 is an enlarged rear elevational view thereof;
FIG. 5 is an enlarged top plan view thereof; and,
FIG. 6 is an enlarged bottom plan view thereof.

The broken lines shown are for illustrative purposes only and form no part of the claimed design.

(56) **References Cited**

U.S. PATENT DOCUMENTS

D242,899 S * 1/1977 Barber D8/380

1 Claim, 3 Drawing Sheets

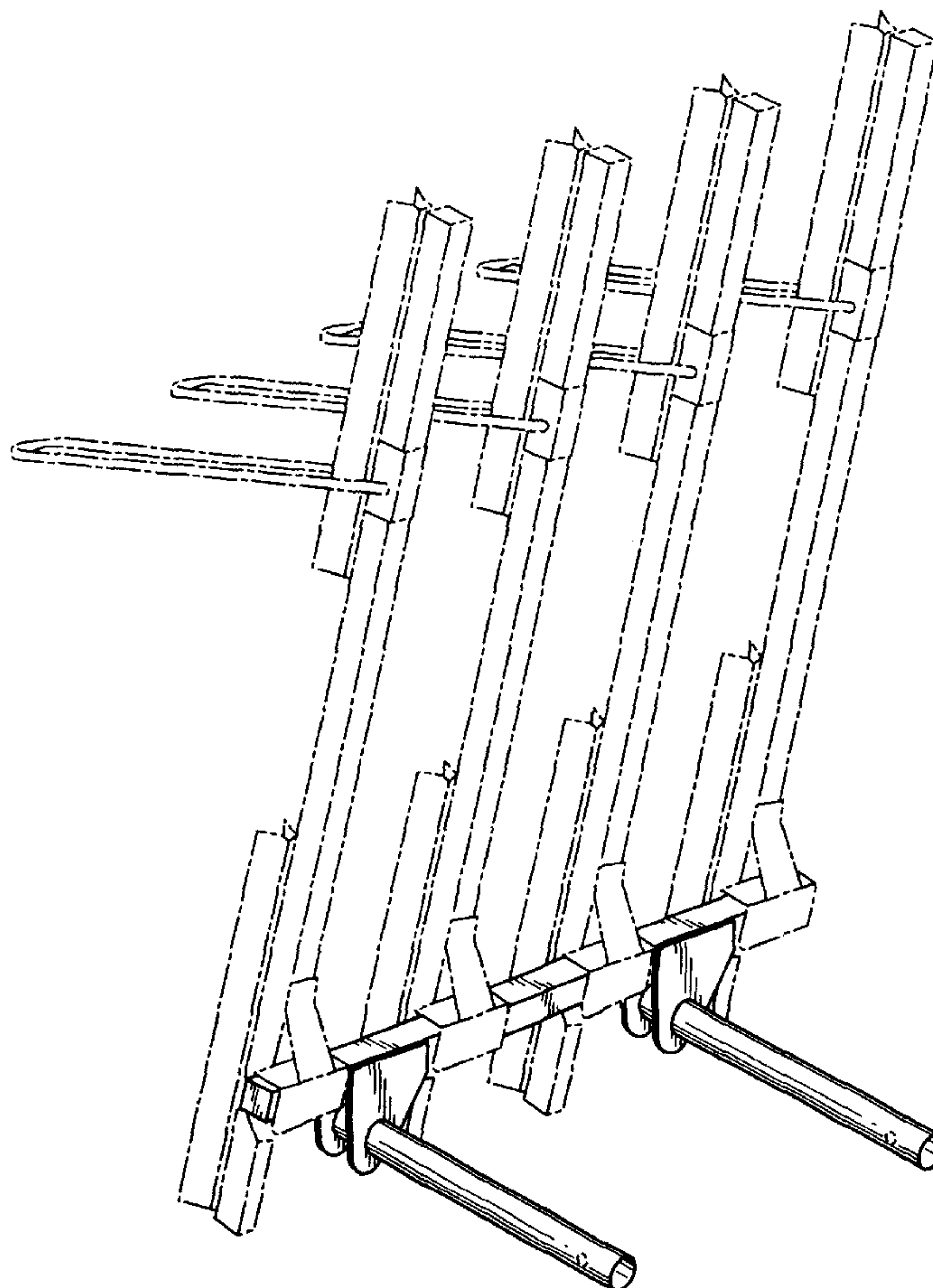


FIG. 1

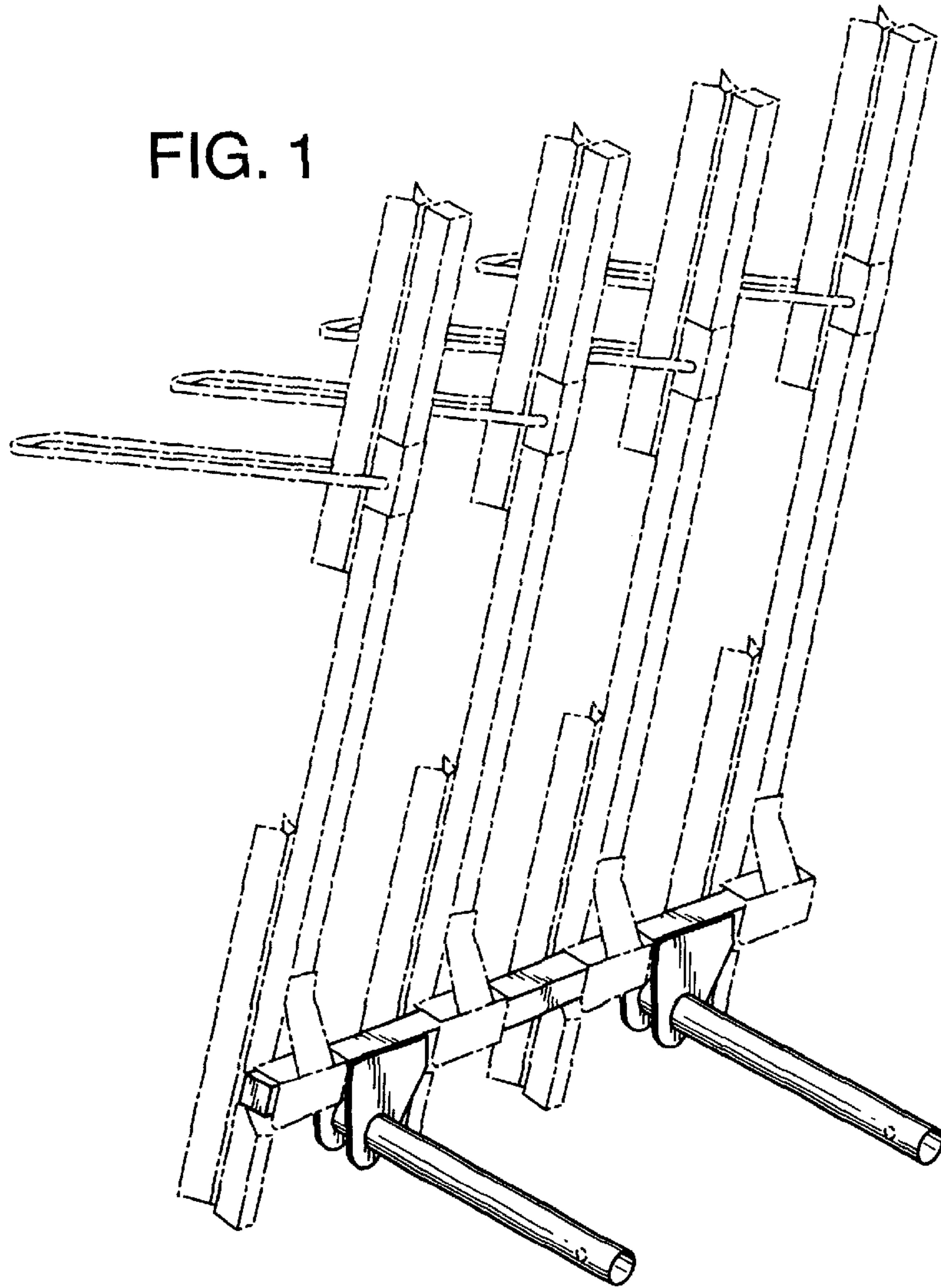


FIG. 2

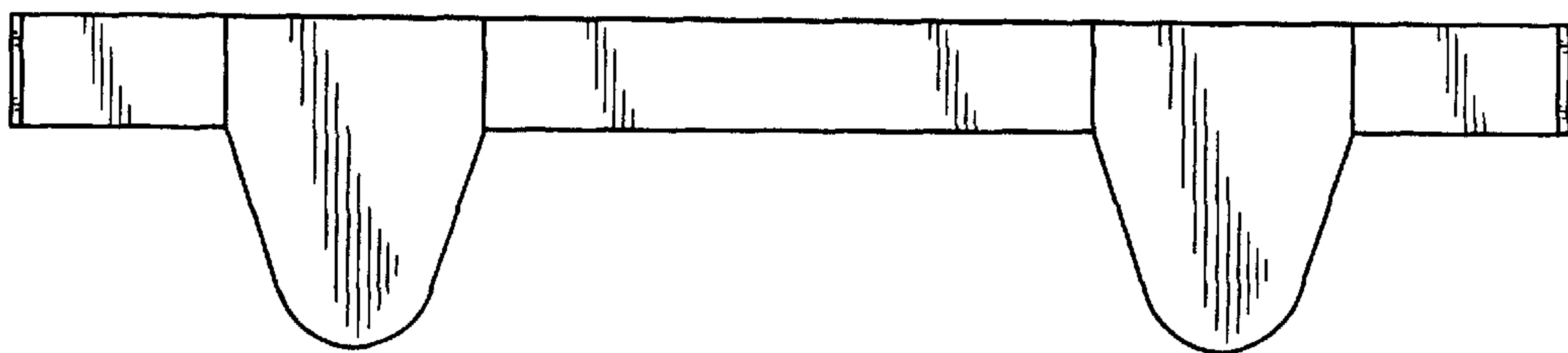


FIG. 3

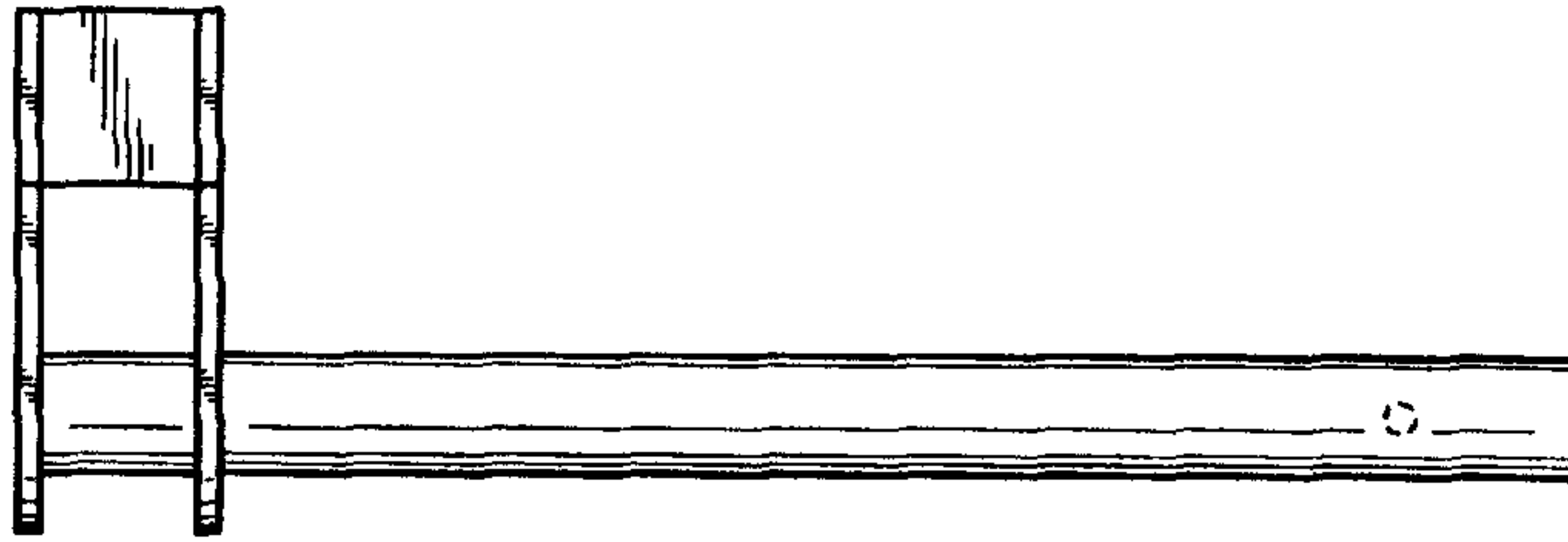
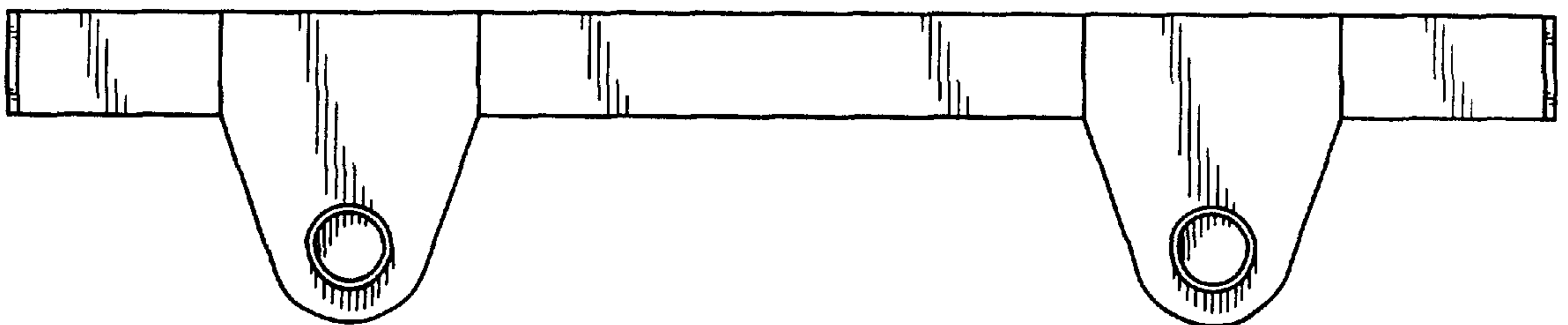


FIG. 4



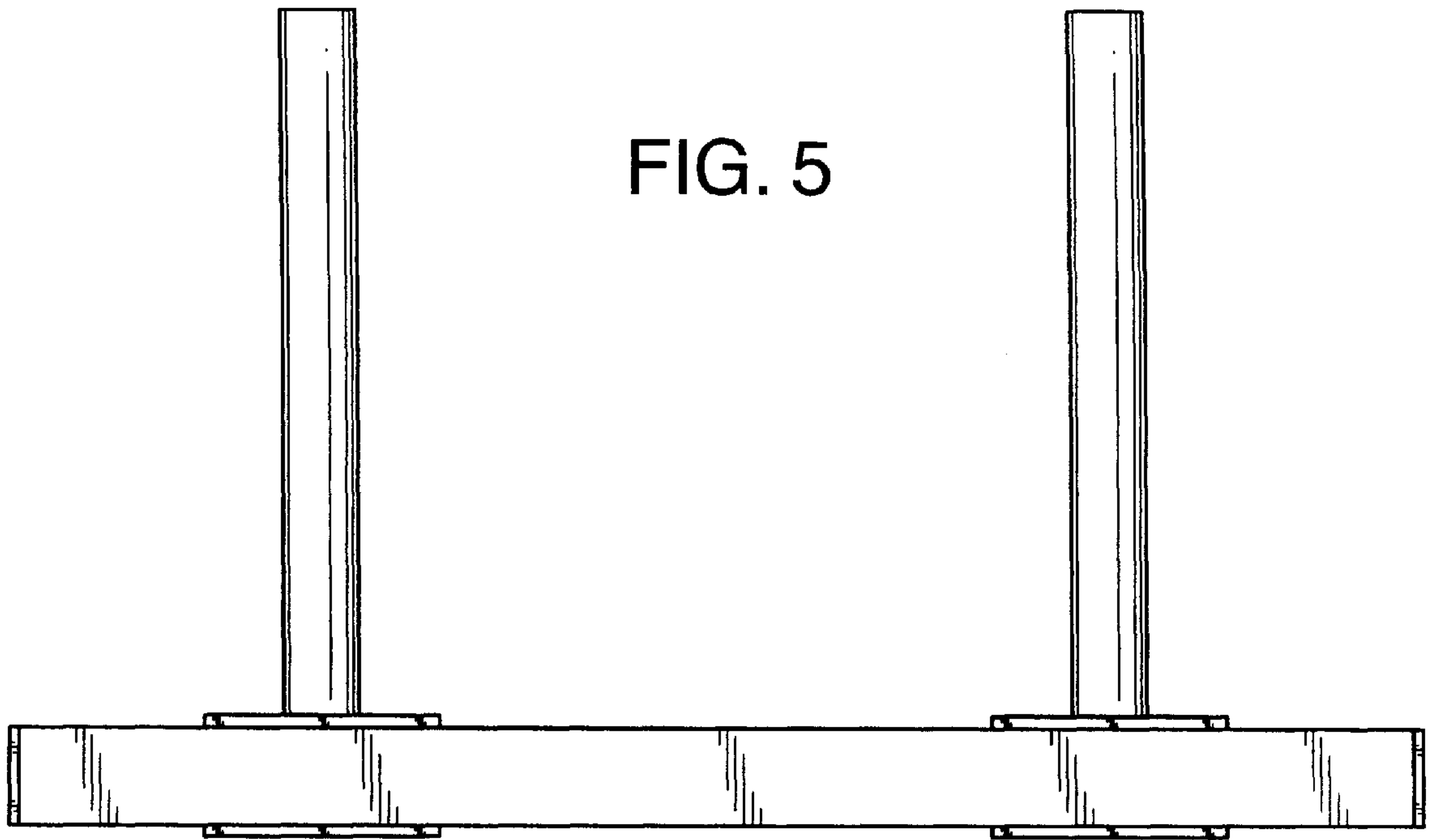


FIG. 5

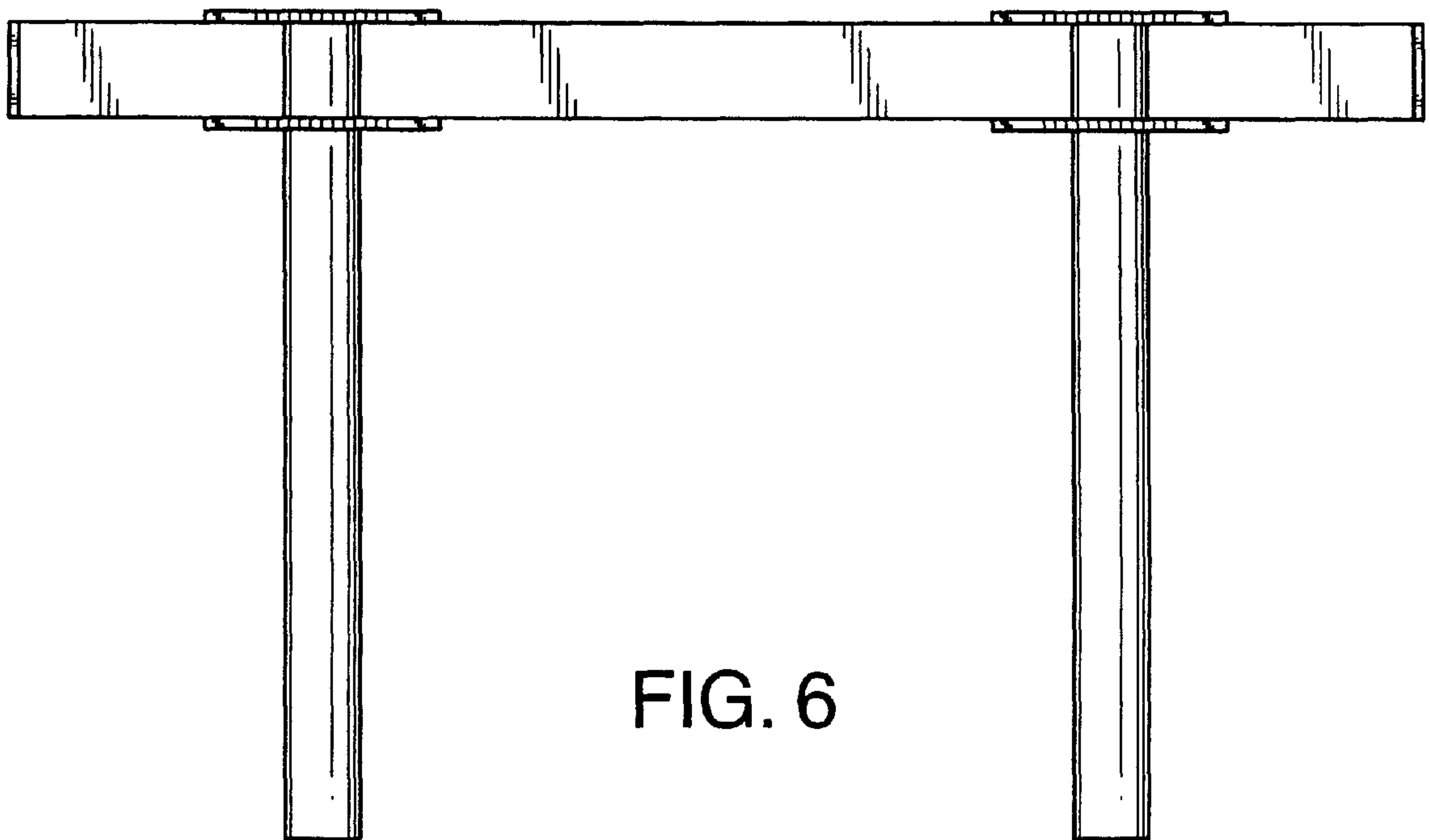


FIG. 6