



US00D467220S

(12) **United States Design Patent**
Walstrom et al.

(10) **Patent No.:** **US D467,220 S**
(45) **Date of Patent:** **** Dec. 17, 2002**

(54) **BICYCLE RACK HOLDER FOR VERTICAL BICYCLE RACK**

(75) Inventors: **Todd R. Walstrom**, Ringle, WI (US);
Joseph J. Peschmann, Plover, WI (US)

(73) Assignee: **Fulton Performance Products, Inc.**,
Mosinee, WI (US)

(**) Term: **14 Years**

(21) Appl. No.: **29/149,083**

(22) Filed: **Oct. 2, 2001**

(51) **LOC (7) Cl.** **12-16**

(52) **U.S. Cl.** **D12/408**

(58) **Field of Search** D12/408, 412;
224/402-405, 488, 489, 495-497, 309-311,
502-536, 924; 211/17-22; 414/462

(56) **References Cited**

U.S. PATENT DOCUMENTS

- 5,884,826 A 3/1999 Shaver
- D410,891 S * 6/1999 Adams et al. D12/408
- 6,126,053 A 10/2000 Shaver

OTHER PUBLICATIONS

U.S. Utility patent application Ser. No. 09/820,046, filed Mar. 28, 2001, "Vehicle Hitch-Mounted Bicycle Carrier".

* cited by examiner

Primary Examiner—Alan P. Douglas

Assistant Examiner—Linda Brooks

(74) *Attorney, Agent, or Firm*—King & Schickli, PLLC

(57) **CLAIM**

The ornamental design for a bicycle rack holder for vertical bicycle rack, as shown and described.

DESCRIPTION

FIG. 1 is a perspective view of the bicycle rack holder for vertical bicycle rack of the present invention; FIG. 2 is a front elevational view thereof; FIG. 3 is a right side elevational view, the left side elevational view being a mirror image thereof; FIG. 4 is a rear elevational view thereof; FIG. 5 is a top plan view thereof; and, FIG. 6 is a bottom plan view thereof.

1 Claim, 3 Drawing Sheets

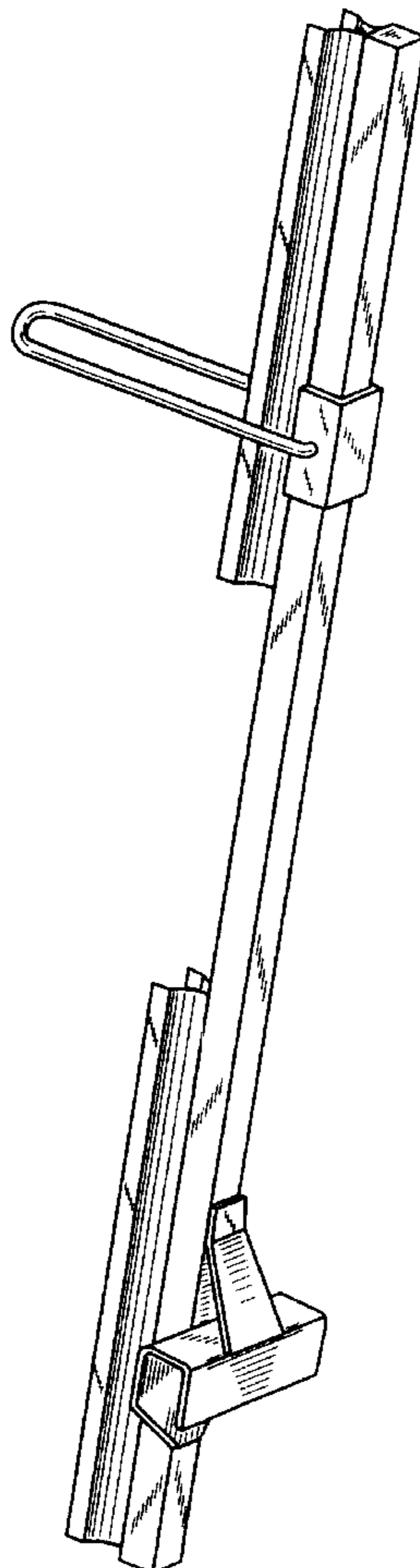


FIG. 1

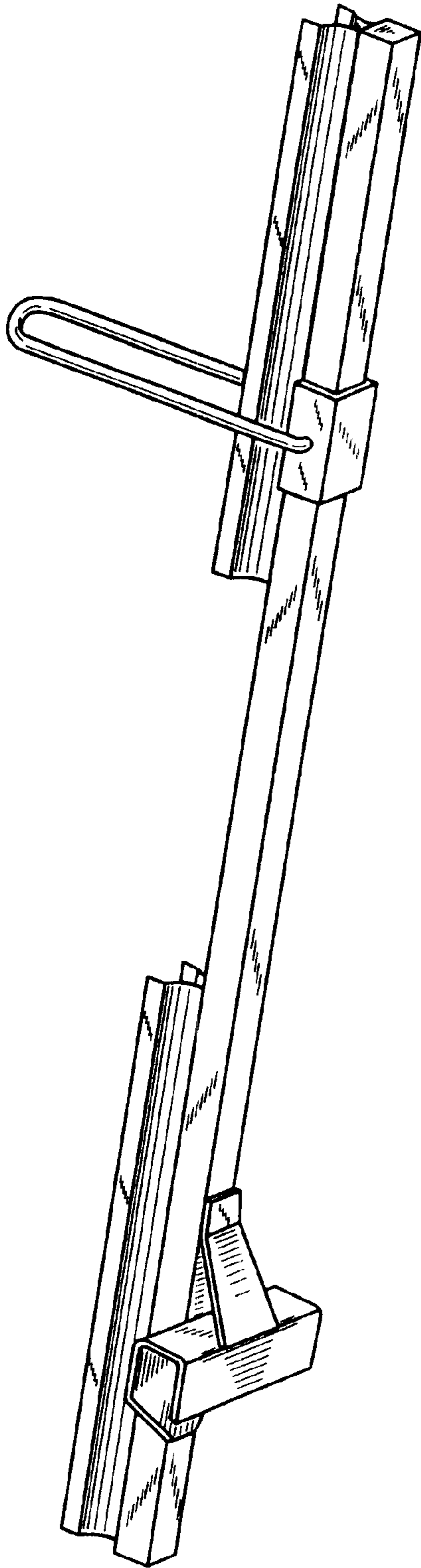


FIG. 2

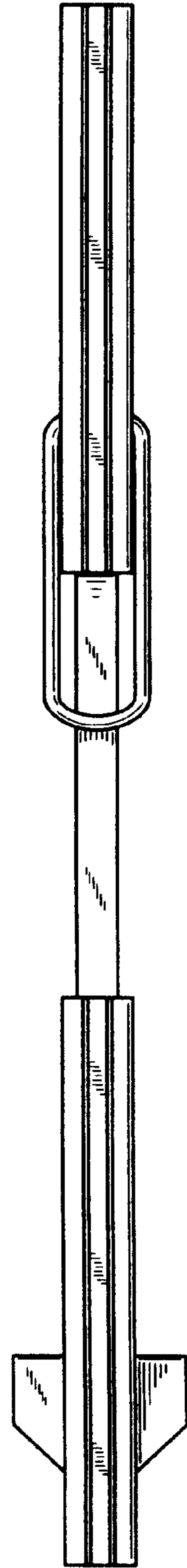


FIG. 3

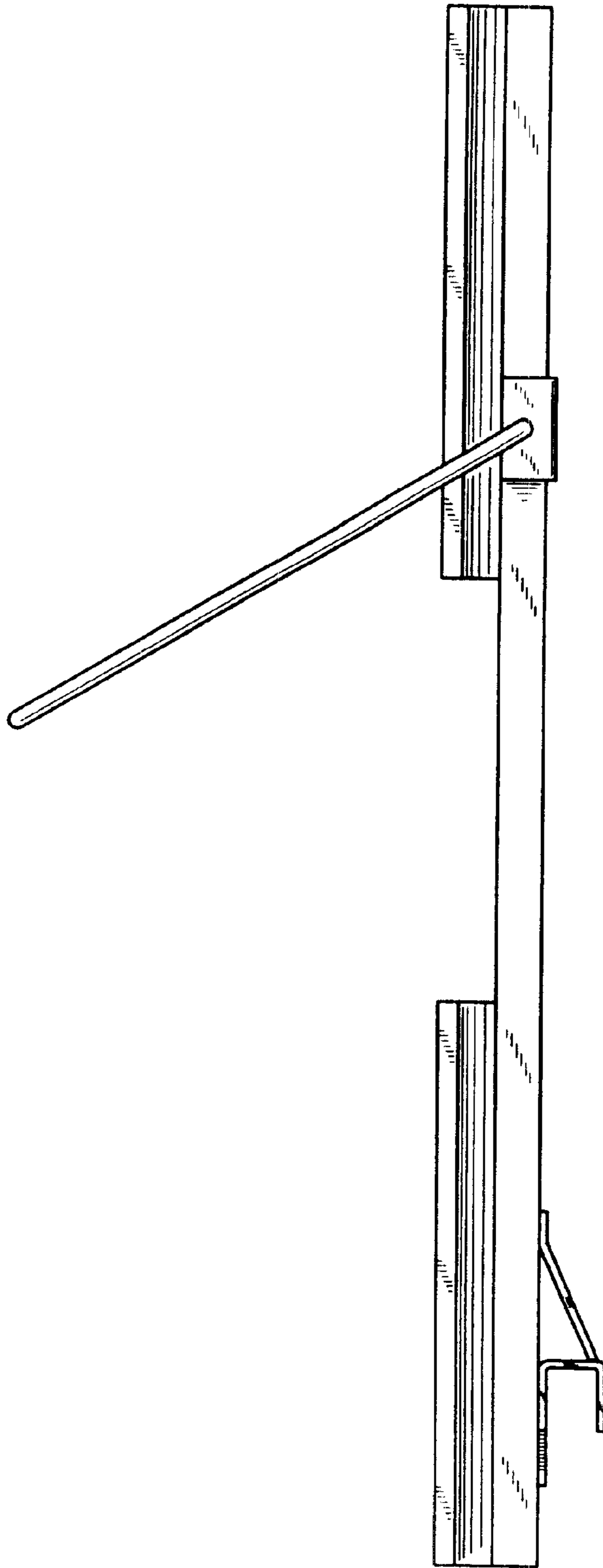


FIG. 4

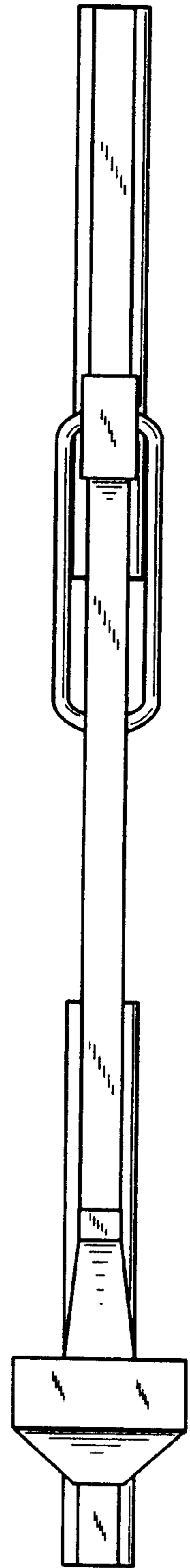


FIG. 5

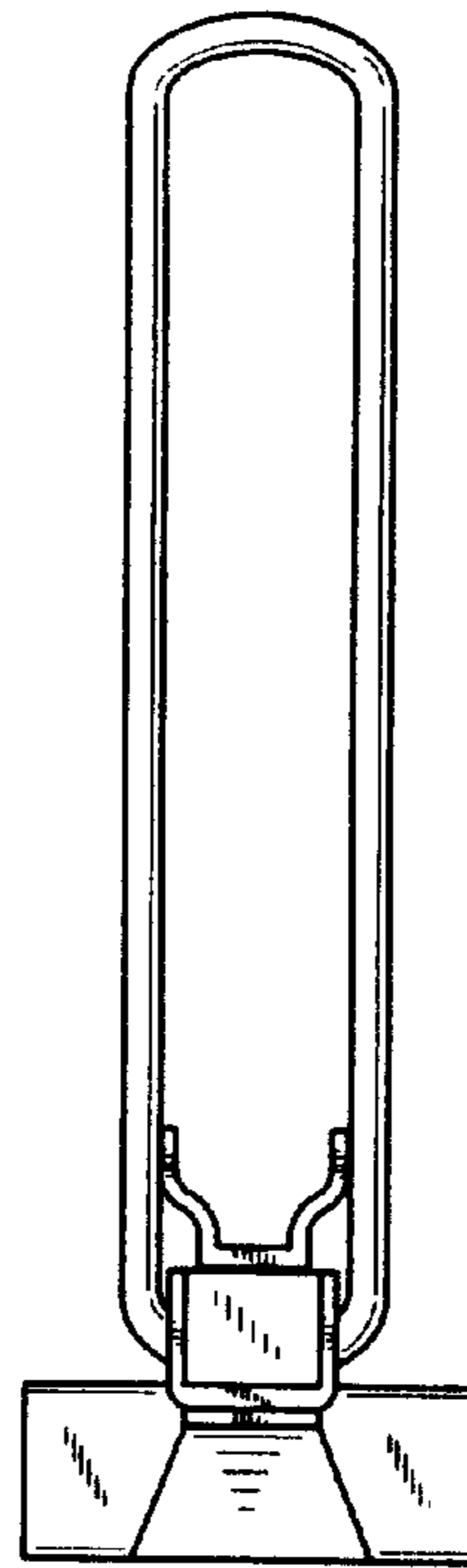


FIG. 6

