



US00D467219S

(12) **United States Design Patent**
Peschmann

(10) **Patent No.:** **US D467,219 S**

(45) **Date of Patent:** **** Dec. 17, 2002**

- (54) **HORIZONTAL BICYCLE RACK**
- (75) Inventor: **Joseph J. Peschmann**, Plover, WI (US)
- (73) Assignee: **Fulton Performance Products, Inc.**,
Mosinee, WI (US)
- (**) Term: **14 Years**
- (21) Appl. No.: **29/149,066**
- (22) Filed: **Oct. 2, 2001**
- (51) **LOC (7) Cl.** **12-16**
- (52) **U.S. Cl.** **D12/408**
- (58) **Field of Search** D12/408, 412;
224/495, 500-532, 309, 310, 311, 924,
402-405, 488, 489, 496-497; 414/462;
211/17-22

- 5,377,886 A 1/1995 Sickler
- 5,497,927 A 3/1996 Peterson
- 5,699,985 A 12/1997 Vogel
- 6,019,266 A 2/2000 Johnson

* cited by examiner

Primary Examiner—Alan P. Douglas

Assistant Examiner—Linda Brooks

(74) *Attorney, Agent, or Firm*—King & Schickli, PLLC

(57) **CLAIM**

The ornamental design for a horizontal bicycle rack, as shown and described.

DESCRIPTION

FIG. 1 is a perspective view of the horizontal bicycle rack of the present invention;
 FIG. 2 is a rear elevational view thereof;
 FIG. 3 is a front elevational view thereof;
 FIG. 4 is a left side elevational view thereof;
 FIG. 5 is a right side elevational view thereof;
 FIG. 6 is a top plan view thereof; and,
 FIG. 7 is a bottom plan view thereof.

(56) **References Cited**

U.S. PATENT DOCUMENTS

- 3,176,903 A 4/1965 Farley
- 3,794,227 A 2/1974 Stearns
- 3,912,139 A * 10/1975 Bowman 211/22

1 Claim, 4 Drawing Sheets

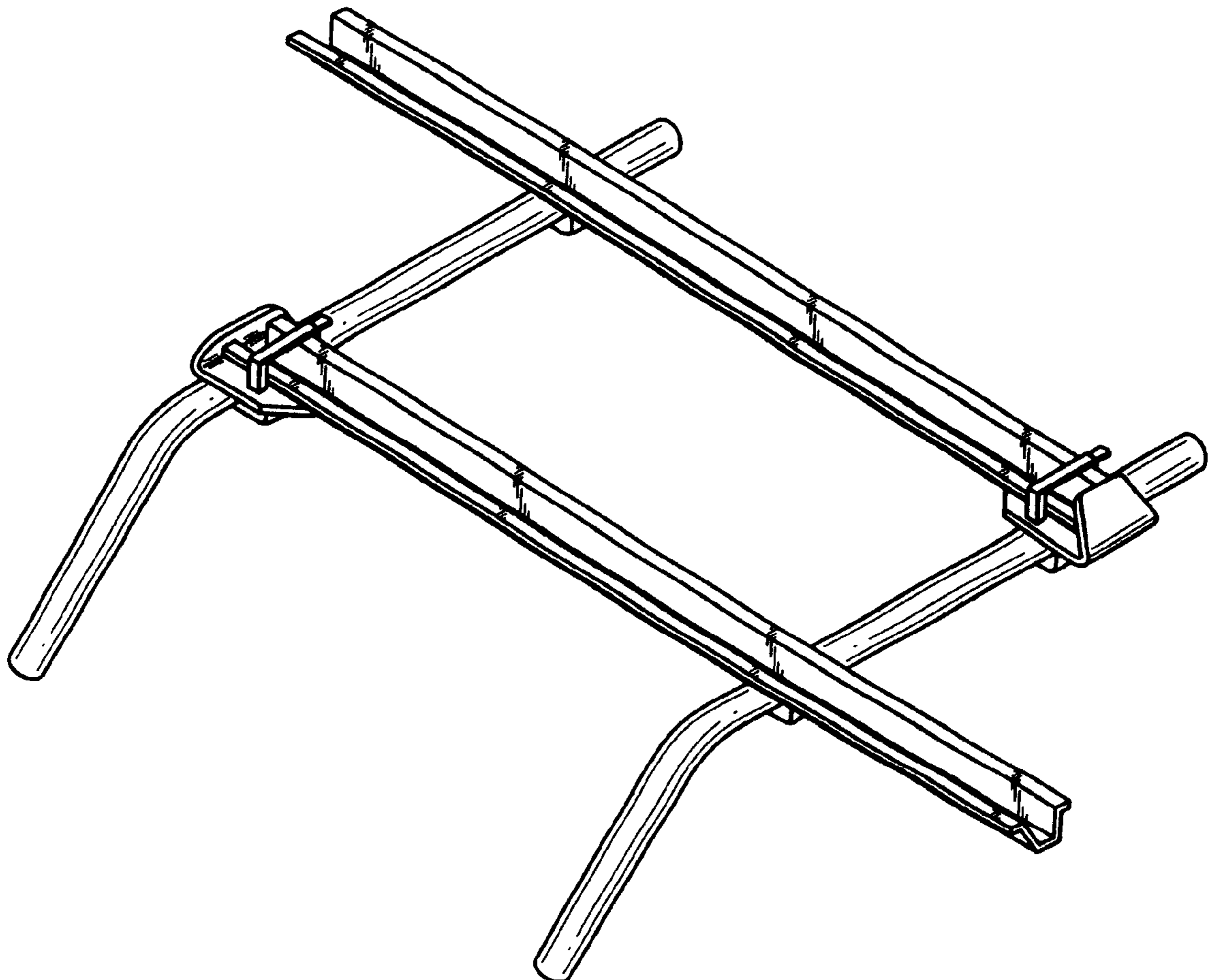


FIG. 1

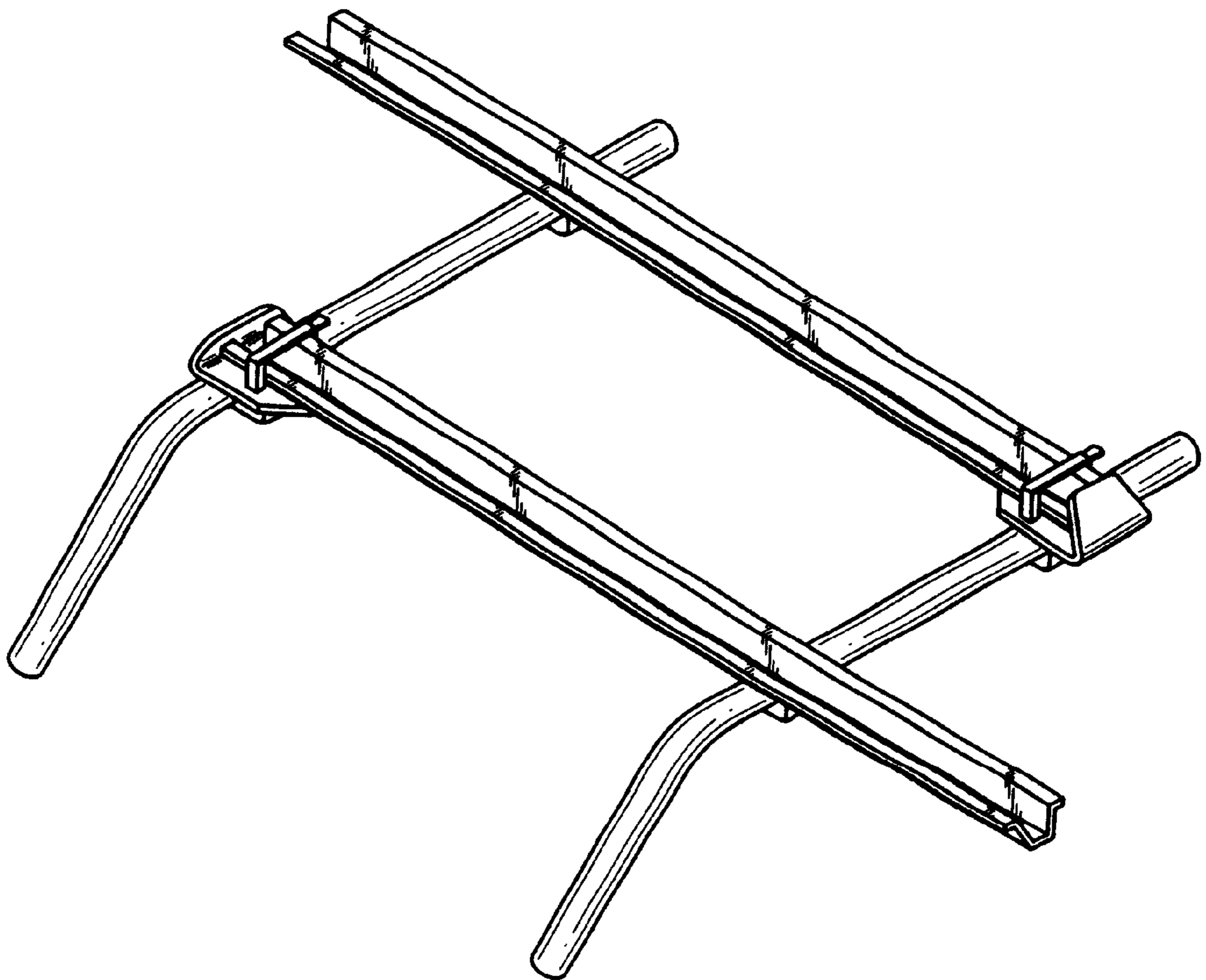


FIG. 2

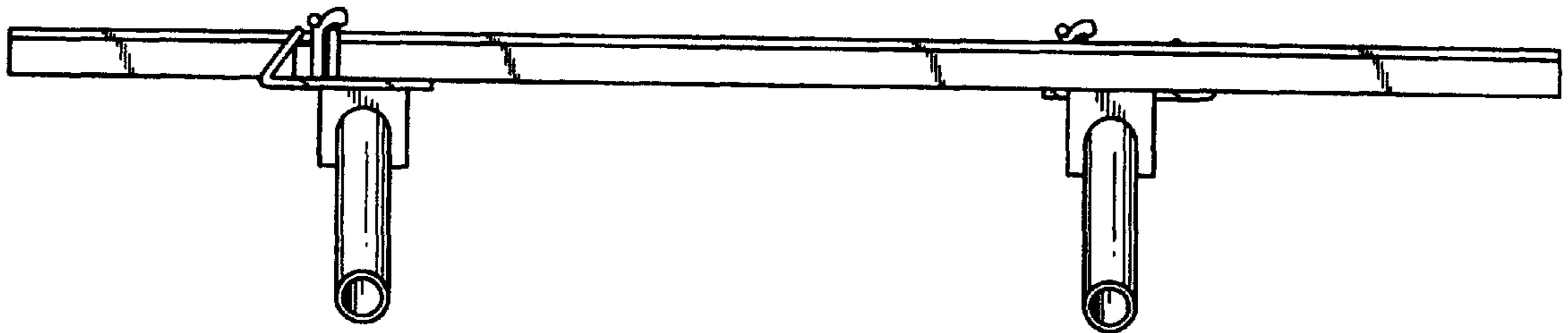


FIG. 3

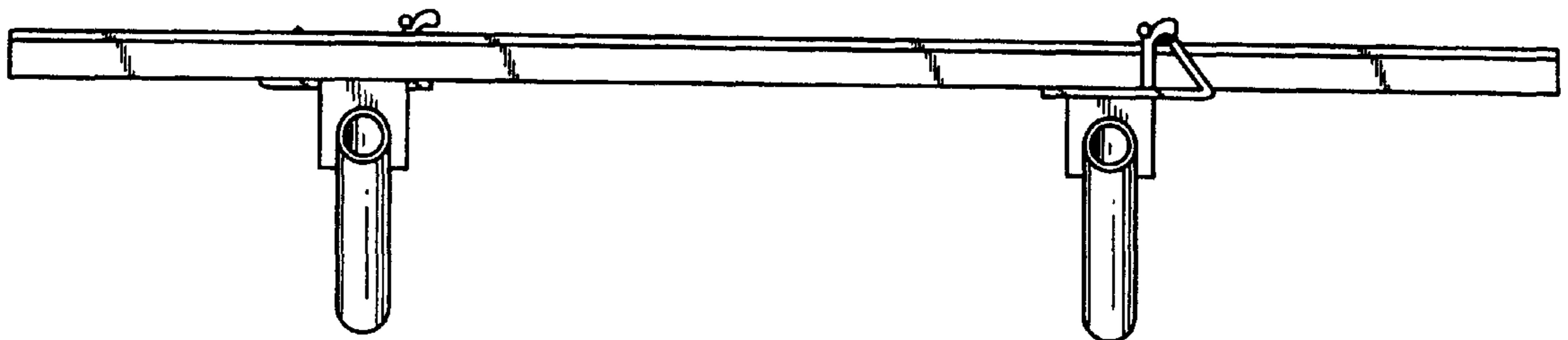


FIG. 4

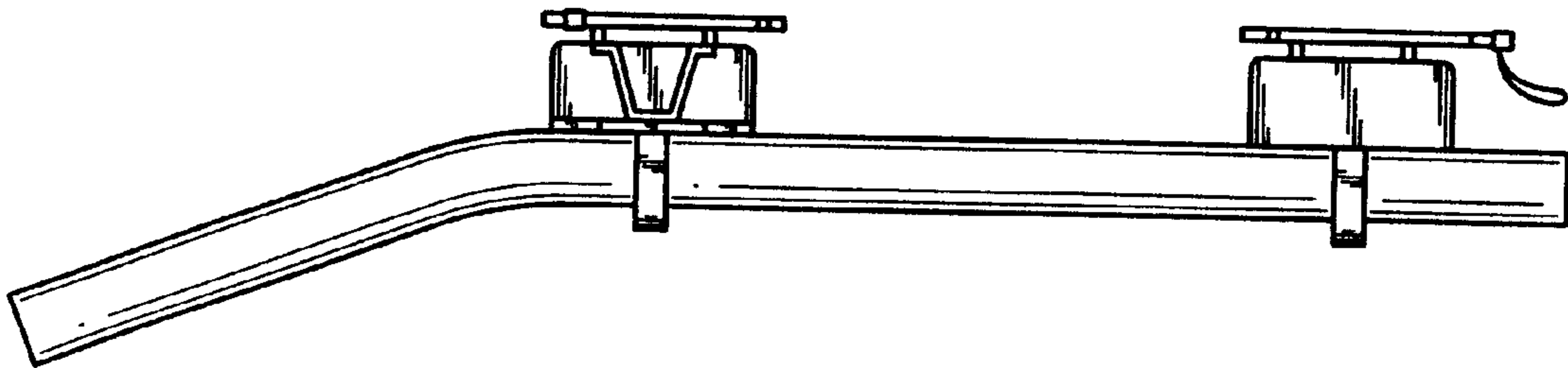


FIG. 5

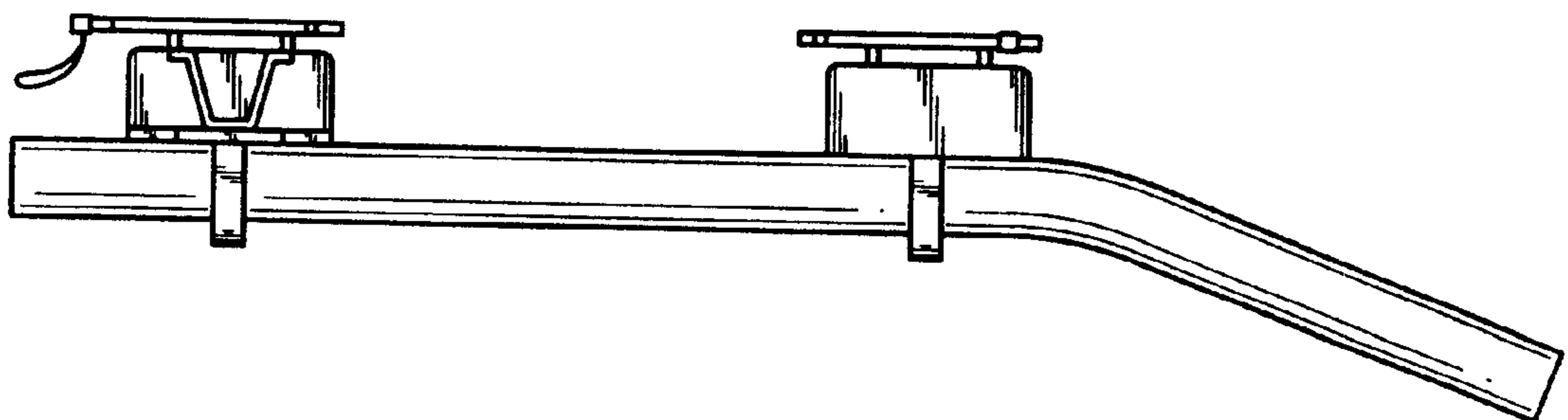


FIG. 6

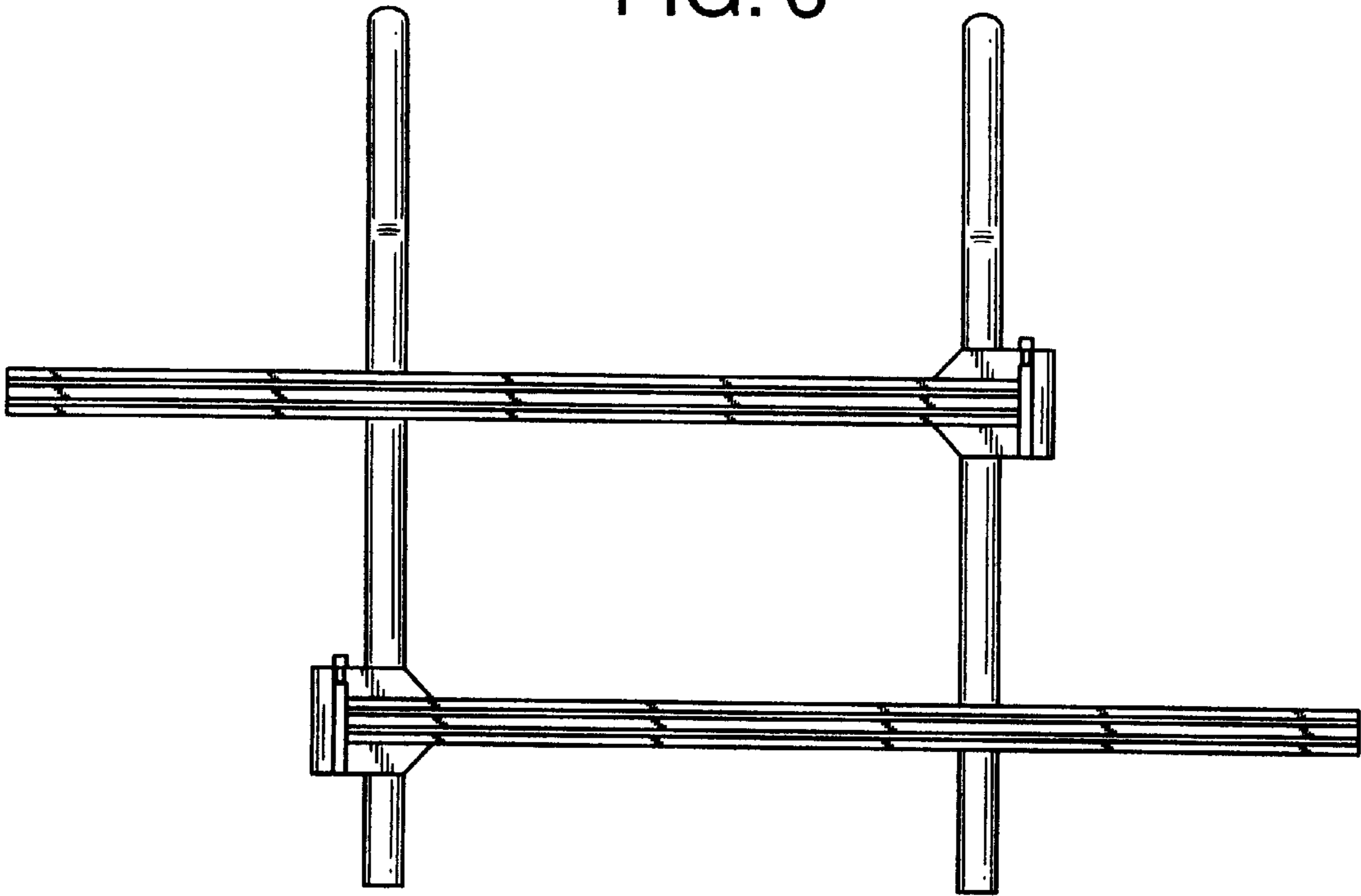


FIG. 7

