



US00D467217S

(12) **United States Design Patent**
Andreyko

(10) **Patent No.:** **US D467,217 S**

(45) **Date of Patent:** **** Dec. 17, 2002**

(54) **AIRPLANE**

D458,577 S * 6/2002 Han D12/319

(76) **Inventor:** **Michael J. Andreyko**, P.O. Box 30215,
Cincinnati, OH (US) 45230

* cited by examiner

(**) **Term:** **14 Years**

Primary Examiner—Marcus A. Jackson
(74) *Attorney, Agent, or Firm*—Neal O. Willmann

(21) **Appl. No.:** **29/156,220**

(57) **CLAIM**

(22) **Filed:** **Feb. 27, 2002**

The ornamental design for an airplane, as shown and described.

(51) **LOC (7) Cl.** **12-12**

DESCRIPTION

(52) **U.S. Cl.** **D12/319**

(58) **Field of Search** D12/319-345;
244/45 A, 45 R, 13, 15, 91, 198, 120, 218,
211

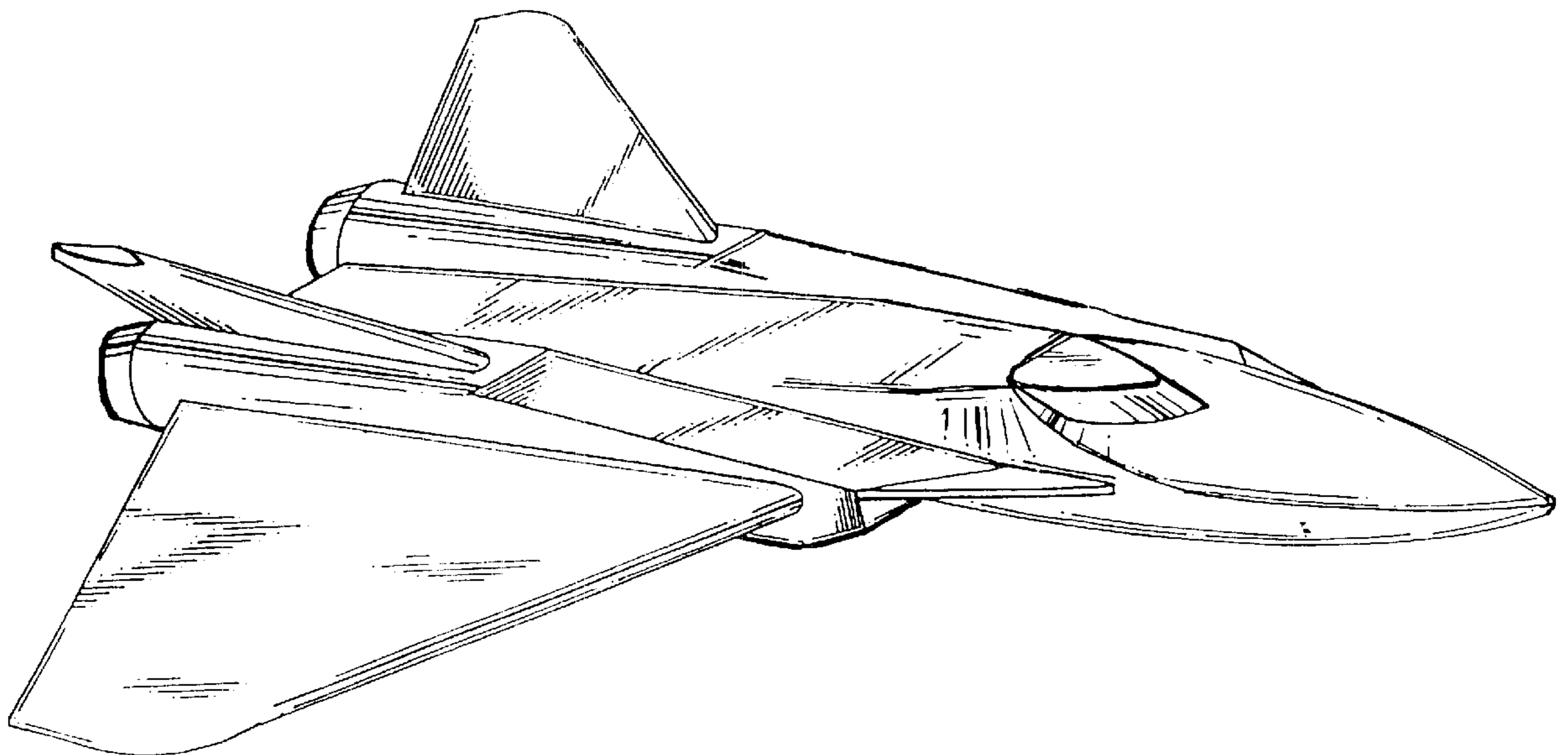
FIG. 1 is an elevated side view, both sides being identical, of an airplane showing my new design;
FIG. 2 is a top plan view thereof;
FIG. 3 is a bottom plan view thereof;
FIG. 4 is an elevated front view thereof;
FIG. 5 is an elevated rear view thereof; and,
FIG. 6 is an elevated perspective view thereof.

(56) **References Cited**

U.S. PATENT DOCUMENTS

D399,816 S * 10/1998 Peacock D12/319
D417,184 S * 11/1999 Hartmann D12/319

1 Claim, 2 Drawing Sheets



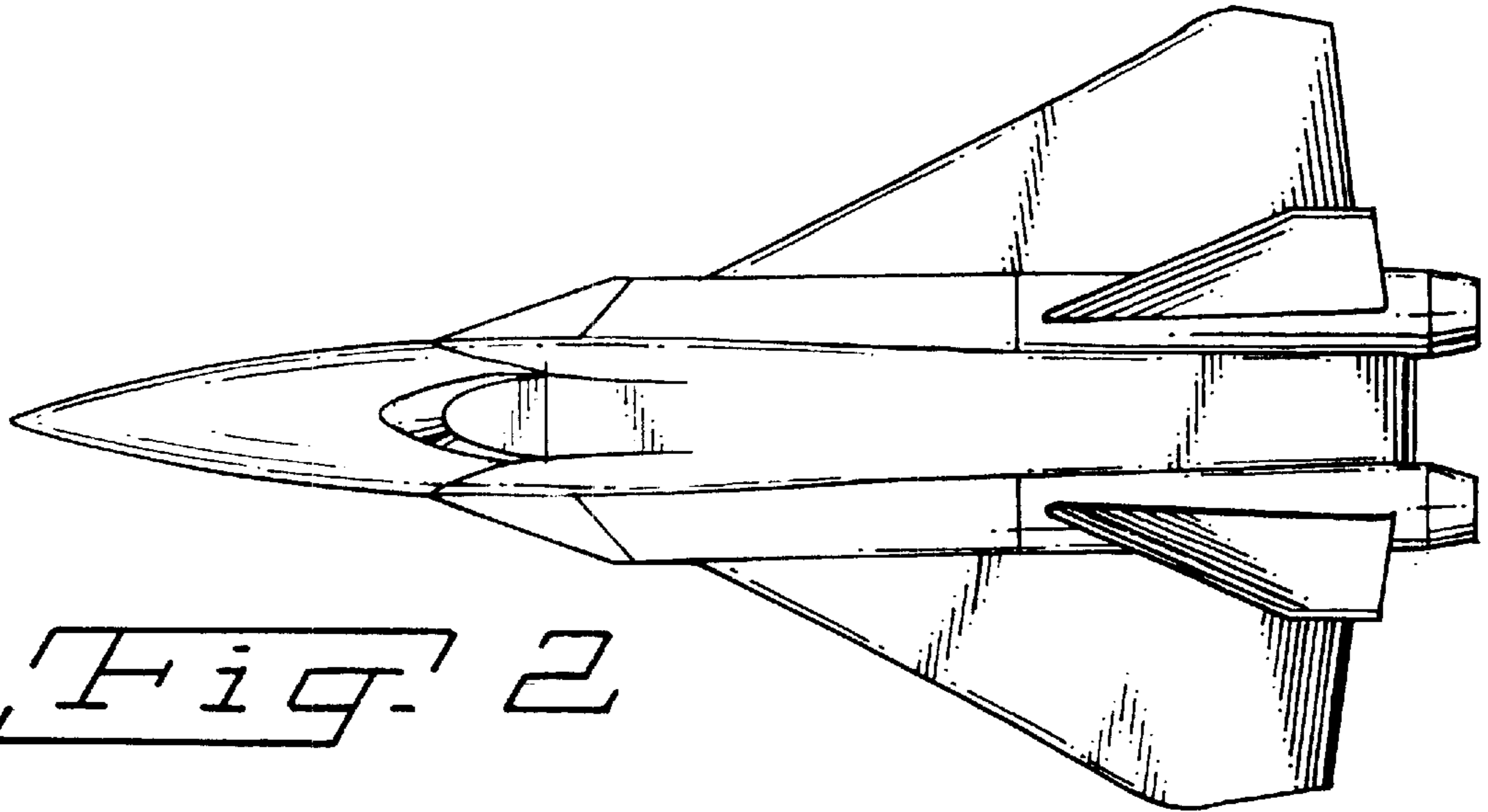


Fig. 2



Fig. 1

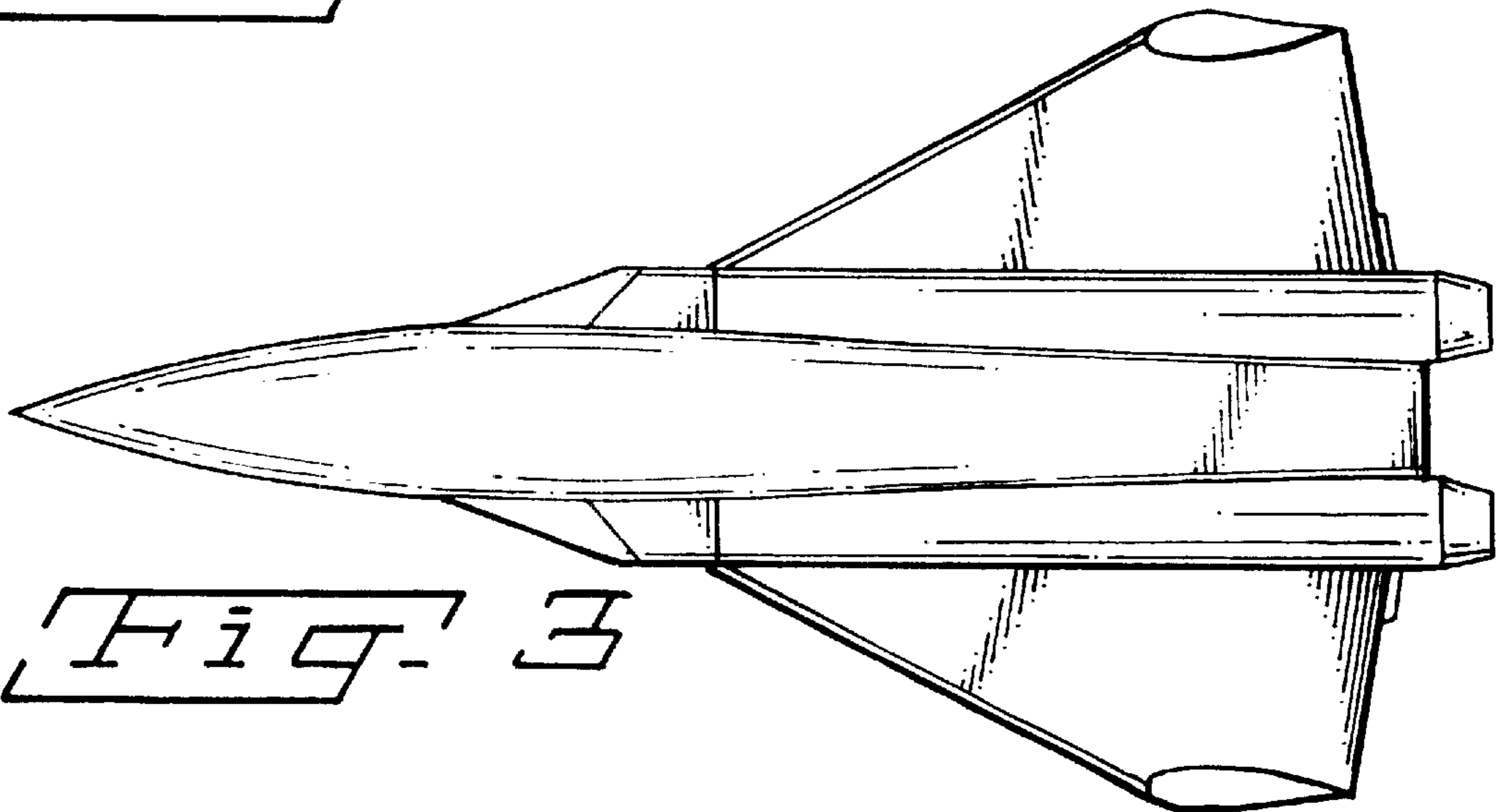


Fig. 3

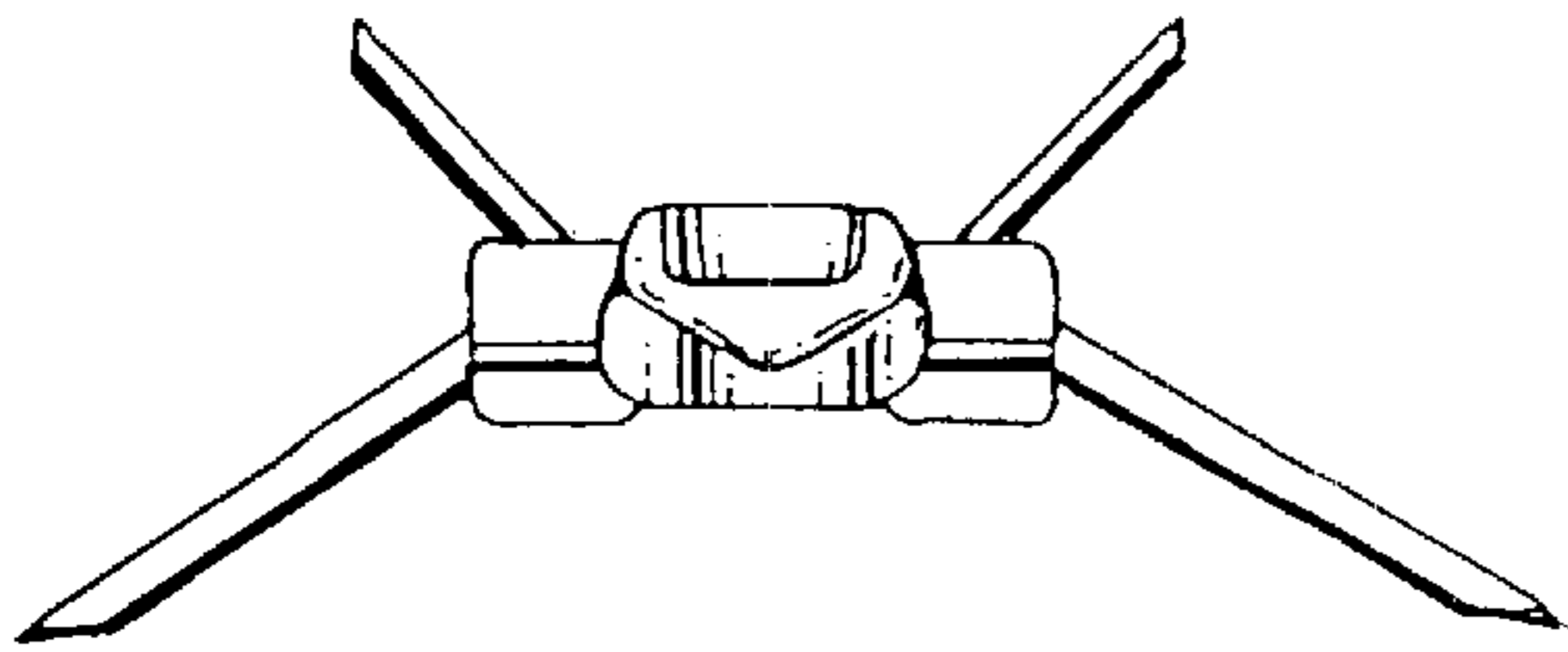


Fig. 4

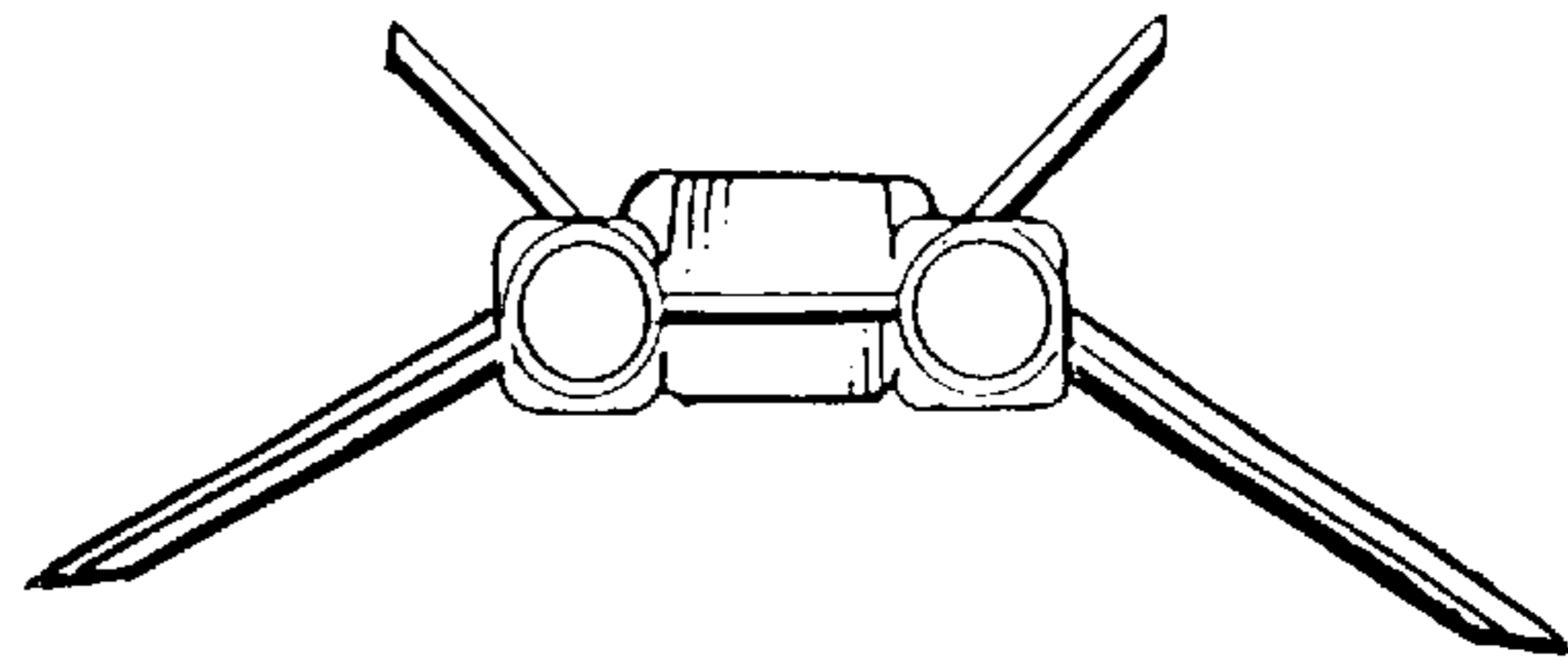


Fig. 5

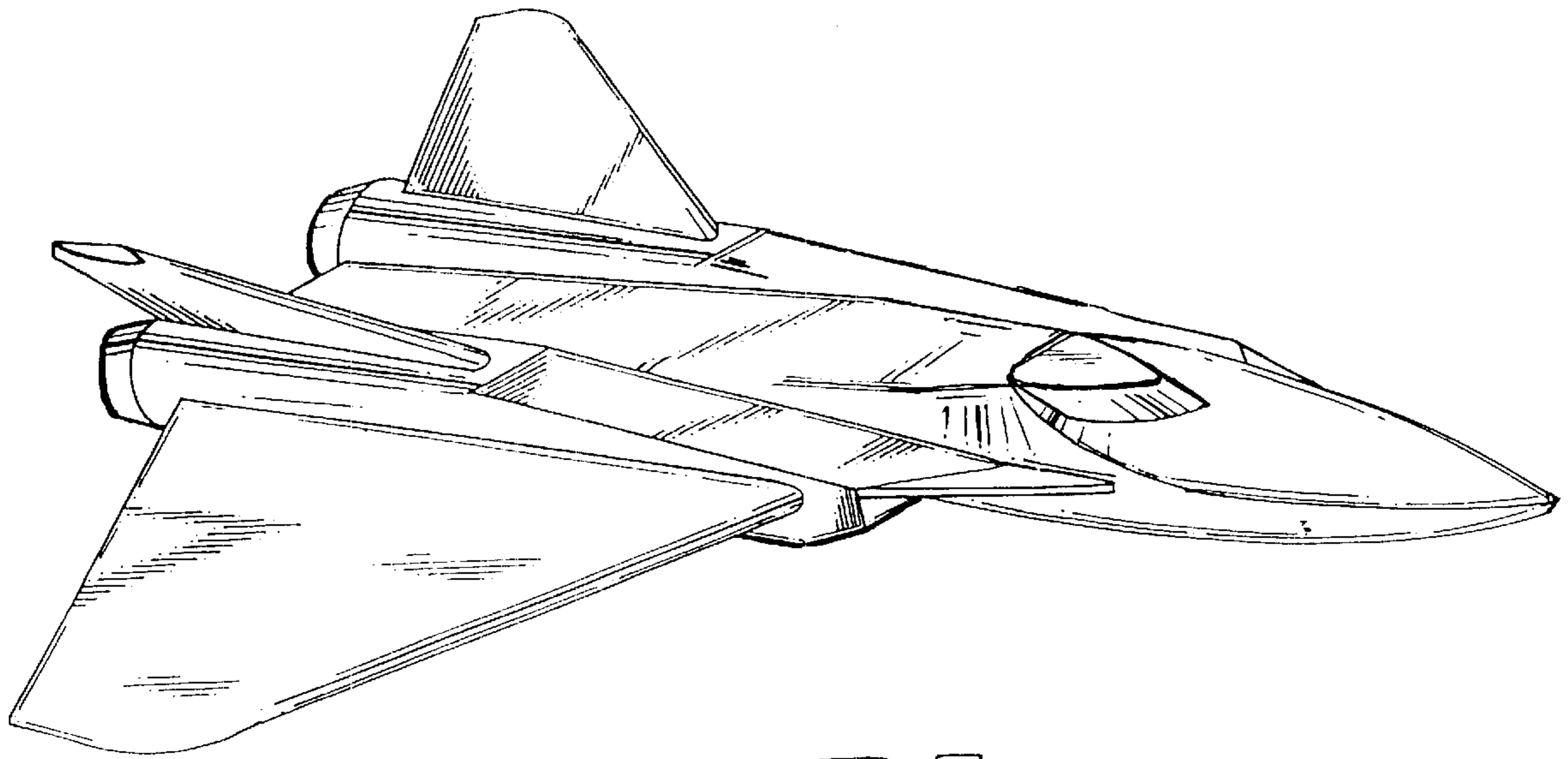


Fig. 6